

MS990700TX

“Remington” TV/Media Stand-
Mission Oak Finish

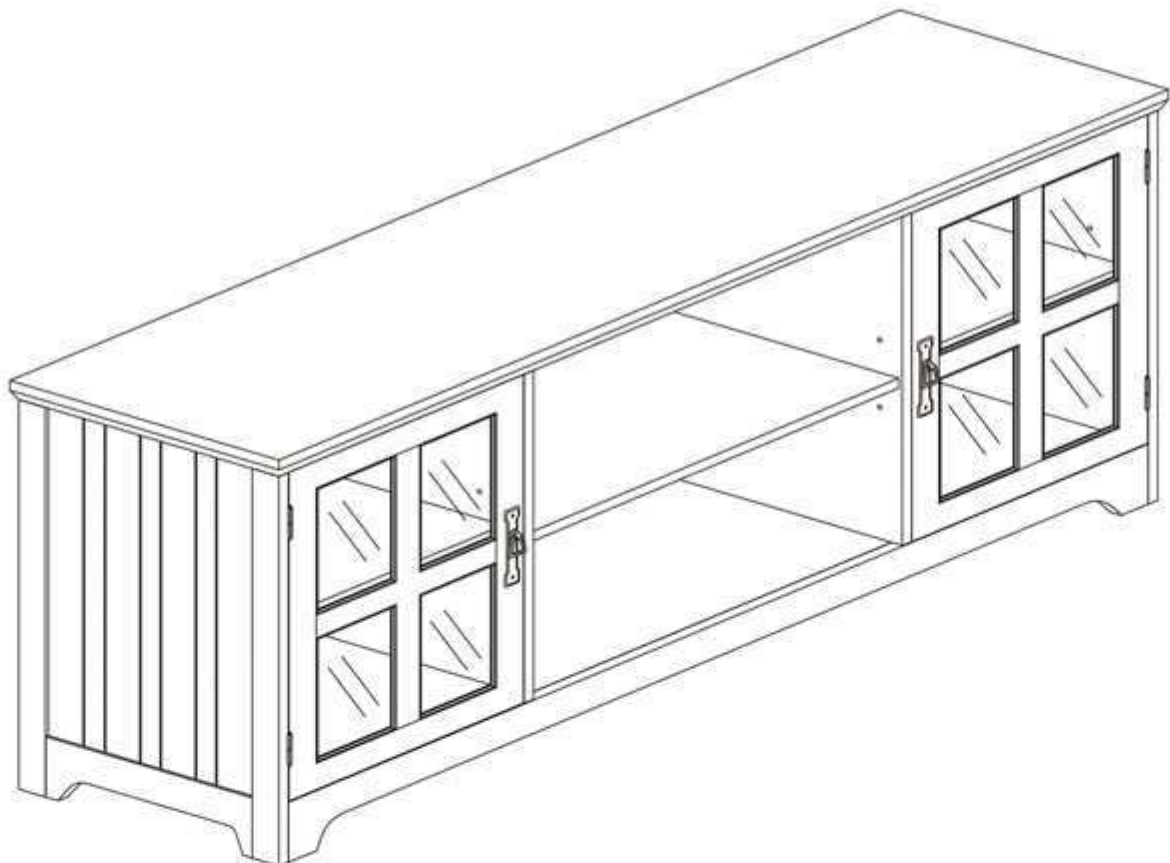
Assembly Instructions



Southern
ENTERPRISES

For assistance with assembly contact:
Southern Enterprises Inc.
Customer Service 1-800-633-5096
service@seidal.com
www.seidal.com

PO:11283



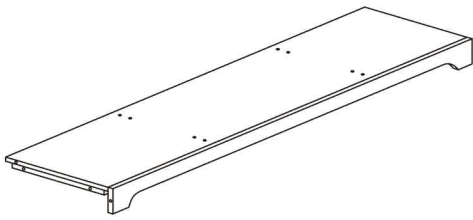
"Remington" TV/Media Stand Parts List

Please review all parts and hardware before disposing of any packaging.

Call Customer Service if missing hardware.

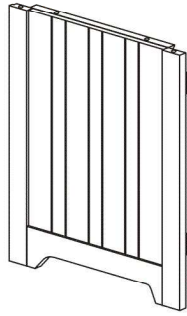
Before beginning assembly, separate each type of hardware. Carefully study the hardware diagrams below. You may receive extra hardware with your unit

A Quantity of 1



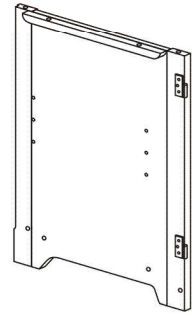
Bottom Panel

B Quantity of 1



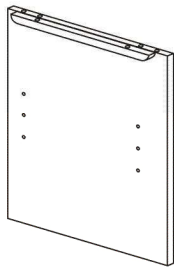
Left Side Panel

C Quantity of 1



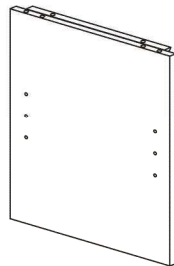
Right Side Panel

D Quantity of 1



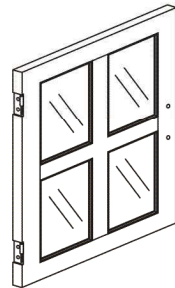
Left Middle Panel

E Quantity of 1



Right Middle Panel

F Quantity of 1



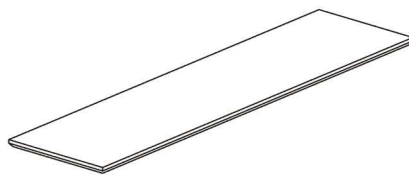
Left Door

G Quantity of 1



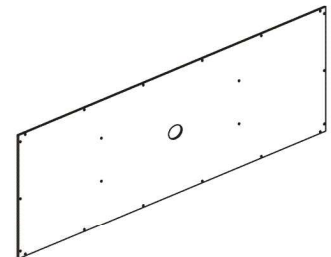
Right Door

H Quantity of 1



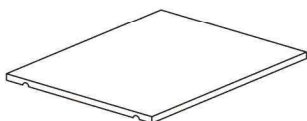
Top Panel

I Quantity of 1



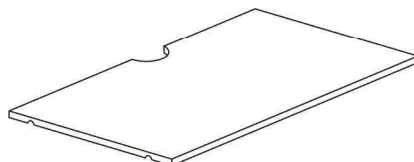
Back Panel

J Quantity of 2



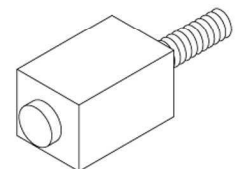
Side Adjustable Shelf

K Quantity of 1



Middle Adjustable Shelf

L Quantity of 1




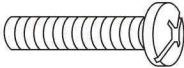






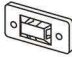
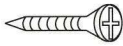

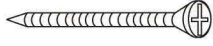


Support leg

"Remington" TV/Media Stand Parts List

Please review all parts and hardware before disposing of any packaging.

Call Customer Service if missing hardware.

Before beginning assembly, separate each type of hardware. Carefully study the hardware diagrams below. You may receive extra hardware with your unit

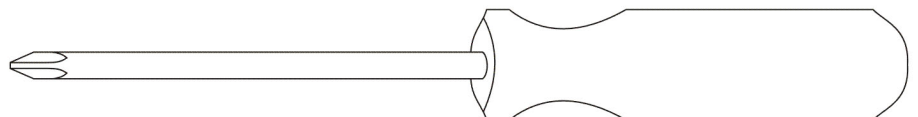
<p>(1) Quantity of 16</p>  <p>8mm x 30 mm Wood Dowel</p>	<p>(2) Quantity of 16</p>  <p>1/4" x 1" Bolt</p>	<p>(3) Quantity of 2</p>  <p>Handle</p>
<p>(4) Quantity of 4</p>  <p>5/32" x 15mm Bolt For Handle</p>	<p>(5) Quantity of 2</p>  <p>Magnet</p>	<p>(6) Quantity of 4</p>  <p>3.5mm x 15 mm Screw For Magnet</p>
<p>(7) Quantity of 22</p>  <p>3.5mm x 12 mm Screw For Back</p>	<p>(8) Quantity of 12</p>  <p>Metal Pin</p>	<p>(9) Quantity of 4</p>  <p>Bracket</p>
<p>(10) Quantity of 4</p>  <p>3.5mm x 15 mm Screw For Bracket</p>	<p>(11) Quantity of 4</p>  <p>Plastic Anchor</p>	<p>(12) Quantity of 4</p>  <p>7mm x 38mm Screw For Wall</p>
<p>(13) Quantity of 2</p>  <p>Plastic Chain</p>	<p>(14) Quantity of 16</p>  <p>Washer</p>	

Care and Cleaning Instructions:

Before using, wipe with a clean, dry cloth. Periodically apply furniture wax to renew the finish. Avoid rubbing or scratching the surface with rough or abrasive objects.

For replacement parts or questions, please call Customer Service at 1-800-633-5096. Please call manufacturer for assistance, questions or parts.

Assembly Tool Required
No. 2 Phillips Screwdriver
(Not Included)



"Remington" TV/Media Stand Assembly Instructions

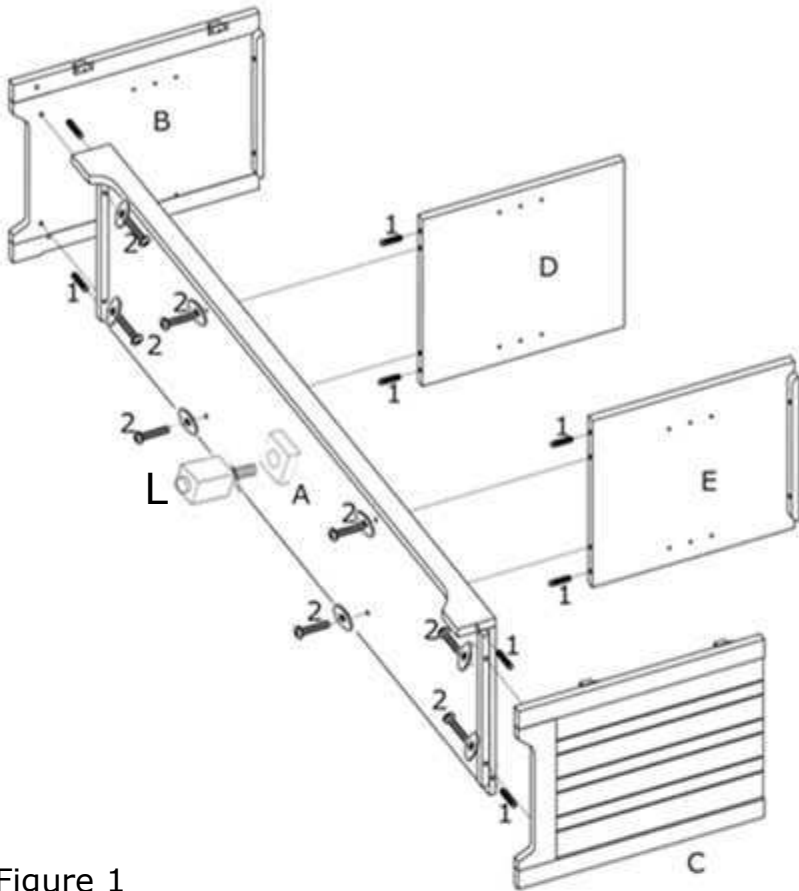




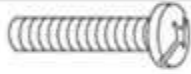
Figure 1

Assembly Instructions:

Wood may scratch easily. Be careful when assembling. Do not scratch.

- Step 1. Unpack and lay parts on clean, padded surface like carpet or blanket. Check that you have all parts indicated on the front page.
- Step 2. Put the Bottom Panel (A) on the soft working surface.
- Step 3. Insert the Wood Dowels (1) into predrilled holes in Bottom Panel (A) and Middle Panel (D,E).
- Step 4. Attach the Side Panels(B,C) and Middle Panels(D,E) to the Bottom Panel(A) with Bolt(2) and Washer (14) , then fasten them.

Step 5, Attach support leg (L) to bottom panel(A) by hand

(1)	 8mm x 30 mm Wood Dowel	Quantity of 8
(14)	 Washer	Quantity of 8
(2)	 1/4" x 1" Bolt	Quantity of 8

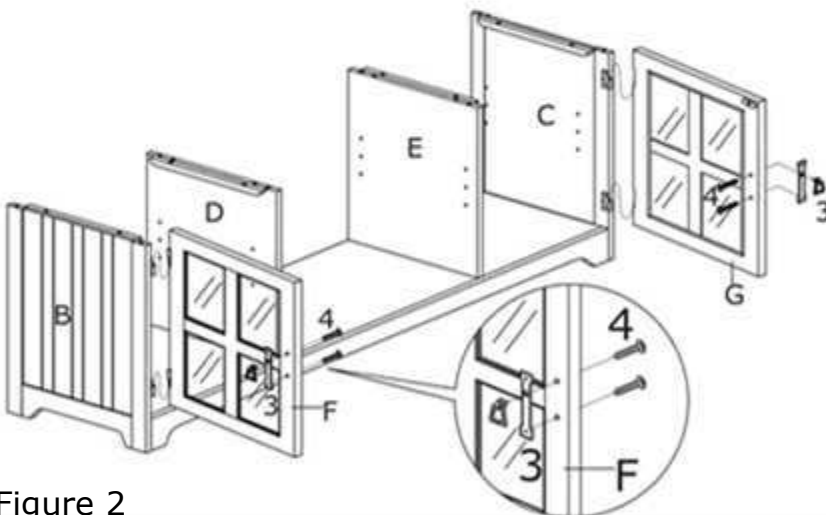


Figure 2

- Step 1. Attach the Left Door (F) to the Left Side Panel (B) and Right Door(G) to the Right Side Panel(C).
- Step 2. Attach Handle (3) to Doors (F,G) with Bolt For Handle (4).

(3)	 Handle	Quantity of 2
(4)	 5/32" x 15mm Bolt For Handle	Quantity of 4

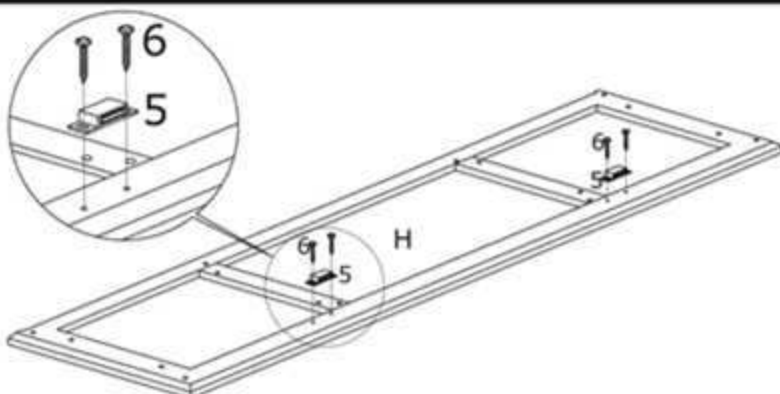




Figure 3

- Step 1. Put the Top Panel (H) on the soft working surface.
- Step 2. Attach Magnet (5) to the Top Panel (H) using Screw for Magnet(6).

(5)	 Magnet	Quantity of 2
(6)	 3.5mm x 15mm Screw For Magnet	Quantity of 4

"Remington" TV/Media Stand Assembly Instructions

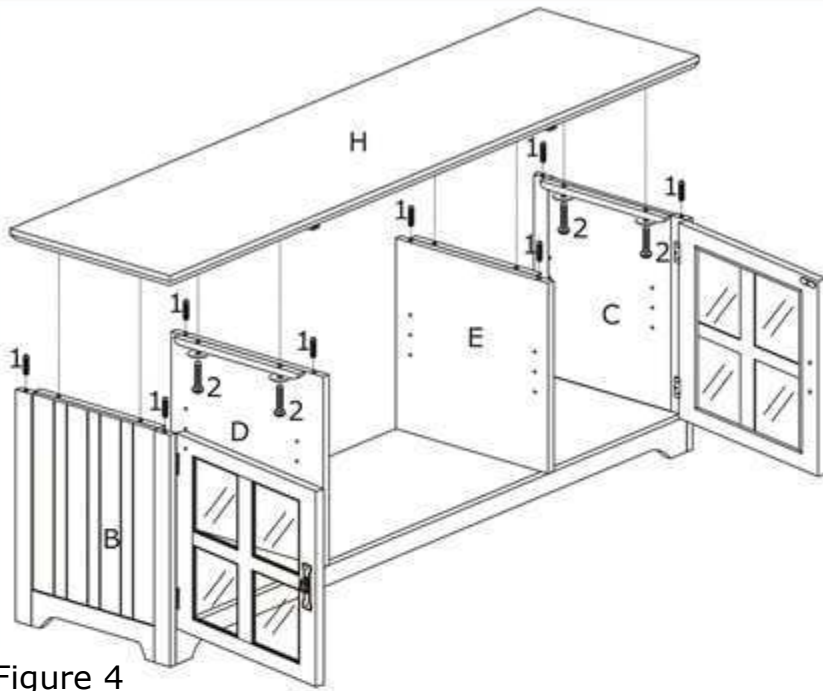


Figure 4

Step 1. Insert Wood Dowels (1) into predrilled holes in Side Panels (B,C) and Middle Panels (D,E).

Step 2. Attach the Top Panel (H) to Side Panels (B,C) and Middle Panels (D,E) using Bolt (2) and Washer (14) .

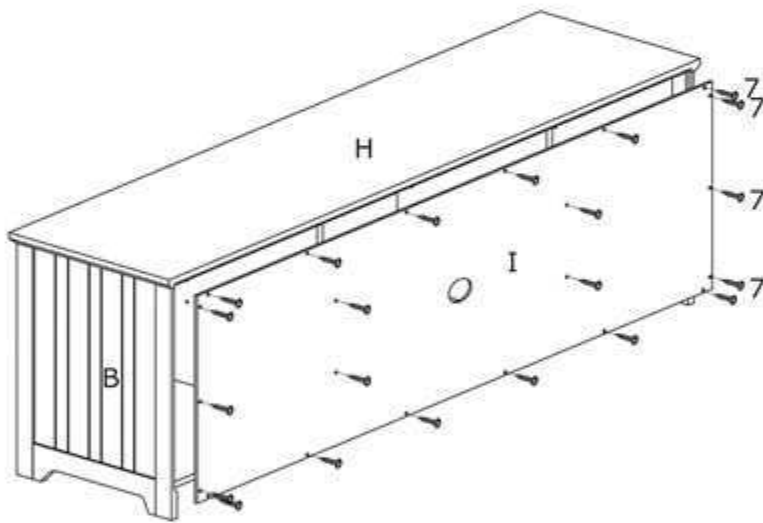
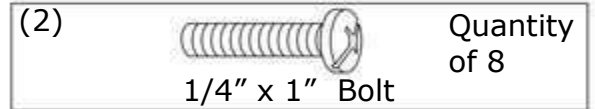
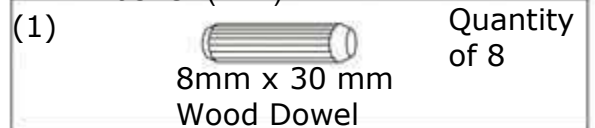


Figure 5

Step 1. Insert Back Panel (I) into grooves of side panels(B,C), Top Panel (H) and Bottom Panel (A) using Screw For Back (7) and tighten.

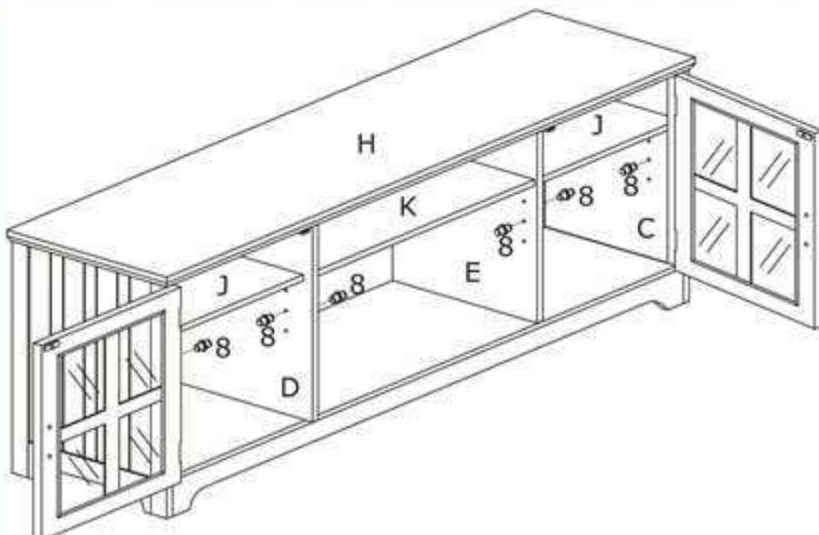


Figure 6

Step 1. Insert metal Pin (8) into desired holes on inner Side of Panels (B,C) and Middle Panel (D,E).

Step 2. Place Adjustable Shelf (J,K) on Metal Pins(8) in each section.



"Remington" TV/Media Stand Assembly Instructions

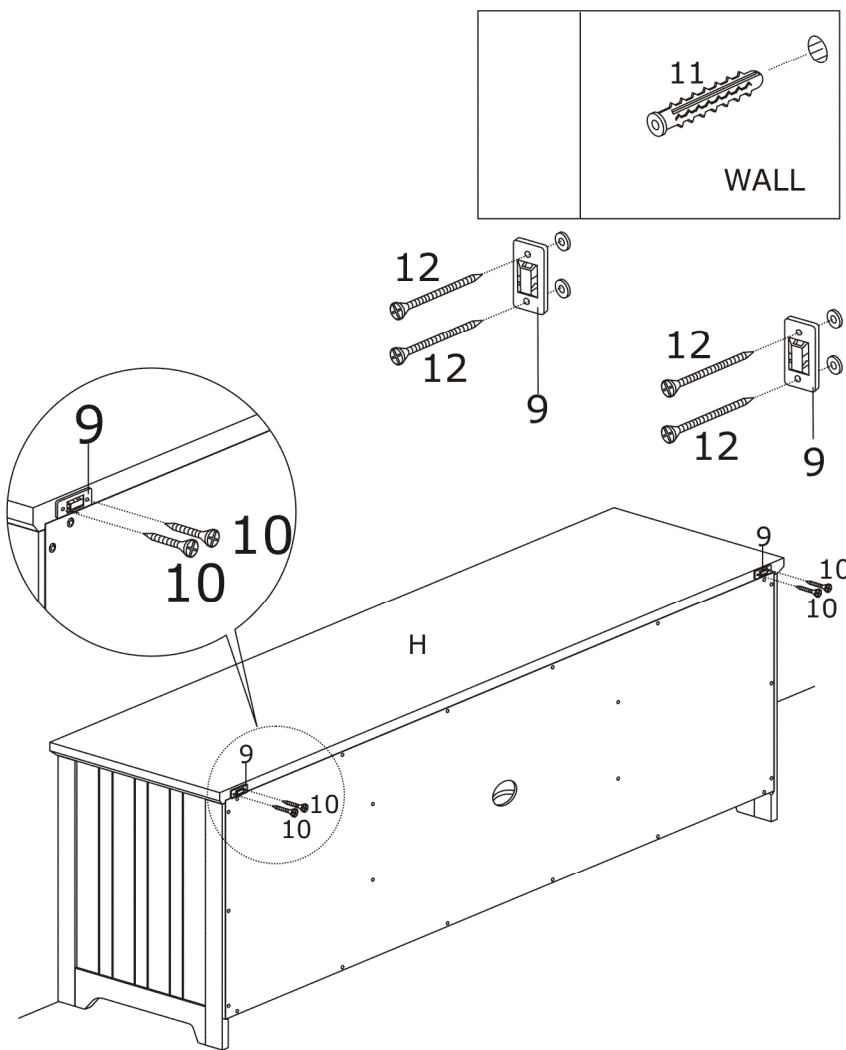
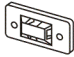


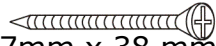


Figure 7

Step 1. Attach Bracket (9) on the back side of Top Panel (H) using Screw For Bracket(10).

Step 2. Drill 3/16" dia pilot holes on wall near proximity of Bracket(9). Insert Plastic Anchor (11) into wall; You may Need to use a hammer to tap them gently.

Step 3. Fasten Bracket(9) using Screw For Wall(12) into the Plastic Anchor(11).

(9)	 Bracket	Quantity of 4
(10)	 3.5mm x 15 mm Screw For Bracket	Quantity of 4
(11)	 Plastic Anchor	Quantity of 4
(12)	 7mm x 38 mm Screw For Wall	Quantity of 4

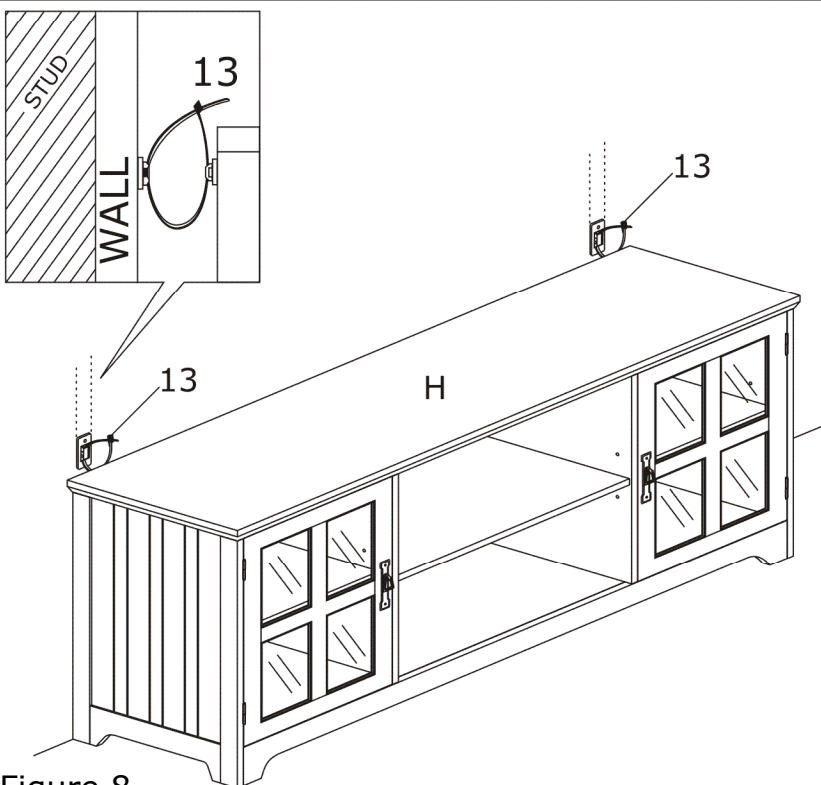



Figure 8

Step 1. With an assistant move this item closed to the fastened wall Bracket (9), insert and fasten Plastic Chain (13) through both brackets as shown in diagram to secure the unit.

Repeat above procedure to secure the other side.

(13)	 Plastic Chain	Quantity of 2
------	--	---------------

Parts Replacement Form

Customer Information

Name _____

Address _____

City/State/Zip Code _____

Phone Number _____

Please indicate where you purchased this item: Store/Website/Catalog

Please indicate color/size/style number:

Style No	Parts Letter	Parts Description	Quantity Needed
----------	--------------	-------------------	-----------------

Please immediately examine this product carefully. Any request for missing parts or damage replacement must be received within 90 days of your receipt of the product. Replacement, if available, will be honored within this time frame. Parts will not be available for items arriving fully assembled. We do not recommend modifying product(s) and we are not responsible for any damages due to product modification(s). If damages or missing parts are not reported within 90 days of your receipt, we are under no obligation to provide parts or replacement merchandise.

Please contact Southern Enterprises at 800-633-5096 or in Dallas 972-869-0111/ 9am 4pm Mon-Fri Central time if you have product issues or email us at service@seidal.com. Please ask for customer service representative for issues involving damages or replacement parts. Please ask for technical assistance representative for any issues with product and assembly/construction.

Please contact the retailer that you purchased from for returns.

Customer Service 1-800-633-5096
service@seidal.com

Southern Enterprises, Inc.
600 Freeport Parkway, Suite 200
Coppell, Texas 75019



Southern
ENTERPRISES



CAUTION

The top shelf is intended for a flat screen television with a maximum overall width of 50" and supports up to 175 lb.

The top shelf is NOT INTENDED for tube televisions.

Each center shelf should not be loaded with more than 20 lb. Each side shelf should not be loaded with more than 15 lb.

DO NOT EXCEED RECOMMENDED LOAD. Use with products heavier than the maximum sizes and weights indicated may result in instability causing possible injury.

This unit contains a permanent warning sticker located on under side of top shelf or inside drawer.

Do not allow children under 16 years to move the cart.

Model: MS990700TX
"Remington" TV/Media Stand
Southern Enterprises, Inc
600 Freeport Parkway,
Suite 200 Coppell, Texas, 75019
Manufacture Date: 09/05/2011