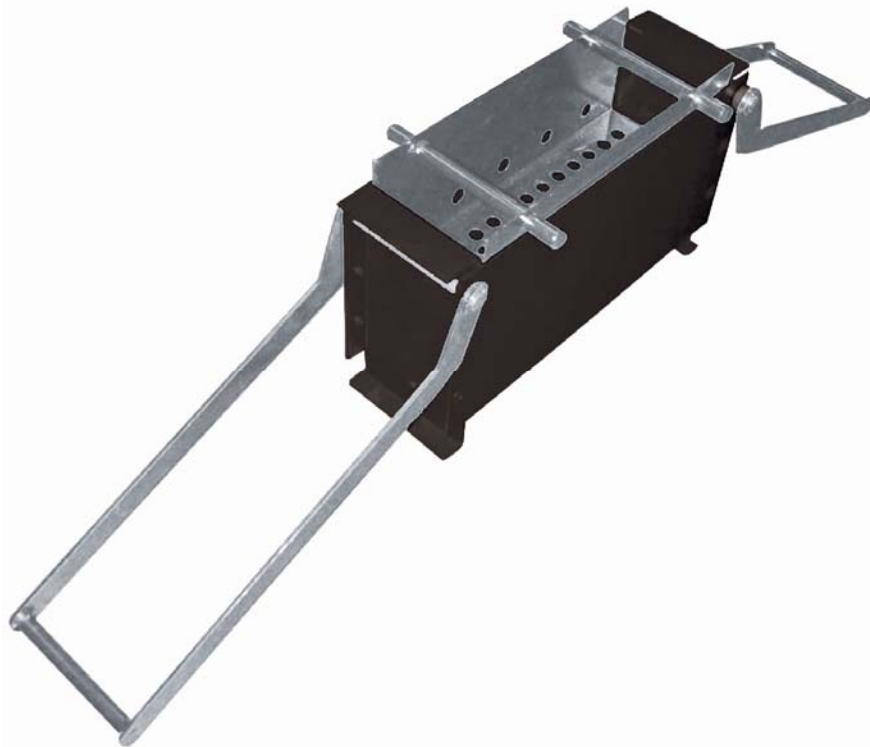





SINGLE PAPER LOG BRIQUETTE MAKER

OWNER'S MANUAL



 **WARNING:** Read carefully and understand all **INSTRUCTIONS** before operating. Failure to follow the safety rules and other basic safety precautions may result in serious personal injury.

Item # 148827

Thank you very much for choosing a NORTHERN TOOL + EQUIPMENT CO., INC. Product! For future reference, please complete the owner's record below:

Model: _____ Purchase Date: _____

Save the receipt, warranty and these instructions. It is important that you read the entire manual to become familiar with this product before you begin using it.

This machine is designed for certain applications only. Northern Tool + Equipment cannot be responsible for issues arising from modification. We strongly recommend this machine is not modified and/or used for any application other than that for which it was designed. If you have any questions relative to a particular application, DO NOT use the machine until you have first contacted Northern Tool + Equipment to determine if it can or should be performed on the product.

For technical questions please call **1-800-222-5381**.

INTENDED USE

The paper log briquette maker recycles waste paper into logs for an open fire or wood-burning stove.

TECHNICAL SPECIFICATIONS & PACKING LIST

Item	Description
Handle Material	#45 steel
Other parts material	A3 steel
Product folded size	12.20"L × 4.72"W × 7.01"H

GENERAL SAFETY RULES



WARNING: Read and understand all instructions. Failure to follow all instructions listed below may result in serious injury.



WARNING: The warnings, cautions, and instructions discussed in this instruction manual cannot cover all possible conditions or situations that could occur. It must be understood by the operator that common sense and caution are factors which cannot be built into this product, but must be supplied by the operator.

SAVE THESE INSTRUCTIONS

WORK AREA

- **Keep the work area clean**, free of clutter and well lit. Cluttered and dark work areas can cause accidents.
- **Do not use the tool where there is a risk of fire or a explosion**; e.g. in the presence of flammable liquids, gasses, or dust. Power tools create sparks, which may ignite the dust or fumes.

- **Keep children and bystanders** away while operating this tool. Distractions can cause a loss of control, so visitors should remain at a safe distance from the work area.
- **Be aware of all power lines, electrical circuits, water pipes and other mechanical hazards** in your work area, particularly those hazards below the work surface hidden from the operator's view that may be unintentionally contacted and may cause personal harm or property damage.
- **Be alert of your surroundings.** Using tools in confined work areas may put you dangerously close to cutting tools and rotating parts.

PERSONAL SAFETY

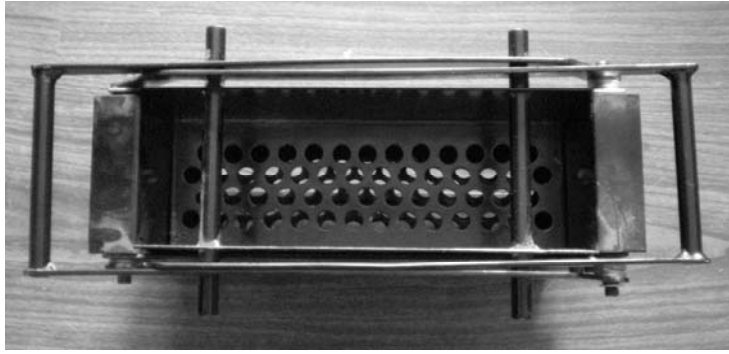
- **Stay alert.** Watch what you are doing and use common sense when operating this tool. Do not use this tool while you are tired or under the influence of drugs, alcohol or medication. A moment of inattentiveness while operating may result in serious personal injury.
- **Dress properly.** Do not wear loose clothing, dangling objects, or jewelry. Keep your hair, clothing and gloves away from moving parts. Loose clothes, jewelry or long hair can be caught in moving parts. Air vents often cover moving parts and should be avoided.
- **Use safety apparel and equipment.** Use safety goggles or safety glasses with side shields which comply with current national standards, or when needed, a face shield. Use a dust mask in dusty work conditions. This applies to all persons in the work area. Also wear non-skid safety shoes, a hardhat, gloves, dust collection systems and hearing protection when appropriate.
- **Do not overreach.** Keep proper footing and balance at all times.

TOOL USE AND CARE

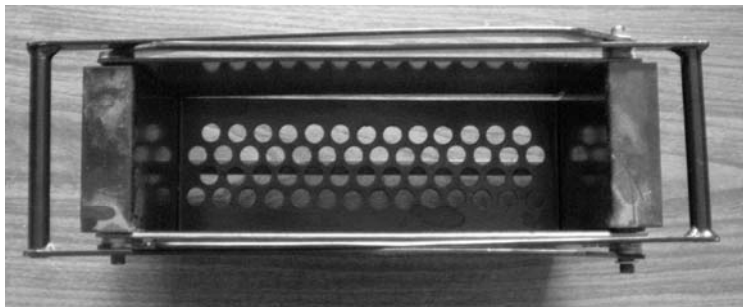
- **Do not force the tool.** Tools do a better and safer job when used in the manner for which they are designed. Plan your work, and use the correct tool for the job.
- **Secure your work** with clamps or a vise when practical. This safety precaution allows for proper tool operation using both hands.
- **Store idle tools.** When tools are not in use, store them in a dry, secure place out of the reach of children. Inspect your tools for good working condition prior to storage and before re-use.
- **Use only accessories that are recommended** by the manufacturer for your model. Accessories that may be suitable for one tool may create a risk of injury when used on another tool.
- **Keep guards in place** and in working order.

OPERATION

- Step one: Take out the single paper log briquette maker from the box.



- Step two: Remove the squeezer.



- Step three: Fill a pan or bucket with water.



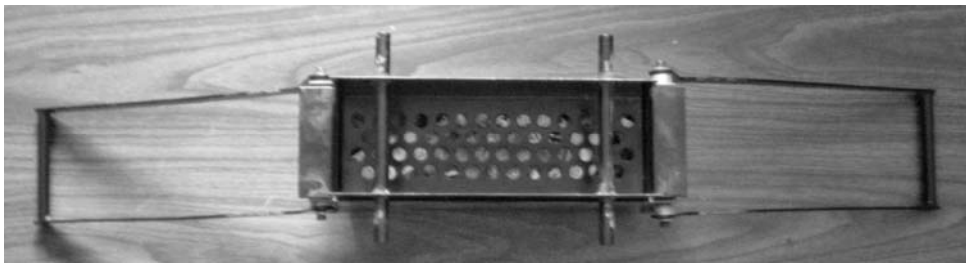
- Step four: Shred the paper and add it to the water. The paper should be thoroughly soaked. (You may want to allow the paper to soak for a few days to break down the fibers.)



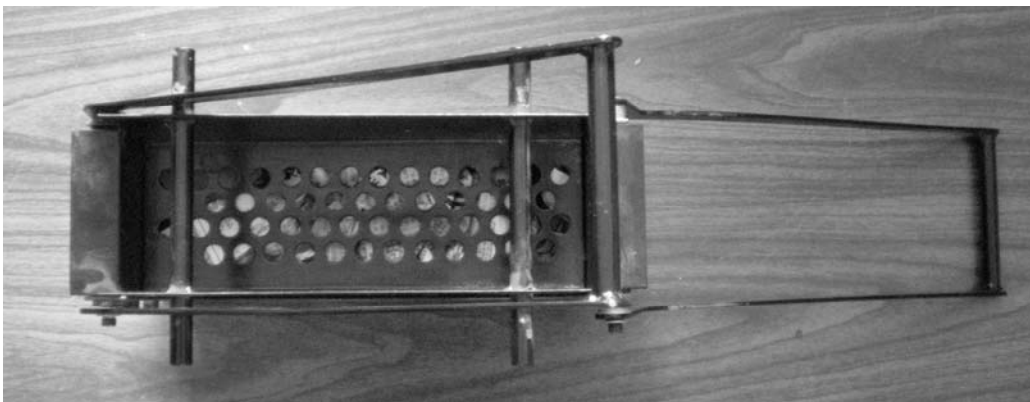
- Step five: Add the wet paper to the paper log maker, filling it to the top.



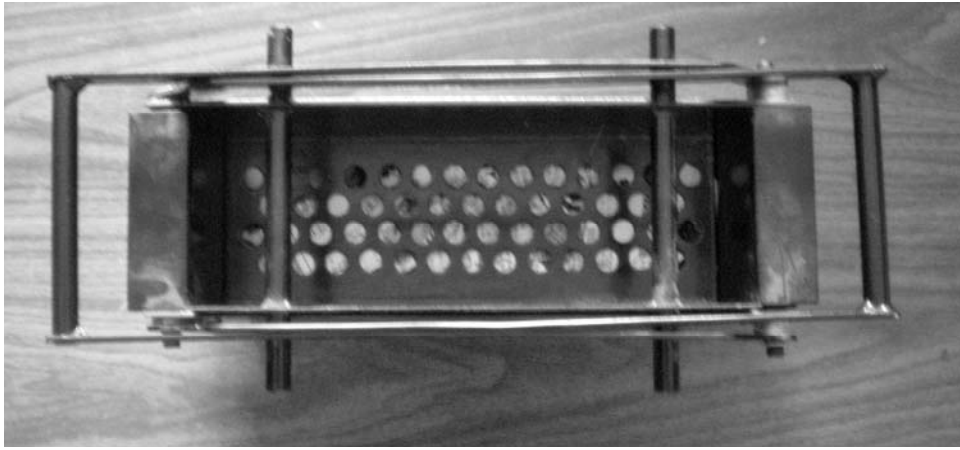
- Step six: Put the squeezer on top of the wet paper.



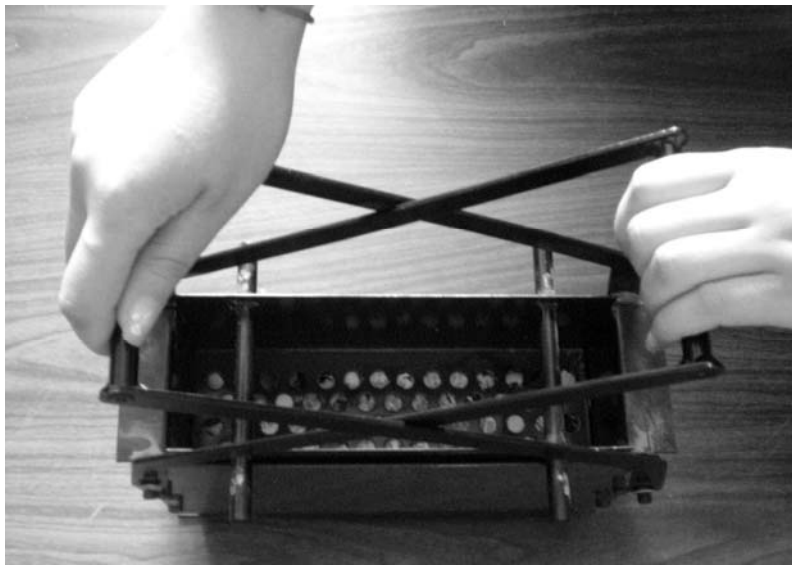
- Step seven: Fold in the handles into position.



- Step eight: Press down hard on the handles to squeeze out as much water as possible.



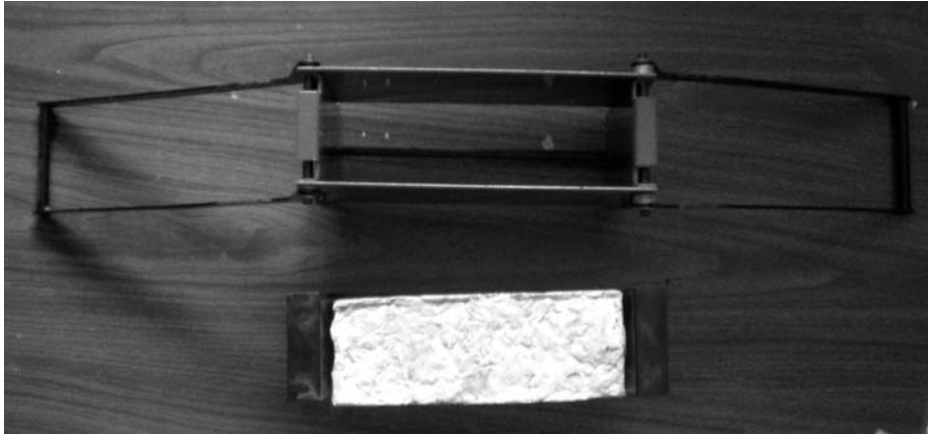
- Step nine: Clamp down the handles.



- Step ten: Remove the squeezer.



- Step eleven: Remove the water screener (turn unit upside down if needed).



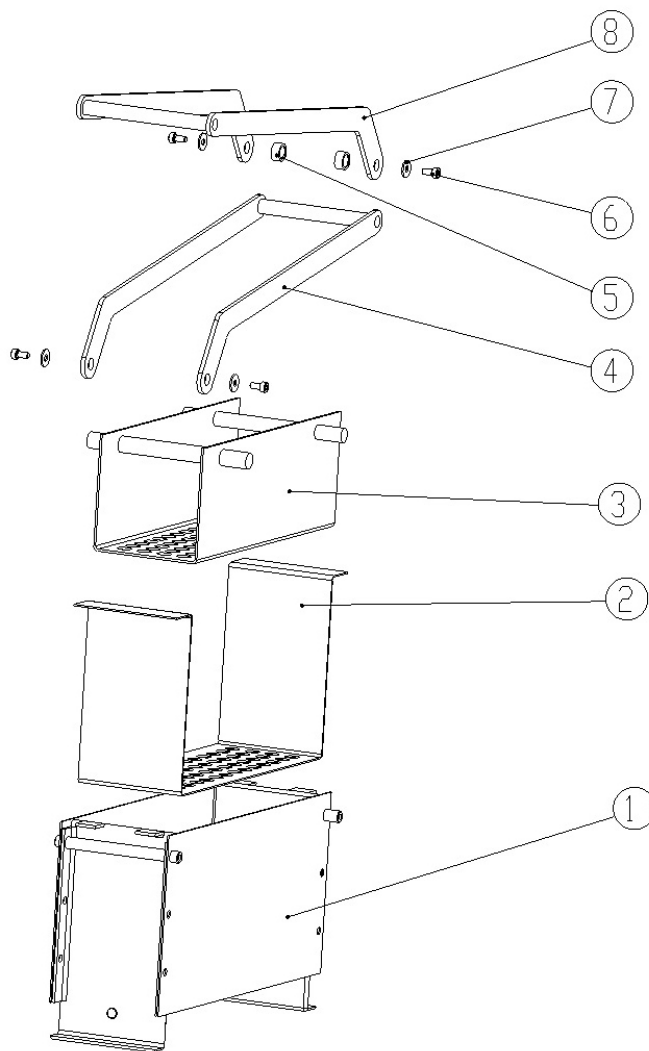
- Step twelve: Remove the paper log and allow to dry completely through.



MAINTENANCE

- **Maintain your tools.** It is recommended that the general condition of any tool be examined before it is used. Keep your tools in good repair by adopting a program of conscientious repair and maintenance in accordance with the recommended procedures found in this manual.
- **Cleaning.** Use only soap and a damp cloth to clean your tools. Many household cleaners are harmful to plastics and other insulation. Never let liquid get inside a tool.

DIAGRAM & PARTS LIST



Part#	Description	Qty.
1	Bottom Set	1 pc.
2	Water Screener	1 pc.
3	Squeezer Set	1 pc.
4	Long Handle Set	1 pc.
5	Long Handle-Axis Set	2 pcs.
6	GB 70 4x8 Screw	4 pcs.
7	4 Flat Pad	4 pcs.
8	Short Handle Set	1 pc.

For replacement parts and technical questions, please call **1-800-222-5381**.

WARRANTY

One-Year Limited Warranty

WARNING

Some dust created by power sanding, sawing, grinding, drilling, and other construction activities contains chemicals known to the State of California to cause cancer, birth defects or other reproductive harm.

Some examples of these chemicals are:

- lead from lead-based paints,
- crystalline silica from bricks and cement and other masonry products, and
- arsenic and chromium from chemically-treated lumber.

Your risk from these exposures varies, depending on how often you do this type of work. To reduce your exposure to these chemicals: work in a well ventilated area, and work with approved safety equipment, such as those dust masks that are specially designed to filter out microscopic particles.



Northern Tool + Equipment Co., Inc.
2800 Southcross Drive West
P.O. Box 1499 Burnsville, MN 55337-0499
Made in China