

Also available with 3, 4, or 6 lamps

FEATURES

- 4½" deep troffer eliminates lens shadowing
- Standard lens made of .140" high impact acrylic
- Contoured housing maximizes photometric performance with uniform lens brightness
- Unique stepped ballast cover prevents any shadow being seen through the lens
- Mitered corners on door present a clean uninterrupted appearance
- T-slot steel hinges insure a snug door fit and positive retention when opening
- Heavy duty door frame enhances appearance
- Snug door fit eliminates light leaks
- Four tamper resistant screws, standard, secure door frame to housing. Six tamper resistant screws optional
- Stainless steel tamper resistant screws optional
- Damp label standard
- Available with exclusive wiHUBB technology preinstalled
 - Peer to peer, self-healing wireless mesh network
 - Integrated control system for 0-10VDC or step dimming, or On/Off

PROJECT INFORMATION

Project Name _____	Type _____
Catalog No. _____	Date _____

HOUSING

Fixture is constructed of die formed and embossed code gauge steel. End caps are hinged and riveted to the housing for added rigidity. Designed for installation in all ceilings as shown in Ceiling Compatibility on reverse side. Specify exact ceiling type. Integral T-bar clips are located in the end cap.

BALLASTS

Energy efficient, thermally protected, automatic resetting, Class P, high power factor, sound rated A, unless otherwise specified. CEE NEMA Premium compliant.

ELECTRICAL

Standard class "P", thermally protected, auto-resetting HPF ballast, sound rated A. CEE NEMA Premium compliant. All ballast leads extend a minimum of 6" through access location. NEC/CEC-compliant ballast disconnect is standard.

FINISH

All metal parts are processed with a multi-stage phosphate bonding treatment and finished with a high reflectance baked white enamel. For a post painted housing finish suffix catalog number with PAF.

SHIELDING

Standard lens is made of high impact, pattern 12 acrylic. For other available lenses consult lens option sheet or contact your Columbia representative. Standard flush door is formed steel with mitered corners. Doors are retained by cam action latches, are easily removed without tools, and hinge from either side. Regressed or flush aluminum doors with mitered corners are also available.

CEILING COMPATIBILITY

Designed for recessed installation in standard inverted tee grid ceilings (G), recessed installation in hard ceilings (G with FK accessory), or in Modular Fit-in Trim (M). For compatibility with specific ceilings contact your Hubbell Lighting representative.

CERTIFICATION

All luminaires are built to UL 1598 standards and bear appropriate UL and cUL or CSA labels. Damp location labeling is standard. Emergency-equipped fixtures labeled UL 924.

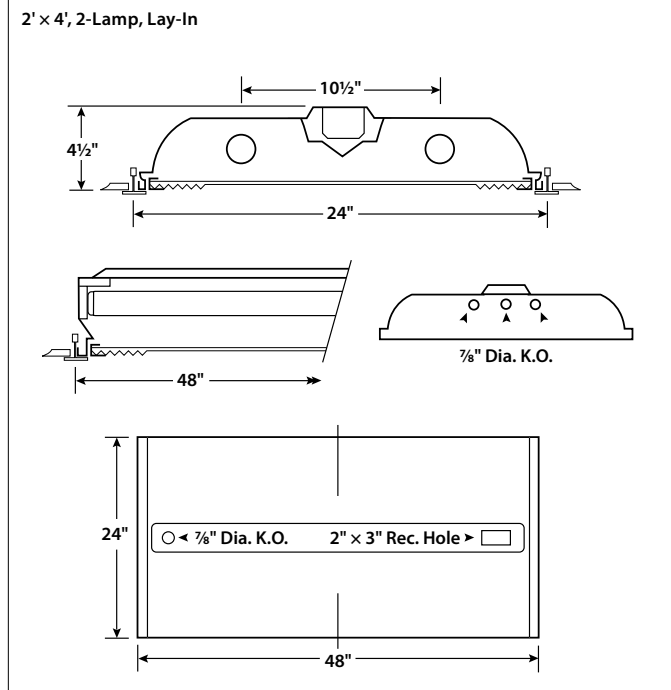
ORDERING INFORMATION

EXAMPLE 4VS24-232G-FSDR12-EU

4VS	24 - 2	-	-	-	-
MODEL	NO. OF LAMPS	CEILING TYPE	SHIELDING	VOLTAGE	OPTIONS
4VS Vandal Resistant Specification Grade Troffer	2 Two	G Grid F Overlap Flange M Modular Fit-in Trim	DR12 High Impact Acrylic Pattern 12, .140" (std.) AT12 KSH Acri-Tuf, .140" LG250 Polycarbonate Acrylic Laminate Lens, .250" LG375 Polycarbonate Acrylic Laminate Lens, .375"	U 120V-277V 347 347V	F835 35K 78+CRI T8 Lamp Installed SLL Spring Loaded Latches PAF Paint After Fabrication GLR Fast Blow Fuse EL Emergency Battery Pack MS9 Master/Satellite w/9' Harness FCWES Cool White ES Lamps Installed NYC NYC Compliant NYCU NYC Compliant, Union Label WIH wiHUBB Enabled CP Chicago Plenum
SIZE	LAMP TYPE	DOOR	BALLAST	TAMPER RESISTANT OPTIONS	
24 2' x 4'	28 4', T5: 28 Watt 32 4', T8: 32, 30, 28 or 25 Watt 54 4', T5HO: 54 or 51 Watt	FS Flush Steel FA Flush Aluminum	E Electronic T8, Instant Start EP Electronic T5 or T8, Programmed Start For others available, see Ballast Options.	TP4 (4) Tamper Resistant Screws (std.) TP6 (6) Tamper Resistant Screws TPS4 (4) Stainless Steel Tamper Resistant Screws TPS6 (6) Stainless Steel Tamper Resistant Screws	

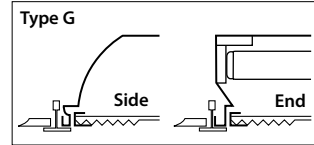
PHOTOMETRIC DATA – CONTACT FACTORY

DIMENSIONAL DATA

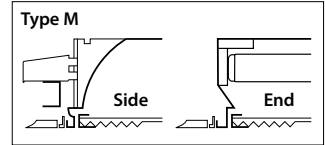


NOTE: All dimensions are in inches; dimensions and specifications are subject to change without notice. Please consult factory or check sample for verification.

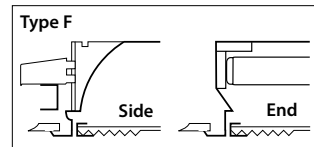
CEILING COMPATIBILITY



For lay-in installation in exposed grid ceilings. Maximum tee widths of 1" and maximum tee heights of 1 1/2" allowed.



"Fit-in" style extruded trim aligns with modular tile joints. Fixture is supported from concealed suspension, includes adjustable wing hangers.



Overlapping trim conceals edges of ceiling opening. Wing hanger suspension included.

Flange kit rough in dimensions for single unit only: 24 1/8" x 48 1/8"