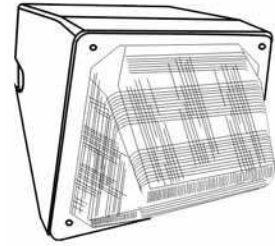


WLT-SMALL GLASS LOW PROFILE WALL PACK

50-100 watt Metal Halide
50-150 watt High Pressure Sodium



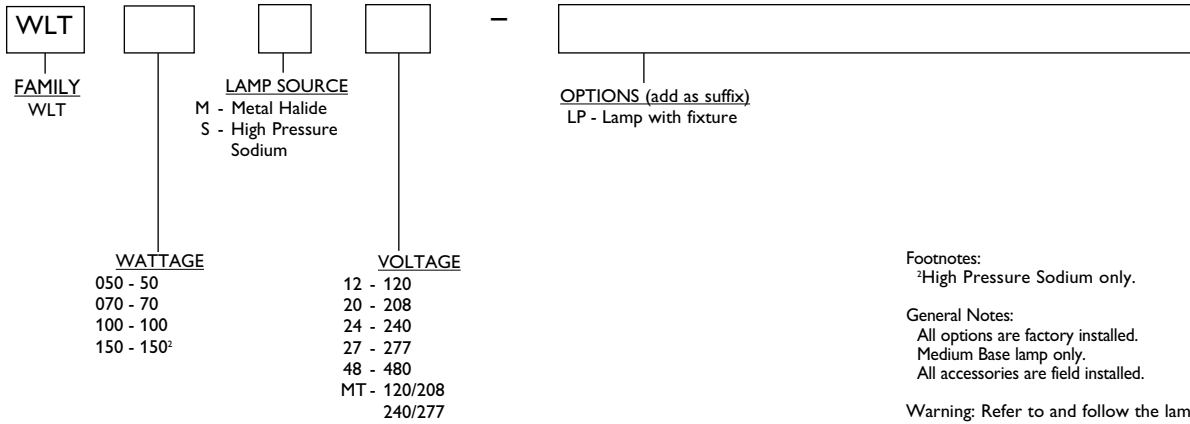
JOB NAME _____

TYPE _____

The WLT with its low profile, compact design is excellent for security, accent and perimeter lighting in areas such as building facades, entrance ways, garage doors, indoor parking garages, tunnels, overpasses, and alleys.

ORDERING MATRIX

SAMPLE CATALOG NUMBER: WLT100MMT-LP



Footnotes:
²High Pressure Sodium only.

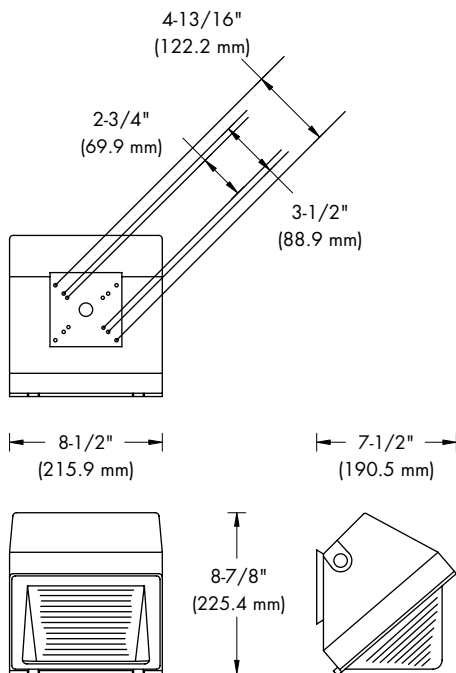
General Notes:
All options are factory installed.
Medium Base lamp only.
All accessories are field installed.

Warning: Refer to and follow the lamp manufacturer's warnings and instructions.

ACCESSORIES (order separately)

- GSWLT - Glare Shield
- WGWLT - Wire Guard
- VSWLT - Vandal Shield
- RDA-WLT - Replacement Door Assembly
- PEC-MT - Photo Control multi-volt
- PEC-48 - Photo Control 480 volt

DIMENSIONS



ENERGY DATA

HIGH PRESSURE SODIUM

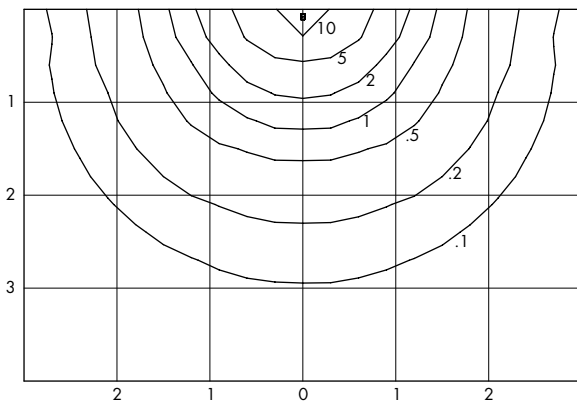
HX-HPF BALLAST INPUT WATTS
50 watt-66 watts
70 watt-91 watts
100 watt-130 watts
150 watt-188 watts

METAL HALIDE

HX-HPF BALLAST INPUT WATTS
50 watt-72 watts
70 watt-90 watts
100 watt-129 watts

WEIGHT = 11 lbs. (max.)

PHOTOMETRICS



UNITS SHOWN IN TERMS OF MOUNTING HEIGHT
INITIAL FOOTCANDLES SHOWN

CATALOG NUMBER: WLT100M
 TEST NUMBER: 25123
 LAMP: METAL HALIDE
 WATTAGE: 100
 LUMENS: 8,500
 TILT ANGLE: 0°
 MOUNTING HEIGHT: 10 FEET

LIGHT LEVEL MULTIPLYING FACTORS	
MOUNTING HEIGHT	MULTIPLIER
20'	0.25
15'	0.44
12'	0.69
10'	1.00
8'	1.56

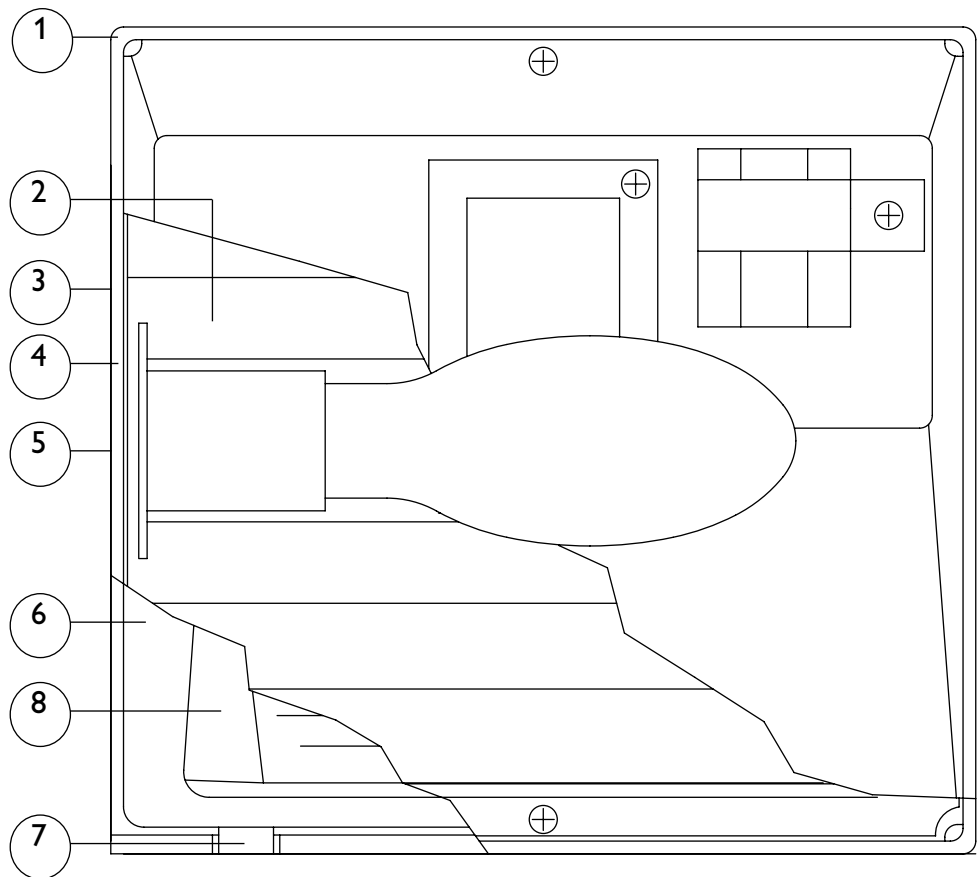
ADDITIONAL TEST NUMBERS

DESCRIPTION/CATALOG NUMBER	TEST NUMBER
WTL050S	25125P
WLT070S	251252
WLT100S	25126P
WLT150S	25126
WLT050M	25124
WLT070M	25123P

PRODUCT FEATURES

UL 1598 Listed wet location, 25°C ambient, and feed-through wiring for all lamp wattages listed.

1. Heavy duty two piece, die cast aluminum housing.
2. Specular anodized aluminum reflector.
3. Silicone gasketing provides protection against moisture.
4. Mounts directly to 3-1/2" octagon or 4" square outlet box.
5. 1/2" NPS tapped holes provided in three locations for surface conduit entry or optional photo control.
6. Dark bronze polyester powder finish for impact, corrosion and UV resistance.
7. Integral cast-in aluminum hinges permit complete removal of lens frame assembly without tools.
8. Clear prismatic borosilicate glass refractor is thermal and shock resistant.



Some luminaires use fluorescent or high intensity discharge (HID) lamps that contain small amounts of mercury. Such lamps are labeled, "Contain Mercury" and/or the symbol "HG". Lamps that contain mercury must be disposed of in accordance with local requirements. Information regarding lamp recycling and disposal can be found at www.lamprecycle.org



© 2013 Koninklijke Philips N.V. (Royal Philips). All rights reserved.
 Specifications are subject to change without notice.
www.philips.com/luminaires

Philips Lighting Company
 200 Franklin Square Drive
 Somerset, NJ 08873
 Phone: 855-486-2216

Philips Lighting Company
 281 Hillmount Road
 Markham ON, Canada L6C 2S3
 Phone: 800-668-9008