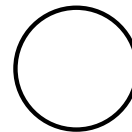


Job:
 Type:
 Notes:

Poles

4.5" Straight Round Aluminum - Cast Base For Gardco Post Top Mounted Luminaires

The Philips Gardco PRA4.5 straight aluminum pole consists of a one-piece 4.5" round extruded aluminum lighting standard mounted to a structural quality carbon galvanized steel base tenon. This construction offers the corrosion resistance and flexibility of aluminum with the strength and integrity of steel. The poles are finished with either Architectural Class I anodizing or electrostatically applied TGIC polyester powdercoat. All poles include anchor bolts, full base cover, hand hole, ground lug and top cap.



PREFIX	BASE	HEIGHT	FINISH	OPTIONS
<p><small>Enter the order code into the appropriate box above. Note: Gardco reserves the right to refuse a configuration. Not all combinations and configurations are valid. Refer to notes below for exclusions and limitations. For questions or concerns, please consult the factory.</small></p>				

PREFIX	BASE	HEIGHT
PRA4.5	CB Cast Base <div style="border: 1px solid black; padding: 5px; margin-top: 10px; font-size: small;"> Hinged Bases are available for this pole size. Please refer to Hinged Base Pole sheet 79415-8 for specifications and dimensions. </div>	8' 10' 12' 15' 18' 20'

FINISH	OPTIONS
BRP Bronze Paint BLP Black Paint WP White Paint NP Natural Aluminum Paint BRA Bronze Anodized BLA Black Anodized NA Natural Anodized OC Optional Color Paint <i>Specify Optional Color or RAL ex: OC-LGP or OC-RAL7024.</i> SC Special Color Paint <i>Specify. Must supply color chip.</i>	DR Duplex Receptacle GFCI Ground Fault Receptacle VDA Vibration Dampener Nipples and Couplings <i>Indicate size (1/2", 3/4", 1", 1 1/4", 1 1/2".) Indicate height above base and orientation to hand hole. See Pole Orientation Information on Page 4.</i> NL Nipple - External thread CL Coupling - Internal thread



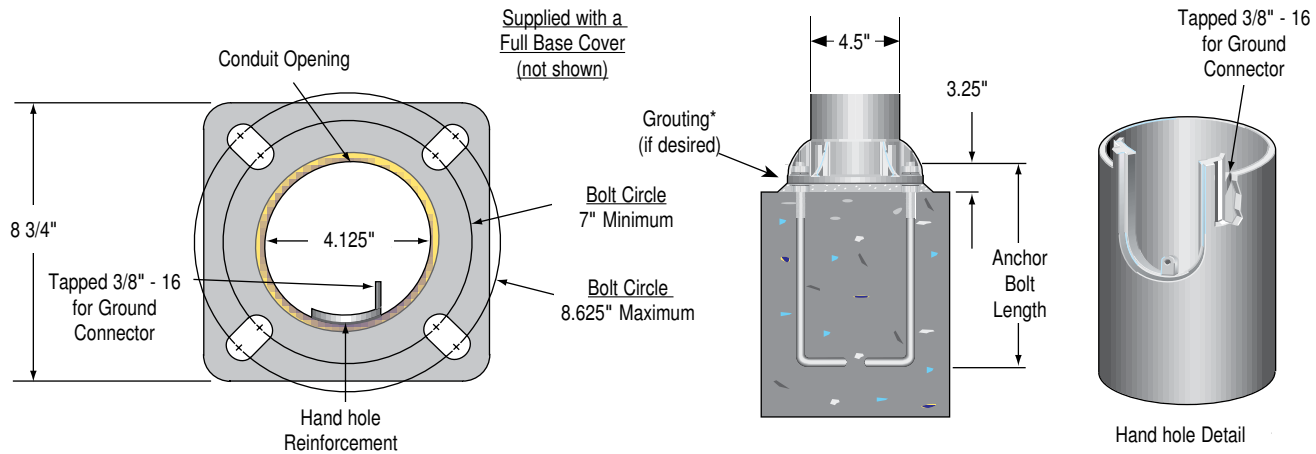
4.5" Straight Round Aluminum - Cast Base For Gardco Post Top Mounted Luminaires

POLE DATA

CATALOG NUMBER	POLE SIZE		MAXIMUM LUMINAIRE LOADING ¹			ANCHOR BOLT DATA ²		
	PREFIX - BASE - HEIGHT	ACTUAL HEIGHT	WALL THICKNESS (inches.)	100 MPH EPA-FT ²	90 MPH EPA-FT ²	80 MPH EPA-FT ²	BOLT CIRCLE (inches)	BOLT SIZE (inches)
PRA4.5-CB-8	6' 4"	.125	10.8	13.3	17.2	7.0" - 8.625"	3/4 x 17 x 3	3.25"
PRA4.5-CB-10	8' 4"	.125	7.6	9.5	12.5	7.0" - 8.625"	3/4 x 17 x 3	3.25"
PRA4.5-CB-12	10' 4"	.125	5.6	7.1	9.5	7.0" - 8.625"	3/4 x 17 x 3	3.25"
PRA4.5-CB-15	13' 4"	.125	2.5	3.3	4.9	7.0" - 8.625"	3/4 x 17 x 3	3.25"
PRA4.5-CB-18	16' 4"	.188	3.6	4.7	6.7	7.0" - 8.625"	3/4 x 17 x 3	3.25"
PRA4.5-CB-20	18' 4"	.188	2.5	3.4	5.1	7.0" - 8.625"	3/4 x 17 x 3	3.25"

- Warning:** Additional wind loading, in terms of EPA, from banners, cameras, floodlights and other accessories attached to the pole, must be added to the luminaire(s) EPA before selecting the pole with the appropriate wind load capability.
- Factory supplied template must be used when setting anchor bolts. Philips Gardco will not honor any claim for incorrect anchorage placement resulting from failure to use factory supplied templates.

DIMENSIONS



NOTE: Factory supplied template **MUST** be used when setting anchor bolts. Philips Gardco will not honor any claim for incorrect anchorage placement from failure to use factory supplied templates.

* Grouting should include a drainage slot or tube (by others) to permit water to drain from the base of the pole. Failure to provide drainage may weaken the pole base structure over time and may result in pole base failure, for which Philips Gardco is not responsible.

4.5" Straight Round Aluminum - Cast Base For Gardco Post Top Mounted Luminaires

SPECIFICATIONS

All aluminum alloys shall comply with metallurgical and mechanical properties set forth in the Aluminum Association Standards.

POLE SHAFT: The shaft shall be extruded from all new seamless 6063 alloy aluminum and shall be heat treated to produce a T6 temper. The shaft shall be polished with fine grain aluminum oxide cloths, resulting in a high quality circumferential satin brushed finish. After finishing, each pole shall be fully tire-wrapped with neutral PH krinkle/kraft paper for protection in shipment. .

ANCHOR BASE: The anchor base is cast from A356 alloy aluminum. The shaft shall be inserted into the anchor base casting. The anchor base casting and shaft shall be joined by a continuous circumferential weld at the inside bottom of the anchor base. The completed assembly shall be heat treated to a T6 condition. A full base cover shall be included with each anchor base.

ANCHOR BOLTS: Anchor bolts are fabricated from a commercial quality hot rolled carbon steel bar that meets or exceeds a minimum guaranteed yield strength of 50,000 psi. Bolts have an "L" bend on one end and threaded on the opposite end. Anchor bolts are completely hot dipped galvanized. Four (4) properly sized bolts, each furnished with two (2) regular hex nuts and two (2) flat washers, are provided per pole, unless otherwise specified.

HAND HOLE: All poles shall include a peripherally reinforced flush covered hand hole centered 18" above the bottom of the pole. The opening shall measure 3" X 5".

FINISH: Poles are available with bronze, natural or black Aluminum Association Architectural Class I anodized finish. Electrostatically applied, thermally cured TGIC polyester powdercoat finish or liquid polyurethane is also available.

GENERAL POLE INFORMATION

DESIGN: The poles as charted are designed to withstand dead loads and predicted dynamic loads developed by variable wind speeds with an additional 30% gust factor under the following conditions:

The charted weights include luminaire(s) and/or mounting bracket(s).

The wind velocities are based on 10 mph increments from 80 mph through 100 mph. Poles to be located in areas of known abnormal conditions may require special consideration. For example: coastal areas, airports and areas of special winds.

Poles are designed for ground mounted applications. Poles mounted on structures (such as buildings and bridges) may also necessitate special consideration requiring Philips Gardco's recommendation.

Height correction factors and drag coefficients are applied to the entire structure. An appropriate safety factor is maintained based on the minimum yield strength of the material incorporated in the pole.

WARNING: This design information is intended as a general guideline only. The customer is solely responsible for proper selection of pole, luminaire, accessory and foundation under the given site conditions and intended usage. The addition of any items to the pole, in addition to the luminaire, will dramatically impact the EPA load on that pole. It is strongly recommended that a qualified professional be consulted to analyze the loads given the user's specific needs to ensure proper selection of the pole, luminaire, accessories, and foundation. Philips Gardco assumes no responsibility for such proper analysis or product selections. **Failure to insure proper site analysis, pole selection, loads and installation can result in pole failure, leading to serious injury or property damage.**

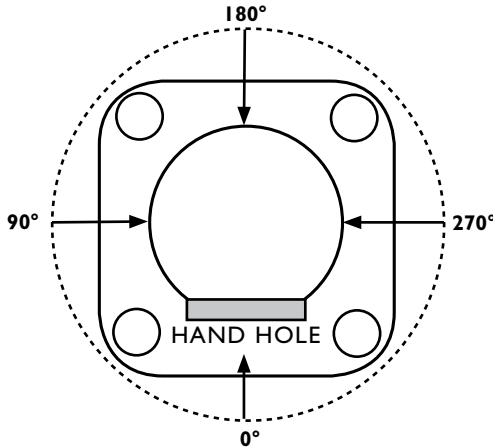
GENERAL INFORMATION: Mounting height is the vertical distance from the base of the lighting pole to the center of the luminaire arm at the point of luminaire attachment. Twin arms as charted are oriented at 180° with respect to each other. For applications of two (2) arms at 90° or other multiple arm applications, consult the factory.

WARRANTY: Philips Gardco poles feature a 1 year limited warranty. See Warranty Information on www.sitelighting.com for complete details and exclusions.

4.5" Straight Round Aluminum - Cast Base For Gardco Post Top Mounted Luminaires

ORIENTATION INFORMATION

FACTORY INSTALLED OPTIONS AND ACCESSORIES



Orientation is measured clockwise from the Hand Hole Center.

*For Factory Installed Options and Accessories,
Specify Orientation from Hand Hole and
Height Above Pole Base Where Required.*

