

Location:

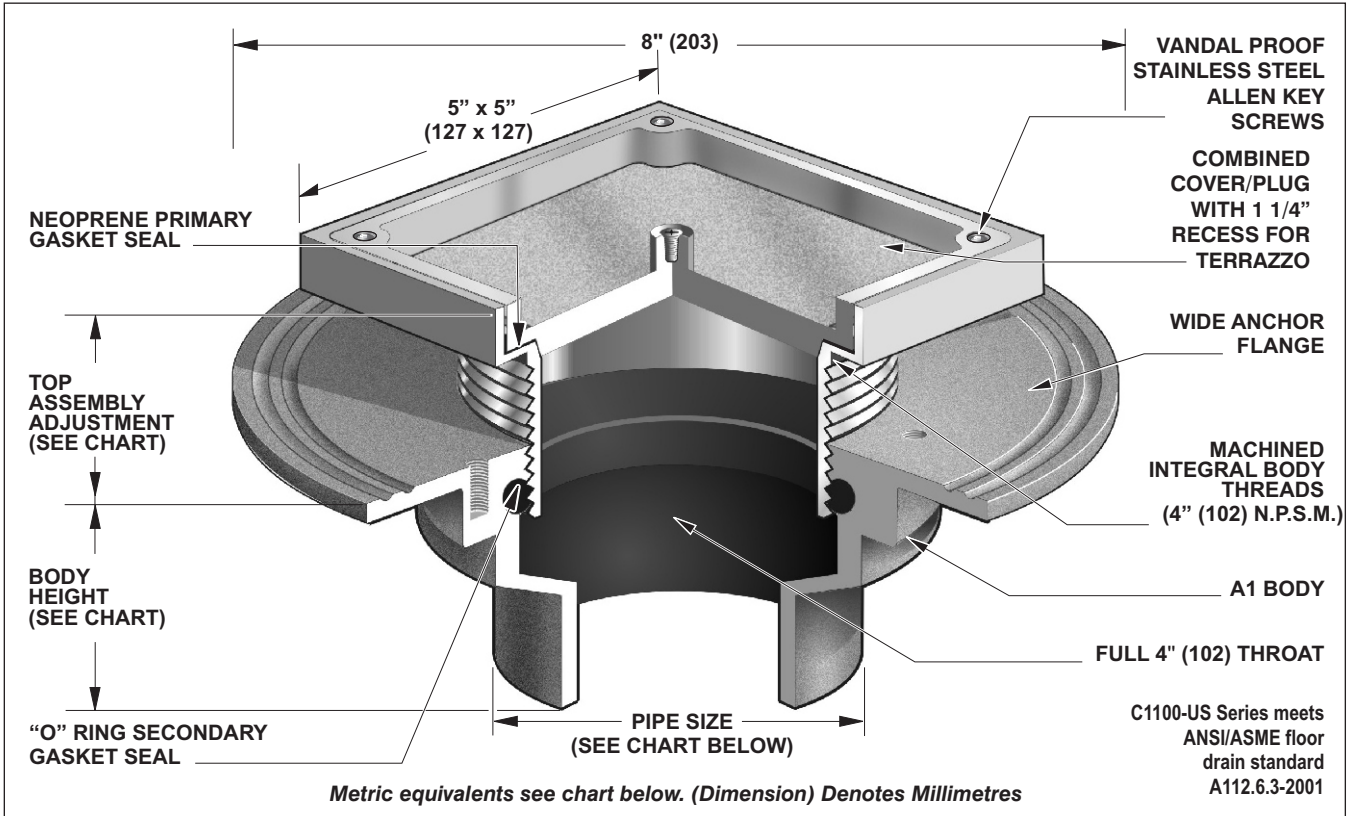


C1100-US

FLOOR CLEANOUT FOR TERRAZZO AREAS WITH SQUARE ADJUSTABLE COVER AND PLUG

Specification: MIFAB C1100-US Series adjustable floor cleanout with lacquered cast iron body and anchor flange, secondary "O" ring Test Seal, 4" diameter cleanout opening and square scoriated combined cover and plug top assembly (specify material type) with 1 1/4" recess for terrazzo and stainless steel vandal proof allen key screws and primary gasket seal. (For membrane floors, add Suffix -C for the membrane clamp.)

Function: Used in finished floors to provide emergency access to the plumbing lines for removal of blockages. Typical in floors where a minimum amount of cleanout top is desired to be visible. The recess in the cover is to receive terrazzo or ceramic tile fill. Replacement of the surface level cover/plug with the neoprene gasket glued to the underside provides visual evidence that the cleanout has been properly resealed to prevent harmful sewer gases from entering the building.



TOP ASSEMBLY SIZE	TOP ASSEMBLY ADJUSTMENT		ANSI/ASME RATING LOAD RATING		PIPE SIZE	BODY HEIGHT				
	MIN	MAX	N.B. (-1)	S.S. (-3)		NO HUB (STANDARD)	PUSH ON (P)	THREADED (T)	INSIDE CAULK (X)	PVC/ABS (-30)/(-31)
5" x 5" (127 x 127)	1/2" (13)	1 1/4" (32)	UP TO 4,999 LBS.	5,000 TO 7,499 LBS.	2" (51) <input type="checkbox"/>	3" (76) <input type="checkbox"/>	3 3/8" (86) <input type="checkbox"/>	2 1/4" (57) <input type="checkbox"/>	3 3/4" (95) <input type="checkbox"/>	2 15/16" (75) <input type="checkbox"/>
					3" (76) <input type="checkbox"/>	3" (76) <input type="checkbox"/>	3 3/8" (86) <input type="checkbox"/>	2 5/8" (67) <input type="checkbox"/>	3 3/4" (95) <input type="checkbox"/>	3 3/4" (95) <input type="checkbox"/>
					4" (102) <input type="checkbox"/>	3" (76) <input type="checkbox"/>	3 3/8" (86) <input type="checkbox"/>	2 5/8" (67) <input type="checkbox"/>	3 3/4" (95) <input type="checkbox"/>	3 3/4" (95) <input type="checkbox"/>
					5" (127) <input type="checkbox"/>	3" (76) <input type="checkbox"/>	— <input type="checkbox"/>	2 5/8" (67) <input type="checkbox"/>	3 3/4" (95) <input type="checkbox"/>	— <input type="checkbox"/>
					6" (152) <input type="checkbox"/>	3 1/4" (83) <input type="checkbox"/>	6 1/2" (165) <input type="checkbox"/>	— <input type="checkbox"/>	— <input type="checkbox"/>	— <input type="checkbox"/>

- | | | |
|---|--|---|
| <input type="checkbox"/> -1 Nickel bronze top assembly | <input type="checkbox"/> -34 Secondary closure plug | <input type="checkbox"/> -BA Buy American Act compliant product |
| <input type="checkbox"/> -3 Heavy duty stainless steel top assembly | <input type="checkbox"/> -90 Threaded side outlet (2",3",4") (cast iron only) | <input type="checkbox"/> -C Membrane clamp |
| <input type="checkbox"/> -6 Security screws (TR25 Torx & pin) | <input type="checkbox"/> -90NH No hub side outlet (2", 3", 4") (cast iron only) | <input type="checkbox"/> (Standard) No hub outlet |
| <input type="checkbox"/> -11 Acid resistant epoxy coated body | <input type="checkbox"/> -95 Special marking etched into top (SAN for sanitary or GW for Grease Waste) | <input type="checkbox"/> P Push on outlet |
| <input type="checkbox"/> -13 Galvanized body | <input type="checkbox"/> -ARRA ARRA (Stimulus Act) compliant product | <input type="checkbox"/> -PA Pennsylvania Steel Act compliant product |
| <input type="checkbox"/> -15 Extension | | <input type="checkbox"/> T Threaded outlet (2",3",4") |
| <input type="checkbox"/> -28 Stainless steel body (Type 304) | | <input type="checkbox"/> X Inside caulk outlet |
| <input type="checkbox"/> -30 PVC socket connection body | | <input type="checkbox"/> -Z Extended wide elastomeric flange |
| <input type="checkbox"/> -31 ABS socket connection body | | |

Job Name: <input type="text"/>	Page No: <input type="text"/>
Section No: <input type="text"/>	Contractor: <input type="text"/>
Schedule No: <input type="text"/>	Purchase Order No: <input type="text"/>

MIFAB reserves the right to make changes in material and design without formal notice and obligation.