

Location:



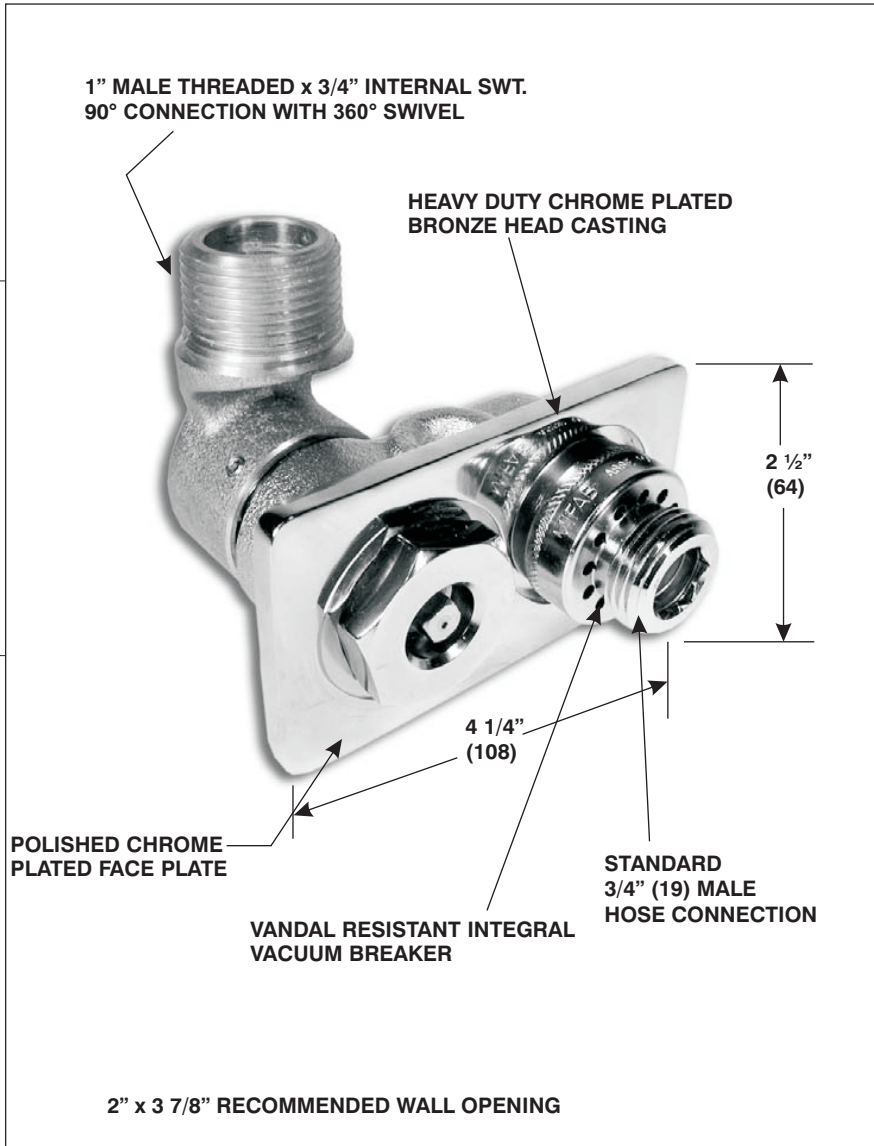
HY-5000

NARROW WALL HYDRANT

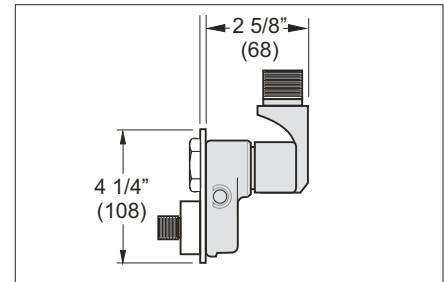
Specification: MIFAB® Series HY-5000 self draining, moderate climate narrow wall hydrant with A.S.S.E. 1011 certified anti-siphon vandal resistant vacuum breaker. Operating kea furnished with each hydrant.

Function: Designed for commercial applications in moderate climate areas to fit within a 4" (102) wall.

Plumbing and Drainage
Mechanical Section



Overhead view



MIFAB® HY-5000 Series Features

- **INTERNAL COMPONENTS** - hardened bronze operating stem and one piece neoprene plunger.
- **VACUUM BREAKER** - unique self draining vandal resistant integral vacuum breaker protects from anti-siphon conditions.
- **FACE PLATE** - polished chrome plated.
- **WATER SUPPLY CONNECTION** - swivel 360° to any position.
- **APPROVALS** - HY-5000 wall hydrant is listed with I.A.P.M.O. and manufactured with an anti-siphon vacuum breaker that is tested and certified to the A.S.S.E. Standard 1011.



(Dimensions) Donates Millimeters

| MODEL NO. | OVERALL LENGTH | | APPROXIMATE WEIGHT | | SWIVEL CONNECTION | INLET |
|----------------------------------|----------------|----|--------------------|-----|---------------------|-------|
| | IN | MM | Lbs. | Kg. | IN | |
| <input type="checkbox"/> HY-5000 | 2 5/8 | 68 | 1 | 0.5 | 3/4" SWT, 1" M.I.P. | |

SUFFIX -0
OPTIONAL VARIATIONS: 1" (25) Hose connection

| | |
|-----------------------------------|---|
| Job Name: <input type="text"/> | Page No: <input type="text"/> |
| Section No: <input type="text"/> | Contractor: <input type="text"/> |
| Schedule No: <input type="text"/> | Purchase Order No: <input type="text"/> |

MIFAB reserves the right to make changes in material and design without formal notice and obligation.

USA: 1-800-465-2736 www.mifab.com CAN: 1-800-387-3880