



WIDESPREAD

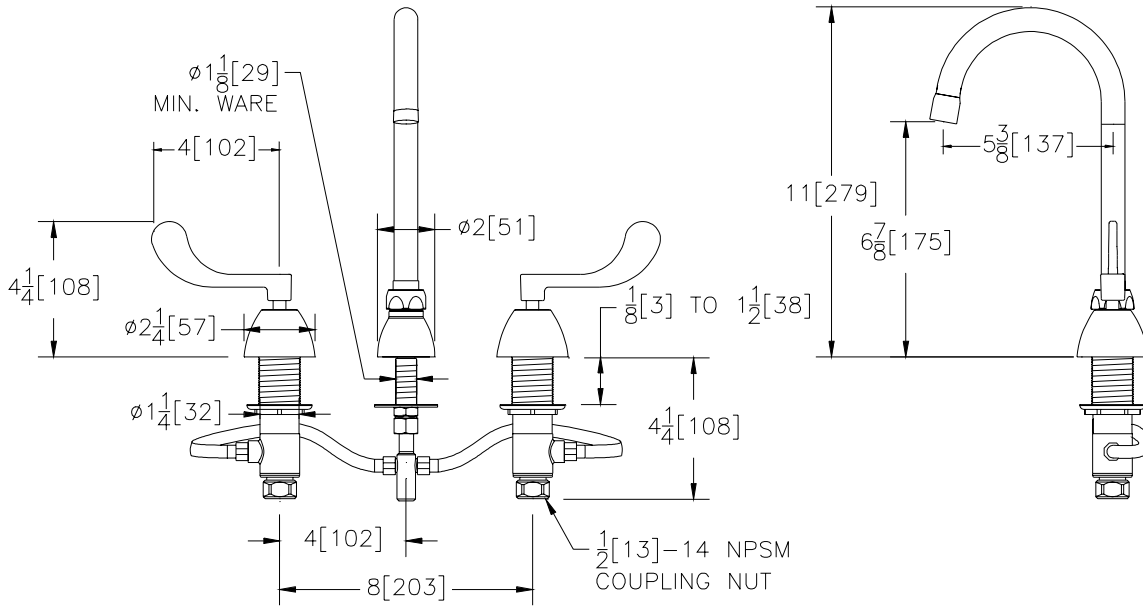
Z-831B4

TAG _____



Engineering Specifications: Zurn AquaSpec® Z-831B4

Polished chrome-plated widespread with adjustable centers from 6" [152mm] to 20" [508mm], a 5-3/8" [137mm] centerline rigid or swing gooseneck spout and quarter turn ceramic disc cartridges. Unit is furnished with a 2.0 GPM [7.6 L] variable orifice aerator (complying with ANSI A112.18.1 Standard for flow), 4" [102mm] vandal-resistant color-coded brass wrist blade handles, mounting hardware and 1/2" [13mm] NPSM coupling nuts for standard lavatory risers. Widespread accommodates installations up to 1-1/2" [38mm] thick.



Note: All dimensions are for reference only. Do not use for pre-plumbing

OPTIONAL ACCESSORIES

Suffix	Description
___ -CWO	Cold Water Only
___ -FC	2.0 GPM [7.6 L] Laminar Flow Control in Base of Spout
___ -G	1-1/4" [32mm] Grid Strainer Drain
___ -GH	1-1/4" [32mm] Offset Handicap Grid Drain
___ -HS	Hose and Spray
___ -ICT	Inter-connecting Copper Supply Tubes for 8" In-line Centers
___ -P	1-1/4" [32mm] Pop-up Drain
___ -PT	1-1/4" [32mm] Cast Brass P-Trap with a 7-1/2" [191mm] Long 17-Gauge Wall Bend
___ -TW	Third Waterway
___ -140	Restricted 140° Swing Spout
___ -2F	2.0 GPM [7.6 L] Vandal-Resistant Female Aerator
___ -3F	0.5 GPM [1.9 L] Vandal-Resistant Female Aerator
___ -4F	2.0 GPM [7.6 L] Vandal-Resistant Female Laminar Flow
___ -5F	2.0 GPM [7.6 L] Female Spray Outlet

ZURN INDUSTRIES, INC. ♦ COMMERCIAL BRASS OPERATION ♦ 2855 GIRTS ROAD ♦ JAMESTOWN NY 14701

Phone: 1-716-665-1132 ♦ Fax: 1-716-665-1135 ♦ World Wide Web: www.zurn.com

In Canada: ZURN INDUSTRIES LIMITED ♦ 3544 Nashua Drive ♦ Mississauga, Ontario L4V1L2 ♦ Phone: 905/405-8272 Fax: 905/405-1292