



Type No. \_\_\_\_\_

Job Name \_\_\_\_\_

Catalog No. \_\_\_\_\_



# Vintage Series

- LED Illuminated Edge-Lit Exit
- AC Only and Emergency Operation
- Standard Self-Diagnostics Electronics\*
- Universal Mounting

Shown:VN6RCA1SC

### Housing

- Premium die-cast aluminum housing
- Available in a full range of finishes (see Ordering Information)
- Standard universal mounting capabilities include recessed ceiling mount, surface ceiling mount, surface end mount and surface wall mount
- Surface mount to a standard 3 1/2" octagonal junction box
- Field selectable chevrons are standard
- Bar hanger bracket kit is standard for recessed applications

### Battery

- Maintenance-free, sealed nickel cadmium battery with a 10-year life
- Exceeds 90-minute run time requirement
- Operating temperature range of 32°F (0°C) to 104°F (40°C)

### Illumination

- Illumination is provided by high brightness LEDs in an optical array to provide even illumination
- Average exit legend illumination level is 25 f1 (79 cd/m<sup>2</sup>)
- Panel is available in 6" or 8", UL, NFPA 101 and IBC approved lettering

### Application

- Ideal for architectural, commercial, retail or office locations where an attractive, highly reliable and easily installed emergency exit product is needed
- The Vintage Series meets the Buy American requirements

### Warranty

- Electronics: 5 years
- Battery: 5 years full, 5 years pro-rata

\*Self-powered models incorporate the Smart Charger diagnostics electronics package. Self-testing is a factory installed option.

### Electronics

#### AC Only

- 120/277 VAC dual voltage input with surge protection emergency operation
- Microprocessor driven charger software with routine embedded diagnostic and temperature compensation
- See specification sheet L2465 for electronics details
- 120/277 VAC input, surge protection, brownout, AC lockout and low voltage disconnect are standard

#### Electrical Specifications

##### AC Only

- Red: 3.80 W (120 VAC), PF = 0.96; 3.80 W (277 VAC), PF = 0.91
- Green: 4.00 W (120 VAC), PF = 0.95; 4.00 W (277 VAC), PF = 0.90

##### Emergency Operation

- Red: 4.70 W (120 VAC), PF = 0.95; 4.81 W (277 VAC), PF = 0.97
- Green: 4.71 W (120 VAC), PF = 0.95; 4.67 W (277 VAC), PF = 0.99

##### Self-Test Diagnostics (optional)

- Standard self-diagnostic electronics perform automatic one minute test of emergency operation every 30 days and a similar 30 minute test every 180 days to verify fixture activation, battery capacity and lamp operation
- User may initiate a one minute or 90 minute test manually using the test switch or available infrared remote (accessory)

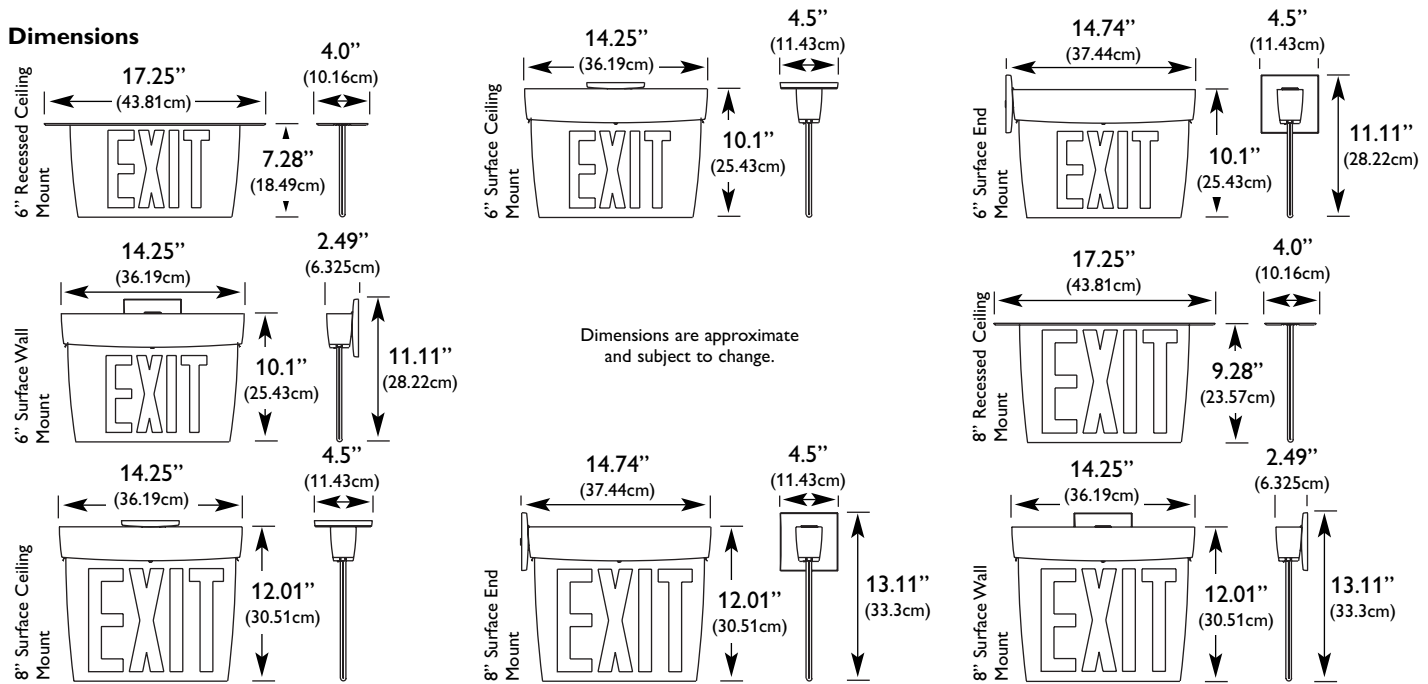
##### Code Compliance

- UL 924 listed
- UL damp location listing 32°F (0°C) to 104°F (40°C)
- NFPA 101, NEC, BOCA, OSHA, and IBC illumination standards
- NEMA Premium certified
- Meets ADA specifications for wall mounted lighting fixtures
- Certified to the California Energy Commission in accordance with California Law

## Ordering Information

SERIES	LEGEND	LETTER/BACKGROUND COLOR	HOUSING FINISH	# OF FACES	SC	OPTIONS
<b>VA</b> = Vintage AC Only LED Exit <b>VN</b> = Vintage Self-Powered LED Exit	<b>6</b> = 6" Exit <b>8</b> = 8" Exit	<b>RC</b> = Red/Clear <sup>5</sup> <b>GC</b> = Green/Clear <sup>5</sup> <b>RW</b> = Red/White <b>GW</b> = Green/White <b>RM</b> = Red/Mirror <b>GM</b> = Green/Mirror	<b>W</b> = White <b>B</b> = Black <b>A</b> = Brushed Aluminum <b>G</b> = Gunmetal <b>BR</b> = Ornamental Bronze <b>AC</b> = Aged Copper <b>VG</b> = Velvet Green <b>N</b> = Nickel <b>GR</b> = Granite <b>PA</b> = Painted Aluminum	<b>1</b> = Single Face <b>2</b> = Double Face <b>X</b> = Less Panel <sup>4</sup>	<b>SC</b> = Smart Charger Diagnostics	<b>2CKT1</b> = 120 VAC Two Circuit (AC only models) <b>2CKT2</b> = 277 VAC Two Circuit (AC only models) <b>BF</b> = Buzzer/Flasher (self-powered models only) <b>BZ</b> = Buzzer (self-powered models only) <b>DC</b> = 12-48 VDC Input (AC only models) <b>EX</b> = Special Input Transformer (specify voltage & frequency) <sup>2</sup> <b>FA</b> = Fire Alarm Activated Flasher <b>FL</b> = Flasher (self-powered models only) <b>LBB</b> = Unit Less Backbox <sup>3</sup> <b>T</b> = Self-Testing Diagnostics (non-audible) <b>TA</b> = Audible Self-Testing Diagnostics <b>SW</b> = Special Wording (consult factory) <sup>2</sup>
<b>ACCESSORIES</b> (Ordered Separately) <b>BBKIT</b> = Backbox Rough-In Kit** <b>BBKITDC</b> = Backbox Rough-In Kit with DC Option** <b>BBKIT2CKT1</b> = Backbox Rough-In Kit with 2CKT1 Option** <b>BBKIT2CKT2</b> = Backbox Rough-In Kit with 2CKT2 Option** <b>SCIR</b> = Smart Charger Infra-Red Remote <b>PKIT12B</b> = Pendant Kit, 12" Black* <b>PKIT12W</b> = Pendant Kit, 12" White*						
<b>Note:</b> 1) For self-testing models refer to options. 2) Some option combinations may impact UL listing. Consult factory for specifics. 3) Required model number for units with backboxes installed on the job. 4) Order when panels are not required at time of installation. Consult factory for edge-lit panel order number. 5) Clear background only available on single face.  <b>Note:</b> *Custom pendant lengths and colors available, consult factory. **BBKIT supplied with a clear coat finish for installation above a finished ceiling. Must order remainder of product with "LBB" suffix.						

## Dimensions



## Suggested Specification

Furnish and install LightGuard's Vintage Series edge-lit exit sign model \_\_\_\_\_ . The exit sign shall be constructed to meet UL standard 924, the National Electrical Code (NEC, NFPA 70). All models shall meet and be recognized as "low-voltage, limited energy" products in accordance with UL 924.

**INSTALLATION AND OPERATION** - The edge-lit exit sign shall be easily field connected to a 120 or 277 VAC, 60 Hz un-switched power source. The installation must comply with the NEC as well as other applicable codes. The edge-lit exit sign shall be capable of universal mounting (surface ceiling, recessed ceiling, surface wall, or end wall mount) without additional or accessory parts and be available with 6 or 8 inch, UL and NFPA-compliant lettering and chevrons, in red or green, without modification to any housing parts.

**ELECTRONICS AC-Only Models** - The edge-lit exit sign shall be easily field connected to 120 or 277 VAC, 60 Hz un-switched power source. The Vintage Series edge-lit exit sign equipped with red LED's shall consume 3.80 W with a power factor of 0.96 (120 VAC) and 3.80 W with a power factor of 0.91 (277 VAC). The Vintage Series edge-lit exit sign equipped with green LED's shall consume 4.00 W with a power factor of 0.95 (120 VAC) and 4.00 W with a power factor of 0.90 (277 VAC). Available, factory-installed options shall include a two-circuit module to accommodate 120/120 or 277/277 VAC for use with a generator or central inverter system; a fire alarm activated flasher option to accommodate an input from a fire alarm panel and provide a flashing rate when the alarm system is activated.

**Self-Powered Models** - All self-powered models shall be provided with LightGuard's Smart Charger, Diagnostics, electronics platform. The edge-lit exit sign shall be easily field connected to 120 or 277 VAC, 60 Hz un-switched power source. Smart Charger will detect and notify the installer regarding incorrect wiring of the transformer primary and restrict the damaging effects from affecting the printed circuit board. The Vintage Series edge-lit exit sign equipped with red LED's shall consume 4.70 W with a power factor of 0.95 (120 VAC) and 4.81 W with a power factor of 0.97 (277 VAC). The Vintage Series edge-lit exit sign equipped with green LED's shall consume 4.71 W with a power factor of 0.95 (120 VAC) and 4.67 W with a power factor of 0.99 (277 VAC). The Smart Charger electronics package shall provide continuous, real-time monitoring of all the critical equipment functions including, but not limited to: line voltage status and condition, charger fault, transfer fault, battery fault, and LED load fault and notify personnel with a visual indicator sequence. Optional audible diagnostics as well as self-testing diagnostics shall be available from the factory. The self-testing option shall satisfy the periodic testing requirements in NFPA 101, Life Safety Code as well as the International Building Code (IBC). The Smart Charger circuit shall continuously sample ambient temperature conditions and adjust the charging regime to compensate for typical and dramatic ambient conditions to maximize the life of the battery. An on-board IR receiver shall be standard and pre-programmed to operate from an optional IR user interface device (available as an accessory item).

**BATTERY** (Self-Powered Models Only) - The battery shall be maintenance-free, sealed nickel cadmium utilizing sintered plate construction and polypropylene separators for trouble-free operation. The Vintage Series edge-lit sign shall carry a UL damp location listing for use in ambient conditions ranging from 32° F (0° C) to 104° F (40° C). The battery shall be tested and recognized in accordance with the accelerated life testing requirements of the IEC.

**ILLUMINATION** - The Vintage Series edge-lit exit signs shall be illuminated by high intensity, long-life LEDs. Average legend illumination shall be equal to or greater than 25 fl (79 cd/m<sup>2</sup>).

**HOUSING** - The edge-lit exit housing shall be constructed of premium die cast aluminum available in an array of durable, polyester powder-coated finishes. A standard bar hanger kit shall be supplied to facilitate recessed applications. A clear, acrylic exit panel shall be provided, in red or green, with optional white or mirrored inserts. Field-applied chevrons shall be standard and supplied with an application template.

ALL SPECIFICATIONS SUBJECT TO CHANGE WITHOUT NOTICE



272 West Stag Park Service Road • Burgaw, NC 28425

(910) 259-1131 • FAX (800) 403-6927

www.lightguard.com

L2365R12

1/12 IH