

FLO-TREX VALVES STRAIGHT AND ANGLE SIZES 2.5"- 6" | SUBMITTAL

File No: 35-50
Date: SEPTEMBER 10, 2015
Supersedes: 35-50
Date: SEPTEMBER 20, 2013

Job: _____ Representative: _____
 _____ Ordered by: _____ Date: _____
 Engineer: _____ Submitted by: _____ Date: _____
 Contractor: _____ Approved by: _____ Date: _____

VALVE SCHEDULE				ARMGRIP™ FLANGE ADAPTER						INSULATION (OPTIONAL)		
PUMP NO.	FTV MODEL NO.	QTY.	VALVE PATTERN		FLANGE SIZE	FLANGED BOTH ENDS		FLANGED ONE END		NO FLANGES REQUIRED	IF CHECKED BELOW SUPPLIED	
			ANGLE	STRAIGHT		125/150	250/300	125/150	250/300		ANGLE	STRAIGHT

MATERIALS OF CONSTRUCTION

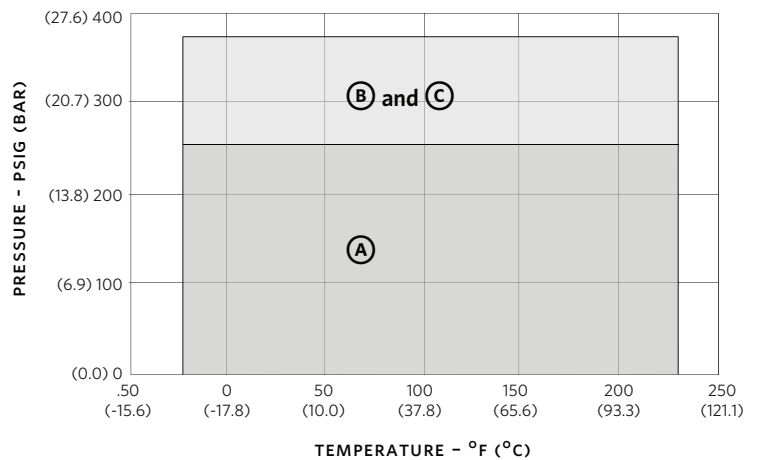
- Body:** Ductile iron ASTM A536 GR 65-45-12
- Disc:** Bronze - ASTM B584 C-84400
- Seat:** High strength engineered resin
- Stem:** Stainless steel ASTM A582 type 416
- Spring:** Stainless steel ASTM A302
- O-Rings:** Buna N.
- Metering ports (2):** NPT Brass body with EPT check and Gasketed cap
- Drain tappings (2):** ¼" with brass plug
- Armgrip™ Flange Adapter:** Ductile Iron ASTM A536 GR 65-45-12 with EPT gaskets
- Insulation:** PVC white cover with mineral fiberglass insulation which meets or exceeds ASTM D1784 Class 14253-C, MEA #7-87, ASTM E84 and ASTM E136 and flame rating of 25 or less and smoke rating of 50 or less

OPTION FEATURE (if checked below supplied)

Viton elastomers for temperatures above 230°F

Note: EPT Elastomers are not suitable for oil service.

PRESSURE TEMPERATURE LIMITS



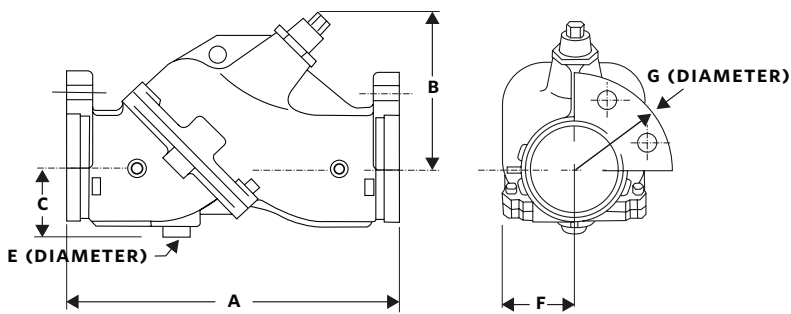
- (A)** Armgrip ductile iron flange adapters for ANSI 150# flanges
- (B)** Armgrip ductile iron flange adapters for ANSI 300# flanges
- (C)** Grooved end with 375 p.s.i. rated pipe coupling

Note
For temperatures between 230°F and 300°F (110°C and 149°C) specify Viton Elastomers.

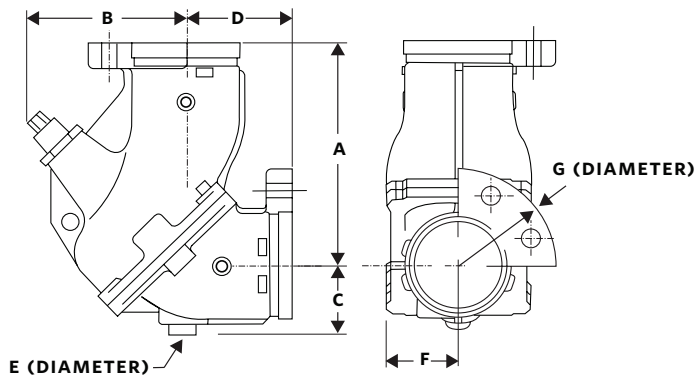
MODEL	FTV-S STRAIGHT inches (mm)					FTV-A ANGLE inches (mm)					
	2.5	3	4	5	6	2.5	3	4	5	6	
CONNECTION SIZE (INS.)											
A	12.00 (305)	12.00 (305)	14.00 (356)	17.50 (445)	20.69 (525)	7.38 (187)	8.19 (208)	9.63 (245)	12.00 (305)	14.13 (359)	
B (fully open)	7.00 (178)	7.81 (198)	8.00 (203)	10.13 (257)	10.38 (264)	7.00 (178)	7.81 (198)	8.00 (203)	10.13 (257)	10.38 (264)	
C	2.75 (70)	2.44 (62)	3.00 (76)	3.63 (92)	4.44 (113)	2.75 (70)	2.44 (62)	3.00 (76)	3.63 (92)	4.44 (113)	
D	—	—	—	—	—	4.63 (118)	3.88 (99)	4.38 (111)	5.50 (140)	6.63 (168)	
E	1.00 (25)	1.00 (25)	1.25 (32)	1.25 (32)	2.00 (51)	1.00 (25)	1.00 (25)	1.25 (32)	1.25 (32)	2.00 (51)	
F	2.56 (65)	3.00 (76)	3.44 (87)	4.94 (125)	5.88 (149)	2.56 (65)	3.00 (76)	3.44 (87)	4.94 (125)	5.88 (149)	
G (flange 125/150 psi)	7.00 (178)	7.50 (191)	9.25 (235)	10.00 (254)	11.00 (279)	7.00 (178)	7.50 (191)	9.25 (235)	10.00 (254)	11.00 (279)	
G (flange 250/300 psi)	7.50 (191)	8.25 (210)	10.00 (254)	11.00 (279)	12.50 (318)	7.50 (191)	8.25 (210)	10.00 (254)	11.00 (279)	12.50 (318)	
Weight lbs (kg)	19 (9.0)	24 (11.0)	42 (19.0)	81 (37.0)	120 (54.0)	19 (9.0)	24 (11.0)	42 (19.0)	81 (37.0)	120 (54.0)	

Dimensions and weights are for reference only. Dimensions are inches (mm) and weights are lbs (kg).

STRAIGHT - MODEL FTV-S



ANGLE - MODEL FTV-A

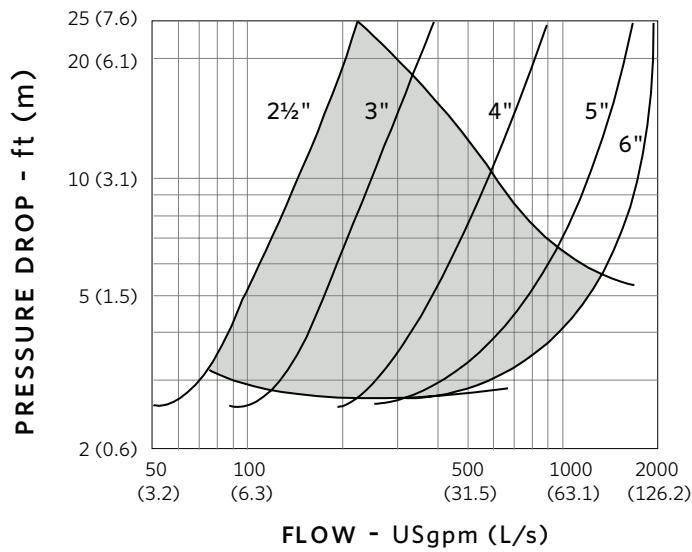


ARMGRIP™ FLANGE ADAPTER DETAILS

VALVE SIZE	125 PSI/150 PSI DUCTILE IRON			125 PSI/150 PSI DUCTILE IRON			REC'D BOLT
	BOLT		BOLT DIA. inches (mm)	BOLT		BOLT DIA. inches (mm)	
	NO	SIZE		NO	SIZE		
2½	4	5/8	5.50 (140)	8	¾	5.88 (149)	2½
3	4	5/8	6.00 (152)	8	¾	6.63 (168)	2½
4	8	5/8	7.50 (191)	8	¾	7.88 (200)	3
5	8	¾	8.50 (216)	8	¾	9.25 (235)	3
6	8	¾	9.50 (241)	12	¾	10.63 (270)	3¾

For Installation and Operating Instructions and Parts List request File No. 35.08

**FLO-TREX PERFORMANCE CURVE
 WITH VALVE IN FULL OPEN POSITION**



TORONTO

23 BERTRAND AVENUE
TORONTO, ONTARIO
CANADA
M1L 2P3
+1 416 755 2291

BUFFALO

93 EAST AVENUE
NORTH TONAWANDA, NEW YORK
U.S.A.
14120-6594
+1 716 693 8813

BIRMINGHAM

HEYWOOD WHARF, MUCKLOW HILL
HALESOWEN, WEST MIDLANDS
UNITED KINGDOM
B62 8DJ
+44 (0) 8444 145 145

MANCHESTER

WOLVERTON STREET
MANCHESTER
UNITED KINGDOM
M11 2ET
+44 (0) 8444 145 145

BANGALORE

#59, FIRST FLOOR, 3RD MAIN
MARGOSA ROAD, MALLESWARAM
BANGALORE, INDIA
560 003
+91 (0) 80 4906 3555

SHANGHAI

NO. 1619 HU HANG ROAD, XI DU TOWNSHIP
FENG XIAN DISTRICT, SHANGHAI
P.R.C.
201401
+86 21 3756 6696

ARMSTRONG FLUID TECHNOLOGY
ESTABLISHED 1934

ARMSTRONGFLUIDTECHNOLOGY.COM

**MAKING
ENERGY
MAKE
SENSE™**