



**MASON INDUSTRIES, Inc.**  
*Manufacturers of Vibration Control Products*  
 NY Mailing Address: PO Box 410, Smithtown, NY 11787  
 350 Rabro Drive 2101 W. Crescent Ave., Suite D  
 Hauppauge, NY 11788 Anaheim, CA 92801  
 631/348-0282 714/535-2727  
 FAX 631/348-0279 FAX 714/535-5738  
 Info@Mason-Ind.com Info@MasonAnaheim.com

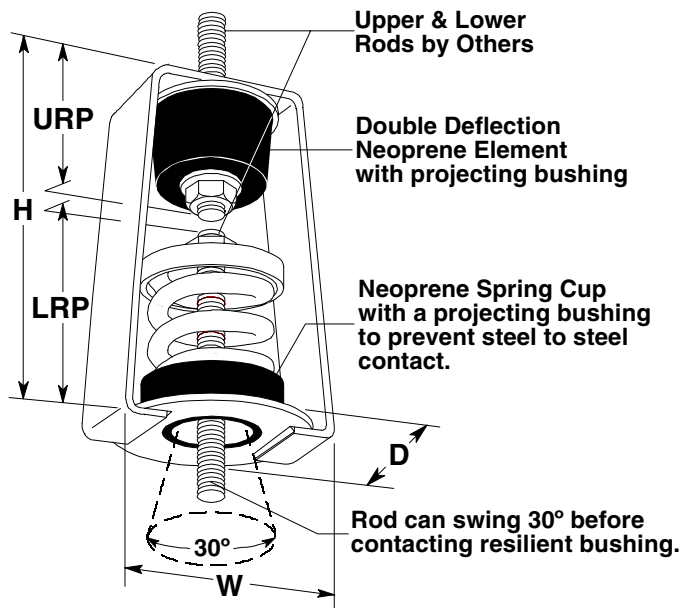
**CERTIFIED FOR**

**JOB NAME :**  
**CUSTOMER :**  
**CUSTOMER P.O. :**  
**MASON M.I. :**  
**DWG. NO. :**

**TYPE**

**30N**

25mm Deflection  
 X, A, B, C, D & F  
 Series Hangers



**TYPE 30N RATINGS**

Size	Rated Capacity [kg]	Rated Defl. <sup>†</sup> [mm]	Spring Constant <sup>††</sup> [kg/mm]	Avg Defl. Neoprene [mm]	Spring Color
30N-X-23	10	38	0.3	5	Brown
30N-X-33	15	33	0.5		Red
30N-X-54	25	36	0.8		White
30N-X-76	35	31	1.3		Black
30N-X-113	51	31	2.0		Yellow
30N-X-130	59	31	2.3		Purple
30N-X-175	79	31	3.1	Silver	
30N-X-210	95	31	3.8	Blue	
30N-A-12	5	34	0.2	9	Red
30N-A-18	8	34	0.3		Gray
30N-A-25	11	34	0.4		Orange
30N-A-41	19	39	0.6		Pink
30N-A-56	25	38	0.9		Black
30N-A-73	33	36	1.2		Tan
30N-A-95	43	35	1.7	Green	
30N-B-138	63	42	1.9	9	White
30N-B-222	101	38	3.4		Blue
30N-B-278	126	37	4.6		Purple
30N-B-336	152	34	6.0		Silver
30N-B-410	186	36	6.9		Black
30N-B-540	245	34	9.6		Yellow
30N-C-630	286	39	10.0	10	Gray
30N-C-800	363	36	14.3		Orange
30N-C-1010	458	38	16.4		Green
30N-C-1265	574	36	22.6		Red
30N-D-1575	714	41	22.9	10	Pink
30N-D-2150	975	36	37.4		Purple
30N-F-2760	1252	36	49.3	10	Silver

**TYPE 30N DIMENSIONS (mm)**

Size Range	D	H	W	LRP	URP	MRD
30N-X-23-210	64	140	73	83	44	10
30N-A-12-25	70	171	83	83	57	16
30N-A-41-95	70	171	83	92	57	16
30N-B-138-540	102	171	121	95	70	16
30N-C-630-1265	121	229	133	127	76	19
30N-D-1575-2150	121	318	146	178	108	22
30N-F-2760	152	368	159	178	127	22

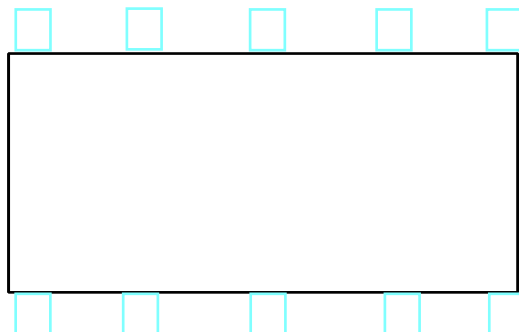
LRP - Lower Rod Penetration  
 URP - Upper Rod Penetration  
 MRD - Maximum Rod Diameter

<sup>†</sup> includes double deflection neoprene element.  
<sup>††</sup> applies to spring only.

All springs have additional travel to solid equal to 50% of Rated Deflection.  
 Hanger elements have straight line deflection curves.

**CERTIFICATION DATA**

TAG : \_\_\_\_\_  
 UNIT : \_\_\_\_\_  
 PLAN VIEW OF HANGER LOCATION:



**mm SPECIFIED DEFLECTION**

1 :	6 :
2 :	7 :
3 :	8 :
4 :	9 :
5 :	10 :
Material for One Set : _____ Sets Required	

DWN : \_\_\_\_\_ CHKD : \_\_\_\_\_ DATE : \_\_\_\_\_

DWG NO. : \_\_\_\_\_