

**ELP**

ENGINEERED LIGHTING  
PRODUCTS

**AKTB SERIES**

**Now with  
LED options!**

RECESSED Wall Washer for T-Bar Lay-in

**Project**

JC Penney Store  
Whittier, California

**Specifier**

Wojno Construction  
Long Beach, California

**Photographer**

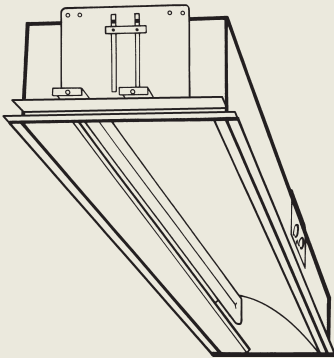
Robin A. Higgin  
South Pasadena, California

**Lighting**

240 BXWW-AKTB, 80 watts



Wall Washer



*Ideal placement is 24" to 36"  
from the front edge of fixture  
to the surface you are lighting,  
for 8' to 12' ceilings.*

**System**

Shallow, high performance LED and fluorescent wall wash fixtures for use in suspended ceiling installations. The formed, high purity aluminum reflector design provides even, unscalped illumination with exceptional lamp shielding and no glare from the normal viewing angle.



TYPE:  
CATALOG #:  
JOB:

RECESSED Wall Washer for T-Bar Lay-in  
LED Fixtures

## Specifications

Recessed, lay-in, high performance LED wall washer for T-Bar installations. The 2' utilizes two or four modules at 22 or 44 watts and the 4' is available with four or eight modules at 44 or 88 watts. The formed reflector is high purity aluminum (99.9%) with 97% reflectance. Indirect reflector design provides even, unscalped illumination and shields the LEDs from all viewing angles. The reflector is easily removable without tools for access to the driver and wiring. Fixture utilizes the Sylvania 3500K distributed array, LED modules that are 80+ CRI and are rated up to 60,000 hours.

TGIC polyester powder-coated housing is made of 22 gauge CRS with cover and knock-outs that provide quick wire access to the side or back of the fixture for through wiring.

c/CSA/us Listing, IC Rated

**U.S. Patent # 5,142,459**

## Options

Driver 120/277 0-10 volt, Osram OT Dim (Standard)

### For Alternate Dimming:

DM6 3-wire/Digital, Lutron ECO Systems L3D

DM7 2-wire, Lutron LTE (120 only)

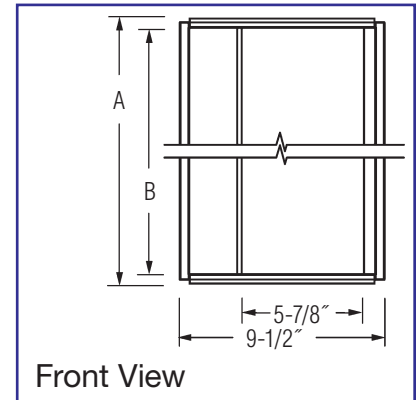
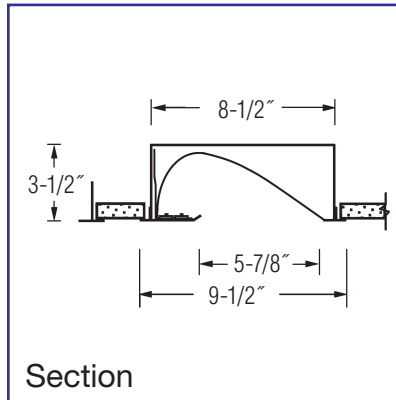
Finish White (Standard)  
Anti-Microbial White -MB  
Custom -Custom

LED Color 3500K (Standard)\*  
3000K - 30K  
4000K - 40K

Reflector Diffuse Silver 97 (Standard)  
Stepped Diffuse Silver -ST  
Painted White -W

Lens Clear Mini Lens -ML  
Frosted Mini Lens -MLF

Louver Diffuse Silver Parallel Blade -LV



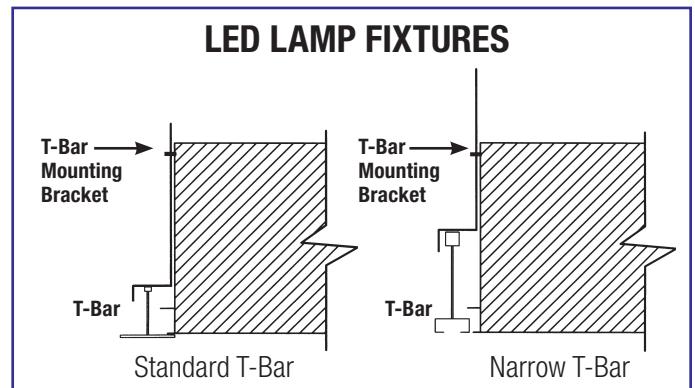
Model No.	A	B	Lamp	Efficacy
222W1WW-AKTB	23-7/8"	23-7/16"	(2) 10.9w Modules, 1 CCT	89
444W1WW-AKTB2	23-7/8"	23-7/16"	(4) 10.8w Modules, 1 CCT	89
444W1WW-AKTB	47-7/8"	47-7/16"	(4) 10.8w Modules, 1 CCT	89
888W1WW-AKTB	47-7/8"	47-7/16"	(8) 10.8w Modules, 1 CCT	89

\* Recommended color temperatures for architectural installations.

Note: Full Lens Option is not available for T-Bar units.

Note: Sylvania provides a 5 year warranty on the lamp driver combination when using their driver for this unit.

Note: Efficacy will vary depending on the driver used.





TYPE:  
CATALOG #:  
JOB:

## RECESSED Wall Washer for T-Bar Lay-in Fluorescent Fixtures

### Specifications

Recessed, lay-in fluorescent wall washer for use with T-5, T-8 or Biax lamps, for T-Bar ceiling installations. May be mounted end to end within the grid. All fixtures are 3-1/2" deep with the exception of the T-8 fixtures. All have integral ballast. The one piece, formed reflector is high purity aluminum (99.9%) with 97% reflectance. It is easily removable without tools for access to the ballast and wiring. Reflector design provides even, unscaloped illumination with complete lamp shielding even when viewed directly beneath fixture.

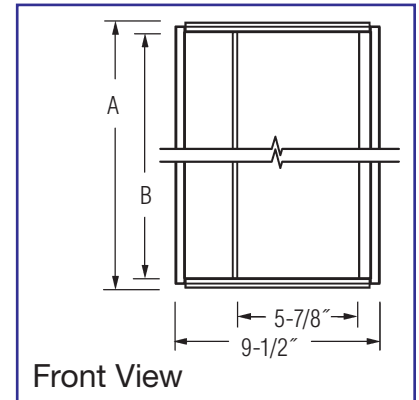
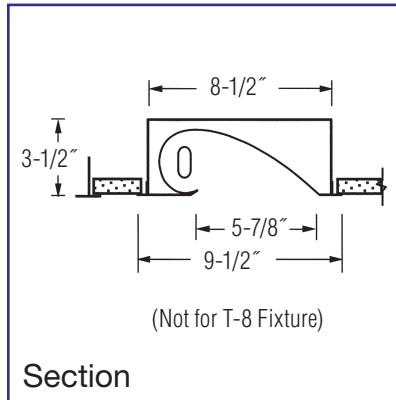
TGIC polyester powder-coated housing is made of 22 gauge CRS with cover and knock-outs that provide quick wire access to side or back of fixture for through wiring. All fluorescent fixtures are supplied standard with Luminaire Disconnect.

UL/CUL Damp Location Listed.

**U.S. Patent #5,142,459**

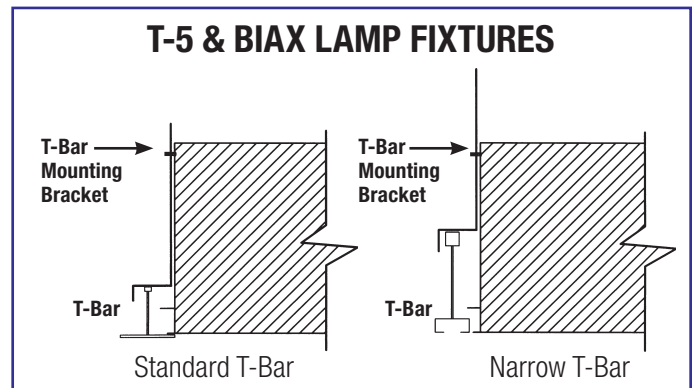
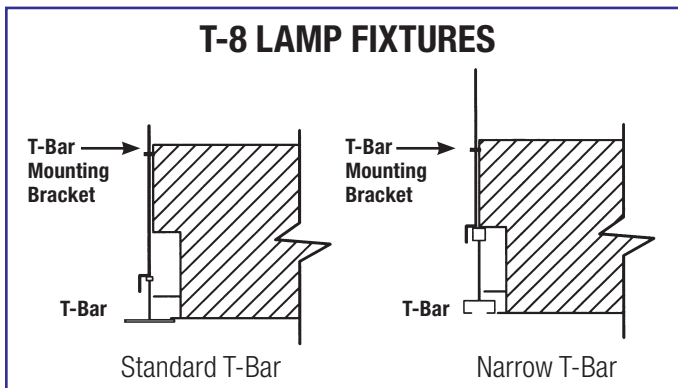
### Options

- Ballast 120 HPF or 277 Electronic (Standard)  
Dimming (Some models) -DM  
Emergency (Some models) -EPP
- Finish White (Standard)  
Anti-Microbial White -MB  
Custom -Custom
- Reflectors Diffuse Silver 97 (Standard)  
Specular Silver -SP  
Stepped Diffuse Silver -ST  
Painted White -W
- Lens Clear Lexan Mini Lens -ML  
Frosted Lexan Mini Lens -MLF
- Louver Diffuse Silver Parallel Blade -LV



Model No.	A	B	Lamp	Efficacy
140 BXWW-AKTB	23-7/8"	23-7/16"	40w Biax	58
150 BXWW-AKTB	23-7/8"	23-7/16"	50w Biax	56
155 BXWW-AKTB	23-7/8"	23-7/16"	55w Biax	62
240 BXWW-AKTB	47-7/8"	47-7/16"	(2) 40w Biax	75
250 BXWW-AKTB	47-7/8"	47-7/16"	(2) 50w Biax	60
255 BXWW-AKTB	47-7/8"	47-7/16"	(2) 55w Biax	75
124 T-5WW-AKTB	23-7/8"	23-7/16"	24w T-5 HO	54
224 T-5WW-AKTB	23-7/8"	23-7/16"	(2) 24w T-5 HO	62
154 T-5WW-AKTB	47-7/8"	47-7/16"	54w T-5 HO	81
254 T-5WW-AKTB	47-7/8"	47-7/16"	(2) 54w T-5 HO	78
117 T-8WW-AKTB†	(add 'CC' if mtg. end to end)*	24"	17w T-8	55
132 T-8WW-AKTB†	(add 'CC' if mtg. end to end)*	48"	32w T-8	75
217 T-8WW-AKTB‡	(add 'CC' if mtg. end to end)*	24"	(2) 17w T-8	52
232 T-8WW-AKTB‡	(add 'CC' if mtg. end to end)*	48"	(2) 32w T-8	52

† T-8 Single lamp housing is 4-1/2"Ht. \* No more than 5 in a row.  
‡ T-8 Double lamp housing is 10"W x 5"Ht.  
\* Standard T-5 lamps are available: for 2' fixture, replace the "24" with "14"; for 4' fixture, replace the "54" with "28"  
NOTE: Efficacy will vary depending on the ballast used.

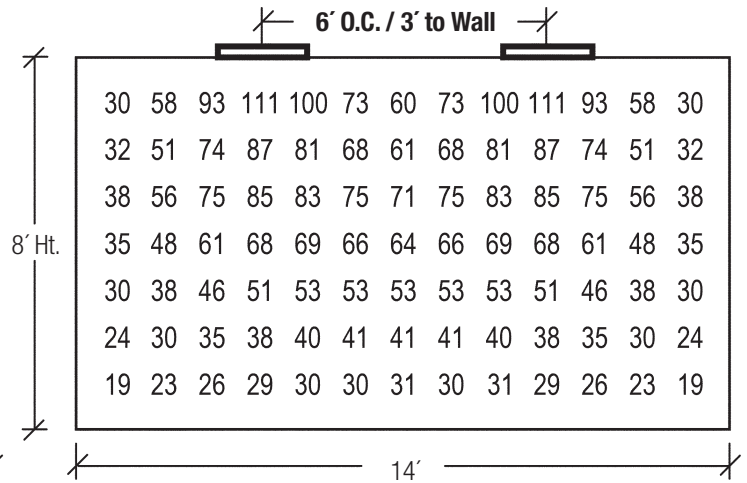
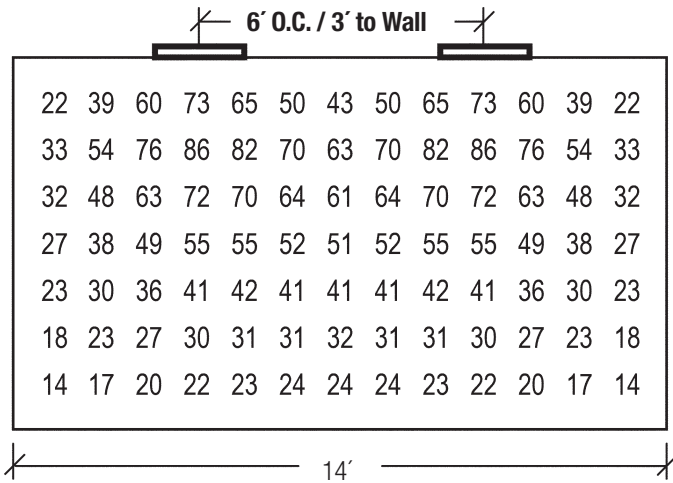




**2' Fixture Comparison – Initial Light Levels**

**150BXWW-AKTB (1) 50 watt Biax Lamp 56 Efficacy**

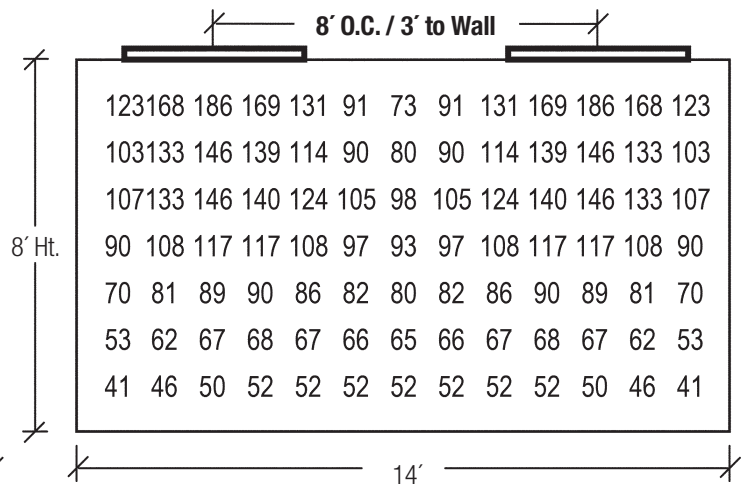
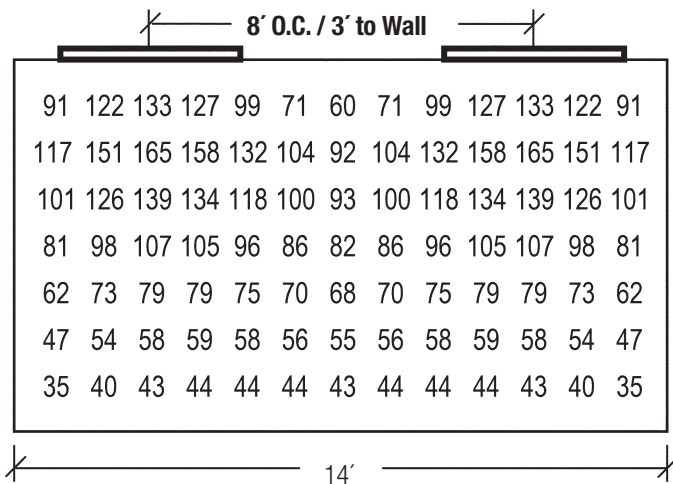
**444W1WW-AKTB2 (4) 11 watt LED Modules 89 Efficacy**



**4' Fixture Comparison – Initial Light Levels**

**250BXWW-AKTB (2) 50 watt Biax Lamp 60 Efficacy**

**888W1WW-AKTB (8) 11 watt LED Modules 89 Efficacy**



Note: Efficacy will vary depending on the ballast or driver used.