

ICL-MR16-4

Pluris Multiple Low Voltage Recessed Series

Trimless MR16 (4) Head



pluris™

Order Matrix | Example: ICL-MR16-4-WNF-1200

A	B	C	D
A Series		C Finishes ¹	
ICL-MR16-4	(4) Lamp 12V MR16	-BNF Black Interior / Trimless -WNF White Interior / Trimless	
B Transformer		D Options	
blank	Magnetic 120V	-1100 C-Channel Bar (pair)	
-27	Magnetic 277V	-1200 Flat Bar (pair)	
E	Electronic 120V		
E-27	Electronic 277V		

Notes:

1 - Consult factory for special order finishes

Accessories

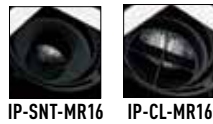
ICL-MR16 will accommodate a maximum of (2) filter media per lamp (order one accessory per lamp). No accessory holder required.

Filters compatible with snoot & standard

PL-CL5-S	Amber Lens
PL-CL6-S	Red Lens
PL-CL9-S	Blue Lens
PFL-CL1-S	Spread Lens
PFL-CL2-S	Linear Spread Lens
PFL-CL3-S	Sand Blasted Spread Lens
PFL-CL7-S	UV Lens

Filters compatible with cross louver

PL-CL5-S16	Amber Lens
PL-CL6-S16	Red Lens
PL-CL9-S16	Blue Lens
PFL-CL1-S16	Spread Lens
PFL-CL2-S 16	Linear Spread Lens
PFL-CL3-S 16	Sand Blasted Spread Lens
PFL-CL7-S 16	UV Lens

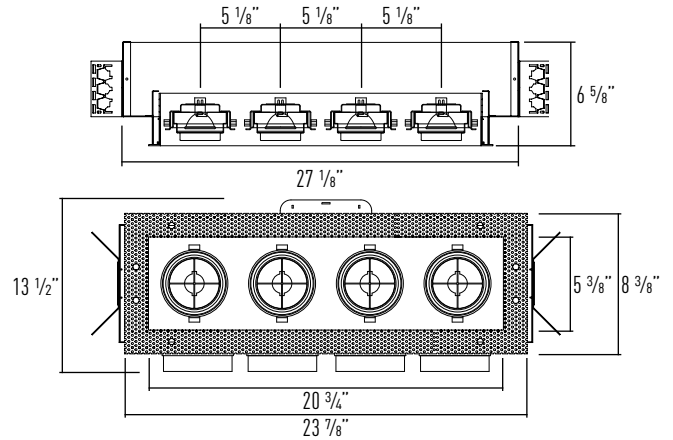


Snoot & Cross Louver

IP-CL-MR16B	Cross Louver, Black
IP-CL-MR16W	Cross Louver, White
IP-SNT-MR16B	Snoot, Black
IP-SNT-MR16W	Snoot, White

Consult factory for compatible diffusion and color filters for use with cross louver accessory.

JOB NAME		CATALOG NUMBER	
NOTES		TYPE	



Cut-out: 6 1/4" x 21 11/16"

DESCRIPTION

The Pluris™ Series is designed for easy installation and fixture maintenance, with all parts and components accessible from below the ceiling. All lamp holders are adjustable 360° horizontal and 40° vertical for spot lighting in multiple directions. The Pluris™ MR16 series is offered with a new construction frame and 1, 2, 3, or 4 lamp configurations.

LAMP

12V MR16 50W max for each lamp

SOCKET

GU5.3

HOUSING

The inner trim is constructed of 22GA steel painted black, white or silver. The internal wire bundles are locked and covered with a glass sleeve. The housing is supplied with a plate to allow the junction box to be accessible from below the ceiling.

MOUNTING

The Pluris™ luminaires can accommodate a 1/2" to 1 1/4" ceiling thickness. The Pluris™ fixture is supplied with channel brackets that allow up-to 5" vertical adjustment. Universal mounting brackets included. Compatible with C-channel, flat bar, and EMT. Bar hangers must be ordered separately. C-channel are recommended for T-bar ceilings.

TRIMLESS

Perforated mesh frame provided, adheres to joint compound for seamless and trimless mounting.

SYSTEM PROTECTION

Electronic: An integral thermal protector is attached to the junction box to guard against misuse of insulation around the fixture and overheating of the fixture.

Magnetic: Transformer has integral thermal protection to transformer.

ELECTRONIC

Integral magnetic or electronic transformer with 120V or 277V input / 12V output. Junction box is ETL listed for through branch wiring. Replacement of transformers are accessible through ceiling opening via access door on housing wall.

ACCESSORIES

MR16 cross louver, snoot and filters available. Must order separately.

LISTING

ETL listed to US and Canadian standards for damp locations



MULTIPLES L/M-018.14 P-11

Intense Lighting, LLC | 3340. E La Palma Ave. | Anaheim, CA 92806 | Phone: 1.800.961.5321 | Fax: 1.800.961.5322 | www.intenselighting.com

Note: Specifications and dimensions subject to change without notice.

