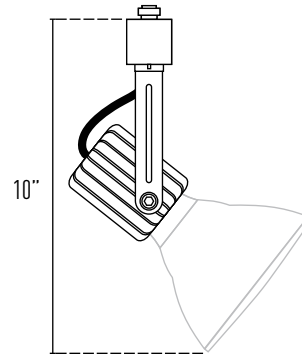


ITL42

Trenton Gimbal For PAR20/30/38 Lamp



Order Matrix | Example: ITL42W

| A | | B | | C | |
|-------|--------------------------|---|--|-------|-----------------------------------|
| A | Series | | | C | Adapter |
| ITL42 | Trenton Universal Gimbal | | | blank | Intense Single / Two Circuit 120V |
| | | | | -PS | Pro-Series 120V |
| B | Finish | | | -J | J-Type Adapter ¹ |
| B | Black | | | -L | L-Type Adapter ¹ |
| SV | Silver | | | | |
| W | White | | | | |

Notes:

1. J-Type & L-Type adapters are for single circuit, Consult factory for two circuit.

DESCRIPTION

Trenton front-loading gimbal specifically designed to accommodate PAR20/30/38 LED lamps. Designed for accurate aiming and position holding. Front loaded lamp screws into socket holding it firmly in place.

FEATURES

- Heavy duty die cast construction
- Fixture is designed to accommodate "heavy" PAR LED lamps
- Locking gimbal ensures the longevity of vertical aiming
- Open back allows for continuous air flow allowing LED lamp operate in an open air environment

TARGET MARKET SEGMENTS

- Retail
- Art galleries and museums
- Hospitality
- Offices
- Residential
- Restaurants

LAMP

LED: PAR20/30/38 25W max.
Incandescent: PAR20/30/38 150W max.
Lamp must be ordered separately.

SOCKET

E26 Medium Base

TRACK COMPATIBILITY

- Track luminaire is designed for use with the following track systems:
- Single Circuit/Single Neutral 120V
 - Two Circuit/Single Neutral 120V (No Dimming)
 - Pro-Series Two Circuit / Two Neutral 120V
 - J-Type & L-Type Adapter are for Single Circuit (Consult factory for Two Circuit)

LISTING/WARRANTY

- UL Listed to US and Canadian Standards for Dry Locations
- One (1) Year Limited Warranty

PAR20/30/38 LED

Lamps for Trenton LED Gimbal

| | | | |
|----------|--|----------------|--|
| JOB NAME | | CATALOG NUMBER | |
| NOTES | | TYPE | |

PAR20 LED



PAR20 E26

| Catalog Number | Wattage | Base | Voltage | Rated Life ¹ | Lumens (lm) ² | CCT ³ | CRI ⁴ | R9 | CBCP | Beam | Power Factor | Dimming |
|--------------------------|---------|--------|---------|-------------------------|--------------------------|------------------|------------------|----|------|------|--------------|---------|
| ILED8PAR20/DIM/830/NFL25 | 8 | Medium | 120 | 50,000 | 350 | 3000K | 85 | 36 | 1260 | 25° | 0.95 | Yes |
| ILED8PAR20/DIM/830/FL36 | 8 | Medium | 120 | 50,000 | 350 | 3000K | 85 | 39 | 710 | 36° | 0.95 | Yes |
| ILED8PAR20/DIM/827/NFL25 | 8 | Medium | 120 | 50,000 | 320 | 2700K | 85 | 45 | 1150 | 25° | 0.94 | Yes |
| ILED8PAR20/DIM/827/FL36 | 8 | Medium | 120 | 50,000 | 320 | 2700K | 85 | 44 | 670 | 39° | 0.94 | Yes |

Professional High CRI Series

| | | | | | | | | | | | | |
|----------------------------|----|--------|-----|--------|-----|-------|----|----|------|-----|-----|-----|
| ILED10PAR20/DIM/P/930/FL30 | 10 | Medium | 120 | 25,000 | 550 | 3000K | 95 | 63 | 1600 | 30° | 0.9 | Yes |
|----------------------------|----|--------|-----|--------|-----|-------|----|----|------|-----|-----|-----|

PAR30 LED



PAR30 E26



PAR30L E26

| Catalog Number | Wattage | Base | Voltage | Rated Life ¹ | Lumens (lm) ² | CCT ³ | CRI ⁴ | R9 | CBCP | Beam | Power Factor | Dimming |
|------------------------------|---------|--------|---------|-------------------------|--------------------------|------------------|------------------|----|--------|------|--------------|---------|
| ILED15PAR30LN/DIM/830/NFL25 | 15 | Medium | 120 | 50,000 | 770 | 3000K | 87 | 54 | 2900 | 25° | 0.77 | Yes |
| ILED15PAR30LN/DIM/830/FL40 | 15 | Medium | 120 | 50,000 | 770 | 3000K | 87 | 55 | 1300 | 40° | 0.77 | Yes |
| ILED15PAR30LN/DIM/827/NFL25 | 15 | Medium | 120 | 50,000 | 700 | 2700K | 84 | 39 | 2910 | 25° | 0.75 | Yes |
| ILED15PAR30LN/DIM/827/FL40 | 15 | Medium | 120 | 50,000 | 700 | 2700K | 84 | 41 | 1420 | 40° | 0.78 | Yes |
| ILED10PAR30/DIM/SG/830/SP10 | 10 | Medium | 120 | 25,000 | 550 | 3000K | 89 | 45 | 12,000 | 10° | 0.82 | Yes |
| ILED10PAR30/DIM/SG/830/WSP15 | 10 | Medium | 120 | 25,000 | 550 | 3000K | 89 | 46 | 5400 | 15° | 0.82 | Yes |
| ILED10PAR30/DIM/SG/830/NFL25 | 10 | Medium | 120 | 25,000 | 550 | 3000K | 89 | 43 | 2500 | 25° | 0.82 | Yes |
| ILED10PAR30/DIM/SG/827/SP10 | 10 | Medium | 120 | 25,000 | 510 | 2700K | 89 | 37 | 11,000 | 10° | 0.82 | Yes |
| ILED10PAR30/DIM/SG/827/WSP15 | 10 | Medium | 120 | 25,000 | 510 | 2700K | 89 | 37 | 5000 | 15° | 0.82 | Yes |
| ILED10PAR30/DIM/SG/827/NFL25 | 10 | Medium | 120 | 25,000 | 510 | 2700K | 89 | 37 | 2300 | 25° | 0.82 | Yes |

Professional High CRI Series

| | | | | | | | | | | | | |
|------------------------------------|----|--------|-----|--------|-----|-------|----|----|------|-----|-----|-----|
| ILED15PAR30/DIM/P/930/FL40 | 15 | Medium | 120 | 25,000 | 880 | 3000K | 95 | 62 | 1700 | 40° | 0.7 | Yes |
| ILED15PAR30/GU24/DIM/P/930/FL40 | 15 | GU24 | 120 | 25,000 | 880 | 3000K | 95 | 62 | 1700 | 40° | 0.7 | Yes |
| ILED17PAR30LN/DIM/P/930/NFL25 | 17 | Medium | 120 | 25,000 | 970 | 3000K | 95 | 62 | 3400 | 25° | 0.7 | Yes |
| ILED17PAR30LN/GU24/DIM/P/930/NFL25 | 17 | GU24 | 120 | 25,000 | 970 | 3000K | 95 | 62 | 3400 | 25° | 0.7 | Yes |

PAR38 LED



PAR38 E26

| Catalog Number | Wattage | Base | Voltage | Rated Life ¹ | Lumens (lm) ² | CCT ³ | CRI ⁴ | R9 | CBCP | Beam | Power Factor | Dimming |
|---------------------------|---------|--------|---------|-------------------------|--------------------------|------------------|------------------|----|--------|------|--------------|---------|
| ILED18PAR38/DIM/830/NFL25 | 18 | Medium | 120 | 50,000 | 900 | 3000K | 87 | 43 | 3100 | 25° | 0.75 | Yes |
| ILED18PAR38/DIM/830/FL40 | 18 | Medium | 120 | 50,000 | 900 | 3000K | 87 | 43 | 1500 | 40° | 0.75 | Yes |
| ILED18PAR38/DIM/827/NFL25 | 18 | Medium | 120 | 50,000 | 860 | 2700K | 84 | 40 | 3680 | 25° | 0.75 | Yes |
| ILED18PAR38/DIM/827/FL40 | 18 | Medium | 120 | 50,000 | 860 | 2700K | 84 | 39 | 1150 | 40° | 0.75 | Yes |
| ILED10PAR38/SG/830/WSP15 | 10 | Medium | 120 | 25,000 | 650 | 3000K | 82 | 27 | 6900 | 15° | 0.9 | No |
| ILED15PAR38/SG/830/SP10 | 15 | Medium | 120 | 25,000 | 760 | 3000K | 89 | 48 | 16,000 | 10° | 0.9 | No |
| ILED15PAR38/SG/830/WSP15 | 15 | Medium | 120 | 25,000 | 760 | 3000K | 89 | 48 | 7500 | 15° | 0.9 | No |
| ILED15PAR38/SG/827/SP10 | 15 | Medium | 120 | 25,000 | 700 | 2700K | 89 | - | 15,000 | 10° | 0.9 | No |
| ILED15PAR38/SG/827/WSP15 | 15 | Medium | 120 | 25,000 | 700 | 2700K | 89 | - | 7000 | 15° | 0.9 | No |
| ILED15PAR38/SG/830/WSP12 | 15 | Medium | 120 | 25,000 | 760 | 3000K | 89 | - | 11,000 | 12° | 0.9 | No |

Professional High CRI Series

| | | | | | | | | | | | | |
|----------------------------|----|--------|-----|--------|------|-------|----|----|------|-----|-----|-----|
| ILED21PAR38/DIM/P/930/FL30 | 21 | Medium | 120 | 25,000 | 1150 | 3000K | 95 | 62 | 1700 | 30° | 0.7 | Yes |
|----------------------------|----|--------|-----|--------|------|-------|----|----|------|-----|-----|-----|

Notes: 1. Hours lifetime with 70% lumen maintenance 2. Thermally stable typical lumens (±10%) 3. Thermally stable typical CCT (±10%) 4. CRI – Color Rendering Index