

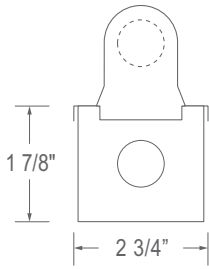
Fluorescent lighting

DSN

Commercial Narrow Strip



Dimensions



Job Information

Type:

Catalog #:

Project:

Comments:

Prepared by:

Application

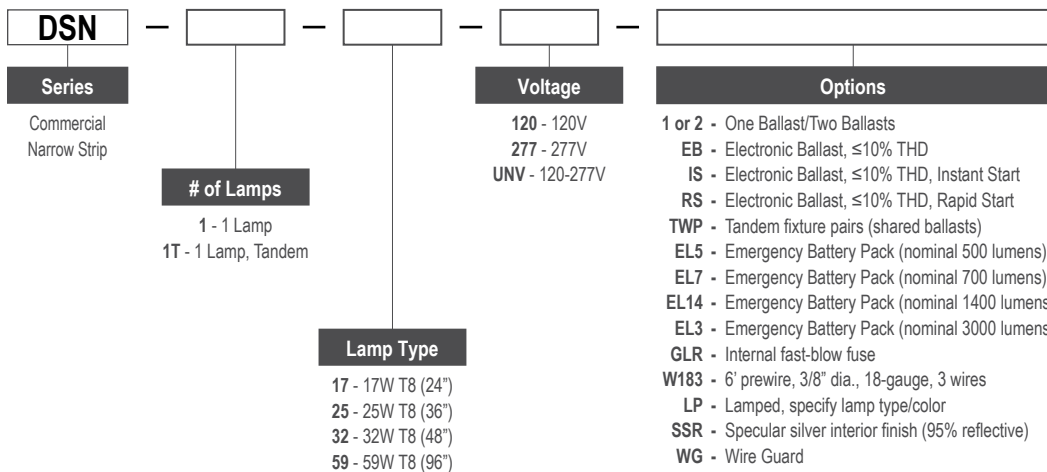
The DSN series is a functional and multi-purpose narrow strip family that incorporates premium performance and construction durability. This series can be installed using various mounting methods and numerous options and accessories are available. The fixture can be the illumination solution in commercial, industrial, institutional and retail applications. An excellent choice for storage/utility areas, coves, display cases, shops, task and general area lighting.

Features

- Equipped with energy saving ballast/complies with federal energy efficiency standards
- Die formed 20 gauge channel
- End plate converts to channel aligner for continuous row mounting
- Positive lock lampholders
- Powder coated white enamel finish after fabrication
- Easy wireway access/wireway cover removed without tools
- Numerous KOs for easy installation
- Also available in tandem 8' lengths
- UL listed, CSA certified

ORDERING INFORMATION:

Example: (DSN-1T-17-120-SSR)



Fluorescent lighting

DSN

Commercial Narrow Strip

Job Information

Type:

Catalog #:

Project:

Comments:

Prepared by:

Dimensions

