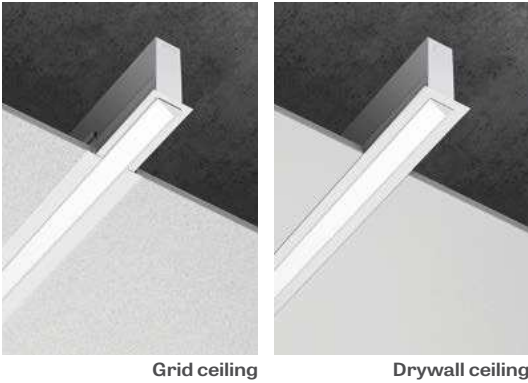


VIA 1.5 LED

RECESSED WALL WASH



Grid ceiling

Drywall ceiling

DESCRIPTION

Via 1.5 is the elegant, ultra-compact and flexible linear LED luminaire system for pendant, surface, and recessed or in-wall installation, whether as discrete luminaires, continuous runs, or patterns. Via 1.5 features both wall wash and asymmetric optical configurations, which are difficult to achieve in such a compact luminaire. See separate spec sheets for patterns and other available mountings.

PROJECT: _____

TYPE: _____

NOTES: _____

ORDER GUIDE

IC RATED

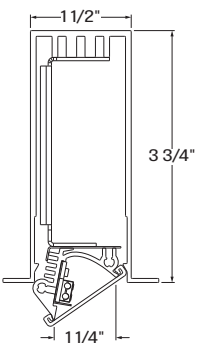
VIA1.5R	WRO	LED			
LUMINAIRE ID	OPTICS	LIGHT SOURCE	CRI	LUMEN PACKAGES	COLOR TEMP.
VIA1.5R - via 1.5" recessed	WRO - wall wash reflector optic	LED - high performance LED	80 - 80CRI 90 - 90CRI (consult factory)	375 - low output 375lm/ft 500 - med. output 500lm/ft	30 - 3000k 35 - 3500k 40 - 4000k

LUMINAIRE LENGTH	VOLTAGE	DRIVER	ELECTRICAL
Standard sections - 2', 3', 4', 5', 8' & 12' For all other specify length #FT - nominal length in feet #IN - length in inches Continuous Run - for luminaires over 12' Minimum Individual section 2'	120 - 120V 277 - 277V UNV - 120V-277V 347 - 347V	D - dimming 0-10V DA - Dali LA2 - Lutron Hi-Lume A - 2 wires 120V LA3 - Lutron Hi-Lume A - 3 wires/EcoS LEH - Lutron EcoSystem H LE5 - Lutron EcoSystem 5 OTH - other (consult factory)	1 - 1 circuit +EB - emergency battery pack (for min 4' fixture) +EM - emergency light circuit +NL - night light circuit

MOUNTING	FINISH	CONTROLS	OPTIONS
TG9 - tegular 9/16" TG15 - tegular 15/16" TB9 - t-bar 9/16" TB15 - t-bar 15/16" ST - screw slot t-bar DTR - drywall trim DTL - drywall trimless DMF - drywall mud flange OHC - other ceiling (specify)	W - matte white CF# - custom finish specify RAL#	WIRELESS EWC - EnOcean Wireless Controller LMC - Lutron Motion Controller LDC - Daylight Controller	FU - fuse FWC - flexible whip cable (6' std) CP - Chicago Plenum CU - custom

See page 2 for ordering code detailed information

CROSS SECTION



VIA1.5R - asymmetric

OPTICS

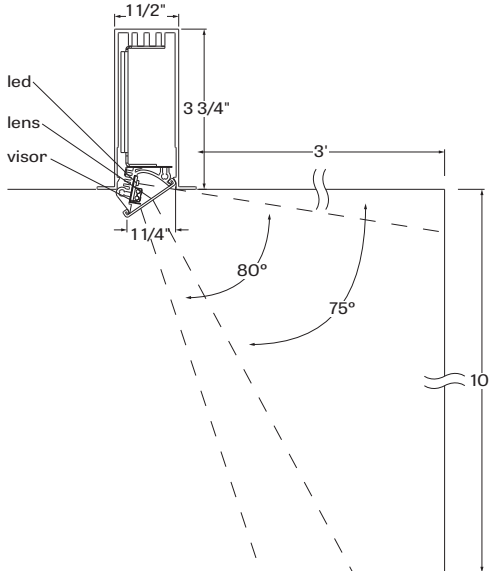


WRO - Wall Wash Reflector Optic



OPTICS

WALL WASH REFLECTOR OPTIC (WRO) - delivers smooth vertical illumination down the wall with a gentle, monotonic gradient. Peak intensity directed to the wall is achieved at 20° from vertical and is more than six times the intensity above 75°. WRO uses a specular aluminum reflector, combined with a high-transmission diffusing film. A "visor" shields luminaire hardware from lateral viewing angles.



LIGHT SOURCE - LED

Custom Linear array of mid-flux LED's are aluminum-mounted for optimal thermal performance. Available in 3000K, 3500K and 4000K with a minimum 80 CRI and an option for 90 CRI with elevated R9 value. Color consistency maintained to within 3 SDCM. LEDs operated at reduced drive current to optimize efficacy and lumen maintenance.

All LEDs have been tested in accordance with IESNA LM-80-08 and the results have shown L80 lumen maintenance greater than 60,000 hours. Absolute product photometry is measured and presented in accordance with IESNA LM-79, unless otherwise indicated.

PERFORMANCE PER 4' AT 4000K

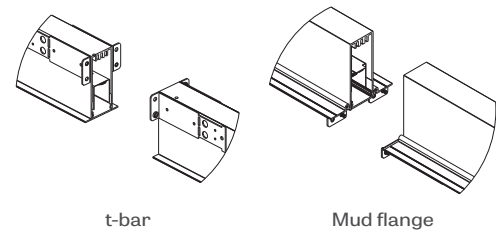
LED output	Color Temp	Watts	Nominal Delivered Lumens	Efficacy LPW
low output	4000K	27	1500	56
medium output	4000K	36.5	2000	55

LUMINAIRE LENGTH

Via 1.5 is made up of standard 2, 3, 4, 5, 8 and 12 foot sections that may be joined together to create longer continuous run lengths. Exact run length must be noted in the product code. The minimum individual section available is 2 foot.

All individual sections are joined together onsite using the joiner kits provided. LumenWerx offers joiner kits that are extremely simple to work with in the field and result in a fixture that appears virtually seamless with no light leak at any connection.

Joining system



ELECTRICAL

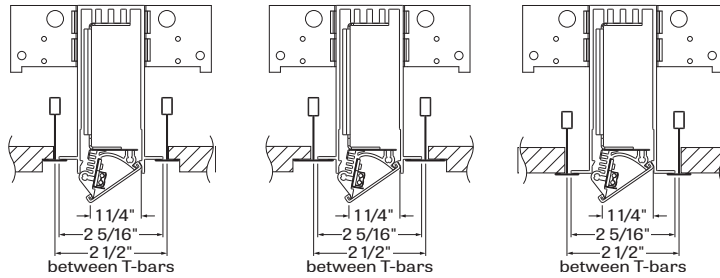
Factory-set adjustable output current electronic driver with 120-277V AC line input. Dimmable from at least 100%-5% with 0-10V control. Rated life (90% survivorship) of 50,000 hours at 50°C max. ambient (and 70°C max. case) temperature. At maximum driver load: Efficiency > 84%, PF > 0.9, THD < 20%. Other specifiable options include Lutron Hi-Lume A (specify 2, 3 or 4 wires), EcoSystem H (100%-1%, fade-to-black) and EcoSystem 5 (100%-5%) dimmable drivers and DALI protocol drivers.

EMERGENCY

Factory installed long life high temperature recyclable Ni-Cad battery pack with test switch and charge indicator, minimum of 90 minutes operation, up to 1000 lumens per 4ft (25°C) emergency lighting output. Recharge time of 24 hours.

MOUNTING OPTIONS

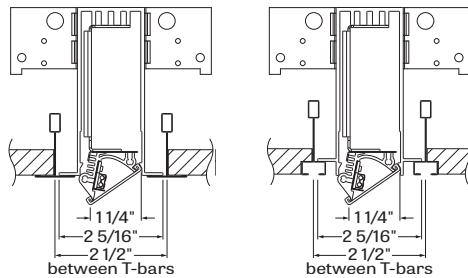
Recess mount into exposed or concealed T-Bar or Tegular grid ceiling



TG9 - tegular 9/16"

TG15 - tegular 15/16"

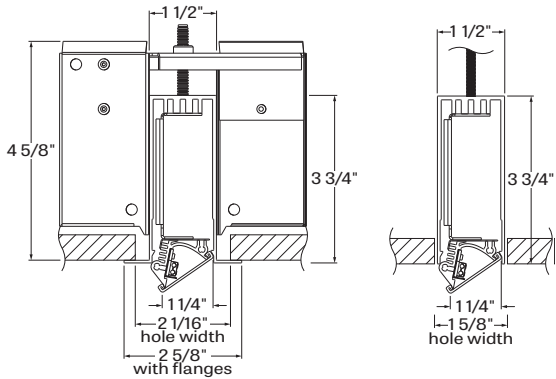
TB9 - t-bar 9/16"



TB15 - t-bar 15/16"

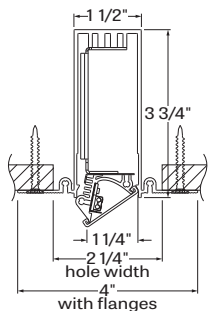
ST - screw slot t-bar

Mounting for drywall ceilings are available with visible trim, mud flange trim or trimless



DTR - drywall trim

DTL - drywall trimless



DMF - drywall mud flange

FINISH

Interior - 95%, reflective matte powder coated white paint

Exterior - matte white or silver powder coating. Custom finishes are also available.

CONTROLS

LumenWerx offers several options for integrating occupancy and daylight controls into Via 1.5 luminaires. Wireless options incorporate a wireless controller/powerpack into the luminaire, which receives signals from a wireless sensor (by others) installed in the space. The advantages of the wireless option include greater flexibility of control options, sensor coverage and system integration.

Wireless

EnOcean Wireless Controller (EWC) provides both a power pack for presence detection control and a 0-10V interface for daylight harvesting. EnOcean wireless sensors (by others) mounted in the room signal the onboard EWC. This option permits manual on/automatic off (vacancy) control.

Lutron Motion Controller (LMC) and Daylight Controller (LDC) provide inputs to Ecosystem drivers. Compatible Lutron wireless motion and daylight sensors (by others) mounted in the room signal onboard LPC or LDC. This option permits manual on/automatic off (vacancy) control.

CONSTRUCTION

Housing - Extruded Aluminum (0.095" nominal) up to 90% Recycled Content

Interior brackets - Die formed cold rolled sheet steel 18 gauge thick

Joining system - Die cast Zinc (0.95" nominal) and die Formed galvanized sheet 18 gauge

Reflectors - Extruded Aluminum (0.070" nominal) up to 90% Recycled Content.

Mud flange - Extruded Aluminum (0.075" nominal) up to 90% Recycled Content

Slip-through bracket - Die Formed galvanized sheet 18 gauge

End plate - Die formed cold rolled sheet steel 18 gauge thick

WEIGHT

Via 1.5 4ft - 7.16lbs - 3.25kg

Via 1.5 8ft - 14.32lbs - 6.5kg

Via 1.5 12ft - 21.48lbs - 9.75kg

VIA 1.5 LED

RECESSED WALL WASH

LUMENWERX
WWW.LUMENWERX.COM

CERTIFICATIONS

ETL - Rated for Dry/Damp locations. Conforms to UL Standard 1598 and certified to CAN/CSA Standard C22.2 No. 250.0.

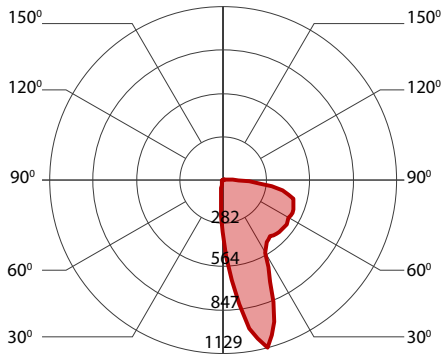
Chicago plenum - City of Chicago Approved (CCEA)

IC rated - suitable for direct contact with insulation.

WARRANTY

LumenWerx provides a five-year limited warranty of electrical and mechanical performance of the luminaires, including the LED boards, drivers, and auxiliary electronics. LumenWerx will repair or replace defective luminaires or components at our discretion, provided they have been installed and operated in accordance with our specifications. Other limitations apply, please refer to the full warranty on our website.

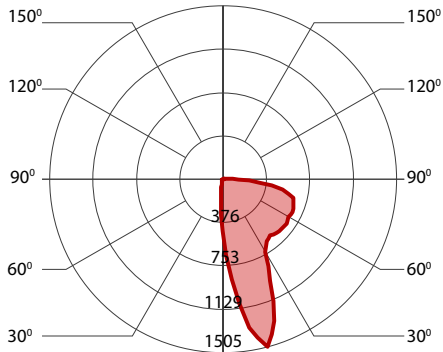
375 LUMEN AT 80CRI - LOW OUTPUT



PERFORMANCE PER 4'

LED output	Color Temp	Watts	Nominal Delivered Lumens	Efficacy LPW
low output	3000K	29	1500	52
low output	3500K	28	1500	54
low output	4000K	27	1500	56

500 LUMEN AT 80CRI - MEDIUM OUTPUT



PERFORMANCE PER 4'

LED output	Color Temp	Watts	Nominal Delivered Lumens	Efficacy LPW
medium output	3000K	39	2000	51
medium output	3500K	38	2000	53
medium output	4000K	36.5	2000	55