

Order Form / RFQ

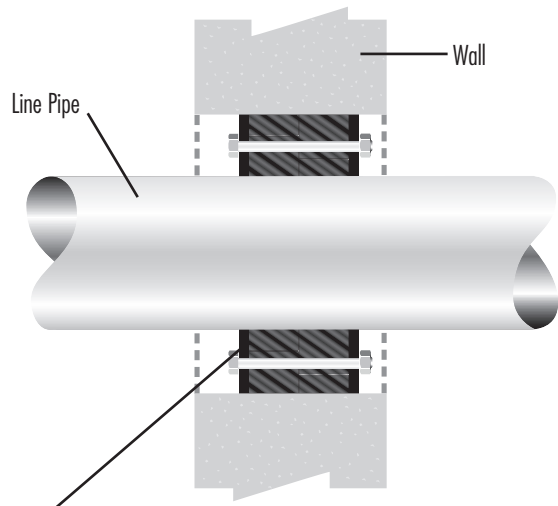
PEN-SEAL / MODEL PS

The PROCO PRODUCTS PEN-SEAL forms a mechanical rubber seal between pipes going through walls, floors, vaults, tanks, and pipeline casings and makes a watertight seal between a pipe and a wall hole. It can also be used to seal a gap between an inner pipe and an outer pipe sleeve or pipeline casing. The PENSEAL also will seal the gap between the electrical conduit and the outer conduit, or between the electrical conduit and the wall hole it passes through.

PROCO PRODUCTS PEN-SEAL is designed to form a hydrostatic seal of up to 20 psig and up to 40 feet of head. The PENSEAL, in addition to its sealing properties, helps absorb vibrations, shocks, and sound waves. It also insulates the inner pipe from all other outer structures, including outer pipe sleeves, pipeline casings, walls and tanks.

The PEN-SEAL is made from synthetic rubber with heavyduty plastic pressure plates, which are resistant to sunlight and ozone. All bolts and nuts are plated with an anti-corrosive coating. Stainless steel nuts and bolts are also available.

- IPS** = Schedule 40 or Standard Weight Pipe
Plastic Pipe
API Pipe
Electrical Conduit
Any pipe with same O.D.
- CT** = Copper Tubing
Any pipe with same O.D.
- EMT** = Electrical Metallic Tubing
- IMC** = Intermediate Metal Conduit
- RSC** = Rigid Steel Conduit
- DI** = Ductile Iron Pipe
Plastic Pipe
Any pipe with same O.D.
- CI (EH)** = Cast Iron (Extra Heavy)
- CI (SW)** = Cast Iron (Service Weight)



PEN-SEAL Wall Penetration Seal by PROCO PRODUCTS, INC.

To use as Order Form or Request For Quotation (RFQ), print this page and fax your information to PROCO PRODUCTS, INC. at **(209) 943-0242**.

QTY.	NOMINAL PIPE SIZE (Inches)	TYPE OF PIPE	PIPE O.D.	INNER PIPE THROUGH A CORE DRILLED HOLE			INNER PIPE THROUGH A WALL SLEEVE			NOTES
				HOLE DIA. (Inches)	PEN-SEAL MODEL NUMBER	REQUIRED NUMBER OF LINKS	SLEEVE I.D. (Inches)	PEN-SEAL MODEL NUMBER	REQUIRED NUMBER OF LINKS	

CUSTOMER _____

PROJECT _____

ENGINEER _____

ARCHITECT _____

ORDER NO. _____

PEN-SEAL / MODEL PS