
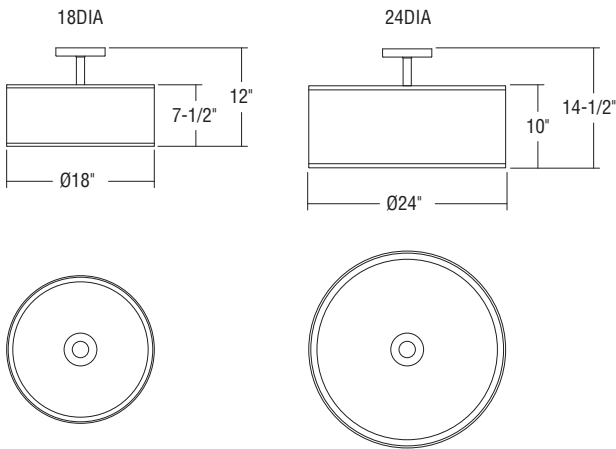


SPECIFICATIONS	Interior	TEXTURES
	<h1>5801</h1> <h2>GISELLE</h2>	Type: Project: Qty:



Warranty

1-year limited warranty on fluorescent. Complete warranty terms located at www.acuitybrands.com/CustomerResources/Terms_and_conditions.aspx

Actual performance may differ as a result of end-user environment and application.

CATALOG NUMBER

Example: **WFC5801 18DIA 2/60A19 120 FAB1 AB**

Series	Diameter	Source	Voltage	Lens Parchment	Finish	Special
WFC5801 Giselle Texture Series	18DIA 18 Inch Nominal Diameter	2/60A19 (2) 60w A19/Medium 2/26DTT (2) 26w Quad Tube/G24q3	120 120V 277 277V	FAB1 Linen Cream FAB2 Beige Homespun FAB3 Desert Beige FAB4 Olive Drab FAB5 Stone Blue FAB6 Linda Red FAB7 Natural Onion Skin FAB8 Kinwashi FAB9 Kozo Natural	AB Antique Brass Over Brass BB Brushed Brass BN Brushed Nickel CPF* Custom Paint Finish CMF* Custom Metal Finish	MOD* Modification / Consult Factory
	24DIA 24 Inch Nominal Diameter	4/60A19 (4) 60w A19/Medium 4/26DTT (4) 26w Quad Tube/G24q3	347* 347V			

Describe Modification:

Notes

- UL listed and cUL approved
- Winona Lighting products are union made.
- Custom Sizes and Finishes available upon request.
- All Fluorescent fixtures available in 120V and 277V.
- Winona Lighting reserves the right to make design changes without prior notice.
- Lamps not included.
- *Available by modification only. Consult factory.

Weight

2/60A19-WFC5801-18DIA	9lbs
2/26DTT-WFC5801-18DIA	10lbs
4/60A19-WFC5801-24DIA	12lbs
4/26DTT-WFC5801-24DIA	13lbs