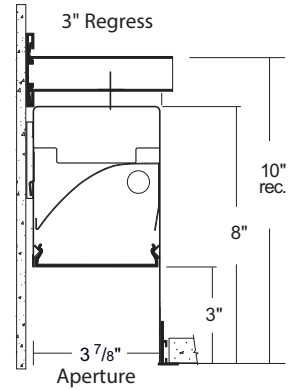
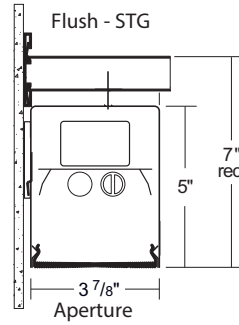
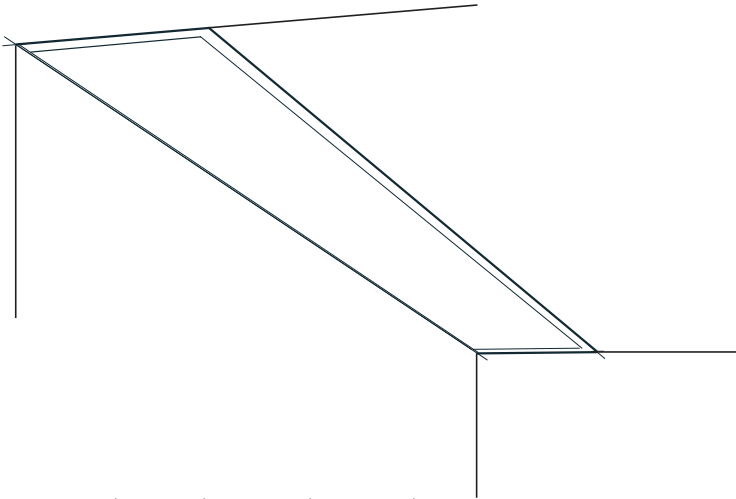
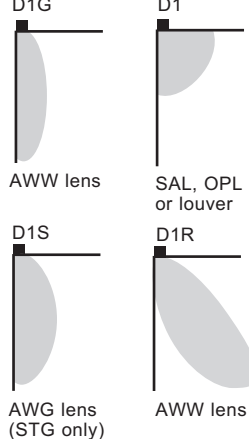


P43 Perimeter Cove & Perimeter



series/ style	lens position	Lamp Rows	nominal length	shielding	trim color	distribution	circuiting	mounting	voltage	ceiling system	options
P43-__											
PSTD standard	FLSH flush lens	1T8	02'	AWW acrylic wall wash lens (use D1G or D1R dist)	TMW textured matte white	D1 direct	SC single circuit	WTW wall to wall	120	X1 exposed T-Bar	EML emergency battery (600-700 lumens)
PSTG staggered (N/A D1R) (1 lamp only)	REG3 3" regress lens	2T8 (N/A PSTG)	03'	AWG acrylic wall graze lens (use D1S, STG only)	YGW gloss white	D1G asymmetric 5" wall grazer	DC dual circuit (2 lamp)	LP light pocket	277 347 UNV 120-277	X2 Interlude T-Bar	EMH emergency battery (1100-1400 lumens)
		1T5/HO	06'		Y premium Color	D1S asymmetric with grazer (STG only)				X3B hard ceiling (overlapping flange)	DM dimming, specify manufacturer, voltage, and other requirements
		2T5/HO (N/A PSTG)	08'	SAL satin acrylic lens	CC custom color	D1R asymmetric to room (15") (N/A REG3) (N/A STG)				X6 slot grid	RSE rapid-start electronic
		R__	*row length	OPL opal frost acrylic lens	*standard	*1 lamp only, must use AWW lens				X7 hard ceiling (concealed flange)	10THD ballast w/ < 10% total harmonic distortion
			LED or staggered recom- mended beyond 8' to avoid socket shadow	PRA prismatic acrylic lens							B_ specify ballast, manu- facturer & catalog #
				SPL silver parabolic louver							FH fixture fusing (slow blow)
				BLA bladed louver- anodized							C2 90° 2-way corner w/ acrylic lens, lit corners on STG & DIG/D1R only
				BLW bladed louver - white							QC quick-connect circuit assemblies
											*consult factory

Distribution (optics)



Features A narrow 4" wide recessed perimeter lighting system in either a standard or a staggered lamp configuration for single T8 or T5/HO lamp rows to provide continuous lighting without socket shadows along the entire row length. Standard lamping for 2T5 or T5HO lamp rows have offset lamps within modular rows to mitigate socket shadows. T8 lamps in standard configuration are end to end in modular rows and are not offset.

Construction The housing, available in 2-, 3-, 4-, 6- or 8-foot standard lengths, is made of die-formed 20-gauge steel. Louver material is semispecular, low iridescent aluminum. Snap-in prismatic lens is clear extruded acrylic. Snap-in satin acrylic lens is clear frost extruded acrylic with a matte finish for soft, even light transmission. AWW lens is designed with micro prisms for optical performance and **MUST** be used for D1G wall graze.

NOTE: All D1G/D1R & PSTG include gear trays.

Finish The standard housing and trim color is textured matte white (TMW) using polyester powder paint.

Electrical T8 fixtures have instant-start electronic ballasts with less than 20% THD. T5 and T5HO fixtures have programmed start electronic ballast with less than 10% THD. Fixtures are U.L. Damp labeled (non-emergency) and I.B.E.W. manufactured. Maximum ballast size available on non-staggered models: 2 3/8" width x 1 1/4" height. Maximum ballast size available on staggered models: 1 3/4" width x 1 1/4" height.

Mounting Fixture is to be recessed-mounted into exposed T-bar or hard ceiling applications.

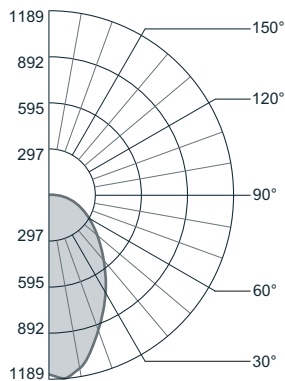
Cove & Perimeter **P43 Perimeter**

photometric data

P43-PSTD-REG3-1T5HO-AWW-D1G Candlepower Summary

Report #LL10810714Ro1 D=100% I=0.0%
Spacing Criteria: Along 1.00; Across 1.16

Delivered Lumens: 2011
Input Watts: 32.55
Efficiency: 77.30%



Zonal Lumen Summary

Zone%	%Lamp	% Luminaire
0-90	76.00	98.20
90-180	1.40	1.80

Vertical Angle	Horizontal Angle				
	0°	22.5°	45°	67.5°	90°
0	1159	1159	1159	1159	1159
5	1189	1184	1181	1173	1150
10	1136	1139	1155	1159	1127
15	1038	1050	1089	1122	1090
20	928	942	995	1060	1037
25	826	839	890	978	970
30	729	740	784	879	888
35	635	646	682	770	793
40	546	557	587	659	687
45	466	474	499	552	576
50	395	401	418	454	466
55	341	345	354	377	376
60	287	289	290	300	288
65	240	240	234	230	201
70	197	195	186	170	147
75	154	152	141	120	95
80	113	110	99	79	54
85	73	69	59	46	24
90	35	33	28	15	9

Coefficients of Utilization (%)

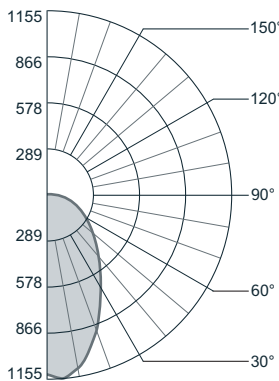
	effective floor cavity reflectance = .20																		
	Floor			Ceiling			Wall			80			70			50			
	70	50	30	10	70	50	30	10	50	30	10	70	50	30	10	50	30	10	
0	92	92	92	92	89	89	89	89	85	85	85	85	85	85	85	85	85	85	85
1	85	81	78	76	82	79	77	74	76	74	72	76	74	72	76	74	72	76	74
2	78	72	67	63	76	71	66	62	68	64	61	68	64	61	68	64	61	68	64
3	72	64	59	54	70	63	58	53	61	56	52	61	56	52	61	56	52	61	56
4	66	58	52	47	64	57	51	47	55	50	46	55	50	46	55	50	46	55	50
5	61	52	46	41	60	51	45	41	50	44	40	50	44	40	50	44	40	50	44
6	57	48	41	37	56	47	41	37	45	40	36	45	40	36	45	40	36	45	40
7	53	44	37	33	52	43	37	33	42	36	33	42	36	33	42	36	33	42	36
8	50	40	34	30	49	40	34	30	39	33	30	39	33	30	39	33	30	39	33
9	47	37	31	27	46	37	31	27	36	31	27	36	31	27	36	31	27	36	31
10	44	35	29	25	43	34	29	25	33	28	25	33	28	25	33	28	25	33	28

photometric data

P43-PSTG-REG3-1T5-04'-AWG-D1S Candlepower Summary

Report #Lo81404201 D=97.30% I=2.70%
Spacing Criteria: Along 1.2; Across .90

Delivered Lumens: 1745
Input Watts: 34.42
Efficiency: 51%



Zonal Lumen Summary

Zone%	Lumens	% Luminaire
0-90	1697.28	97.30
90-180	47.89	2.70

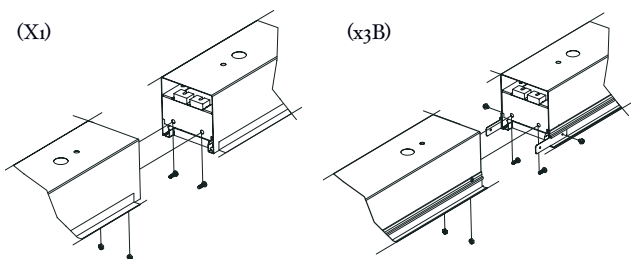
Vertical Angle	Horizontal Angle				
	0°	25°	45°	65°	90°
0	1131	1131	1131	1131	1131
5	1144	1144	1146	1148	1120
10	1042	1066	1107	1132	1102
15	887	930	1008	1091	1080
20	726	770	870	1010	1035
25	640	656	731	908	984
30	590	593	627	794	912
35	535	543	555	669	821
40	481	486	492	562	705
45	424	428	431	472	578
50	376	376	375	398	452
55	333	331	322	328	341
60	302	295	282	273	257
65	271	260	239	216	178
70	238	229	202	171	116
75	210	197	168	131	71
80	178	166	136	96	37
85	142	132	105	67	13
90	98	90	71	42	0

Coefficients of Utilization (%)

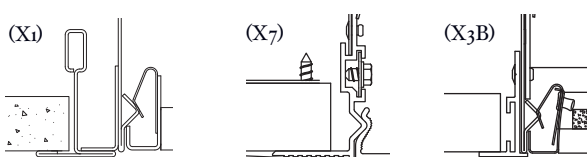
	effective floor cavity reflectance = .20																		
	Floor			Ceiling			Wall			80			70			50			
	70	50	30	10	70	50	30	10	50	30	10	70	50	30	10	50	30	10	
0	1181	1181	1181	1181	1151	1151	1151	1101	1101	1101	1101	1101	1101	1101	1101	1101	1101	1101	1101
1	1091	1041	100	97	106	102	98	95	97	94	91	97	94	91	97	94	91	97	94
2	100	93	86	81	97	90	85	80	86	82	78	86	82	78	86	82	78	86	82
3	92	83	75	69	90	81	74	69	78	72	67	78	72	67	78	72	67	78	72
4	85	75	67	60	83	73	66	60	70	64	59	70	64	59	70	64	59	70	64
5	79	68	59	53	77	66	59	53	64	57	52	64	57	52	64	57	52	64	57
6	74	62	54	48	72	61	53	47	59	52	47	59	52	47	59	52	47	59	52
7	69	57	49	43	67	56	48	42	54	47	42	54	47	42	54	47	42	54	47
8	65	52	45	39	63	52	44	39	50	43	39	50	43	39	50	43	39	50	43
9	61	49	41	36	60	48	41	35	47	40	35	47	40	35	47	40	35	47	40
10	58	45	38	33	56	45	38	33	44	37	33	44	37	33	44	37	33	44	37

installation

Adjoining Detail



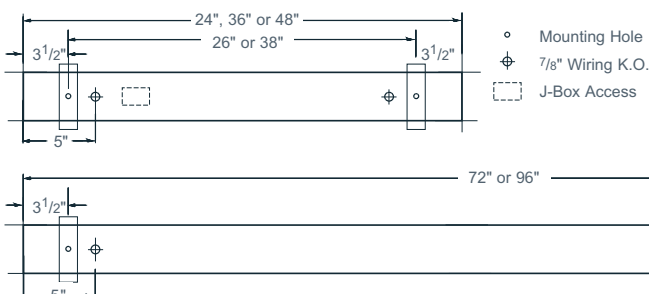
Ceiling Systems



Framing Dimensions X3B & X7

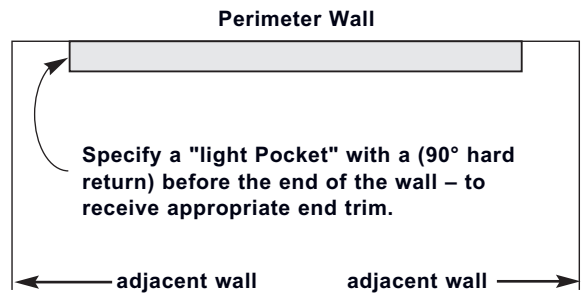
Add 1/2" in fixture width, Add 5/8" in fixture length.

Mounting Locations



P43 Perimeter Cove & Perimeter

Frosted



1 lamp Staggered System (STG)

Typical Row Examples - Lamp quantities and wattages are dependant on row size.

T5/T5HO - (3) 3' 21w or 39w lamps - Gear Trays: (1) 3' and 1 (6') Telescoping



T5/T5HO - (2) 3' 21w or 39w lamps and (2) 4' 28w or 54w lamps - Gear Trays: (1) 6' and 1 (8') Telescoping



T5/T5HO - (1) 3' 21w or 39w lamps and (5) 4' 28w or 54w lamps - Gear Trays: (1) 3', (1) 4', (1) 8' & (1) 8' Telescoping



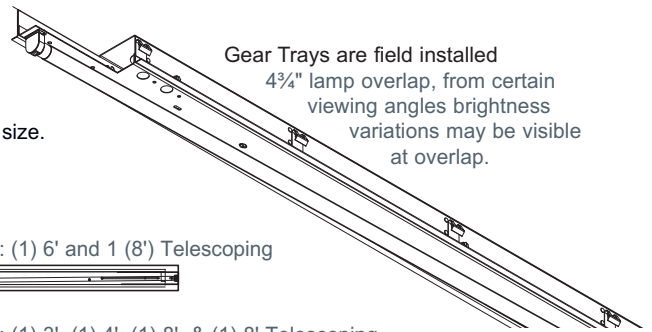
T8 - (3) 3' 25w lamp - Gear Tray: (1) 8' individual



T8 - (3) 3' 25w and (1) 32w lamps - Gear Trays (1) 3', (1) 4' and (1) 6', Telescoping



T8 - (2) 3' 25w lamps and (4) 32w lamps - Gear Trays (2) 8' and (1) 6' Telescoping



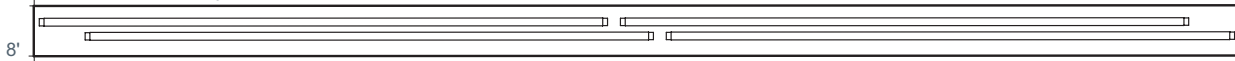
Standard System

Typical Row Examples

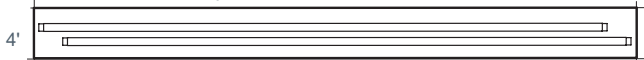
2T8 lamp rows



2T5 or 2T5HO lamp rows



2T5 or 2T5HO lamp rows



Factory supplied submittal drawing will be provided. Lamps are not supplied.

Prudential reserves the right to change design specifications or materials without notice.