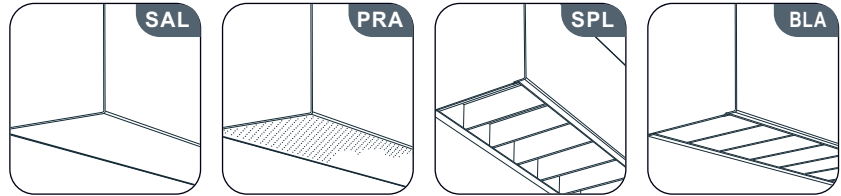
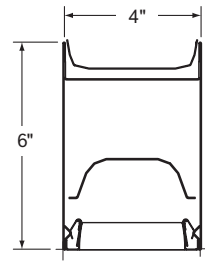
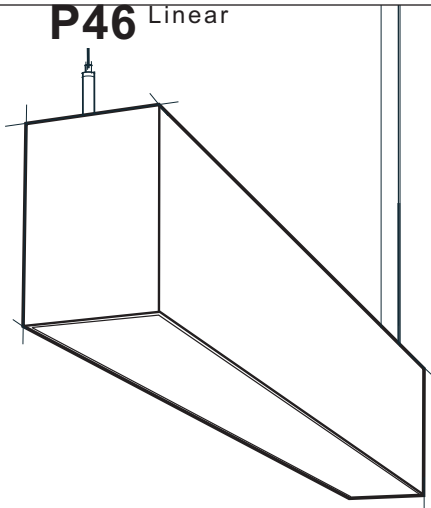


P46 Linear



ordering - Standard System for T8*

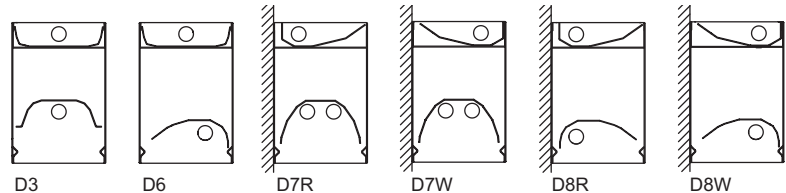
series/ lamp rows	nominal length	shielding*	color/finish	distribution	circuiting	voltage	mounting	ceiling system*	options
P46-									
(D3)	02'	SAL† satin acrylic	TMW textured matte white	D3 direct/indirect	SC single circuit	120	CA48" aircraft cable (adjustable)	X1 exposed T-bar	EML*
1T8//1T8**	03'	extruded lens	YGW gloss white	D6 asymmetric direct/indirect	DC* dual circuit	277		X3 hard ceiling	EMH*
2T8//1T8**	04'	OPL† opal frost acrylic lens	YPE pewter	D7R direct/asymmetric indirect to room	*direct & indirect circuits	347	CA96" aircraft cable (adjustable)	X6 slot grid	DM
1T8//2T8**	06'		Y__ premium color			UNV*			RSE
2T8//2T8**	08'		CC custom color	D7W direct/asymmetric indirect to wall		*120-277	CA144" aircraft cable (adjustable)	*specify with cable mount only	10THD
(D6)	R_*	PRA† clear prismatic acrylic extruded lens	GLV† galvanized (stem mount: pewter canopies, stems)	D8R asymmetric indirect to room/asymmetric indirect to room			WB wall bracket (2" stand-off)		B__
1T8//1T8**	*row length						WS wall spacer (1/2" stand-off)		FH
1T8//2T8**							WM* direct to wall		IBC
(D7R/D7W)		SPL silver parabolic louver							C2
1T8//1T8**									CX
2T8//1T8**		BLA blade louver-anodized							ADC
(D8R/D8W)									__DLH†
1T8//1T8**		BLW blade louver white		D8W asymmetric indirect to wall/asymmetric indirect to wall					*4' minimum length †consult factory. SPL, BLA, BLW only

†direct
**indirect

*See drawings for row examples and lamping configurations.

*for direct lighting component only
†not available with DLH

Distribution





Efficiency



RightLight™



Compliant

Linear **P46****ordering - Staggered System for T8***

series/ lamp rows	nominal length	shielding*	color/finish	distribution	circuiting	voltage	mounting	ceiling system*	options
P46-STG-									
(D3) 1T8//1T8** 1T8//2T8** (D7R/D7W) 1T8//1T8**	08' R_* *row length in 4' increments	SAL† satin acrylic extruded lens OPL† opal frost acrylic lens PRA† clear prismatic acrylic extruded lens SPL silver parabolic louver BLA blade louver-anodized BLW blade louver white	TMW textured matte white YGW gloss white YPE pewter Y__ premium color CC custom color GLV† galvanized (stem mount: pewter canopies, stems) *standard †longer lead times	D3 direct/indirect D7R direct/asymmetric indirect to room D7W direct/asymmetric indirect to wall	SC single circuit DC* dual circuit *direct & indirect circuits	120 277 347 UNV* *120-277	CA48" aircraft cable (adjustable) CA96" aircraft cable (adjustable) CA144" aircraft cable (adjustable) WB wall bracket (2" stand-off) WS wall spacer (1/2" stand-off) WM* direct to wall	X1 exposed T-bar X3 hard ceiling X6 slot grid *specify with cable mount only	EML* EMH* DM RSE 10THD B_ FH IBC C2 CX ADC __DLH† INTCW *4' minimum length †consult factory. SPL, BLA, BLW only

†direct
**indirect
*See drawings for row examples and lamping configurations.

*for direct lighting component only
†not available DLH

*is ADA compliant

Applications Corridors, open offices, retail, libraries.

Features A 4"x 6" direct/indirect linear lighting system with variety of lens and louver options. The system is available in two lamping systems: **Standard** and **One-lamp Staggered** rows. Standard lamping 2T5 or T5HO lamp rows have offset lamps within modular rows to mitigate socket shadows. T8 lamps in standard configuration are end to end in modular rows and are not offset. **One-lamp Staggered** configuration for T8, T5, and T5HO lamps have a 3" overlap to provide continuous lighting on the lens over the length of the row. Specify row lengths for the Staggered system in 4-foot increments. The staggered system is simple to install with "Snap-Lock" gear trays.

Construction The housing, ballast covers and endplates are made of die-formed 20-gauge steel. Parabolic louver material is semi-specular, low iridescent aluminum. Snap-in prismatic lens is clear extruded acrylic. Snap-in satin acrylic lens is clear frost extruded acrylic with a matte finish for soft, even light transmission.

Finish The standard housing is textured matte white (TMW) using polyester powder paint. Available in optional galvanized finish or refer to **Controls & Options** Section for paint colors. Canopies match finish when galvanized is specified; all others match body color unless otherwise specified.

Electrical T8 fixtures have instant-start electronic ballasts with less than 20% THD. Fixtures are U.L. Damp labeled and I.B.E.W. manufactured. Maximum ballast size available on non-staggered models: 2 3/8" width x 1 1/4" height. Maximum ballast size available on staggered models: 1 3/4" width x 1 1/4" height.

Mounting Fixture is to be suspended with aircraft cables, surface-mounted, wall-mounted directly, or with a 1/2" wall spacer or 2" wall bracket.

Options **EML:** emergency battery (600-700 lumens); **EMH:** emergency battery (1100-1400 lumens); **DM:** dimming ballast, specify manufacturer and catalog number; **RSE:** rapid-start electronic; **10THD:** ballast with < 10% total harmonic distortion; **B_:** specific ballast, specify manufacturer and catalog number; **FH:** fixture fusing (slow blow); **C2:** 90° 2-way corner; **CX:** special connector (consult factory); **ADC:** acrylic dust cover; **_DLH:** RightLight™ daylight harvesting system, specify number of sensors per row; **INTCW:** Integrates with Sense™ System wireless switches as whiteboard luminaire.



Compliant



RightLight™



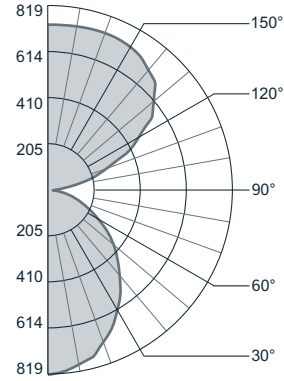
Efficiency

P46 Linear

photometric data

P46-1T8/1T8-04'-SAL-TMW-D3

Report # Lo5101212 D=44.4% I=55.6%
Lamp Lumens: 2950 Input Watts: 59.41



Candlepower Summary

Vertical Angle	Horizontal Angle				
	0°	22.5°	45°	67.5°	90°
0	819	819	819	819	819
5	811	812	811	811	814
15	768	769	767	767	769
25	690	690	688	684	683
35	588	587	581	573	570
45	473	472	462	454	451
55	356	355	347	340	336
65	240	238	234	229	226
75	128	128	128	126	124
85	40	43	46	47	47
90	19	22	24	25	25
95	43	61	55	51	49
105	147	233	218	205	200
115	267	368	405	396	391
125	384	455	537	565	570
135	492	540	615	664	678
145	583	613	665	709	725
155	656	673	701	731	742
165	707	714	725	736	741
175	733	734	734	737	739
180	735	735	735	735	735

Zonal Lumen Summary

Zone	% Lamp	% Luminaire
0-90	35.00	44.40
90-180	43.90	55.60

Efficiency = 78.90%

Luminance Summary (cd/m²)

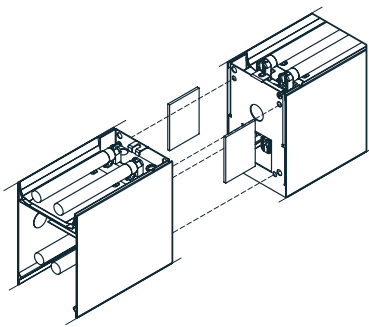
Angle	0°	45°	90°
45	5007	2509	2096
55	4434	1884	1527
65	3770	1310	1035
75	2838	764	591
85	1589	304	241

Coefficients of Utilization (%)

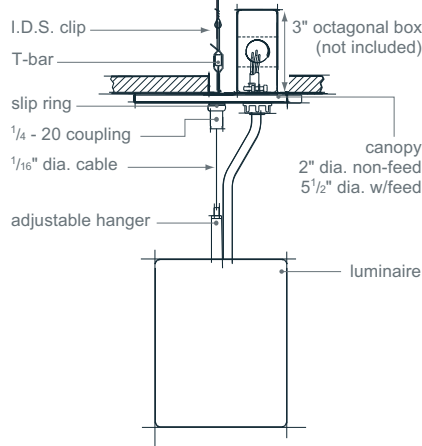
Floor	effective floor cavity reflectance = .20										
	80		70		50		30		10		
Ceiling	70	50	30	10	70	50	30	10	50	30	10
Wall	70	50	30	10	70	50	30	10	50	30	10
RCR	0	83	83	83	76	76	76	76	63	63	63
1	75	72	68	65	69	66	63	60	54	52	50
2	68	62	57	53	62	57	52	49	47	44	41
3	62	54	48	43	56	50	44	40	41	37	34
4	56	48	41	36	51	44	38	33	36	32	28
5	52	42	35	31	47	39	33	28	32	28	24
6	47	38	31	26	43	34	29	24	29	24	21
7	44	34	27	23	40	31	25	21	26	21	18
8	40	30	24	20	37	28	22	18	23	19	16
9	37	28	22	17	34	25	20	16	21	17	14
10	35	25	19	16	32	23	18	14	20	15	12

installation

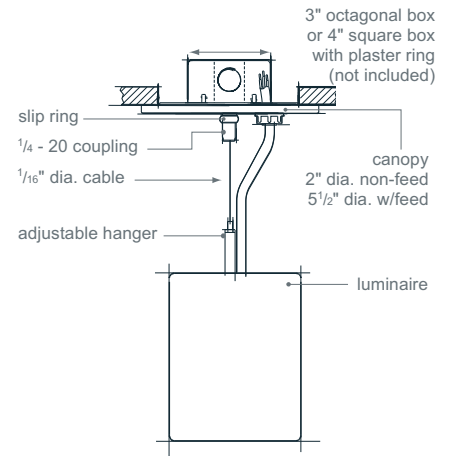
Adjoining Detail



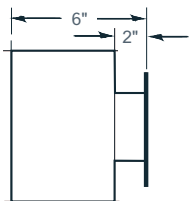
Suspension (x1)



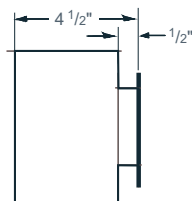
Suspension (x3)



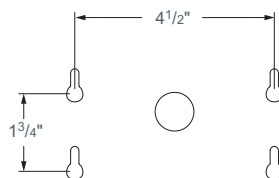
Wall Bracket



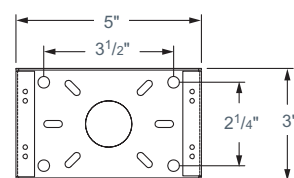
Wall Spacer



Wall Mount



Wall Spacer/Wall Bracket



1 lamp Staggered System (STG)

Typical Row Examples - Lamp quantities and wattages are dependant on row size.

T8 - (3) 3' 25w lamp - Gear Tray: (1) 8' individual



T8 - (3) 3' 25w and (1) 32w lamps - Gear Trays (1) 3', (1) 4' and (1) 6', Telescoping



T8 - (2) 3' 25w lamps and (4) 32w lamps - Gear Trays (2) 8' and (1) 6' Telescoping



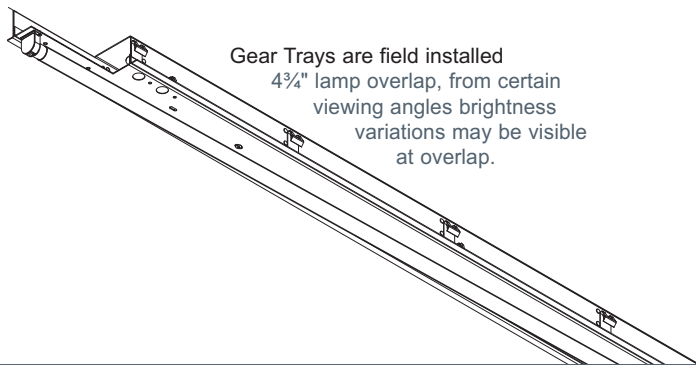
Standard System

Typical Row Examples

2T8 lamp rows

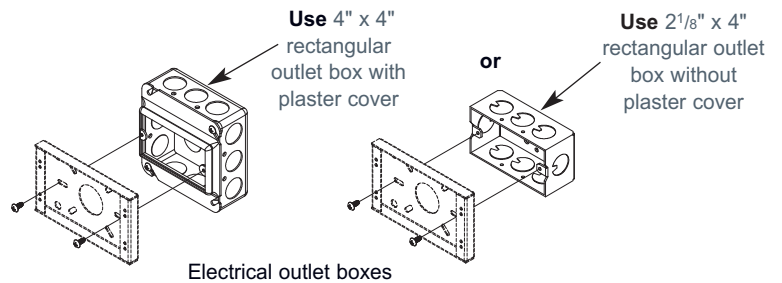
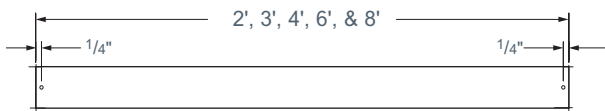


Factory supplied submittal drawing will be provided. Lamps are not supplied.



Mounting

Cable Mounting Locations



Wall Mounting Locations

