

Appendix F
**Hazardous Materials Business Plan and
Emergency Response Plan**

**UNIFIED PROGRAM CONSOLIDATED FORM
FACILITY INFORMATION
BUSINESS ACTIVITIES**

I. FACILITY IDENTIFICATION

FACILITY ID # (Agency Use Only)	F A 0 0 0 0 1 0 5	¹	EPA ID # (Hazardous Waste Only)	²
BUSINESS NAME (Same as Facility Name of DBA-Doing Business As)			E & J Gallo Winery	
BUSINESS SITE ADDRESS			18000 W River Rd	
BUSINESS SITE CITY	Livingston	¹⁰⁴	CA	ZIP CODE 95334 ¹⁰⁵

II. ACTIVITIES DECLARATION

**NOTE: If you check YES to any part of this list,
please submit the Business Owner/Operator Identification page.**

Does your facility...	If Yes, please complete these pages of the UPCF....
A. HAZARDOUS MATERIALS Have on site (for any purpose) at any one time, hazardous materials at or above 55 gallons for liquids, 500 pounds for solids, or 200 cubic feet for compressed gases (include liquids in ASTs and USTs); or the applicable Federal threshold quantity for an extremely hazardous substance specified in 40 CFR Part 355, Appendix A or B; or handle radiological materials in quantities for which an emergency plan is required pursuant to 10 CFR Parts 30, 40 or 70?	<input checked="" type="checkbox"/> YES HAZARDOUS MATERIALS INVENTORY – CHEMICAL DESCRIPTION
B. REGULATED SUBSTANCES Have Regulated Substances stored onsite in quantities greater than the threshold quantities established by the California Accidental Release prevention Program (CalARP)?	<input checked="" type="checkbox"/> YES Coordinate with your local agency responsible for CalARP.
C. UNDERGROUND STORAGE TANKS (USTs) Own or operate underground storage tanks?	<input type="checkbox"/> YES UST FACILITY (Formerly SWRCB Form A) UST TANK (one page per tank) (Formerly Form B)
D. ABOVE GROUND PETROLEUM STORAGE Own or operate ASTs above these thresholds: Store greater than 1,320 gallons of petroleum products (new or used) in aboveground tanks or containers.	<input checked="" type="checkbox"/> YES NO FORM REQUIRED TO CUPAs
E. HAZARDOUS WASTE Generate hazardous waste? Recycle more than 100 kg/month of excluded or exempted recyclable materials (per HSC 25143.2)? Treat hazardous waste on-site? Treatment subject to financial assurance requirements (for Permit by Rule and Conditional Authorization)? Consolidate hazardous waste generated at a remote site? Need to report the closure/removal of a tank that was classified as hazardous waste and cleaned on-site? Generate in any single calendar month 1,000 kilograms (kg) (2,200 pounds) or more of federal RCRA hazardous waste, or generate in any single calendar month, or accumulate at any time, 1 kg (2.2 pounds) of RCRA acute hazardous waste; or generate or accumulate at any time more than 100 kg (220 pounds) of spill cleanup materials contaminated with RCRA acute hazardous waste. Household Hazardous Waste (HHW) Collection site?	<input checked="" type="checkbox"/> YES <input type="checkbox"/> YES <input type="checkbox"/> YES <input type="checkbox"/> YES <input type="checkbox"/> YES <input type="checkbox"/> YES <input type="checkbox"/> YES <input type="checkbox"/> YES <input type="checkbox"/> YES EPA ID NUMBER – provide at the top of this page RECYCLABLE MATERIALS REPORT (one per recycler) ON-SITE HAZARDOUS WASTE TREATMENT – FACILITY ON-SITE HAZARDOUS WASTE TREATMENT – UNIT (one page per unit) CERTIFICATION OF FINANCIAL ASSURANCE REMOTE WASTE / CONSOLIDATION SITE ANNUAL NOTIFICATION HAZARDOUS WASTE TANK CLOSURE CERTIFICATION Obtain federal EPA ID Number, file Biennial Report (EPA Form 8700-13A/B), and satisfy requirements for RCRA Large Quantity Generator. See CUPA for required forms.

F. LOCAL REQUIREMENTS

(You may also be required to provide additional information by your CUPA or local agency.)

UNIFIED PROGRAM CONSOLIDATED FORM

FACILITY INFORMATION

BUSINESS OWNER/OPERATOR IDENTIFICATION

Page ___ of ___

I. IDENTIFICATION

FACILITY ID#		FA0000105	1	BEGINNING DATE	100	ENDING DATE	101				
				01/01/2009		12/31/2009					
BUSINESS NAME (Same as FACILITY NAME or DBA – Doing Business As)						3	BUSINESS PHONE	102			
E & J Gallo Winery							2093946211				
BUSINESS SITE ADDRESS						103	BUSINESS FAX	102a			
18000 W River Rd											
BUSINESS SITE CITY				104	CA	ZIP CODE	105	COUNTY	108		
Livingston						95334					
DUN & BRADSTREET						106	PRIMARY SIC	107	PRIMARY NAICS	107a	
009200056											
BUSINESS MAILING ADDRESS									108a		
18000 West River Rd											
BUSINESS MAILING CITY						108b	STATE	108c	ZIP CODE	108d	
Livingston							CA		95334		
BUSINESS OPERATOR NAME						109	BUSINESS OPERATOR PHONE				110
EJ Gallo Winery at Livingston							2093946257				

II. BUSINESS OWNER

OWNER NAME						111	OWNER PHONE				112	
E & J Gallo Winery							2093946257					
OWNER MAILING ADDRESS											113	
18000 River												
OWNER MAILING CITY						114	STATE	115	ZIP CODE			116
Livingston							CA		95334			

III. ENVIRONMENTAL CONTACT

CONTACT NAME						117	CONTACT PHONE				118	
Kim Burns							5594582457					
CONTACT MAILING ADDRESS						119	CONTACT EMAIL				119a	
P. O. Box 1081							kim.burns@ejgallo.com					
CONTACT MAILING CITY						120	STATE	121	ZIP CODE			122
Fresno							CA		93714			

-PRIMARY-

IV. EMERGENCY CONTACTS

-SECONDARY-

NAME						123	NAME				128
Lupe Munoz							John Chavez				
TITLE						124	TITLE				129
Plant Manager							EHS Manager				
BUSINESS PHONE						125	BUSINESS PHONE				130
2093946211							2093945872				
24-HOUR PHONE						126	24-HOUR PHONE				131
5592604810							2093863147				
CELL /PAGER #						127	CELL /PAGER #				132
EMAIL							EMAIL				

ADDITIONAL LOCALLY COLLECTED INFORMATION: 135

Certification: Based on my inquiry of those individuals responsible for obtaining the information, I certify under penalty of law that I have personally examined and am familiar with the information submitted and believe the information is true, accurate, and complete.

SIGNATURE OF OWNER/OPERATOR OR DESIGNATED REPRESENTATIVE				DATE	134	NAME OF DOCUMENT PREPARER				135	
						John Chavez					
NAME OF SIGNER (print)						136	TITLE OF SIGNER				137
Jose Garibay							EHS Manager				

**UNIFIED PROGRAM CONSOLIDATED FORM
HAZARDOUS MATERIALS
HAZARDOUS MATERIALS INVENTORY – CHEMICAL DESCRIPTION**

(one page per material per building or area)

 ADD

 DELETE

 REVISE

200

Page ___ of ___

I. FACILITY INFORMATION

BUSINESS NAME (Same as FACILITY NAME or DBA – Doing Business As)

3

E & J Gallo Winery

CHEMICAL LOCATION

201

CHEMICAL LOCATION CONFIDENTIAL EPCRA

202

barreled chemical storage area

 YES

FACILITY ID #

F

A

0

0

0

0

1

0

5

MAP# (optional)

203

GRID# (optional)

204

7

II. CHEMICAL INFORMATION

CHEMICAL NAME

205

TRADE SECRET

 Yes

206

sodium percarbonate, trisodium phosphate

If Subject to EPCRA, refer to instructions

COMMON NAME

207

EHS*

 Yes

208

Sterox-K

CAS#

209

*If EHS is "Yes", all amounts below must be in lbs.

FIRE CODE HAZARD CLASSES (Complete if required by CUPA)

210

HAZARDOUS MATERIAL TYPE (Check one item only)

 a. PURE

 b. MIXTURE

 c. WASTE

211

RADIOACTIVE

 Yes

212

CURIES

213

PHYSICAL STATE (Check one item only)

 a. SOLID

 b. LIQUID

 c. GAS

214

LARGEST CONTAINER

50.0

215

FED HAZARD CATEGORIES (Check all that apply)

 a. FIRE

 b. REACTIVE

 c. PRESSURE RELEASE

 d. ACUTE HEALTH

 e. CHRONIC HEALTH

216

AVERAGE DAILY AMOUNT

217

MAXIMUM DAILY AMOUNT

218

ANNUAL WASTE AMOUNT

219

STATE WASTE CODE

220

4000.0

6000.0

UNITS*

 a. GALLONS

 b. CUBIC FEET

 c. POUNDS

 d. TONS

221

DAYS ON SITE:

365.0

222

STORAGE CONTAINER

 a. ABOVE GROUND TANK

 e. PLASTIC/NONMETALLIC DRUM

 i. FIBER DRUM

 m. GLASS BOTTLE

 q. RAIL CAR

 b. UNDERGROUND TANK

 f. CAN

 j. BAG

 n. PLASTIC BOTTLE

 r. OTHER

 c. TANK INSIDE BUILDING

 g. CARBOY

 k. BOX

 o. TOTE BIN

 d. STEEL DRUM

 h. SILO

 l. CYLINDER

 p. TANK WAGON

223

STORAGE PRESSURE

 a. AMBIENT

 b. ABOVE AMBIENT

 c. BELOW AMBIENT

224

STORAGE TEMPERATURE

 a. AMBIENT

 b. ABOVE AMBIENT

 c. BELOW AMBIENT

 d. CRYOGENIC

225

%WT

HAZARDOUS COMPONENT (For mixture or waste only)

EHS

CAS #

1

226

227

 Yes

228

229

2

230

231

 Yes

232

233

3

234

235

 Yes

236

237

4

238

239

 Yes

240

241

5

242

243

 Yes

244

245

If more hazardous components are present at greater than 1% by weight if non-carcinogenic, or 0.1% by weight if carcinogenic, attach additional sheets of paper capturing the required information.

ADDITIONAL LOCALLY COLLECTED INFORMATION

246

If EPCRA, Please Sign Here

UNIFIED PROGRAM CONSOLIDATED FORM
HAZARDOUS MATERIALS
HAZARDOUS MATERIALS INVENTORY – CHEMICAL DESCRIPTION

(one page per material per building or area)

ADD DELETE REVISE 200 Page ___ of ___

I. FACILITY INFORMATION

BUSINESS NAME (Same as FACILITY NAME or DBA – Doing Business As) 3
E & J Gallo Winery

CHEMICAL LOCATION 201 CHEMICAL LOCATION CONFIDENTIAL EPCRA 202
chemical storage area YES

FACILITY ID # F A 0 0 0 0 1 0 5 1 MAP# (optional) 203 GRID# (optional) 204

II. CHEMICAL INFORMATION

CHEMICAL NAME 205 TRADE SECRET Yes 206
Nitric Acid/Phosphoric Acid If Subject to EPCRA, refer to instructions

COMMON NAME 207 EHS* Yes 208
Non-Stick

CAS# 209 *If EHS is "Yes", all amounts below must be in lbs.

FIRE CODE HAZARD CLASSES (Complete if required by CUPA) 210

HAZARDOUS MATERIAL TYPE (Check one item only) a. PURE b. MIXTURE c. WASTE 211 RADIOACTIVE Yes 212 CURIES 213

PHYSICAL STATE (Check one item only) a. SOLID b. LIQUID c. GAS 214 LARGEST CONTAINER 215
55.0

FED HAZARD CATEGORIES (Check all that apply) 216
 a. FIRE b. REACTIVE c. PRESSURE RELEASE d. ACUTE HEALTH e. CHRONIC HEALTH

AVERAGE DAILY AMOUNT 217 MAXIMUM DAILY AMOUNT 218 ANNUAL WASTE AMOUNT 219 STATE WASTE CODE 220
660.0 **660.0**

UNITS* (Check one item only) a. GALLONS b. CUBIC FEET c. POUNDS d. TONS 221 DAYS ON SITE: 222
* If EHS, amount must be in pounds.

STORAGE CONTAINER a. ABOVE GROUND TANK e. PLASTIC/NONMETALLIC DRUM i. FIBER DRUM m. GLASS BOTTLE q. RAIL CAR
 b. UNDERGROUND TANK f. CAN j. BAG n. PLASTIC BOTTLE r. OTHER
 c. TANK INSIDE BUILDING g. CARBOY k. BOX o. TOTE BIN
 d. STEEL DRUM h. SILO l. CYLINDER p. TANK WAGON 223

STORAGE PRESSURE a. AMBIENT b. ABOVE AMBIENT c. BELOW AMBIENT 224

STORAGE TEMPERATURE a. AMBIENT b. ABOVE AMBIENT c. BELOW AMBIENT d. CRYOGENIC 225

#	%WT	HAZARDOUS COMPONENT (For mixture or waste only)	EHS	CAS #
1	30.0 226	nitric acid 227	<input type="checkbox"/> Yes 228	7697-37-2 229
2	30.0 230	phosphoric acid 231	<input type="checkbox"/> Yes 232	7664-38-2 233
3	234	235	<input type="checkbox"/> Yes 236	237
4	238	239	<input type="checkbox"/> Yes 240	241
5	242	243	<input type="checkbox"/> Yes 244	245

If more hazardous components are present at greater than 1% by weight if non-carcinogenic, or 0.1% by weight if carcinogenic, attach additional sheets of paper capturing the required information.

ADDITIONAL LOCALLY COLLECTED INFORMATION 246

If EPCRA, Please Sign Here

**UNIFIED PROGRAM CONSOLIDATED FORM
HAZARDOUS MATERIALS
HAZARDOUS MATERIALS INVENTORY – CHEMICAL DESCRIPTION**

(one page per material per building or area)

ADD

DELETE

REVISE

200

Page ___ of ___

I. FACILITY INFORMATION

BUSINESS NAME (Same as FACILITY NAME or DBA – Doing Business As) 3

E & J Gallo Winery

CHEMICAL LOCATION 201

paint storage area

CHEMICAL LOCATION CONFIDENTIAL EPCRA 202

YES

FACILITY ID #

F

A

0

0

0

0

1

0

5

MAP# (optional) 203

GRID# (optional) 204

II. CHEMICAL INFORMATION

CHEMICAL NAME 205

paint mixture

TRADE SECRET Yes 206

If Subject to EPCRA, refer to instructions

COMMON NAME 207

Waste Paint (Sludge)

EHS* Yes 208

CAS# 209

*If EHS is "Yes", all amounts below must be in lbs.

FIRE CODE HAZARD CLASSES (Complete if required by CUPA) 210

HAZARDOUS MATERIAL TYPE (Check one item only) 211

a. PURE b. MIXTURE c. WASTE

RADIOACTIVE Yes 212

CURIES 213

PHYSICAL STATE (Check one item only) 214

a. SOLID b. LIQUID c. GAS

LARGEST CONTAINER 215

55.0

FED HAZARD CATEGORIES (Check all that apply) 216

a. FIRE b. REACTIVE c. PRESSURE RELEASE d. ACUTE HEALTH e. CHRONIC HEALTH

AVERAGE DAILY AMOUNT 217

330.0

MAXIMUM DAILY AMOUNT 218

660.0

ANNUAL WASTE AMOUNT 219

STATE WASTE CODE 220

UNITS* 221

(Check one item only)

a. GALLONS b. CUBIC FEET c. POUNDS d. TONS
* If EHS, amount must be in pounds.

DAYS ON SITE: 222

365.0

STORAGE CONTAINER

a. ABOVE GROUND TANK e. PLASTIC/NONMETALLIC DRUM i. FIBER DRUM m. GLASS BOTTLE q. RAIL CAR
 b. UNDERGROUND TANK f. CAN j. BAG n. PLASTIC BOTTLE r. OTHER
 c. TANK INSIDE BUILDING g. CARBOY k. BOX o. TOTE BIN
 d. STEEL DRUM h. SILO l. CYLINDER p. TANK WAGON

STORAGE PRESSURE 224

a. AMBIENT b. ABOVE AMBIENT c. BELOW AMBIENT

STORAGE TEMPERATURE 225

a. AMBIENT b. ABOVE AMBIENT c. BELOW AMBIENT d. CRYOGENIC

%WT

HAZARDOUS COMPONENT (For mixture or waste only)

EHS

CAS #

1

226

227

Yes

228

229

2

230

231

Yes

232

233

3

234

235

Yes

236

237

4

238

239

Yes

240

241

5

242

243

Yes

244

245

If more hazardous components are present at greater than 1% by weight if non-carcinogenic, or 0.1% by weight if carcinogenic, attach additional sheets of paper capturing the required information.

ADDITIONAL LOCALLY COLLECTED INFORMATION 246

If EPCRA, Please Sign Here

**UNIFIED PROGRAM CONSOLIDATED FORM
HAZARDOUS MATERIALS
HAZARDOUS MATERIALS INVENTORY – CHEMICAL DESCRIPTION**

(one page per material per building or area)

ADD

DELETE

REVISE

200

Page ___ of ___

I. FACILITY INFORMATION

BUSINESS NAME (Same as FACILITY NAME or DBA – Doing Business As) 3

E & J Gallo Winery

CHEMICAL LOCATION 201

lubricant storage area

CHEMICAL LOCATION CONFIDENTIAL EPCRA 202

YES

FACILITY ID #

F A 0 0 0 0 1 0 5

MAP# (optional) 203

4

GRID# (optional) 204

II. CHEMICAL INFORMATION

CHEMICAL NAME 205

Used Oil filters

TRADE SECRET 206

Yes

If Subject to EPCRA, refer to instructions

COMMON NAME 207

Waste Oil Filters

EHS* 208

Yes

CAS# 209

*If EHS is "Yes", all amounts below must be in lbs.

FIRE CODE HAZARD CLASSES (Complete if required by CUPA) 210

HAZARDOUS MATERIAL TYPE (Check one item only) 211

a. PURE b. MIXTURE c. WASTE

RADIOACTIVE Yes 212

CURIES 213

PHYSICAL STATE (Check one item only) 214

a. SOLID b. LIQUID c. GAS

LARGEST CONTAINER 215

55.0

FED HAZARD CATEGORIES (Check all that apply) 216

a. FIRE b. REACTIVE c. PRESSURE RELEASE d. ACUTE HEALTH e. CHRONIC HEALTH

AVERAGE DAILY AMOUNT 217

55.0

MAXIMUM DAILY AMOUNT 218

165.0

ANNUAL WASTE AMOUNT 219

STATE WASTE CODE 220

UNITS* 221

(Check one item only)

a. GALLONS b. CUBIC FEET c. POUNDS d. TONS

* If EHS, amount must be in pounds.

DAYS ON SITE: 222

365.0

STORAGE CONTAINER 223

a. ABOVE GROUND TANK e. PLASTIC/NONMETALLIC DRUM i. FIBER DRUM m. GLASS BOTTLE q. RAIL CAR
 b. UNDERGROUND TANK f. CAN j. BAG n. PLASTIC BOTTLE r. OTHER
 c. TANK INSIDE BUILDING g. CARBOY k. BOX o. TOTE BIN
 d. STEEL DRUM h. SILO l. CYLINDER p. TANK WAGON

STORAGE PRESSURE 224

a. AMBIENT b. ABOVE AMBIENT c. BELOW AMBIENT

STORAGE TEMPERATURE 225

a. AMBIENT b. ABOVE AMBIENT c. BELOW AMBIENT d. CRYOGENIC

%WT

HAZARDOUS COMPONENT (For mixture or waste only)

EHS

CAS #

1

226

waste oil residue

227

Yes

228

229

2

230

metal

231

Yes

232

233

3

234

235

Yes

236

237

4

238

239

Yes

240

241

5

242

243

Yes

244

245

If more hazardous components are present at greater than 1% by weight if non-carcinogenic, or 0.1% by weight if carcinogenic, attach additional sheets of paper capturing the required information.

ADDITIONAL LOCALLY COLLECTED INFORMATION 246

If EPCRA, Please Sign Here

**UNIFIED PROGRAM CONSOLIDATED FORM
HAZARDOUS MATERIALS
HAZARDOUS MATERIALS INVENTORY – CHEMICAL DESCRIPTION**

(one page per material per building or area)

ADD

DELETE

REVISE

200

Page ___ of ___

I. FACILITY INFORMATION

BUSINESS NAME (Same as FACILITY NAME or DBA – Doing Business As) 3

E & J Gallo Winery

CHEMICAL LOCATION 201

storage vessels

CHEMICAL LOCATION CONFIDENTIAL EPCRA 202

YES

FACILITY ID #

F

A

0

0

0

0

1

0

5

MAP# (optional) 203

3,4,5,6,7

GRID# (optional) 204

N/A

II. CHEMICAL INFORMATION

CHEMICAL NAME 205

Anhydrous Ammonia

TRADE SECRET 206

Yes

If Subject to EPCRA, refer to instructions

COMMON NAME 207

Anhydrous Ammonia

EHS* 208

Yes

CAS# 209

7664-41-7

*If EHS is "Yes", all amounts below must be in lbs.

FIRE CODE HAZARD CLASSES (Complete if required by CUPA) 210

HAZARDOUS MATERIAL TYPE (Check one item only) 211

a. PURE b. MIXTURE c. WASTE

RADIOACTIVE Yes 212

CURIES 213

PHYSICAL STATE (Check one item only) 214

a. SOLID b. LIQUID c. GAS

LARGEST CONTAINER 215

51500.0

FED HAZARD CATEGORIES (Check all that apply) 216

a. FIRE b. REACTIVE c. PRESSURE RELEASE d. ACUTE HEALTH e. CHRONIC HEALTH

AVERAGE DAILY AMOUNT 217

231750.0

MAXIMUM DAILY AMOUNT 218

291016.0

ANNUAL WASTE AMOUNT 219

STATE WASTE CODE 220

UNITS* 221

(Check one item only)

a. GALLONS b. CUBIC FEET c. POUNDS d. TONS

* If EHS, amount must be in pounds.

DAYS ON SITE: 222

365.0

STORAGE CONTAINER 223

a. ABOVE GROUND TANK e. PLASTIC/NONMETALLIC DRUM i. FIBER DRUM m. GLASS BOTTLE q. RAIL CAR
 b. UNDERGROUND TANK f. CAN j. BAG n. PLASTIC BOTTLE r. OTHER
 c. TANK INSIDE BUILDING g. CARBOY k. BOX o. TOTE BIN
 d. STEEL DRUM h. SILO l. CYLINDER p. TANK WAGON

STORAGE PRESSURE 224

a. AMBIENT b. ABOVE AMBIENT c. BELOW AMBIENT

STORAGE TEMPERATURE 225

a. AMBIENT b. ABOVE AMBIENT c. BELOW AMBIENT d. CRYOGENIC

%WT

HAZARDOUS COMPONENT (For mixture or waste only)

EHS

CAS #

1 99.900001% 226

anhydrous ammonia 227

Yes 228

7664-41-7 229

2 230

Yes 232

233

3 234

Yes 236

237

4 238

Yes 240

241

5 242

Yes 244

245

If more hazardous components are present at greater than 1% by weight if non-carcinogenic, or 0.1% by weight if carcinogenic, attach additional sheets of paper capturing the required information.

ADDITIONAL LOCALLY COLLECTED INFORMATION 246

If EPCRA, Please Sign Here

**UNIFIED PROGRAM CONSOLIDATED FORM
HAZARDOUS MATERIALS
HAZARDOUS MATERIALS INVENTORY – CHEMICAL DESCRIPTION**

(one page per material per building or area)

ADD

DELETE

REVISE

200

Page ___ of ___

I. FACILITY INFORMATION

BUSINESS NAME (Same as FACILITY NAME or DBA – Doing Business As) 3

E & J Gallo Winery

CHEMICAL LOCATION 201

Extractor, East side Receiving, West Side Receiving, tank 3429, Stack and Pack, N/E

CHEMICAL LOCATION CONFIDENTIAL EPCRA 202

YES

FACILITY ID #

F A 0 0 0 0 1 0 5

MAP# (optional) 203
2,4,6,8,9

GRID# (optional) 204

II. CHEMICAL INFORMATION

CHEMICAL NAME 205

Sulfur Dioxide

TRADE SECRET 206

Yes

If Subject to EPCRA, refer to instructions

COMMON NAME 207

Sulfur Dioxide

EHS* 208

Yes

CAS# 209

7446-09-5

*If EHS is "Yes", all amounts below must be in lbs.

FIRE CODE HAZARD CLASSES (Complete if required by CUPA) 210

HAZARDOUS MATERIAL TYPE (Check one item only) 211

a. PURE b. MIXTURE c. WASTE

RADIOACTIVE Yes 212

CURIES 213

PHYSICAL STATE (Check one item only) 214

a. SOLID b. LIQUID c. GAS

LARGEST CONTAINER 215
55970.0

FED HAZARD CATEGORIES (Check all that apply) 216

a. FIRE b. REACTIVE c. PRESSURE RELEASE d. ACUTE HEALTH e. CHRONIC HEALTH

AVERAGE DAILY AMOUNT 217

35000.0

MAXIMUM DAILY AMOUNT 218

55970.0

ANNUAL WASTE AMOUNT 219

STATE WASTE CODE 220

UNITS* 221

(Check one item only)

a. GALLONS b. CUBIC FEET c. POUNDS d. TONS
* If EHS, amount must be in pounds.

DAYS ON SITE: 222

365.0

STORAGE CONTAINER 223

a. ABOVE GROUND TANK e. PLASTIC/NONMETALLIC DRUM i. FIBER DRUM m. GLASS BOTTLE q. RAIL CAR
 b. UNDERGROUND TANK f. CAN j. BAG n. PLASTIC BOTTLE r. OTHER
 c. TANK INSIDE BUILDING g. CARBOY k. BOX o. TOTE BIN
 d. STEEL DRUM h. SILO l. CYLINDER p. TANK WAGON

STORAGE PRESSURE 224

a. AMBIENT b. ABOVE AMBIENT c. BELOW AMBIENT

STORAGE TEMPERATURE 225

a. AMBIENT b. ABOVE AMBIENT c. BELOW AMBIENT d. CRYOGENIC

%WT

HAZARDOUS COMPONENT (For mixture or waste only)

EHS

CAS #

1 100.0 226

sulfur dioxide 227

Yes 228

7446-09-5 229

2 230

Yes 232

233

3 234

Yes 236

237

4 238

Yes 240

241

5 242

Yes 244

245

If more hazardous components are present at greater than 1% by weight if non-carcinogenic, or 0.1% by weight if carcinogenic, attach additional sheets of paper capturing the required information.

ADDITIONAL LOCALLY COLLECTED INFORMATION 246

If EPCRA, Please Sign Here

**UNIFIED PROGRAM CONSOLIDATED FORM
HAZARDOUS MATERIALS
HAZARDOUS MATERIALS INVENTORY – CHEMICAL DESCRIPTION**

(one page per material per building or area)

ADD

DELETE

REVISE

200

Page ___ of ___

I. FACILITY INFORMATION

BUSINESS NAME (Same as FACILITY NAME or DBA – Doing Business As) 3

E & J Gallo Winery

CHEMICAL LOCATION 201

storage tank E of Process Building

CHEMICAL LOCATION CONFIDENTIAL EPCRA 202

YES

FACILITY ID #

F

A

0

0

0

0

1

0

5

1

MAP# (optional) 203

6

GRID# (optional) 204

II. CHEMICAL INFORMATION

CHEMICAL NAME 205

Sulfuric Acid

TRADE SECRET 206

Yes

If Subject to EPCRA, refer to instructions

COMMON NAME 207

Sulfuric Acid

EHS* 208

Yes

CAS# 209

7664-93-9

*If EHS is "Yes", all amounts below must be in lbs.

FIRE CODE HAZARD CLASSES (Complete if required by CUPA) 210

HAZARDOUS MATERIAL TYPE (Check one item only) 211

a. PURE b. MIXTURE c. WASTE

RADIOACTIVE Yes 212

CURIES 213

PHYSICAL STATE (Check one item only) 214

a. SOLID b. LIQUID c. GAS

LARGEST CONTAINER 215

6500.0

FED HAZARD CATEGORIES (Check all that apply) 216

a. FIRE b. REACTIVE c. PRESSURE RELEASE d. ACUTE HEALTH e. CHRONIC HEALTH

AVERAGE DAILY AMOUNT 217

3000.0

MAXIMUM DAILY AMOUNT 218

6500.0

ANNUAL WASTE AMOUNT 219

STATE WASTE CODE 220

UNITS* 221

(Check one item only)

a. GALLONS b. CUBIC FEET c. POUNDS d. TONS
* If EHS, amount must be in pounds.

DAYS ON SITE: 222

365.0

STORAGE CONTAINER 223

a. ABOVE GROUND TANK e. PLASTIC/NONMETALLIC DRUM i. FIBER DRUM m. GLASS BOTTLE q. RAIL CAR
 b. UNDERGROUND TANK f. CAN j. BAG n. PLASTIC BOTTLE r. OTHER
 c. TANK INSIDE BUILDING g. CARBOY k. BOX o. TOTE BIN
 d. STEEL DRUM h. SILO l. CYLINDER p. TANK WAGON

STORAGE PRESSURE 224

a. AMBIENT b. ABOVE AMBIENT c. BELOW AMBIENT

STORAGE TEMPERATURE 225

a. AMBIENT b. ABOVE AMBIENT c. BELOW AMBIENT d. CRYOGENIC

%WT

HAZARDOUS COMPONENT (For mixture or waste only)

EHS

CAS #

1

226

227

Yes 228

229

2

230

231

Yes 232

233

3

234

235

Yes 236

237

4

238

239

Yes 240

241

5

242

243

Yes 244

245

If more hazardous components are present at greater than 1% by weight if non-carcinogenic, or 0.1% by weight if carcinogenic, attach additional sheets of paper capturing the required information.

ADDITIONAL LOCALLY COLLECTED INFORMATION 246

If EPCRA, Please Sign Here

**UNIFIED PROGRAM CONSOLIDATED FORM
HAZARDOUS MATERIALS
HAZARDOUS MATERIALS INVENTORY – CHEMICAL DESCRIPTION**

(one page per material per building or area)

ADD

DELETE

REVISE

200

Page ___ of ___

I. FACILITY INFORMATION

BUSINESS NAME (Same as FACILITY NAME or DBA – Doing Business As) 3

E & J Gallo Winery

CHEMICAL LOCATION 201

convault storage tank by gate #12

CHEMICAL LOCATION CONFIDENTIAL EPCRA 202

YES

FACILITY ID #

F

A

0

0

0

0

1

0

5

MAP# (optional) 203

4

GRID# (optional) 204

II. CHEMICAL INFORMATION

CHEMICAL NAME 205

Diesel Fuel

TRADE SECRET Yes 206

If Subject to EPCRA, refer to instructions

COMMON NAME 207

Diesel Fuel #2

EHS* Yes 208

CAS# 209

64741-44-2

*If EHS is "Yes", all amounts below must be in lbs.

FIRE CODE HAZARD CLASSES (Complete if required by CUPA) 210

HAZARDOUS MATERIAL TYPE (Check one item only) 211

a. PURE b. MIXTURE c. WASTE

RADIOACTIVE Yes 212

CURIES 213

PHYSICAL STATE (Check one item only) 214

a. SOLID b. LIQUID c. GAS

LARGEST CONTAINER 215

500.0

FED HAZARD CATEGORIES (Check all that apply) 216

a. FIRE b. REACTIVE c. PRESSURE RELEASE d. ACUTE HEALTH e. CHRONIC HEALTH

AVERAGE DAILY AMOUNT 217

300.0

MAXIMUM DAILY AMOUNT 218

500.0

ANNUAL WASTE AMOUNT 219

STATE WASTE CODE 220

UNITS* 221

(Check one item only)

a. GALLONS b. CUBIC FEET c. POUNDS d. TONS
* If EHS, amount must be in pounds.

DAYS ON SITE: 222

365.0

STORAGE CONTAINER

a. ABOVE GROUND TANK e. PLASTIC/NONMETALLIC DRUM i. FIBER DRUM m. GLASS BOTTLE q. RAIL CAR
 b. UNDERGROUND TANK f. CAN j. BAG n. PLASTIC BOTTLE r. OTHER
 c. TANK INSIDE BUILDING g. CARBOY k. BOX o. TOTE BIN
 d. STEEL DRUM h. SILO l. CYLINDER p. TANK WAGON

STORAGE PRESSURE 224

a. AMBIENT b. ABOVE AMBIENT c. BELOW AMBIENT

STORAGE TEMPERATURE 225

a. AMBIENT b. ABOVE AMBIENT c. BELOW AMBIENT d. CRYOGENIC

%WT

HAZARDOUS COMPONENT (For mixture or waste only)

EHS

CAS #

1

226

227

Yes

228

229

2

230

231

Yes

232

233

3

234

235

Yes

236

237

4

238

239

Yes

240

241

5

242

243

Yes

244

245

If more hazardous components are present at greater than 1% by weight if non-carcinogenic, or 0.1% by weight if carcinogenic, attach additional sheets of paper capturing the required information.

ADDITIONAL LOCALLY COLLECTED INFORMATION 246

If EPCRA, Please Sign Here

**UNIFIED PROGRAM CONSOLIDATED FORM
HAZARDOUS MATERIALS
HAZARDOUS MATERIALS INVENTORY – CHEMICAL DESCRIPTION**

(one page per material per building or area)

ADD

DELETE

REVISE

200

Page ___ of ___

I. FACILITY INFORMATION

BUSINESS NAME (Same as FACILITY NAME or DBA – Doing Business As) 3

E & J Gallo Winery

CHEMICAL LOCATION 201

FCA Area

CHEMICAL LOCATION CONFIDENTIAL EPCRA 202

YES

FACILITY ID #

F

A

0

0

0

0

1

0

5

MAP# (optional) 203

GRID# (optional) 204

II. CHEMICAL INFORMATION

CHEMICAL NAME 205

TRADE SECRET Yes 206

If Subject to EPCRA, refer to instructions

COMMON NAME 207

Acetone - deleted 1/29/98

EHS* Yes 208

CAS# 209

*If EHS is "Yes", all amounts below must be in lbs.

FIRE CODE HAZARD CLASSES (Complete if required by CUPA) 210

HAZARDOUS MATERIAL TYPE (Check one item only) 211

a. PURE b. MIXTURE c. WASTE

RADIOACTIVE Yes 212

CURIES 213

PHYSICAL STATE (Check one item only) 214

a. SOLID b. LIQUID c. GAS

LARGEST CONTAINER 215

FED HAZARD CATEGORIES (Check all that apply) 216

a. FIRE b. REACTIVE c. PRESSURE RELEASE d. ACUTE HEALTH e. CHRONIC HEALTH

AVERAGE DAILY AMOUNT 217

0.0

MAXIMUM DAILY AMOUNT 218

0.0

ANNUAL WASTE AMOUNT 219

STATE WASTE CODE 220

UNITS* 221

(Check one item only)

a. GALLONS b. CUBIC FEET c. POUNDS d. TONS
* If EHS, amount must be in pounds.

DAYS ON SITE: 222

365.0

STORAGE CONTAINER

a. ABOVE GROUND TANK e. PLASTIC/NONMETALLIC DRUM i. FIBER DRUM m. GLASS BOTTLE q. RAIL CAR
 b. UNDERGROUND TANK f. CAN j. BAG n. PLASTIC BOTTLE r. OTHER
 c. TANK INSIDE BUILDING g. CARBOY k. BOX o. TOTE BIN
 d. STEEL DRUM h. SILO l. CYLINDER p. TANK WAGON

STORAGE PRESSURE 224

a. AMBIENT b. ABOVE AMBIENT c. BELOW AMBIENT

STORAGE TEMPERATURE 225

a. AMBIENT b. ABOVE AMBIENT c. BELOW AMBIENT d. CRYOGENIC

%WT

HAZARDOUS COMPONENT (For mixture or waste only)

EHS

CAS #

1

226

227

Yes 228

229

2

230

231

Yes 232

233

3

234

235

Yes 236

237

4

238

239

Yes 240

241

5

242

243

Yes 244

245

If more hazardous components are present at greater than 1% by weight if non-carcinogenic, or 0.1% by weight if carcinogenic, attach additional sheets of paper capturing the required information.

ADDITIONAL LOCALLY COLLECTED INFORMATION 246

If EPCRA, Please Sign Here

**UNIFIED PROGRAM CONSOLIDATED FORM
HAZARDOUS MATERIALS
HAZARDOUS MATERIALS INVENTORY – CHEMICAL DESCRIPTION**

(one page per material per building or area)

ADD

DELETE

REVISE

200

Page ___ of ___

I. FACILITY INFORMATION

BUSINESS NAME (Same as FACILITY NAME or DBA – Doing Business As) 3

E & J Gallo Winery

CHEMICAL LOCATION 201

Gas cylinder storage area

CHEMICAL LOCATION CONFIDENTIAL EPCRA 202

YES

FACILITY ID #

F

A

0

0

0

0

1

0

5

MAP# (optional) 203

GRID# (optional) 204

II. CHEMICAL INFORMATION

CHEMICAL NAME 205

Acetylene

TRADE SECRET Yes 206

If Subject to EPCRA, refer to instructions

COMMON NAME 207

Acetylene

EHS* Yes 208

CAS# 209

74-86-2

*If EHS is "Yes", all amounts below must be in lbs.

FIRE CODE HAZARD CLASSES (Complete if required by CUPA) 210

HAZARDOUS MATERIAL TYPE (Check one item only) 211

a. PURE b. MIXTURE c. WASTE

RADIOACTIVE Yes 212

CURIES 213

PHYSICAL STATE (Check one item only) 214

a. SOLID b. LIQUID c. GAS

LARGEST CONTAINER 215

210.0

FED HAZARD CATEGORIES (Check all that apply) 216

a. FIRE b. REACTIVE c. PRESSURE RELEASE d. ACUTE HEALTH e. CHRONIC HEALTH

AVERAGE DAILY AMOUNT 217

1206.0

MAXIMUM DAILY AMOUNT 218

2010.0

ANNUAL WASTE AMOUNT 219

STATE WASTE CODE 220

UNITS* 221

(Check one item only)

a. GALLONS b. CUBIC FEET c. POUNDS d. TONS
* If EHS, amount must be in pounds.

DAYS ON SITE: 222

365.0

STORAGE CONTAINER

a. ABOVE GROUND TANK e. PLASTIC/NONMETALLIC DRUM i. FIBER DRUM m. GLASS BOTTLE q. RAIL CAR
 b. UNDERGROUND TANK f. CAN j. BAG n. PLASTIC BOTTLE r. OTHER
 c. TANK INSIDE BUILDING g. CARBOY k. BOX o. TOTE BIN
 d. STEEL DRUM h. SILO l. CYLINDER p. TANK WAGON

STORAGE PRESSURE 224

a. AMBIENT b. ABOVE AMBIENT c. BELOW AMBIENT

STORAGE TEMPERATURE 225

a. AMBIENT b. ABOVE AMBIENT c. BELOW AMBIENT d. CRYOGENIC

%WT

HAZARDOUS COMPONENT (For mixture or waste only)

EHS

CAS #

1 100.0 226

acetylene 227

Yes 228

74-86-2 229

2 230

Yes 232

233

3 234

Yes 236

237

4 238

Yes 240

241

5 242

Yes 244

245

If more hazardous components are present at greater than 1% by weight if non-carcinogenic, or 0.1% by weight if carcinogenic, attach additional sheets of paper capturing the required information.

ADDITIONAL LOCALLY COLLECTED INFORMATION 246

If EPCRA, Please Sign Here

**UNIFIED PROGRAM CONSOLIDATED FORM
HAZARDOUS MATERIALS
HAZARDOUS MATERIALS INVENTORY – CHEMICAL DESCRIPTION**

(one page per material per building or area)

ADD

DELETE

REVISE

200

Page ___ of ___

I. FACILITY INFORMATION

BUSINESS NAME (Same as FACILITY NAME or DBA – Doing Business As) 3

E & J Gallo Winery

CHEMICAL LOCATION 201

Barreled chemical storage area (between

CHEMICAL LOCATION CONFIDENTIAL EPCRA 202

YES

FACILITY ID #

F

A

0

0

0

0

1

0

5

MAP# (optional) 203

GRID# (optional) 204

II. CHEMICAL INFORMATION

CHEMICAL NAME 205

A, B, & C Aluminum Brightener

TRADE SECRET Yes 206

If Subject to EPCRA, refer to instructions

COMMON NAME 207

Aluminum Bright

EHS* Yes 208

CAS# 209

*If EHS is "Yes", all amounts below must be in lbs.

FIRE CODE HAZARD CLASSES (Complete if required by CUPA) 210

HAZARDOUS MATERIAL TYPE (Check one item only) 211

a. PURE b. MIXTURE c. WASTE

RADIOACTIVE Yes 212

CURIES 213

PHYSICAL STATE (Check one item only) 214

a. SOLID b. LIQUID c. GAS

LARGEST CONTAINER 215

55.0

FED HAZARD CATEGORIES (Check all that apply) 216

a. FIRE b. REACTIVE c. PRESSURE RELEASE d. ACUTE HEALTH e. CHRONIC HEALTH

AVERAGE DAILY AMOUNT 217

110.0

MAXIMUM DAILY AMOUNT 218

220.0

ANNUAL WASTE AMOUNT 219

STATE WASTE CODE 220

UNITS* 221

(Check one item only)

a. GALLONS b. CUBIC FEET c. POUNDS d. TONS

* If EHS, amount must be in pounds.

DAYS ON SITE: 222

365.0

STORAGE CONTAINER

a. ABOVE GROUND TANK e. PLASTIC/NONMETALLIC DRUM i. FIBER DRUM m. GLASS BOTTLE q. RAIL CAR
 b. UNDERGROUND TANK f. CAN j. BAG n. PLASTIC BOTTLE r. OTHER
 c. TANK INSIDE BUILDING g. CARBOY k. BOX o. TOTE BIN
 d. STEEL DRUM h. SILO l. CYLINDER p. TANK WAGON

STORAGE PRESSURE 224

a. AMBIENT b. ABOVE AMBIENT c. BELOW AMBIENT

STORAGE TEMPERATURE 225

a. AMBIENT b. ABOVE AMBIENT c. BELOW AMBIENT d. CRYOGENIC

%WT

HAZARDOUS COMPONENT (For mixture or waste only)

EHS

CAS #

1 10.0 226

hydroflouric acid (7664-39-3) 227

Yes 228

7664-39-3 229

2 20.0 230

phosphoric acid (7664-38-3) 231

Yes 232

7664-38-3 233

3 234

Yes 236

237

4 238

Yes 240

241

5 242

Yes 244

245

If more hazardous components are present at greater than 1% by weight if non-carcinogenic, or 0.1% by weight if carcinogenic, attach additional sheets of paper capturing the required information.

ADDITIONAL LOCALLY COLLECTED INFORMATION 246

If EPCRA, Please Sign Here

**UNIFIED PROGRAM CONSOLIDATED FORM
HAZARDOUS MATERIALS
HAZARDOUS MATERIALS INVENTORY – CHEMICAL DESCRIPTION**

(one page per material per building or area)

ADD

DELETE

REVISE

200

Page ___ of ___

I. FACILITY INFORMATION

BUSINESS NAME (Same as FACILITY NAME or DBA – Doing Business As) 3

E & J Gallo Winery

CHEMICAL LOCATION 201

Barreled chemical storage area (between

CHEMICAL LOCATION CONFIDENTIAL EPCRA 202

YES

FACILITY ID #

F A 0 0 0 0 1 0 5

MAP# (optional) 203

GRID# (optional) 204

II. CHEMICAL INFORMATION

CHEMICAL NAME 205

TRADE SECRET Yes 206

If Subject to EPCRA, refer to instructions

COMMON NAME 207

Amaspray

EHS* Yes 208

CAS# 209

11-76-2

*If EHS is "Yes", all amounts below must be in lbs.

FIRE CODE HAZARD CLASSES (Complete if required by CUPA) 210

HAZARDOUS MATERIAL TYPE (Check one item only) 211

a. PURE b. MIXTURE c. WASTE

RADIOACTIVE Yes 212

CURIES 213

PHYSICAL STATE (Check one item only) 214

a. SOLID b. LIQUID c. GAS

LARGEST CONTAINER 55.0 215

FED HAZARD CATEGORIES (Check all that apply) 216

a. FIRE b. REACTIVE c. PRESSURE RELEASE d. ACUTE HEALTH e. CHRONIC HEALTH

AVERAGE DAILY AMOUNT 217

220.0

MAXIMUM DAILY AMOUNT 218

550.0

ANNUAL WASTE AMOUNT 219

STATE WASTE CODE 220

UNITS* 221

(Check one item only)

a. GALLONS b. CUBIC FEET c. POUNDS d. TONS
* If EHS, amount must be in pounds.

DAYS ON SITE: 222

365.0

STORAGE CONTAINER 223

a. ABOVE GROUND TANK e. PLASTIC/NONMETALLIC DRUM i. FIBER DRUM m. GLASS BOTTLE q. RAIL CAR
 b. UNDERGROUND TANK f. CAN j. BAG n. PLASTIC BOTTLE r. OTHER
 c. TANK INSIDE BUILDING g. CARBOY k. BOX o. TOTE BIN
 d. STEEL DRUM h. SILO l. CYLINDER p. TANK WAGON

STORAGE PRESSURE 224

a. AMBIENT b. ABOVE AMBIENT c. BELOW AMBIENT

STORAGE TEMPERATURE 225

a. AMBIENT b. ABOVE AMBIENT c. BELOW AMBIENT d. CRYOGENIC

%WT

HAZARDOUS COMPONENT (For mixture or waste only)

EHS

CAS #

1 10.0 226

ethylene glycol monobutyl ether 227

Yes 228

111-76-2 229

2 230

Yes 232

233

3 234

Yes 236

237

4 238

Yes 240

241

5 242

Yes 244

245

If more hazardous components are present at greater than 1% by weight if non-carcinogenic, or 0.1% by weight if carcinogenic, attach additional sheets of paper capturing the required information.

ADDITIONAL LOCALLY COLLECTED INFORMATION 246

If EPCRA, Please Sign Here

**UNIFIED PROGRAM CONSOLIDATED FORM
HAZARDOUS MATERIALS
HAZARDOUS MATERIALS INVENTORY – CHEMICAL DESCRIPTION**

(one page per material per building or area)

ADD

DELETE

REVISE

200

Page ___ of ___

I. FACILITY INFORMATION

BUSINESS NAME (Same as FACILITY NAME or DBA – Doing Business As) 3

E & J Gallo Winery

CHEMICAL LOCATION 201

Gas cylinder storage area

CHEMICAL LOCATION CONFIDENTIAL EPCRA 202

YES

FACILITY ID #

F

A

0

0

0

0

1

0

5

1

MAP# (optional) 203

6

GRID# (optional) 204

II. CHEMICAL INFORMATION

CHEMICAL NAME 205

Argon

TRADE SECRET Yes 206

If Subject to EPCRA, refer to instructions

COMMON NAME 207

Argon

EHS* Yes 208

CAS# 209

7440-37-1

*If EHS is "Yes", all amounts below must be in lbs.

FIRE CODE HAZARD CLASSES (Complete if required by CUPA) 210

HAZARDOUS MATERIAL TYPE (Check one item only) 211

a. PURE b. MIXTURE c. WASTE

RADIOACTIVE Yes 212

CURIES 213

PHYSICAL STATE (Check one item only) 214

a. SOLID b. LIQUID c. GAS

LARGEST CONTAINER 215

124.0

FED HAZARD CATEGORIES (Check all that apply) 216

a. FIRE b. REACTIVE c. PRESSURE RELEASE d. ACUTE HEALTH e. CHRONIC HEALTH

AVERAGE DAILY AMOUNT 217

2000.0

MAXIMUM DAILY AMOUNT 218

4000.0

ANNUAL WASTE AMOUNT 219

STATE WASTE CODE 220

UNITS* 221

(Check one item only)

a. GALLONS b. CUBIC FEET c. POUNDS d. TONS
* If EHS, amount must be in pounds.

DAYS ON SITE: 222

365.0

STORAGE CONTAINER

a. ABOVE GROUND TANK e. PLASTIC/NONMETALLIC DRUM i. FIBER DRUM m. GLASS BOTTLE q. RAIL CAR
 b. UNDERGROUND TANK f. CAN j. BAG n. PLASTIC BOTTLE r. OTHER
 c. TANK INSIDE BUILDING g. CARBOY k. BOX o. TOTE BIN
 d. STEEL DRUM h. SILO l. CYLINDER p. TANK WAGON

STORAGE PRESSURE 224

a. AMBIENT b. ABOVE AMBIENT c. BELOW AMBIENT

STORAGE TEMPERATURE 225

a. AMBIENT b. ABOVE AMBIENT c. BELOW AMBIENT d. CRYOGENIC

%WT

HAZARDOUS COMPONENT (For mixture or waste only)

EHS

CAS #

1 100.0 226

argon 227

Yes 228

7440-37-1 229

2 230

Yes 232

233

3 234

Yes 236

237

4 238

Yes 240

241

5 242

Yes 244

245

If more hazardous components are present at greater than 1% by weight if non-carcinogenic, or 0.1% by weight if carcinogenic, attach additional sheets of paper capturing the required information.

ADDITIONAL LOCALLY COLLECTED INFORMATION 246

If EPCRA, Please Sign Here

**UNIFIED PROGRAM CONSOLIDATED FORM
HAZARDOUS MATERIALS
HAZARDOUS MATERIALS INVENTORY – CHEMICAL DESCRIPTION**

(one page per material per building or area)

ADD

DELETE

REVISE

200

Page ___ of ___

I. FACILITY INFORMATION

BUSINESS NAME (Same as FACILITY NAME or DBA – Doing Business As) 3

E & J Gallo Winery

CHEMICAL LOCATION 201

Gas cylinder storage area

CHEMICAL LOCATION CONFIDENTIAL EPCRA 202

YES

FACILITY ID #

F

A

0

0

0

0

1

0

5

MAP# (optional) 203

6

GRID# (optional) 204

II. CHEMICAL INFORMATION

CHEMICAL NAME 205

CO2

TRADE SECRET Yes 206

If Subject to EPCRA, refer to instructions

COMMON NAME 207

Carbon Dioxide

EHS* Yes 208

CAS# 209

124-38-9

*If EHS is "Yes", all amounts below must be in lbs.

FIRE CODE HAZARD CLASSES (Complete if required by CUPA) 210

HAZARDOUS MATERIAL TYPE (Check one item only) 211

a. PURE b. MIXTURE c. WASTE

RADIOACTIVE Yes 212

CURIES 213

PHYSICAL STATE (Check one item only) 214

a. SOLID b. LIQUID c. GAS

LARGEST CONTAINER 215

64.0

FED HAZARD CATEGORIES (Check all that apply) 216

a. FIRE b. REACTIVE c. PRESSURE RELEASE d. ACUTE HEALTH e. CHRONIC HEALTH

AVERAGE DAILY AMOUNT 217

384.0

MAXIMUM DAILY AMOUNT 218

768.0

ANNUAL WASTE AMOUNT 219

STATE WASTE CODE 220

UNITS* 221

(Check one item only)

a. GALLONS b. CUBIC FEET c. POUNDS d. TONS

* If EHS, amount must be in pounds.

DAYS ON SITE: 222

365.0

STORAGE CONTAINER 223

a. ABOVE GROUND TANK e. PLASTIC/NONMETALLIC DRUM i. FIBER DRUM m. GLASS BOTTLE q. RAIL CAR
 b. UNDERGROUND TANK f. CAN j. BAG n. PLASTIC BOTTLE r. OTHER
 c. TANK INSIDE BUILDING g. CARBOY k. BOX o. TOTE BIN
 d. STEEL DRUM h. SILO l. CYLINDER p. TANK WAGON

STORAGE PRESSURE 224

a. AMBIENT b. ABOVE AMBIENT c. BELOW AMBIENT

STORAGE TEMPERATURE 225

a. AMBIENT b. ABOVE AMBIENT c. BELOW AMBIENT d. CRYOGENIC

%WT

HAZARDOUS COMPONENT (For mixture or waste only)

EHS

CAS #

1

226

227

Yes 228

229

2

230

231

Yes 232

233

3

234

235

Yes 236

237

4

238

239

Yes 240

241

5

242

243

Yes 244

245

If more hazardous components are present at greater than 1% by weight if non-carcinogenic, or 0.1% by weight if carcinogenic, attach additional sheets of paper capturing the required information.

ADDITIONAL LOCALLY COLLECTED INFORMATION 246

If EPCRA, Please Sign Here

**UNIFIED PROGRAM CONSOLIDATED FORM
HAZARDOUS MATERIALS
HAZARDOUS MATERIALS INVENTORY – CHEMICAL DESCRIPTION**

(one page per material per building or area)

ADD

DELETE

REVISE

200

Page ___ of ___

I. FACILITY INFORMATION

BUSINESS NAME (Same as FACILITY NAME or DBA – Doing Business As) 3

E & J Gallo Winery

CHEMICAL LOCATION 201

Lubricant storage area; maintenance shop

CHEMICAL LOCATION CONFIDENTIAL EPCRA 202

YES

FACILITY ID #

F

A

0

0

0

0

1

0

5

MAP# (optional) 203

4

GRID# (optional) 204

II. CHEMICAL INFORMATION

CHEMICAL NAME 205

Chevron #325 stoddard solvent

TRADE SECRET Yes 206

If Subject to EPCRA, refer to instructions

COMMON NAME 207

Stoddard solvents

EHS* Yes 208

CAS# 209

8052-41-3

*If EHS is "Yes", all amounts below must be in lbs.

FIRE CODE HAZARD CLASSES (Complete if required by CUPA) 210

HAZARDOUS MATERIAL TYPE (Check one item only) 211

a. PURE b. MIXTURE c. WASTE

RADIOACTIVE Yes 212

CURIES 213

PHYSICAL STATE (Check one item only) 214

a. SOLID b. LIQUID c. GAS

LARGEST CONTAINER 215

55.0

FED HAZARD CATEGORIES (Check all that apply) 216

a. FIRE b. REACTIVE c. PRESSURE RELEASE d. ACUTE HEALTH e. CHRONIC HEALTH

AVERAGE DAILY AMOUNT 217

110.0

MAXIMUM DAILY AMOUNT 218

165.0

ANNUAL WASTE AMOUNT 219

STATE WASTE CODE 220

UNITS* 221

(Check one item only)

a. GALLONS b. CUBIC FEET c. POUNDS d. TONS

* If EHS, amount must be in pounds.

DAYS ON SITE: 222

365.0

STORAGE CONTAINER

a. ABOVE GROUND TANK e. PLASTIC/NONMETALLIC DRUM i. FIBER DRUM m. GLASS BOTTLE q. RAIL CAR
 b. UNDERGROUND TANK f. CAN j. BAG n. PLASTIC BOTTLE r. OTHER
 c. TANK INSIDE BUILDING g. CARBOY k. BOX o. TOTE BIN
 d. STEEL DRUM h. SILO l. CYLINDER p. TANK WAGON

STORAGE PRESSURE 224

a. AMBIENT b. ABOVE AMBIENT c. BELOW AMBIENT

STORAGE TEMPERATURE 225

a. AMBIENT b. ABOVE AMBIENT c. BELOW AMBIENT d. CRYOGENIC

%WT

HAZARDOUS COMPONENT (For mixture or waste only)

EHS

CAS #

1 0.0 226

stoddard solvent 227

Yes 228

229

2 230

Yes 232

233

3 234

Yes 236

237

4 238

Yes 240

241

5 242

Yes 244

245

If more hazardous components are present at greater than 1% by weight if non-carcinogenic, or 0.1% by weight if carcinogenic, attach additional sheets of paper capturing the required information.

ADDITIONAL LOCALLY COLLECTED INFORMATION 246

If EPCRA, Please Sign Here

**UNIFIED PROGRAM CONSOLIDATED FORM
HAZARDOUS MATERIALS
HAZARDOUS MATERIALS INVENTORY – CHEMICAL DESCRIPTION**

(one page per material per building or area)

ADD

DELETE

REVISE

200

Page ___ of ___

I. FACILITY INFORMATION

BUSINESS NAME (Same as FACILITY NAME or DBA – Doing Business As) 3

E & J Gallo Winery

CHEMICAL LOCATION 201

Barreled chemical storage area

CHEMICAL LOCATION CONFIDENTIAL EPCRA 202

YES

FACILITY ID #

F A 0 0 0 0 1 0 5

MAP# (optional) 203

7

GRID# (optional) 204

II. CHEMICAL INFORMATION

CHEMICAL NAME 205

Freestone

TRADE SECRET 206

Yes

If Subject to EPCRA, refer to instructions

COMMON NAME 207

Freestone

EHS* 208

Yes

CAS# 209

7664-38-2

*If EHS is "Yes", all amounts below must be in lbs.

FIRE CODE HAZARD CLASSES (Complete if required by CUPA) 210

HAZARDOUS MATERIAL TYPE (Check one item only) 211

a. PURE b. MIXTURE c. WASTE

RADIOACTIVE Yes 212

CURIES 213

PHYSICAL STATE (Check one item only) 214

a. SOLID b. LIQUID c. GAS

LARGEST CONTAINER 215

55.0

FED HAZARD CATEGORIES (Check all that apply) 216

a. FIRE b. REACTIVE c. PRESSURE RELEASE d. ACUTE HEALTH e. CHRONIC HEALTH

AVERAGE DAILY AMOUNT 217

110.0

MAXIMUM DAILY AMOUNT 218

220.0

ANNUAL WASTE AMOUNT 219

STATE WASTE CODE 220

UNITS* 221

(Check one item only)

a. GALLONS b. CUBIC FEET c. POUNDS d. TONS

* If EHS, amount must be in pounds.

DAYS ON SITE: 222

365.0

STORAGE CONTAINER 223

a. ABOVE GROUND TANK e. PLASTIC/NONMETALLIC DRUM i. FIBER DRUM m. GLASS BOTTLE q. RAIL CAR
 b. UNDERGROUND TANK f. CAN j. BAG n. PLASTIC BOTTLE r. OTHER
 c. TANK INSIDE BUILDING g. CARBOY k. BOX o. TOTE BIN
 d. STEEL DRUM h. SILO l. CYLINDER p. TANK WAGON

STORAGE PRESSURE 224

a. AMBIENT b. ABOVE AMBIENT c. BELOW AMBIENT

STORAGE TEMPERATURE 225

a. AMBIENT b. ABOVE AMBIENT c. BELOW AMBIENT d. CRYOGENIC

%WT

HAZARDOUS COMPONENT (For mixture or waste only)

EHS

CAS #

1 60.0 226

phosphoric acid 227

Yes 228

7664-38-2 229

2 230

Yes 232

233

3 234

Yes 236

237

4 238

Yes 240

241

5 242

Yes 244

245

If more hazardous components are present at greater than 1% by weight if non-carcinogenic, or 0.1% by weight if carcinogenic, attach additional sheets of paper capturing the required information.

ADDITIONAL LOCALLY COLLECTED INFORMATION 246

If EPCRA, Please Sign Here

**UNIFIED PROGRAM CONSOLIDATED FORM
HAZARDOUS MATERIALS
HAZARDOUS MATERIALS INVENTORY – CHEMICAL DESCRIPTION**

(one page per material per building or area)

ADD

DELETE

REVISE

200

Page ___ of ___

I. FACILITY INFORMATION

BUSINESS NAME (Same as FACILITY NAME or DBA – Doing Business As) 3

E & J Gallo Winery

CHEMICAL LOCATION 201

chemical storage building by main sump

CHEMICAL LOCATION CONFIDENTIAL EPCRA 202

YES

FACILITY ID #

F A 0 0 0 0 1 0 5

MAP# (optional) 203

4

GRID# (optional) 204

II. CHEMICAL INFORMATION

CHEMICAL NAME 205

Carbon

TRADE SECRET 206

Yes

If Subject to EPCRA, refer to instructions

COMMON NAME 207

Carbon

EHS* 208

Yes

CAS# 209

*If EHS is "Yes", all amounts below must be in lbs.

FIRE CODE HAZARD CLASSES (Complete if required by CUPA) 210

HAZARDOUS MATERIAL TYPE (Check one item only) 211

a. PURE b. MIXTURE c. WASTE

RADIOACTIVE Yes 212

CURIES 213

PHYSICAL STATE (Check one item only) 214

a. SOLID b. LIQUID c. GAS

LARGEST CONTAINER 215

50.0

FED HAZARD CATEGORIES (Check all that apply) 216

a. FIRE b. REACTIVE c. PRESSURE RELEASE d. ACUTE HEALTH e. CHRONIC HEALTH

AVERAGE DAILY AMOUNT 217

20000.0

MAXIMUM DAILY AMOUNT 218

50000.0

ANNUAL WASTE AMOUNT 219

STATE WASTE CODE 220

UNITS* 221

(Check one item only)

a. GALLONS b. CUBIC FEET c. POUNDS d. TONS

* If EHS, amount must be in pounds.

DAYS ON SITE: 222

365.0

STORAGE CONTAINER

a. ABOVE GROUND TANK e. PLASTIC/NONMETALLIC DRUM i. FIBER DRUM m. GLASS BOTTLE q. RAIL CAR
 b. UNDERGROUND TANK f. CAN j. BAG n. PLASTIC BOTTLE r. OTHER
 c. TANK INSIDE BUILDING g. CARBOY k. BOX o. TOTE BIN
 d. STEEL DRUM h. SILO l. CYLINDER p. TANK WAGON

STORAGE PRESSURE 224

a. AMBIENT b. ABOVE AMBIENT c. BELOW AMBIENT

STORAGE TEMPERATURE 225

a. AMBIENT b. ABOVE AMBIENT c. BELOW AMBIENT d. CRYOGENIC

%WT

HAZARDOUS COMPONENT (For mixture or waste only)

EHS

CAS #

1 226

1.0

xylol

227

Yes

228

229

2 230

1.0

propylene glycol monothyl ether acetate

231

Yes

232

233

3 234

235

Yes

236

237

4 238

239

Yes

240

241

5 242

243

Yes

244

245

If more hazardous components are present at greater than 1% by weight if non-carcinogenic, or 0.1% by weight if carcinogenic, attach additional sheets of paper capturing the required information.

ADDITIONAL LOCALLY COLLECTED INFORMATION 246

If EPCRA, Please Sign Here

**UNIFIED PROGRAM CONSOLIDATED FORM
HAZARDOUS MATERIALS
HAZARDOUS MATERIALS INVENTORY – CHEMICAL DESCRIPTION**

(one page per material per building or area)

ADD

DELETE

REVISE

200

Page ___ of ___

I. FACILITY INFORMATION

BUSINESS NAME (Same as FACILITY NAME or DBA – Doing Business As) 3

E & J Gallo Winery

CHEMICAL LOCATION 201

Paint storage area

CHEMICAL LOCATION CONFIDENTIAL EPCRA 202

YES

FACILITY ID #

F

A

0

0

0

0

1

0

5

MAP# (optional) 203

GRID# (optional) 204

II. CHEMICAL INFORMATION

CHEMICAL NAME 205

TRADE SECRET Yes 206

If Subject to EPCRA, refer to instructions

COMMON NAME 207

Futura-0Thane 5007 (Paint)

EHS* Yes 208

CAS# 209

*If EHS is "Yes", all amounts below must be in lbs.

FIRE CODE HAZARD CLASSES (Complete if required by CUPA) 210

HAZARDOUS MATERIAL TYPE (Check one item only) 211

a. PURE b. MIXTURE c. WASTE

RADIOACTIVE Yes 212

CURIES 213

PHYSICAL STATE (Check one item only) 214

a. SOLID b. LIQUID c. GAS

LARGEST CONTAINER 215

FED HAZARD CATEGORIES (Check all that apply) 216

a. FIRE b. REACTIVE c. PRESSURE RELEASE d. ACUTE HEALTH e. CHRONIC HEALTH

AVERAGE DAILY AMOUNT 217

55.0

MAXIMUM DAILY AMOUNT 218

110.0

ANNUAL WASTE AMOUNT 219

STATE WASTE CODE 220

UNITS* 221

(Check one item only)

a. GALLONS b. CUBIC FEET c. POUNDS d. TONS
* If EHS, amount must be in pounds.

DAYS ON SITE: 222

365.0

STORAGE CONTAINER 223

a. ABOVE GROUND TANK e. PLASTIC/NONMETALLIC DRUM i. FIBER DRUM m. GLASS BOTTLE q. RAIL CAR
 b. UNDERGROUND TANK f. CAN j. BAG n. PLASTIC BOTTLE r. OTHER
 c. TANK INSIDE BUILDING g. CARBOY k. BOX o. TOTE BIN
 d. STEEL DRUM h. SILO l. CYLINDER p. TANK WAGON

STORAGE PRESSURE 224

a. AMBIENT b. ABOVE AMBIENT c. BELOW AMBIENT

STORAGE TEMPERATURE 225

a. AMBIENT b. ABOVE AMBIENT c. BELOW AMBIENT d. CRYOGENIC

%WT

HAZARDOUS COMPONENT (For mixture or waste only)

EHS

CAS #

1

226

227

Yes 228

229

2

230

231

Yes 232

233

3

234

235

Yes 236

237

4

238

239

Yes 240

241

5

242

243

Yes 244

245

If more hazardous components are present at greater than 1% by weight if non-carcinogenic, or 0.1% by weight if carcinogenic, attach additional sheets of paper capturing the required information.

ADDITIONAL LOCALLY COLLECTED INFORMATION 246

If EPCRA, Please Sign Here

**UNIFIED PROGRAM CONSOLIDATED FORM
HAZARDOUS MATERIALS
HAZARDOUS MATERIALS INVENTORY – CHEMICAL DESCRIPTION**

(one page per material per building or area)

ADD

DELETE

REVISE

200

Page ___ of ___

I. FACILITY INFORMATION

BUSINESS NAME (Same as FACILITY NAME or DBA – Doing Business As) 3

E & J Gallo Winery

CHEMICAL LOCATION 201

convault storage tank by gate #12

CHEMICAL LOCATION CONFIDENTIAL EPCRA 202

YES

FACILITY ID #

F

A

0

0

0

0

1

0

5

MAP# (optional) 203

9

GRID# (optional) 204

II. CHEMICAL INFORMATION

CHEMICAL NAME 205

Petroleum Hydrocarbon

TRADE SECRET Yes 206

If Subject to EPCRA, refer to instructions

COMMON NAME 207

Gasoline (RU)(U+)(P)

EHS* Yes 208

CAS# 209

8006-61-9

*If EHS is "Yes", all amounts below must be in lbs.

FIRE CODE HAZARD CLASSES (Complete if required by CUPA) 210

HAZARDOUS MATERIAL TYPE (Check one item only) 211

a. PURE

b. MIXTURE

c. WASTE

RADIOACTIVE Yes 212

CURIES 213

PHYSICAL STATE (Check one item only) 214

a. SOLID

b. LIQUID

c. GAS

LARGEST CONTAINER 215

500.0

FED HAZARD CATEGORIES (Check all that apply) 216

a. FIRE

b. REACTIVE

c. PRESSURE RELEASE

d. ACUTE HEALTH

e. CHRONIC HEALTH

AVERAGE DAILY AMOUNT 217

300.0

MAXIMUM DAILY AMOUNT 218

500.0

ANNUAL WASTE AMOUNT 219

STATE WASTE CODE 220

UNITS* 221

(Check one item only)

a. GALLONS

b. CUBIC FEET

c. POUNDS

d. TONS

* If EHS, amount must be in pounds.

DAYS ON SITE: 222

365.0

STORAGE CONTAINER 223

a. ABOVE GROUND TANK

b. UNDERGROUND TANK

c. TANK INSIDE BUILDING

d. STEEL DRUM

e. PLASTIC/NONMETALLIC DRUM

f. CAN

g. CARBOY

h. SILO

i. FIBER DRUM

j. BAG

k. BOX

l. CYLINDER

m. GLASS BOTTLE

n. PLASTIC BOTTLE

o. TOTE BIN

p. TANK WAGON

q. RAIL CAR

r. OTHER

STORAGE PRESSURE 224

a. AMBIENT

b. ABOVE AMBIENT

c. BELOW AMBIENT

STORAGE TEMPERATURE 225

a. AMBIENT

b. ABOVE AMBIENT

c. BELOW AMBIENT

d. CRYOGENIC

%WT

HAZARDOUS COMPONENT (For mixture or waste only)

EHS

CAS #

1

226

hydrocarbon W/A BP CF 70F-440F 227

Yes 228

229

2

230

methyl tertiary-butyl ether 231

Yes 232

233

3

234

gasoline-grade tertiary-butyl alcohol 235

Yes 236

237

4

238

Yes 240

241

5

242

Yes 244

245

If more hazardous components are present at greater than 1% by weight if non-carcinogenic, or 0.1% by weight if carcinogenic, attach additional sheets of paper capturing the required information.

ADDITIONAL LOCALLY COLLECTED INFORMATION 246

If EPCRA, Please Sign Here

**UNIFIED PROGRAM CONSOLIDATED FORM
HAZARDOUS MATERIALS
HAZARDOUS MATERIALS INVENTORY – CHEMICAL DESCRIPTION**

(one page per material per building or area)

ADD

DELETE

REVISE

200

Page ___ of ___

I. FACILITY INFORMATION

BUSINESS NAME (Same as FACILITY NAME or DBA – Doing Business As) 3

E & J Gallo Winery

CHEMICAL LOCATION 201

Gas cylinder storage area

CHEMICAL LOCATION CONFIDENTIAL EPCRA 202

YES

FACILITY ID #

F

A

0

0

0

0

1

0

5

MAP# (optional) 203

6

GRID# (optional) 204

II. CHEMICAL INFORMATION

CHEMICAL NAME 205

Helium

TRADE SECRET 206

Yes

If Subject to EPCRA, refer to instructions

COMMON NAME 207

Helium

EHS* 208

Yes

CAS# 209

9440-59-7

*If EHS is "Yes", all amounts below must be in lbs.

FIRE CODE HAZARD CLASSES (Complete if required by CUPA) 210

HAZARDOUS MATERIAL TYPE (Check one item only) 211

a. PURE b. MIXTURE c. WASTE

RADIOACTIVE Yes 212

CURIES 213

PHYSICAL STATE (Check one item only) 214

a. SOLID b. LIQUID c. GAS

LARGEST CONTAINER 215

211.0

FED HAZARD CATEGORIES (Check all that apply) 216

a. FIRE b. REACTIVE c. PRESSURE RELEASE d. ACUTE HEALTH e. CHRONIC HEALTH

AVERAGE DAILY AMOUNT 217

1055.0

MAXIMUM DAILY AMOUNT 218

2110.0

ANNUAL WASTE AMOUNT 219

STATE WASTE CODE 220

UNITS* 221

(Check one item only)

a. GALLONS b. CUBIC FEET c. POUNDS d. TONS

* If EHS, amount must be in pounds.

DAYS ON SITE: 222

365.0

STORAGE CONTAINER

a. ABOVE GROUND TANK e. PLASTIC/NONMETALLIC DRUM i. FIBER DRUM m. GLASS BOTTLE q. RAIL CAR
 b. UNDERGROUND TANK f. CAN j. BAG n. PLASTIC BOTTLE r. OTHER
 c. TANK INSIDE BUILDING g. CARBOY k. BOX o. TOTE BIN
 d. STEEL DRUM h. SILO l. CYLINDER p. TANK WAGON

STORAGE PRESSURE 224

a. AMBIENT b. ABOVE AMBIENT c. BELOW AMBIENT

STORAGE TEMPERATURE 225

a. AMBIENT b. ABOVE AMBIENT c. BELOW AMBIENT d. CRYOGENIC

%WT

HAZARDOUS COMPONENT (For mixture or waste only)

EHS

CAS #

1

226

227

Yes

228

229

2

230

231

Yes

232

233

3

234

235

Yes

236

237

4

238

239

Yes

240

241

5

242

243

Yes

244

245

If more hazardous components are present at greater than 1% by weight if non-carcinogenic, or 0.1% by weight if carcinogenic, attach additional sheets of paper capturing the required information.

ADDITIONAL LOCALLY COLLECTED INFORMATION 246

If EPCRA, Please Sign Here

**UNIFIED PROGRAM CONSOLIDATED FORM
HAZARDOUS MATERIALS
HAZARDOUS MATERIALS INVENTORY – CHEMICAL DESCRIPTION**

(one page per material per building or area)

ADD

DELETE

REVISE

200

Page ___ of ___

I. FACILITY INFORMATION

BUSINESS NAME (Same as FACILITY NAME or DBA – Doing Business As) 3

E & J Gallo Winery

CHEMICAL LOCATION 201

Gas cylinder storage area, Lab area

CHEMICAL LOCATION CONFIDENTIAL EPCRA 202

YES

FACILITY ID #

F

A

0

0

0

0

1

0

5

MAP# (optional) 203

6

GRID# (optional) 204

II. CHEMICAL INFORMATION

CHEMICAL NAME 205

Hydrogen

TRADE SECRET 206

Yes

If Subject to EPCRA, refer to instructions

COMMON NAME 207

Hydrogen/Compressed

EHS* 208

Yes

CAS# 209

1333-74-0

*If EHS is "Yes", all amounts below must be in lbs.

FIRE CODE HAZARD CLASSES (Complete if required by CUPA) 210

HAZARDOUS MATERIAL TYPE (Check one item only) 211

a. PURE b. MIXTURE c. WASTE

RADIOACTIVE Yes 212

CURIES 213

PHYSICAL STATE (Check one item only) 214

a. SOLID b. LIQUID c. GAS

LARGEST CONTAINER 215

195.0

FED HAZARD CATEGORIES (Check all that apply) 216

a. FIRE b. REACTIVE c. PRESSURE RELEASE d. ACUTE HEALTH e. CHRONIC HEALTH

AVERAGE DAILY AMOUNT 217

260.0

MAXIMUM DAILY AMOUNT 218

525.0

ANNUAL WASTE AMOUNT 219

STATE WASTE CODE 220

UNITS* 221

(Check one item only)

a. GALLONS b. CUBIC FEET c. POUNDS d. TONS

* If EHS, amount must be in pounds.

DAYS ON SITE: 222

365.0

STORAGE CONTAINER

a. ABOVE GROUND TANK e. PLASTIC/NONMETALLIC DRUM i. FIBER DRUM m. GLASS BOTTLE q. RAIL CAR
 b. UNDERGROUND TANK f. CAN j. BAG n. PLASTIC BOTTLE r. OTHER
 c. TANK INSIDE BUILDING g. CARBOY k. BOX o. TOTE BIN
 d. STEEL DRUM h. SILO l. CYLINDER p. TANK WAGON

STORAGE PRESSURE 224

a. AMBIENT b. ABOVE AMBIENT c. BELOW AMBIENT

STORAGE TEMPERATURE 225

a. AMBIENT b. ABOVE AMBIENT c. BELOW AMBIENT d. CRYOGENIC

%WT

HAZARDOUS COMPONENT (For mixture or waste only)

EHS

CAS #

1

226

227

Yes

228

229

2

230

231

Yes

232

233

3

234

235

Yes

236

237

4

238

239

Yes

240

241

5

242

243

Yes

244

245

If more hazardous components are present at greater than 1% by weight if non-carcinogenic, or 0.1% by weight if carcinogenic, attach additional sheets of paper capturing the required information.

ADDITIONAL LOCALLY COLLECTED INFORMATION 246

If EPCRA, Please Sign Here

**UNIFIED PROGRAM CONSOLIDATED FORM
HAZARDOUS MATERIALS
HAZARDOUS MATERIALS INVENTORY – CHEMICAL DESCRIPTION**

(one page per material per building or area)

ADD

DELETE

REVISE

200

Page ___ of ___

I. FACILITY INFORMATION

BUSINESS NAME (Same as FACILITY NAME or DBA – Doing Business As) 3

E & J Gallo Winery

CHEMICAL LOCATION 201

Lubricant storage area by gate #12

CHEMICAL LOCATION CONFIDENTIAL EPCRA 202

YES

FACILITY ID #

F A 0 0 0 0 1 0 5

MAP# (optional) 203

4

GRID# (optional) 204

II. CHEMICAL INFORMATION

CHEMICAL NAME 205

Kerosene

TRADE SECRET Yes 206

If Subject to EPCRA, refer to instructions

COMMON NAME 207

Kerosene

EHS* Yes 208

CAS# 209

8008-20-6

*If EHS is "Yes", all amounts below must be in lbs.

FIRE CODE HAZARD CLASSES (Complete if required by CUPA) 210

HAZARDOUS MATERIAL TYPE (Check one item only) 211

a. PURE b. MIXTURE c. WASTE

RADIOACTIVE Yes 212

CURIES 213

PHYSICAL STATE (Check one item only) 214

a. SOLID b. LIQUID c. GAS

LARGEST CONTAINER 215

55.0

FED HAZARD CATEGORIES (Check all that apply) 216

a. FIRE b. REACTIVE c. PRESSURE RELEASE d. ACUTE HEALTH e. CHRONIC HEALTH

AVERAGE DAILY AMOUNT 217

110.0

MAXIMUM DAILY AMOUNT 218

275.0

ANNUAL WASTE AMOUNT 219

STATE WASTE CODE 220

UNITS* 221

(Check one item only)

a. GALLONS b. CUBIC FEET c. POUNDS d. TONS
* If EHS, amount must be in pounds.

DAYS ON SITE: 222

365.0

STORAGE CONTAINER

a. ABOVE GROUND TANK e. PLASTIC/NONMETALLIC DRUM i. FIBER DRUM m. GLASS BOTTLE q. RAIL CAR
 b. UNDERGROUND TANK f. CAN j. BAG n. PLASTIC BOTTLE r. OTHER
 c. TANK INSIDE BUILDING g. CARBOY k. BOX o. TOTE BIN
 d. STEEL DRUM h. SILO l. CYLINDER p. TANK WAGON

STORAGE PRESSURE 224

a. AMBIENT b. ABOVE AMBIENT c. BELOW AMBIENT

STORAGE TEMPERATURE 225

a. AMBIENT b. ABOVE AMBIENT c. BELOW AMBIENT d. CRYOGENIC

%WT

HAZARDOUS COMPONENT (For mixture or waste only)

EHS

CAS #

1

226

227

Yes 228

229

2

230

231

Yes 232

233

3

234

235

Yes 236

237

4

238

239

Yes 240

241

5

242

243

Yes 244

245

If more hazardous components are present at greater than 1% by weight if non-carcinogenic, or 0.1% by weight if carcinogenic, attach additional sheets of paper capturing the required information.

ADDITIONAL LOCALLY COLLECTED INFORMATION 246

If EPCRA, Please Sign Here

**UNIFIED PROGRAM CONSOLIDATED FORM
HAZARDOUS MATERIALS
HAZARDOUS MATERIALS INVENTORY – CHEMICAL DESCRIPTION**

(one page per material per building or area)

ADD

DELETE

REVISE

200

Page ___ of ___

I. FACILITY INFORMATION

BUSINESS NAME (Same as FACILITY NAME or DBA – Doing Business As) 3

E & J Gallo Winery

CHEMICAL LOCATION 201

paint storage area

CHEMICAL LOCATION CONFIDENTIAL EPCRA 202

YES

FACILITY ID #

F A 0 0 0 0 1 0 5

MAP# (optional) 203

9

GRID# (optional) 204

II. CHEMICAL INFORMATION

CHEMICAL NAME 205

Thinner

TRADE SECRET 206

Yes

If Subject to EPCRA, refer to instructions

COMMON NAME 207

Futura 50 Thinner

EHS* 208

Yes

CAS# 209

*If EHS is "Yes", all amounts below must be in lbs.

FIRE CODE HAZARD CLASSES (Complete if required by CUPA) 210

HAZARDOUS MATERIAL TYPE (Check one item only) 211

a. PURE b. MIXTURE c. WASTE

RADIOACTIVE Yes 212

CURIES 213

PHYSICAL STATE (Check one item only) 214

a. SOLID b. LIQUID c. GAS

LARGEST CONTAINER 215

5.0

FED HAZARD CATEGORIES (Check all that apply) 216

a. FIRE b. REACTIVE c. PRESSURE RELEASE d. ACUTE HEALTH e. CHRONIC HEALTH

AVERAGE DAILY AMOUNT 217

10.0

MAXIMUM DAILY AMOUNT 218

25.0

ANNUAL WASTE AMOUNT 219

STATE WASTE CODE 220

UNITS* 221

(Check one item only)

a. GALLONS b. CUBIC FEET c. POUNDS d. TONS

* If EHS, amount must be in pounds.

DAYS ON SITE: 222

365.0

STORAGE CONTAINER

a. ABOVE GROUND TANK e. PLASTIC/NONMETALLIC DRUM i. FIBER DRUM m. GLASS BOTTLE q. RAIL CAR
 b. UNDERGROUND TANK f. CAN j. BAG n. PLASTIC BOTTLE r. OTHER
 c. TANK INSIDE BUILDING g. CARBOY k. BOX o. TOTE BIN
 d. STEEL DRUM h. SILO l. CYLINDER p. TANK WAGON

STORAGE PRESSURE 224

a. AMBIENT b. ABOVE AMBIENT c. BELOW AMBIENT

STORAGE TEMPERATURE 225

a. AMBIENT b. ABOVE AMBIENT c. BELOW AMBIENT d. CRYOGENIC

%WT

HAZARDOUS COMPONENT (For mixture or waste only)

EHS

CAS #

1 1.0 226

yxlol 227

Yes 228

229

2 1.0 230

propylene glycol monoethyl-ether acetate 231

Yes 232

233

3 234

Yes 236

237

4 238

Yes 240

241

5 242

Yes 244

245

If more hazardous components are present at greater than 1% by weight if non-carcinogenic, or 0.1% by weight if carcinogenic, attach additional sheets of paper capturing the required information.

ADDITIONAL LOCALLY COLLECTED INFORMATION 246

If EPCRA, Please Sign Here

**UNIFIED PROGRAM CONSOLIDATED FORM
HAZARDOUS MATERIALS
HAZARDOUS MATERIALS INVENTORY – CHEMICAL DESCRIPTION**

(one page per material per building or area)

ADD

DELETE

REVISE

200

Page ___ of ___

I. FACILITY INFORMATION

BUSINESS NAME (Same as FACILITY NAME or DBA – Doing Business As) 3

E & J Gallo Winery

CHEMICAL LOCATION 201

paint storage area

CHEMICAL LOCATION CONFIDENTIAL EPCRA 202

YES

FACILITY ID #

F

A

0

0

0

0

1

0

5

MAP# (optional) 203

9

GRID# (optional) 204

II. CHEMICAL INFORMATION

CHEMICAL NAME 205

Methyl Ethyl Ketone

TRADE SECRET 206

Yes

If Subject to EPCRA, refer to instructions

COMMON NAME 207

MEK

EHS* 208

Yes

CAS# 209

78-93-3

*If EHS is "Yes", all amounts below must be in lbs.

FIRE CODE HAZARD CLASSES (Complete if required by CUPA) 210

HAZARDOUS MATERIAL TYPE (Check one item only) 211

a. PURE b. MIXTURE c. WASTE

RADIOACTIVE Yes 212

CURIES 213

PHYSICAL STATE (Check one item only) 214

a. SOLID b. LIQUID c. GAS

LARGEST CONTAINER 215

55.0

FED HAZARD CATEGORIES (Check all that apply) 216

a. FIRE b. REACTIVE c. PRESSURE RELEASE d. ACUTE HEALTH e. CHRONIC HEALTH

AVERAGE DAILY AMOUNT 217

165.0

MAXIMUM DAILY AMOUNT 218

440.0

ANNUAL WASTE AMOUNT 219

STATE WASTE CODE 220

UNITS* (Check one item only) 221

a. GALLONS b. CUBIC FEET c. POUNDS d. TONS
* If EHS, amount must be in pounds.

DAYS ON SITE: 222

365.0

STORAGE CONTAINER

a. ABOVE GROUND TANK e. PLASTIC/NONMETALLIC DRUM i. FIBER DRUM m. GLASS BOTTLE q. RAIL CAR
 b. UNDERGROUND TANK f. CAN j. BAG n. PLASTIC BOTTLE r. OTHER
 c. TANK INSIDE BUILDING g. CARBOY k. BOX o. TOTE BIN
 d. STEEL DRUM h. SILO l. CYLINDER p. TANK WAGON

STORAGE PRESSURE 224

a. AMBIENT b. ABOVE AMBIENT c. BELOW AMBIENT

STORAGE TEMPERATURE 225

a. AMBIENT b. ABOVE AMBIENT c. BELOW AMBIENT d. CRYOGENIC

%WT

HAZARDOUS COMPONENT (For mixture or waste only)

EHS

CAS #

1

226

227

Yes

228

229

2

230

231

Yes

232

233

3

234

235

Yes

236

237

4

238

239

Yes

240

241

5

242

243

Yes

244

245

If more hazardous components are present at greater than 1% by weight if non-carcinogenic, or 0.1% by weight if carcinogenic, attach additional sheets of paper capturing the required information.

ADDITIONAL LOCALLY COLLECTED INFORMATION 246

If EPCRA, Please Sign Here

**UNIFIED PROGRAM CONSOLIDATED FORM
HAZARDOUS MATERIALS
HAZARDOUS MATERIALS INVENTORY – CHEMICAL DESCRIPTION**

(one page per material per building or area)

ADD

DELETE

REVISE

200

Page ___ of ___

I. FACILITY INFORMATION

BUSINESS NAME (Same as FACILITY NAME or DBA – Doing Business As) 3

E & J Gallo Winery

CHEMICAL LOCATION 201

Gas cylinder storage area

CHEMICAL LOCATION CONFIDENTIAL EPCRA 202

YES

FACILITY ID #

F

A

0

0

0

0

1

0

5

1

MAP# (optional) 203

6

GRID# (optional) 204

II. CHEMICAL INFORMATION

CHEMICAL NAME 205

Nitrogen Gas

TRADE SECRET 206

Yes

If Subject to EPCRA, refer to instructions

COMMON NAME 207

Nitrogen/Compressed

EHS* 208

Yes

CAS# 209

7727-37-9

*If EHS is "Yes", all amounts below must be in lbs.

FIRE CODE HAZARD CLASSES (Complete if required by CUPA) 210

HAZARDOUS MATERIAL TYPE (Check one item only) 211

a. PURE b. MIXTURE c. WASTE

RADIOACTIVE Yes 212

CURIES 213

PHYSICAL STATE (Check one item only) 214

a. SOLID b. LIQUID c. GAS

LARGEST CONTAINER 215

165.0

FED HAZARD CATEGORIES (Check all that apply) 216

a. FIRE b. REACTIVE c. PRESSURE RELEASE d. ACUTE HEALTH e. CHRONIC HEALTH

AVERAGE DAILY AMOUNT 217

1500.0

MAXIMUM DAILY AMOUNT 218

3000.0

ANNUAL WASTE AMOUNT 219

STATE WASTE CODE 220

UNITS* 221

(Check one item only)

a. GALLONS b. CUBIC FEET c. POUNDS d. TONS

221

DAYS ON SITE: 222

365.0

STORAGE CONTAINER

a. ABOVE GROUND TANK e. PLASTIC/NONMETALLIC DRUM i. FIBER DRUM m. GLASS BOTTLE q. RAIL CAR
 b. UNDERGROUND TANK f. CAN j. BAG n. PLASTIC BOTTLE r. OTHER
 c. TANK INSIDE BUILDING g. CARBOY k. BOX o. TOTE BIN
 d. STEEL DRUM h. SILO l. CYLINDER p. TANK WAGON

223

STORAGE PRESSURE

a. AMBIENT b. ABOVE AMBIENT c. BELOW AMBIENT

224

STORAGE TEMPERATURE

a. AMBIENT b. ABOVE AMBIENT c. BELOW AMBIENT d. CRYOGENIC

225

%WT

HAZARDOUS COMPONENT (For mixture or waste only)

EHS

CAS #

1

226

227

Yes

228

229

2

230

231

Yes

232

233

3

234

235

Yes

236

237

4

238

239

Yes

240

241

5

242

243

Yes

244

245

If more hazardous components are present at greater than 1% by weight if non-carcinogenic, or 0.1% by weight if carcinogenic, attach additional sheets of paper capturing the required information.

ADDITIONAL LOCALLY COLLECTED INFORMATION 246

If EPCRA, Please Sign Here

**UNIFIED PROGRAM CONSOLIDATED FORM
HAZARDOUS MATERIALS
HAZARDOUS MATERIALS INVENTORY – CHEMICAL DESCRIPTION**

(one page per material per building or area)

ADD

DELETE

REVISE

200

Page ___ of ___

I. FACILITY INFORMATION

BUSINESS NAME (Same as FACILITY NAME or DBA – Doing Business As) 3

E & J Gallo Winery

CHEMICAL LOCATION 201

Bulk storage tank South of tank 3045

CHEMICAL LOCATION CONFIDENTIAL EPCRA 202

YES

FACILITY ID #

F A 0 0 0 0 1 0 5

MAP# (optional) 203

2,6

GRID# (optional) 204

II. CHEMICAL INFORMATION

CHEMICAL NAME 205

Nitrogen

TRADE SECRET Yes 206

If Subject to EPCRA, refer to instructions

COMMON NAME 207

Nitrogen (Liquid)

EHS* Yes 208

CAS# 209

3727-37-9

*If EHS is "Yes", all amounts below must be in lbs.

FIRE CODE HAZARD CLASSES (Complete if required by CUPA) 210

HAZARDOUS MATERIAL TYPE (Check one item only) 211

a. PURE b. MIXTURE c. WASTE

RADIOACTIVE Yes 212

CURIES 213

PHYSICAL STATE (Check one item only) 214

a. SOLID b. LIQUID c. GAS

LARGEST CONTAINER 215

11000.0

FED HAZARD CATEGORIES (Check all that apply) 216

a. FIRE b. REACTIVE c. PRESSURE RELEASE d. ACUTE HEALTH e. CHRONIC HEALTH

AVERAGE DAILY AMOUNT 217

8000.0

MAXIMUM DAILY AMOUNT 218

16000.0

ANNUAL WASTE AMOUNT 219

STATE WASTE CODE 220

UNITS* (Check one item only) 221

a. GALLONS b. CUBIC FEET c. POUNDS d. TONS
* If EHS, amount must be in pounds.

DAYS ON SITE: 222

365.0

STORAGE CONTAINER

a. ABOVE GROUND TANK e. PLASTIC/NONMETALLIC DRUM i. FIBER DRUM m. GLASS BOTTLE q. RAIL CAR
 b. UNDERGROUND TANK f. CAN j. BAG n. PLASTIC BOTTLE r. OTHER
 c. TANK INSIDE BUILDING g. CARBOY k. BOX o. TOTE BIN
 d. STEEL DRUM h. SILO l. CYLINDER p. TANK WAGON

STORAGE PRESSURE 224

a. AMBIENT b. ABOVE AMBIENT c. BELOW AMBIENT

STORAGE TEMPERATURE 225

a. AMBIENT b. ABOVE AMBIENT c. BELOW AMBIENT d. CRYOGENIC

%WT

HAZARDOUS COMPONENT (For mixture or waste only)

EHS

CAS #

1

226

227

Yes

228

229

2

230

231

Yes

232

233

3

234

235

Yes

236

237

4

238

239

Yes

240

241

5

242

243

Yes

244

245

If more hazardous components are present at greater than 1% by weight if non-carcinogenic, or 0.1% by weight if carcinogenic, attach additional sheets of paper capturing the required information.

ADDITIONAL LOCALLY COLLECTED INFORMATION 246

If EPCRA, Please Sign Here

**UNIFIED PROGRAM CONSOLIDATED FORM
HAZARDOUS MATERIALS
HAZARDOUS MATERIALS INVENTORY – CHEMICAL DESCRIPTION**

(one page per material per building or area)

ADD

DELETE

REVISE

200

Page ___ of ___

I. FACILITY INFORMATION

BUSINESS NAME (Same as FACILITY NAME or DBA – Doing Business As) 3

E & J Gallo Winery

CHEMICAL LOCATION 201

Lubricant storage area by gate #12

CHEMICAL LOCATION CONFIDENTIAL EPCRA 202

YES

FACILITY ID #

F

A

0

0

0

0

1

0

5

MAP# (optional) 203

GRID# (optional) 204

II. CHEMICAL INFORMATION

CHEMICAL NAME 205

petroleum hydrocarbons

TRADE SECRET 206

Yes

If Subject to EPCRA, refer to instructions

COMMON NAME 207

Oil (Lubricating)

EHS* 208

Yes

CAS# 209

*If EHS is "Yes", all amounts below must be in lbs.

FIRE CODE HAZARD CLASSES (Complete if required by CUPA) 210

HAZARDOUS MATERIAL TYPE (Check one item only) 211

a. PURE b. MIXTURE c. WASTE

RADIOACTIVE Yes 212

CURIES 213

PHYSICAL STATE (Check one item only) 214

a. SOLID b. LIQUID c. GAS

LARGEST CONTAINER 215

55.0

FED HAZARD CATEGORIES (Check all that apply) 216

a. FIRE b. REACTIVE c. PRESSURE RELEASE d. ACUTE HEALTH e. CHRONIC HEALTH

AVERAGE DAILY AMOUNT 217

1000.0

MAXIMUM DAILY AMOUNT 218

2000.0

ANNUAL WASTE AMOUNT 219

STATE WASTE CODE 220

UNITS* (Check one item only) 221

a. GALLONS b. CUBIC FEET c. POUNDS d. TONS
* If EHS, amount must be in pounds.

DAYS ON SITE: 222

365.0

STORAGE CONTAINER

a. ABOVE GROUND TANK e. PLASTIC/NONMETALLIC DRUM i. FIBER DRUM m. GLASS BOTTLE q. RAIL CAR
 b. UNDERGROUND TANK f. CAN j. BAG n. PLASTIC BOTTLE r. OTHER
 c. TANK INSIDE BUILDING g. CARBOY k. BOX o. TOTE BIN
 d. STEEL DRUM h. SILO l. CYLINDER p. TANK WAGON

STORAGE PRESSURE 224

a. AMBIENT b. ABOVE AMBIENT c. BELOW AMBIENT

STORAGE TEMPERATURE 225

a. AMBIENT b. ABOVE AMBIENT c. BELOW AMBIENT d. CRYOGENIC

%WT

HAZARDOUS COMPONENT (For mixture or waste only)

EHS

CAS #

1

226

227

Yes

228

229

2

230

231

Yes

232

233

3

234

235

Yes

236

237

4

238

239

Yes

240

241

5

242

243

Yes

244

245

If more hazardous components are present at greater than 1% by weight if non-carcinogenic, or 0.1% by weight if carcinogenic, attach additional sheets of paper capturing the required information.

ADDITIONAL LOCALLY COLLECTED INFORMATION 246

If EPCRA, Please Sign Here

**UNIFIED PROGRAM CONSOLIDATED FORM
HAZARDOUS MATERIALS
HAZARDOUS MATERIALS INVENTORY – CHEMICAL DESCRIPTION**

(one page per material per building or area)

ADD

DELETE

REVISE

200

Page ___ of ___

I. FACILITY INFORMATION

BUSINESS NAME (Same as FACILITY NAME or DBA – Doing Business As) 3

E & J Gallo Winery

CHEMICAL LOCATION 201

paint equipment storage area

CHEMICAL LOCATION CONFIDENTIAL EPCRA 202

YES

FACILITY ID #

F

A

0

0

0

0

1

0

5

MAP# (optional) 203

1,5,7,9

GRID# (optional) 204

II. CHEMICAL INFORMATION

CHEMICAL NAME 205

LPG

TRADE SECRET Yes 206

If Subject to EPCRA, refer to instructions

COMMON NAME 207

Propane

EHS* Yes 208

CAS# 209

78-98-6

*If EHS is "Yes", all amounts below must be in lbs.

FIRE CODE HAZARD CLASSES (Complete if required by CUPA) 210

HAZARDOUS MATERIAL TYPE (Check one item only) 211

a. PURE b. MIXTURE c. WASTE

RADIOACTIVE Yes 212

CURIES 213

PHYSICAL STATE (Check one item only) 214

a. SOLID b. LIQUID c. GAS

LARGEST CONTAINER 215

2000.0

FED HAZARD CATEGORIES (Check all that apply) 216

a. FIRE b. REACTIVE c. PRESSURE RELEASE d. ACUTE HEALTH e. CHRONIC HEALTH

AVERAGE DAILY AMOUNT 217

1500.0

MAXIMUM DAILY AMOUNT 218

3500.0

ANNUAL WASTE AMOUNT 219

STATE WASTE CODE 220

UNITS* 221

(Check one item only)

a. GALLONS b. CUBIC FEET c. POUNDS d. TONS
* If EHS, amount must be in pounds.

DAYS ON SITE: 222

365.0

STORAGE CONTAINER

a. ABOVE GROUND TANK e. PLASTIC/NONMETALLIC DRUM i. FIBER DRUM m. GLASS BOTTLE q. RAIL CAR
 b. UNDERGROUND TANK f. CAN j. BAG n. PLASTIC BOTTLE r. OTHER
 c. TANK INSIDE BUILDING g. CARBOY k. BOX o. TOTE BIN
 d. STEEL DRUM h. SILO l. CYLINDER p. TANK WAGON

STORAGE PRESSURE 224

a. AMBIENT b. ABOVE AMBIENT c. BELOW AMBIENT

STORAGE TEMPERATURE 225

a. AMBIENT b. ABOVE AMBIENT c. BELOW AMBIENT d. CRYOGENIC

%WT

HAZARDOUS COMPONENT (For mixture or waste only)

EHS

CAS #

1

226

227

Yes

228

229

2

230

231

Yes

232

233

3

234

235

Yes

236

237

4

238

239

Yes

240

241

5

242

243

Yes

244

245

If more hazardous components are present at greater than 1% by weight if non-carcinogenic, or 0.1% by weight if carcinogenic, attach additional sheets of paper capturing the required information.

ADDITIONAL LOCALLY COLLECTED INFORMATION 246

If EPCRA, Please Sign Here

**UNIFIED PROGRAM CONSOLIDATED FORM
HAZARDOUS MATERIALS
HAZARDOUS MATERIALS INVENTORY – CHEMICAL DESCRIPTION**

(one page per material per building or area)

ADD

DELETE

REVISE

200

Page ___ of ___

I. FACILITY INFORMATION

BUSINESS NAME (Same as FACILITY NAME or DBA – Doing Business As) 3

E & J Gallo Winery

CHEMICAL LOCATION 201

Gas cylinder storage area

CHEMICAL LOCATION CONFIDENTIAL EPCRA 202

YES

FACILITY ID #

F A 0 0 0 0 1 0 5

MAP# (optional) 203

6

GRID# (optional) 204

II. CHEMICAL INFORMATION

CHEMICAL NAME 205

Oxygen

TRADE SECRET 206

Yes

If Subject to EPCRA, refer to instructions

COMMON NAME 207

Oxygen/Compressed

EHS* 208

Yes

CAS# 209

7782-44-7

*If EHS is "Yes", all amounts below must be in lbs.

FIRE CODE HAZARD CLASSES (Complete if required by CUPA) 210

HAZARDOUS MATERIAL TYPE (Check one item only) 211

a. PURE b. MIXTURE c. WASTE

RADIOACTIVE Yes 212

CURIES 213

PHYSICAL STATE (Check one item only) 214

a. SOLID b. LIQUID c. GAS

LARGEST CONTAINER 215

249.0

FED HAZARD CATEGORIES (Check all that apply) 216

a. FIRE b. REACTIVE c. PRESSURE RELEASE d. ACUTE HEALTH e. CHRONIC HEALTH

AVERAGE DAILY AMOUNT 217

1100.0

MAXIMUM DAILY AMOUNT 218

2250.0

ANNUAL WASTE AMOUNT 219

STATE WASTE CODE 220

UNITS* 221

(Check one item only)

a. GALLONS b. CUBIC FEET c. POUNDS d. TONS

* If EHS, amount must be in pounds.

DAYS ON SITE: 222

365.0

STORAGE CONTAINER

a. ABOVE GROUND TANK e. PLASTIC/NONMETALLIC DRUM i. FIBER DRUM m. GLASS BOTTLE q. RAIL CAR
 b. UNDERGROUND TANK f. CAN j. BAG n. PLASTIC BOTTLE r. OTHER
 c. TANK INSIDE BUILDING g. CARBOY k. BOX o. TOTE BIN
 d. STEEL DRUM h. SILO l. CYLINDER p. TANK WAGON

STORAGE PRESSURE 224

a. AMBIENT b. ABOVE AMBIENT c. BELOW AMBIENT

STORAGE TEMPERATURE 225

a. AMBIENT b. ABOVE AMBIENT c. BELOW AMBIENT d. CRYOGENIC

%WT

HAZARDOUS COMPONENT (For mixture or waste only)

EHS

CAS #

1

226

227

Yes 228

229

2

230

231

Yes 232

233

3

234

235

Yes 236

237

4

238

239

Yes 240

241

5

242

243

Yes 244

245

If more hazardous components are present at greater than 1% by weight if non-carcinogenic, or 0.1% by weight if carcinogenic, attach additional sheets of paper capturing the required information.

ADDITIONAL LOCALLY COLLECTED INFORMATION 246

If EPCRA, Please Sign Here

**UNIFIED PROGRAM CONSOLIDATED FORM
HAZARDOUS MATERIALS
HAZARDOUS MATERIALS INVENTORY – CHEMICAL DESCRIPTION**

(one page per material per building or area)

ADD

DELETE

REVISE

200

Page ___ of ___

I. FACILITY INFORMATION

BUSINESS NAME (Same as FACILITY NAME or DBA – Doing Business As) 3

E & J Gallo Winery

CHEMICAL LOCATION 201

paint storage area

CHEMICAL LOCATION CONFIDENTIAL EPCRA 202

YES

FACILITY ID #

F A 0 0 0 0 1 0 5

MAP# (optional) 203

9

GRID# (optional) 204

II. CHEMICAL INFORMATION

CHEMICAL NAME 205

Toluene

TRADE SECRET 206

Yes

If Subject to EPCRA, refer to instructions

COMMON NAME 207

Toluene

EHS* 208

Yes

CAS# 209

108-88-3

*If EHS is "Yes", all amounts below must be in lbs.

FIRE CODE HAZARD CLASSES (Complete if required by CUPA) 210

HAZARDOUS MATERIAL TYPE (Check one item only) 211

a. PURE b. MIXTURE c. WASTE

RADIOACTIVE Yes 212

CURIES 213

PHYSICAL STATE (Check one item only) 214

a. SOLID b. LIQUID c. GAS

LARGEST CONTAINER 215

55.0

FED HAZARD CATEGORIES (Check all that apply) 216

a. FIRE b. REACTIVE c. PRESSURE RELEASE d. ACUTE HEALTH e. CHRONIC HEALTH

AVERAGE DAILY AMOUNT 217

55.0

MAXIMUM DAILY AMOUNT 218

110.0

ANNUAL WASTE AMOUNT 219

STATE WASTE CODE 220

UNITS* 221

(Check one item only)

a. GALLONS b. CUBIC FEET c. POUNDS d. TONS

* If EHS, amount must be in pounds.

DAYS ON SITE: 222

365.0

STORAGE CONTAINER

a. ABOVE GROUND TANK e. PLASTIC/NONMETALLIC DRUM i. FIBER DRUM m. GLASS BOTTLE q. RAIL CAR
 b. UNDERGROUND TANK f. CAN j. BAG n. PLASTIC BOTTLE r. OTHER
 c. TANK INSIDE BUILDING g. CARBOY k. BOX o. TOTE BIN
 d. STEEL DRUM h. SILO l. CYLINDER p. TANK WAGON

STORAGE PRESSURE 224

a. AMBIENT b. ABOVE AMBIENT c. BELOW AMBIENT

STORAGE TEMPERATURE 225

a. AMBIENT b. ABOVE AMBIENT c. BELOW AMBIENT d. CRYOGENIC

%WT

HAZARDOUS COMPONENT (For mixture or waste only)

EHS

CAS #

1

226

227

Yes

228

229

2

230

231

Yes

232

233

3

234

235

Yes

236

237

4

238

239

Yes

240

241

5

242

243

Yes

244

245

If more hazardous components are present at greater than 1% by weight if non-carcinogenic, or 0.1% by weight if carcinogenic, attach additional sheets of paper capturing the required information.

ADDITIONAL LOCALLY COLLECTED INFORMATION 246

If EPCRA, Please Sign Here

**UNIFIED PROGRAM CONSOLIDATED FORM
HAZARDOUS MATERIALS
HAZARDOUS MATERIALS INVENTORY – CHEMICAL DESCRIPTION**

(one page per material per building or area)

ADD

DELETE

REVISE

200

Page ___ of ___

I. FACILITY INFORMATION

BUSINESS NAME (Same as FACILITY NAME or DBA – Doing Business As) 3

E & J Gallo Winery

CHEMICAL LOCATION 201

Gas cylinder storage area

CHEMICAL LOCATION CONFIDENTIAL EPCRA 202

YES

FACILITY ID #

F A 0 0 0 0 1 0 5

MAP# (optional) 203

GRID# (optional) 204

II. CHEMICAL INFORMATION

CHEMICAL NAME 205

Inert Gas Mixture

TRADE SECRET Yes 206

If Subject to EPCRA, refer to instructions

COMMON NAME 207

TriMix/Compressed

EHS* Yes 208

CAS# 209

7440-59-7

*If EHS is "Yes", all amounts below must be in lbs.

FIRE CODE HAZARD CLASSES (Complete if required by CUPA) 210

HAZARDOUS MATERIAL TYPE (Check one item only) 211

a. PURE b. MIXTURE c. WASTE

RADIOACTIVE Yes 212

CURIES 213

PHYSICAL STATE (Check one item only) 214

a. SOLID b. LIQUID c. GAS

LARGEST CONTAINER 215.0

FED HAZARD CATEGORIES (Check all that apply) 216

a. FIRE b. REACTIVE c. PRESSURE RELEASE d. ACUTE HEALTH e. CHRONIC HEALTH

AVERAGE DAILY AMOUNT 217

844.0

MAXIMUM DAILY AMOUNT 218

2110.0

ANNUAL WASTE AMOUNT 219

STATE WASTE CODE 220

UNITS* 221

(Check one item only)

a. GALLONS b. CUBIC FEET c. POUNDS d. TONS

221

DAYS ON SITE: 222

365.0

STORAGE CONTAINER

a. ABOVE GROUND TANK e. PLASTIC/NONMETALLIC DRUM i. FIBER DRUM m. GLASS BOTTLE q. RAIL CAR
 b. UNDERGROUND TANK f. CAN j. BAG n. PLASTIC BOTTLE r. OTHER
 c. TANK INSIDE BUILDING g. CARBOY k. BOX o. TOTE BIN
 d. STEEL DRUM h. SILO l. CYLINDER p. TANK WAGON

223

STORAGE PRESSURE

a. AMBIENT b. ABOVE AMBIENT c. BELOW AMBIENT

224

STORAGE TEMPERATURE

a. AMBIENT b. ABOVE AMBIENT c. BELOW AMBIENT d. CRYOGENIC

225

%WT

HAZARDOUS COMPONENT (For mixture or waste only)

EHS

CAS #

1 90.0 226

helium 227

Yes 228

7440-59-7 229

2 8.0 230

argon 231

Yes 232

7440-37-1 233

3 3.0 234

carbon dioxide (124-38-9) 235

Yes 236

124-38-9 237

4 238

239

Yes 240

241

5 242

243

Yes 244

245

If more hazardous components are present at greater than 1% by weight if non-carcinogenic, or 0.1% by weight if carcinogenic, attach additional sheets of paper capturing the required information.

ADDITIONAL LOCALLY COLLECTED INFORMATION 246

If EPCRA, Please Sign Here

**UNIFIED PROGRAM CONSOLIDATED FORM
HAZARDOUS MATERIALS
HAZARDOUS MATERIALS INVENTORY – CHEMICAL DESCRIPTION**

(one page per material per building or area)

ADD

DELETE

REVISE

200

Page ___ of ___

I. FACILITY INFORMATION

BUSINESS NAME (Same as FACILITY NAME or DBA – Doing Business As) 3

E & J Gallo Winery

CHEMICAL LOCATION 201

storeroom

CHEMICAL LOCATION CONFIDENTIAL EPCRA 202

YES

FACILITY ID #

F

A

0

0

0

0

1

0

5

1

MAP# (optional) 203

6

GRID# (optional) 204

II. CHEMICAL INFORMATION

CHEMICAL NAME 205

Xylene

TRADE SECRET Yes 206

If Subject to EPCRA, refer to instructions

COMMON NAME 207

Xylene

EHS* Yes 208

CAS# 209

64742-95-6

*If EHS is "Yes", all amounts below must be in lbs.

FIRE CODE HAZARD CLASSES (Complete if required by CUPA) 210

HAZARDOUS MATERIAL TYPE (Check one item only) 211

a. PURE

b. MIXTURE

c. WASTE

RADIOACTIVE Yes 212

CURIES 213

PHYSICAL STATE (Check one item only) 214

a. SOLID

b. LIQUID

c. GAS

LARGEST CONTAINER 215

55.0

FED HAZARD CATEGORIES (Check all that apply) 216

a. FIRE

b. REACTIVE

c. PRESSURE RELEASE

d. ACUTE HEALTH

e. CHRONIC HEALTH

AVERAGE DAILY AMOUNT 217

55.0

MAXIMUM DAILY AMOUNT 218

110.0

ANNUAL WASTE AMOUNT 219

STATE WASTE CODE 220

UNITS* 221

(Check one item only)

a. GALLONS

b. CUBIC FEET

c. POUNDS

d. TONS

221

DAYS ON SITE: 222

365.0

STORAGE CONTAINER

a. ABOVE GROUND TANK

e. PLASTIC/NONMETALLIC DRUM

i. FIBER DRUM

m. GLASS BOTTLE

q. RAIL CAR

b. UNDERGROUND TANK

f. CAN

j. BAG

n. PLASTIC BOTTLE

r. OTHER

c. TANK INSIDE BUILDING

g. CARBOY

k. BOX

o. TOTE BIN

d. STEEL DRUM

h. SILO

l. CYLINDER

p. TANK WAGON

223

STORAGE PRESSURE 224

a. AMBIENT

b. ABOVE AMBIENT

c. BELOW AMBIENT

STORAGE TEMPERATURE 225

a. AMBIENT

b. ABOVE AMBIENT

c. BELOW AMBIENT

d. CRYOGENIC

%WT

HAZARDOUS COMPONENT (For mixture or waste only)

EHS

CAS #

1 80.0 226

xylene 227

Yes 228

1330-20-7 229

2 20.0 230

ethyl benzene 231

Yes 232

100-41-4 233

3 234

Yes 236

237

4 238

Yes 240

241

5 242

Yes 244

245

If more hazardous components are present at greater than 1% by weight if non-carcinogenic, or 0.1% by weight if carcinogenic, attach additional sheets of paper capturing the required information.

ADDITIONAL LOCALLY COLLECTED INFORMATION 246

If EPCRA, Please Sign Here

**UNIFIED PROGRAM CONSOLIDATED FORM
HAZARDOUS MATERIALS
HAZARDOUS MATERIALS INVENTORY – CHEMICAL DESCRIPTION**

(one page per material per building or area)

ADD

DELETE

REVISE

200

Page ___ of ___

I. FACILITY INFORMATION

BUSINESS NAME (Same as FACILITY NAME or DBA – Doing Business As) 3

E & J Gallo Winery

CHEMICAL LOCATION 201

Paint storage area

CHEMICAL LOCATION CONFIDENTIAL EPCRA 202

YES

FACILITY ID #

F A 0 0 0 0 1 0 5

MAP# (optional) 203

4

GRID# (optional) 204

II. CHEMICAL INFORMATION

CHEMICAL NAME 205

petroleum hydrocarbon

TRADE SECRET 206

Yes

If Subject to EPCRA, refer to instructions

COMMON NAME 207

Paint

EHS* 208

Yes

CAS# 209

*If EHS is "Yes", all amounts below must be in lbs.

FIRE CODE HAZARD CLASSES (Complete if required by CUPA) 210

HAZARDOUS MATERIAL TYPE (Check one item only) 211

a. PURE b. MIXTURE c. WASTE

RADIOACTIVE Yes 212

CURIES 213

PHYSICAL STATE (Check one item only) 214

a. SOLID b. LIQUID c. GAS

LARGEST CONTAINER 215

55.0

FED HAZARD CATEGORIES (Check all that apply) 216

a. FIRE b. REACTIVE c. PRESSURE RELEASE d. ACUTE HEALTH e. CHRONIC HEALTH

AVERAGE DAILY AMOUNT 217

220.0

MAXIMUM DAILY AMOUNT 218

1500.0

ANNUAL WASTE AMOUNT 219

STATE WASTE CODE 220

UNITS* 221

(Check one item only)

a. GALLONS b. CUBIC FEET c. POUNDS d. TONS
* If EHS, amount must be in pounds.

DAYS ON SITE: 222

365.0

STORAGE CONTAINER 223

a. ABOVE GROUND TANK e. PLASTIC/NONMETALLIC DRUM i. FIBER DRUM m. GLASS BOTTLE q. RAIL CAR
 b. UNDERGROUND TANK f. CAN j. BAG n. PLASTIC BOTTLE r. OTHER
 c. TANK INSIDE BUILDING g. CARBOY k. BOX o. TOTE BIN
 d. STEEL DRUM h. SILO l. CYLINDER p. TANK WAGON

STORAGE PRESSURE 224

a. AMBIENT b. ABOVE AMBIENT c. BELOW AMBIENT

STORAGE TEMPERATURE 225

a. AMBIENT b. ABOVE AMBIENT c. BELOW AMBIENT d. CRYOGENIC

%WT

HAZARDOUS COMPONENT (For mixture or waste only)

EHS

CAS #

1

226

227

Yes 228

229

2

230

231

Yes 232

233

3

234

235

Yes 236

237

4

238

239

Yes 240

241

5

242

243

Yes 244

245

If more hazardous components are present at greater than 1% by weight if non-carcinogenic, or 0.1% by weight if carcinogenic, attach additional sheets of paper capturing the required information.

ADDITIONAL LOCALLY COLLECTED INFORMATION 246

If EPCRA, Please Sign Here

**UNIFIED PROGRAM CONSOLIDATED FORM
HAZARDOUS MATERIALS
HAZARDOUS MATERIALS INVENTORY – CHEMICAL DESCRIPTION**

(one page per material per building or area)

ADD

DELETE

REVISE

200

Page ___ of ___

I. FACILITY INFORMATION

BUSINESS NAME (Same as FACILITY NAME or DBA – Doing Business As) 3

E & J Gallo Winery

CHEMICAL LOCATION 201

lubricant storage area

CHEMICAL LOCATION CONFIDENTIAL EPCRA 202

YES

FACILITY ID #

F

A

0

0

0

0

1

0

5

MAP# (optional) 203

4

GRID# (optional) 204

II. CHEMICAL INFORMATION

CHEMICAL NAME 205

petroleum hydrocarbon

TRADE SECRET Yes 206

If Subject to EPCRA, refer to instructions

COMMON NAME 207

Waste Oil, Mixed Petroleum Oil

EHS* Yes 208

CAS# 209

*If EHS is "Yes", all amounts below must be in lbs.

FIRE CODE HAZARD CLASSES (Complete if required by CUPA) 210

HAZARDOUS MATERIAL TYPE (Check one item only) 211

a. PURE

b. MIXTURE

c. WASTE

RADIOACTIVE Yes 212

CURIES 213

PHYSICAL STATE (Check one item only) 214

a. SOLID

b. LIQUID

c. GAS

LARGEST CONTAINER 215

55.0

FED HAZARD CATEGORIES (Check all that apply) 216

a. FIRE

b. REACTIVE

c. PRESSURE RELEASE

d. ACUTE HEALTH

e. CHRONIC HEALTH

AVERAGE DAILY AMOUNT 217

550.0

MAXIMUM DAILY AMOUNT 218

2000.0

ANNUAL WASTE AMOUNT 219

STATE WASTE CODE 220

UNITS* 221

(Check one item only)

a. GALLONS

b. CUBIC FEET

c. POUNDS

d. TONS

* If EHS, amount must be in pounds.

DAYS ON SITE: 222

365.0

STORAGE CONTAINER

a. ABOVE GROUND TANK

b. UNDERGROUND TANK

c. TANK INSIDE BUILDING

d. STEEL DRUM

e. PLASTIC/NONMETALLIC DRUM

f. CAN

g. CARBOY

h. SILO

i. FIBER DRUM

j. BAG

k. BOX

l. CYLINDER

m. GLASS BOTTLE

n. PLASTIC BOTTLE

o. TOTE BIN

p. TANK WAGON

q. RAIL CAR

r. OTHER

STORAGE PRESSURE 224

a. AMBIENT

b. ABOVE AMBIENT

c. BELOW AMBIENT

STORAGE TEMPERATURE 225

a. AMBIENT

b. ABOVE AMBIENT

c. BELOW AMBIENT

d. CRYOGENIC

%WT

HAZARDOUS COMPONENT (For mixture or waste only)

EHS

CAS #

1

226

227

Yes

228

229

2

230

231

Yes

232

233

3

234

235

Yes

236

237

4

238

239

Yes

240

241

5

242

243

Yes

244

245

If more hazardous components are present at greater than 1% by weight if non-carcinogenic, or 0.1% by weight if carcinogenic, attach additional sheets of paper capturing the required information.

ADDITIONAL LOCALLY COLLECTED INFORMATION 246

If EPCRA, Please Sign Here

**UNIFIED PROGRAM CONSOLIDATED FORM
HAZARDOUS MATERIALS
HAZARDOUS MATERIALS INVENTORY – CHEMICAL DESCRIPTION**

(one page per material per building or area)

ADD

DELETE

REVISE

200

Page ___ of ___

I. FACILITY INFORMATION

BUSINESS NAME (Same as FACILITY NAME or DBA – Doing Business As) 3

E & J Gallo Winery

CHEMICAL LOCATION 201

storage vessels

CHEMICAL LOCATION CONFIDENTIAL EPCRA 202

YES

FACILITY ID #

F

A

0

0

0

0

1

0

5

MAP# (optional) 203

GRID# (optional) 204

II. CHEMICAL INFORMATION

CHEMICAL NAME 205

Ethyl Alcohol

TRADE SECRET Yes 206

If Subject to EPCRA, refer to instructions

COMMON NAME 207

Beverage Alcohol

EHS* Yes 208

CAS# 209

64-17-5

*If EHS is "Yes", all amounts below must be in lbs.

FIRE CODE HAZARD CLASSES (Complete if required by CUPA) 210

HAZARDOUS MATERIAL TYPE (Check one item only) 211

a. PURE b. MIXTURE c. WASTE

RADIOACTIVE Yes 212

CURIES 213

PHYSICAL STATE (Check one item only) 214

a. SOLID b. LIQUID c. GAS

LARGEST CONTAINER 215

650000.0

FED HAZARD CATEGORIES (Check all that apply) 216

a. FIRE b. REACTIVE c. PRESSURE RELEASE d. ACUTE HEALTH e. CHRONIC HEALTH

AVERAGE DAILY AMOUNT 217

1500000.0

MAXIMUM DAILY AMOUNT 218

2.0E7

ANNUAL WASTE AMOUNT 219

STATE WASTE CODE 220

UNITS* 221

(Check one item only)

a. GALLONS b. CUBIC FEET c. POUNDS d. TONS
* If EHS, amount must be in pounds.

DAYS ON SITE: 222

365.0

STORAGE CONTAINER 223

a. ABOVE GROUND TANK e. PLASTIC/NONMETALLIC DRUM i. FIBER DRUM m. GLASS BOTTLE q. RAIL CAR
 b. UNDERGROUND TANK f. CAN j. BAG n. PLASTIC BOTTLE r. OTHER
 c. TANK INSIDE BUILDING g. CARBOY k. BOX o. TOTE BIN
 d. STEEL DRUM h. SILO l. CYLINDER p. TANK WAGON

STORAGE PRESSURE 224

a. AMBIENT b. ABOVE AMBIENT c. BELOW AMBIENT

STORAGE TEMPERATURE 225

a. AMBIENT b. ABOVE AMBIENT c. BELOW AMBIENT d. CRYOGENIC

%WT

HAZARDOUS COMPONENT (For mixture or waste only)

EHS

CAS #

1

226

ethyl alcohol

227

Yes 228

64-17-5 229

2

230

231

Yes 232

233

3

234

235

Yes 236

237

4

238

239

Yes 240

241

5

242

243

Yes 244

245

If more hazardous components are present at greater than 1% by weight if non-carcinogenic, or 0.1% by weight if carcinogenic, attach additional sheets of paper capturing the required information.

ADDITIONAL LOCALLY COLLECTED INFORMATION 246

If EPCRA, Please Sign Here

**UNIFIED PROGRAM CONSOLIDATED FORM
HAZARDOUS MATERIALS
HAZARDOUS MATERIALS INVENTORY – CHEMICAL DESCRIPTION**

(one page per material per building or area)

ADD

DELETE

REVISE

200

Page ___ of ___

I. FACILITY INFORMATION

BUSINESS NAME (Same as FACILITY NAME or DBA – Doing Business As) 3

E & J Gallo Winery

CHEMICAL LOCATION 201

storeroom

CHEMICAL LOCATION CONFIDENTIAL EPCRA 202

YES

FACILITY ID #

F

A

0

0

0

0

1

0

5

MAP# (optional) 203

GRID# (optional) 204

II. CHEMICAL INFORMATION

CHEMICAL NAME 205

Bromocide

TRADE SECRET Yes 206

If Subject to EPCRA, refer to instructions

COMMON NAME 207

Bromocide

EHS* Yes 208

CAS# 209

*If EHS is "Yes", all amounts below must be in lbs.

FIRE CODE HAZARD CLASSES (Complete if required by CUPA) 210

HAZARDOUS MATERIAL TYPE (Check one item only) 211

a. PURE b. MIXTURE c. WASTE

RADIOACTIVE Yes 212

CURIES 213

PHYSICAL STATE (Check one item only) 214

a. SOLID b. LIQUID c. GAS

LARGEST CONTAINER 215

50.0

FED HAZARD CATEGORIES (Check all that apply) 216

a. FIRE b. REACTIVE c. PRESSURE RELEASE d. ACUTE HEALTH e. CHRONIC HEALTH

AVERAGE DAILY AMOUNT 217

750.0

MAXIMUM DAILY AMOUNT 218

1500.0

ANNUAL WASTE AMOUNT 219

STATE WASTE CODE 220

UNITS* 221

(Check one item only)

a. GALLONS b. CUBIC FEET c. POUNDS d. TONS

* If EHS, amount must be in pounds.

DAYS ON SITE: 222

365.0

STORAGE CONTAINER

a. ABOVE GROUND TANK e. PLASTIC/NONMETALLIC DRUM i. FIBER DRUM m. GLASS BOTTLE q. RAIL CAR
 b. UNDERGROUND TANK f. CAN j. BAG n. PLASTIC BOTTLE r. OTHER
 c. TANK INSIDE BUILDING g. CARBOY k. BOX o. TOTE BIN
 d. STEEL DRUM h. SILO l. CYLINDER p. TANK WAGON pails

STORAGE PRESSURE 224

a. AMBIENT b. ABOVE AMBIENT c. BELOW AMBIENT

STORAGE TEMPERATURE 225

a. AMBIENT b. ABOVE AMBIENT c. BELOW AMBIENT d. CRYOGENIC

%WT

HAZARDOUS COMPONENT (For mixture or waste only)

EHS

CAS #

1

226

227

Yes 228

229

2

230

231

Yes 232

233

3

234

235

Yes 236

237

4

238

239

Yes 240

241

5

242

243

Yes 244

245

If more hazardous components are present at greater than 1% by weight if non-carcinogenic, or 0.1% by weight if carcinogenic, attach additional sheets of paper capturing the required information.

ADDITIONAL LOCALLY COLLECTED INFORMATION 246

If EPCRA, Please Sign Here

**UNIFIED PROGRAM CONSOLIDATED FORM
HAZARDOUS MATERIALS
HAZARDOUS MATERIALS INVENTORY – CHEMICAL DESCRIPTION**

(one page per material per building or area)

ADD

DELETE

REVISE

200

Page ___ of ___

I. FACILITY INFORMATION

BUSINESS NAME (Same as FACILITY NAME or DBA – Doing Business As) 3

E & J Gallo Winery

CHEMICAL LOCATION 201

Lubricant storage area

CHEMICAL LOCATION CONFIDENTIAL EPCRA 202

YES

FACILITY ID #

F A 0 0 0 0 1 0 5

MAP# (optional) 203

4

GRID# (optional) 204

II. CHEMICAL INFORMATION

CHEMICAL NAME 205

Waste Solvents

TRADE SECRET 206

Yes

If Subject to EPCRA, refer to instructions

COMMON NAME 207

Waste Solvents

EHS* 208

Yes

CAS# 209

*If EHS is "Yes", all amounts below must be in lbs.

FIRE CODE HAZARD CLASSES (Complete if required by CUPA) 210

HAZARDOUS MATERIAL TYPE (Check one item only) 211

a. PURE b. MIXTURE c. WASTE

RADIOACTIVE Yes 212

CURIES 213

PHYSICAL STATE (Check one item only) 214

a. SOLID b. LIQUID c. GAS

LARGEST CONTAINER 215

55.0

FED HAZARD CATEGORIES (Check all that apply) 216

a. FIRE b. REACTIVE c. PRESSURE RELEASE d. ACUTE HEALTH e. CHRONIC HEALTH

AVERAGE DAILY AMOUNT 217

165.0

MAXIMUM DAILY AMOUNT 218

440.0

ANNUAL WASTE AMOUNT 219

STATE WASTE CODE 220

UNITS* 221

(Check one item only)

a. GALLONS b. CUBIC FEET c. POUNDS d. TONS

* If EHS, amount must be in pounds.

DAYS ON SITE: 222

365.0

STORAGE CONTAINER 223

a. ABOVE GROUND TANK e. PLASTIC/NONMETALLIC DRUM i. FIBER DRUM m. GLASS BOTTLE q. RAIL CAR
 b. UNDERGROUND TANK f. CAN j. BAG n. PLASTIC BOTTLE r. OTHER
 c. TANK INSIDE BUILDING g. CARBOY k. BOX o. TOTE BIN
 d. STEEL DRUM h. SILO l. CYLINDER p. TANK WAGON

STORAGE PRESSURE 224

a. AMBIENT b. ABOVE AMBIENT c. BELOW AMBIENT

STORAGE TEMPERATURE 225

a. AMBIENT b. ABOVE AMBIENT c. BELOW AMBIENT d. CRYOGENIC

%WT

HAZARDOUS COMPONENT (For mixture or waste only)

EHS

CAS #

1 0.0 226

227

Yes 228

229

2 230

231

Yes 232

233

3 234

235

Yes 236

237

4 238

239

Yes 240

241

5 242

243

Yes 244

245

If more hazardous components are present at greater than 1% by weight if non-carcinogenic, or 0.1% by weight if carcinogenic, attach additional sheets of paper capturing the required information.

ADDITIONAL LOCALLY COLLECTED INFORMATION 246

If EPCRA, Please Sign Here

**UNIFIED PROGRAM CONSOLIDATED FORM
HAZARDOUS MATERIALS
HAZARDOUS MATERIALS INVENTORY – CHEMICAL DESCRIPTION**

(one page per material per building or area)

ADD

DELETE

REVISE

200

Page ___ of ___

I. FACILITY INFORMATION

BUSINESS NAME (Same as FACILITY NAME or DBA – Doing Business As) 3

E & J Gallo Winery

CHEMICAL LOCATION 201

paint storage area

CHEMICAL LOCATION CONFIDENTIAL EPCRA 202

YES

FACILITY ID #

F A 0 0 0 0 1 0 5

MAP# (optional) 203

9

GRID# (optional) 204

II. CHEMICAL INFORMATION

CHEMICAL NAME 205

Petroleum hydrocarbon

TRADE SECRET 206

Yes

If Subject to EPCRA, refer to instructions

COMMON NAME 207

Lacquer Thinner/Reducer

EHS* 208

Yes

CAS# 209

*If EHS is "Yes", all amounts below must be in lbs.

FIRE CODE HAZARD CLASSES (Complete if required by CUPA) 210

HAZARDOUS MATERIAL TYPE (Check one item only) 211

a. PURE b. MIXTURE c. WASTE

RADIOACTIVE Yes 212

CURIES 213

PHYSICAL STATE (Check one item only) 214

a. SOLID b. LIQUID c. GAS

LARGEST CONTAINER 215

55.0

FED HAZARD CATEGORIES (Check all that apply) 216

a. FIRE b. REACTIVE c. PRESSURE RELEASE d. ACUTE HEALTH e. CHRONIC HEALTH

AVERAGE DAILY AMOUNT 217

55.0

MAXIMUM DAILY AMOUNT 218

110.0

ANNUAL WASTE AMOUNT 219

STATE WASTE CODE 220

UNITS* 221

(Check one item only)

a. GALLONS b. CUBIC FEET c. POUNDS d. TONS
* If EHS, amount must be in pounds.

DAYS ON SITE: 222

365.0

STORAGE CONTAINER 223

a. ABOVE GROUND TANK e. PLASTIC/NONMETALLIC DRUM i. FIBER DRUM m. GLASS BOTTLE q. RAIL CAR
 b. UNDERGROUND TANK f. CAN j. BAG n. PLASTIC BOTTLE r. OTHER
 c. TANK INSIDE BUILDING g. CARBOY k. BOX o. TOTE BIN
 d. STEEL DRUM h. SILO l. CYLINDER p. TANK WAGON

STORAGE PRESSURE 224

a. AMBIENT b. ABOVE AMBIENT c. BELOW AMBIENT

STORAGE TEMPERATURE 225

a. AMBIENT b. ABOVE AMBIENT c. BELOW AMBIENT d. CRYOGENIC

%WT

HAZARDOUS COMPONENT (For mixture or waste only)

EHS

CAS #

1

226

227

Yes

228

229

2

230

231

Yes

232

233

3

234

235

Yes

236

237

4

238

239

Yes

240

241

5

242

243

Yes

244

245

If more hazardous components are present at greater than 1% by weight if non-carcinogenic, or 0.1% by weight if carcinogenic, attach additional sheets of paper capturing the required information.

ADDITIONAL LOCALLY COLLECTED INFORMATION 246

If EPCRA, Please Sign Here

**UNIFIED PROGRAM CONSOLIDATED FORM
HAZARDOUS MATERIALS
HAZARDOUS MATERIALS INVENTORY – CHEMICAL DESCRIPTION**

(one page per material per building or area)

ADD

DELETE

REVISE

200

Page ___ of ___

I. FACILITY INFORMATION

BUSINESS NAME (Same as FACILITY NAME or DBA – Doing Business As) 3

E & J Gallo Winery

CHEMICAL LOCATION 201

various locations/yard area

CHEMICAL LOCATION CONFIDENTIAL EPCRA 202

YES

FACILITY ID #

F

A

0

0

0

0

1

0

5

MAP# (optional) 203

4,5,6,7

GRID# (optional) 204

II. CHEMICAL INFORMATION

CHEMICAL NAME 205

Sodium Chlorite

TRADE SECRET 206

Yes

If Subject to EPCRA, refer to instructions

COMMON NAME 207

Sodium Chlorite

EHS* 208

Yes

CAS# 209

7681-52-9

*If EHS is "Yes", all amounts below must be in lbs.

FIRE CODE HAZARD CLASSES (Complete if required by CUPA) 210

HAZARDOUS MATERIAL TYPE (Check one item only) 211

a. PURE b. MIXTURE c. WASTE

RADIOACTIVE Yes 212

CURIES 213

PHYSICAL STATE (Check one item only) 214

a. SOLID b. LIQUID c. GAS

LARGEST CONTAINER 215

350.0

FED HAZARD CATEGORIES (Check all that apply) 216

a. FIRE b. REACTIVE c. PRESSURE RELEASE d. ACUTE HEALTH e. CHRONIC HEALTH

AVERAGE DAILY AMOUNT 217

2000.0

MAXIMUM DAILY AMOUNT 218

2500.0

ANNUAL WASTE AMOUNT 219

STATE WASTE CODE 220

UNITS* 221

(Check one item only)

a. GALLONS b. CUBIC FEET c. POUNDS d. TONS

* If EHS, amount must be in pounds.

DAYS ON SITE: 222

365.0

STORAGE CONTAINER

a. ABOVE GROUND TANK e. PLASTIC/NONMETALLIC DRUM i. FIBER DRUM m. GLASS BOTTLE q. RAIL CAR
 b. UNDERGROUND TANK f. CAN j. BAG n. PLASTIC BOTTLE r. OTHER
 c. TANK INSIDE BUILDING g. CARBOY k. BOX o. TOTE BIN
 d. STEEL DRUM h. SILO l. CYLINDER p. TANK WAGON

STORAGE PRESSURE 224

a. AMBIENT b. ABOVE AMBIENT c. BELOW AMBIENT

STORAGE TEMPERATURE 225

a. AMBIENT b. ABOVE AMBIENT c. BELOW AMBIENT d. CRYOGENIC

%WT

HAZARDOUS COMPONENT (For mixture or waste only)

EHS

CAS #

1 7.5 226

Sodium Chlorite 227

Yes 228

7758-19-2 229

2 230

Yes 232

233

3 234

Yes 236

237

4 238

Yes 240

241

5 242

Yes 244

245

If more hazardous components are present at greater than 1% by weight if non-carcinogenic, or 0.1% by weight if carcinogenic, attach additional sheets of paper capturing the required information.

ADDITIONAL LOCALLY COLLECTED INFORMATION 246

If EPCRA, Please Sign Here

**UNIFIED PROGRAM CONSOLIDATED FORM
HAZARDOUS MATERIALS
HAZARDOUS MATERIALS INVENTORY – CHEMICAL DESCRIPTION**

(one page per material per building or area)

ADD

DELETE

REVISE

200

Page ___ of ___

I. FACILITY INFORMATION

BUSINESS NAME (Same as FACILITY NAME or DBA – Doing Business As) 3

E & J Gallo Winery

CHEMICAL LOCATION 201

East of Process Building

CHEMICAL LOCATION CONFIDENTIAL EPCRA 202

YES

FACILITY ID #

F A 0 0 0 0 1 0 5

MAP# (optional) 203

GRID# (optional) 204

II. CHEMICAL INFORMATION

CHEMICAL NAME 205

TRADE SECRET Yes 206

If Subject to EPCRA, refer to instructions

COMMON NAME 207

CIPTON VC11L XXX

EHS* Yes 208

CAS# 209

*If EHS is "Yes", all amounts below must be in lbs.

FIRE CODE HAZARD CLASSES (Complete if required by CUPA) 210

HAZARDOUS MATERIAL TYPE (Check one item only) 211

a. PURE b. MIXTURE c. WASTE

RADIOACTIVE Yes 212

CURIES 213

PHYSICAL STATE (Check one item only) 214

a. SOLID b. LIQUID c. GAS

LARGEST CONTAINER 4200.0 215

FED HAZARD CATEGORIES (Check all that apply) 216

a. FIRE b. REACTIVE c. PRESSURE RELEASE d. ACUTE HEALTH e. CHRONIC HEALTH

AVERAGE DAILY AMOUNT 217

2100.0

MAXIMUM DAILY AMOUNT 218

4200.0

ANNUAL WASTE AMOUNT 219

STATE WASTE CODE 220

UNITS* 221

(Check one item only)

a. GALLONS b. CUBIC FEET c. POUNDS d. TONS
* If EHS, amount must be in pounds.

DAYS ON SITE: 222

365.0

STORAGE CONTAINER 223

a. ABOVE GROUND TANK e. PLASTIC/NONMETALLIC DRUM i. FIBER DRUM m. GLASS BOTTLE q. RAIL CAR
 b. UNDERGROUND TANK f. CAN j. BAG n. PLASTIC BOTTLE r. OTHER
 c. TANK INSIDE BUILDING g. CARBOY k. BOX o. TOTE BIN
 d. STEEL DRUM h. SILO l. CYLINDER p. TANK WAGON

STORAGE PRESSURE 224

a. AMBIENT b. ABOVE AMBIENT c. BELOW AMBIENT

STORAGE TEMPERATURE 225

a. AMBIENT b. ABOVE AMBIENT c. BELOW AMBIENT d. CRYOGENIC

%WT

HAZARDOUS COMPONENT (For mixture or waste only)

EHS

CAS #

1 15.0 226

potassium hydroxide 227

Yes 228

1310-58-3 229

2 15.0 230

sodium hydroxide 231

Yes 232

1310-73-2 233

3 234

Yes 236

237

4 238

Yes 240

241

5 242

Yes 244

245

If more hazardous components are present at greater than 1% by weight if non-carcinogenic, or 0.1% by weight if carcinogenic, attach additional sheets of paper capturing the required information.

ADDITIONAL LOCALLY COLLECTED INFORMATION 246

If EPCRA, Please Sign Here

**UNIFIED PROGRAM CONSOLIDATED FORM
HAZARDOUS MATERIALS
HAZARDOUS MATERIALS INVENTORY – CHEMICAL DESCRIPTION**

(one page per material per building or area)

ADD

DELETE

REVISE

200

Page ___ of ___

I. FACILITY INFORMATION

BUSINESS NAME (Same as FACILITY NAME or DBA – Doing Business As) 3

E & J Gallo Winery

CHEMICAL LOCATION 201

lubricant storage shed by gate#12

CHEMICAL LOCATION CONFIDENTIAL EPCRA 202

YES

FACILITY ID #

F A 0 0 0 0 1 0 5

MAP# (optional) 203

GRID# (optional) 204

II. CHEMICAL INFORMATION

CHEMICAL NAME 205

Stoddard Solvent

TRADE SECRET 206

Yes

If Subject to EPCRA, refer to instructions

COMMON NAME 207

Chevron Stoddard Solvent

EHS* 208

Yes

CAS# 209

8052-41-3

*If EHS is "Yes", all amounts below must be in lbs.

FIRE CODE HAZARD CLASSES (Complete if required by CUPA) 210

HAZARDOUS MATERIAL TYPE (Check one item only) 211

a. PURE b. MIXTURE c. WASTE

RADIOACTIVE Yes 212

CURIES 213

PHYSICAL STATE (Check one item only) 214

a. SOLID b. LIQUID c. GAS

LARGEST CONTAINER 215

55.0

FED HAZARD CATEGORIES (Check all that apply) 216

a. FIRE b. REACTIVE c. PRESSURE RELEASE d. ACUTE HEALTH e. CHRONIC HEALTH

AVERAGE DAILY AMOUNT 217

110.0

MAXIMUM DAILY AMOUNT 218

165.0

ANNUAL WASTE AMOUNT 219

STATE WASTE CODE 220

UNITS* 221

(Check one item only)

a. GALLONS b. CUBIC FEET c. POUNDS d. TONS
* If EHS, amount must be in pounds.

DAYS ON SITE: 222

365.0

STORAGE CONTAINER 223

a. ABOVE GROUND TANK e. PLASTIC/NONMETALLIC DRUM i. FIBER DRUM m. GLASS BOTTLE q. RAIL CAR
 b. UNDERGROUND TANK f. CAN j. BAG n. PLASTIC BOTTLE r. OTHER
 c. TANK INSIDE BUILDING g. CARBOY k. BOX o. TOTE BIN
 d. STEEL DRUM h. SILO l. CYLINDER p. TANK WAGON

STORAGE PRESSURE 224

a. AMBIENT b. ABOVE AMBIENT c. BELOW AMBIENT

STORAGE TEMPERATURE 225

a. AMBIENT b. ABOVE AMBIENT c. BELOW AMBIENT d. CRYOGENIC

%WT

HAZARDOUS COMPONENT (For mixture or waste only)

EHS

CAS #

1

226

227

Yes

228

229

2

230

231

Yes

232

233

3

234

235

Yes

236

237

4

238

239

Yes

240

241

5

242

243

Yes

244

245

If more hazardous components are present at greater than 1% by weight if non-carcinogenic, or 0.1% by weight if carcinogenic, attach additional sheets of paper capturing the required information.

ADDITIONAL LOCALLY COLLECTED INFORMATION 246

If EPCRA, Please Sign Here

**UNIFIED PROGRAM CONSOLIDATED FORM
HAZARDOUS MATERIALS
HAZARDOUS MATERIALS INVENTORY – CHEMICAL DESCRIPTION**

(one page per material per building or area)

ADD

DELETE

REVISE

200

Page ___ of ___

I. FACILITY INFORMATION

BUSINESS NAME (Same as FACILITY NAME or DBA – Doing Business As) 3

E & J Gallo Winery

CHEMICAL LOCATION 201

East of Process Building

CHEMICAL LOCATION CONFIDENTIAL EPCRA 202

YES

FACILITY ID #

F

A

0

0

0

0

1

0

5

MAP# (optional) 203

GRID# (optional) 204

II. CHEMICAL INFORMATION

CHEMICAL NAME 205

CIPTON VC11L

TRADE SECRET Yes 206

If Subject to EPCRA, refer to instructions

COMMON NAME 207

CIPTON VC11L

EHS* Yes 208

CAS# 209

*If EHS is "Yes", all amounts below must be in lbs.

FIRE CODE HAZARD CLASSES (Complete if required by CUPA) 210

HAZARDOUS MATERIAL TYPE (Check one item only) 211

a. PURE b. MIXTURE c. WASTE

RADIOACTIVE Yes 212

CURIES 213

PHYSICAL STATE (Check one item only) 214

a. SOLID b. LIQUID c. GAS

LARGEST CONTAINER 55.0 215

FED HAZARD CATEGORIES (Check all that apply) 216

a. FIRE b. REACTIVE c. PRESSURE RELEASE d. ACUTE HEALTH e. CHRONIC HEALTH

AVERAGE DAILY AMOUNT 217

110.0

MAXIMUM DAILY AMOUNT 218

220.0

ANNUAL WASTE AMOUNT 219

STATE WASTE CODE 220

UNITS* 221

(Check one item only)

a. GALLONS b. CUBIC FEET c. POUNDS d. TONS
* If EHS, amount must be in pounds.

DAYS ON SITE: 222

365.0

STORAGE CONTAINER

a. ABOVE GROUND TANK e. PLASTIC/NONMETALLIC DRUM i. FIBER DRUM m. GLASS BOTTLE q. RAIL CAR
 b. UNDERGROUND TANK f. CAN j. BAG n. PLASTIC BOTTLE r. OTHER
 c. TANK INSIDE BUILDING g. CARBOY k. BOX o. TOTE BIN
 d. STEEL DRUM h. SILO l. CYLINDER p. TANK WAGON 223

STORAGE PRESSURE 224

a. AMBIENT b. ABOVE AMBIENT c. BELOW AMBIENT

STORAGE TEMPERATURE 225

a. AMBIENT b. ABOVE AMBIENT c. BELOW AMBIENT d. CRYOGENIC

%WT

HAZARDOUS COMPONENT (For mixture or waste only)

EHS

CAS #

1 15.0 226

potassium hydroxide 227

Yes 228

1310-58-3 229

2 15.0 230

sodium hydroxide 231

Yes 232

1310-73-2 233

3 234

Yes 236

237

4 238

Yes 240

241

5 242

Yes 244

245

If more hazardous components are present at greater than 1% by weight if non-carcinogenic, or 0.1% by weight if carcinogenic, attach additional sheets of paper capturing the required information.

ADDITIONAL LOCALLY COLLECTED INFORMATION 246

If EPCRA, Please Sign Here

**UNIFIED PROGRAM CONSOLIDATED FORM
HAZARDOUS MATERIALS
HAZARDOUS MATERIALS INVENTORY – CHEMICAL DESCRIPTION**

(one page per material per building or area)

ADD

DELETE

REVISE

200

Page ___ of ___

I. FACILITY INFORMATION

BUSINESS NAME (Same as FACILITY NAME or DBA – Doing Business As) 3

E & J Gallo Winery

CHEMICAL LOCATION 201

W of tank 6041

CHEMICAL LOCATION CONFIDENTIAL EPCRA 202

YES

FACILITY ID #

F

A

0

0

0

0

1

0

5

1

MAP# (optional) 203

6

GRID# (optional) 204

II. CHEMICAL INFORMATION

CHEMICAL NAME 205

potassium hydroxide

TRADE SECRET 206

Yes

If Subject to EPCRA, refer to instructions

COMMON NAME 207

KOH, Liquid Potash

EHS* 208

Yes

CAS# 209

7732-18-5

*If EHS is "Yes", all amounts below must be in lbs.

FIRE CODE HAZARD CLASSES (Complete if required by CUPA) 210

HAZARDOUS MATERIAL TYPE (Check one item only) 211

a. PURE

b. MIXTURE

c. WASTE

RADIOACTIVE Yes 212

CURIES 213

PHYSICAL STATE (Check one item only) 214

a. SOLID

b. LIQUID

c. GAS

LARGEST CONTAINER 215

3000.0

FED HAZARD CATEGORIES (Check all that apply) 216

a. FIRE

b. REACTIVE

c. PRESSURE RELEASE

d. ACUTE HEALTH

e. CHRONIC HEALTH

AVERAGE DAILY AMOUNT 217

2000.0

MAXIMUM DAILY AMOUNT 218

3000.0

ANNUAL WASTE AMOUNT 219

STATE WASTE CODE 220

UNITS* 221

(Check one item only)

a. GALLONS

b. CUBIC FEET

c. POUNDS

d. TONS

* If EHS, amount must be in pounds.

DAYS ON SITE: 222

365.0

STORAGE CONTAINER 223

a. ABOVE GROUND TANK

b. UNDERGROUND TANK

c. TANK INSIDE BUILDING

d. STEEL DRUM

e. PLASTIC/NONMETALLIC DRUM

f. CAN

g. CARBOY

h. SILO

i. FIBER DRUM

j. BAG

k. BOX

l. CYLINDER

m. GLASS BOTTLE

n. PLASTIC BOTTLE

o. TOTE BIN

p. TANK WAGON

q. RAIL CAR

r. OTHER

STORAGE PRESSURE 224

a. AMBIENT

b. ABOVE AMBIENT

c. BELOW AMBIENT

STORAGE TEMPERATURE 225

a. AMBIENT

b. ABOVE AMBIENT

c. BELOW AMBIENT

d. CRYOGENIC

%WT

HAZARDOUS COMPONENT (For mixture or waste only)

EHS

CAS #

1

226

potassium hydroxide

227

Yes

228

1310-58-3

229

2

230

231

Yes

232

233

3

234

235

Yes

236

237

4

238

239

Yes

240

241

5

242

243

Yes

244

245

If more hazardous components are present at greater than 1% by weight if non-carcinogenic, or 0.1% by weight if carcinogenic, attach additional sheets of paper capturing the required information.

ADDITIONAL LOCALLY COLLECTED INFORMATION 246

If EPCRA, Please Sign Here

**UNIFIED PROGRAM CONSOLIDATED FORM
HAZARDOUS MATERIALS
HAZARDOUS MATERIALS INVENTORY – CHEMICAL DESCRIPTION**

(one page per material per building or area)

ADD

DELETE

REVISE

200

Page ___ of ___

I. FACILITY INFORMATION

BUSINESS NAME (Same as FACILITY NAME or DBA – Doing Business As) 3

E & J Gallo Winery

CHEMICAL LOCATION 201

various locations/yard area

CHEMICAL LOCATION CONFIDENTIAL EPCRA 202

YES

FACILITY ID #

F

A

0

0

0

0

1

0

5

MAP# (optional) 203

4,5,6,7,8

GRID# (optional) 204

II. CHEMICAL INFORMATION

CHEMICAL NAME 205

Chlorine Dioxide

TRADE SECRET 206

Yes

If Subject to EPCRA, refer to instructions

COMMON NAME 207

Chlorine Dioxide

EHS* 208

Yes

CAS# 209

10049-04-4

*If EHS is "Yes", all amounts below must be in lbs.

FIRE CODE HAZARD CLASSES (Complete if required by CUPA) 210

HAZARDOUS MATERIAL TYPE (Check one item only) 211

a. PURE b. MIXTURE c. WASTE

RADIOACTIVE Yes 212

CURIES 213

PHYSICAL STATE (Check one item only) 214

a. SOLID b. LIQUID c. GAS

LARGEST CONTAINER 215

40.0

FED HAZARD CATEGORIES (Check all that apply) 216

a. FIRE b. REACTIVE c. PRESSURE RELEASE d. ACUTE HEALTH e. CHRONIC HEALTH

AVERAGE DAILY AMOUNT 217

320.0

MAXIMUM DAILY AMOUNT 218

2000.0

ANNUAL WASTE AMOUNT 219

STATE WASTE CODE 220

UNITS* 221

(Check one item only)

a. GALLONS b. CUBIC FEET c. POUNDS d. TONS

221

DAYS ON SITE: 222

365.0

STORAGE CONTAINER 223

a. ABOVE GROUND TANK e. PLASTIC/NONMETALLIC DRUM i. FIBER DRUM m. GLASS BOTTLE q. RAIL CAR
 b. UNDERGROUND TANK f. CAN j. BAG n. PLASTIC BOTTLE r. OTHER
 c. TANK INSIDE BUILDING g. CARBOY k. BOX o. TOTE BIN
 d. STEEL DRUM h. SILO l. CYLINDER p. TANK WAGON

STORAGE PRESSURE 224

a. AMBIENT b. ABOVE AMBIENT c. BELOW AMBIENT

STORAGE TEMPERATURE 225

a. AMBIENT b. ABOVE AMBIENT c. BELOW AMBIENT d. CRYOGENIC

%WT

HAZARDOUS COMPONENT (For mixture or waste only)

EHS

CAS #

1 4.0 226

chlorine dioxide 227

Yes 228

10049-04-4 229

2 230

Yes 232

233

3 234

Yes 236

237

4 238

Yes 240

241

5 242

Yes 244

245

If more hazardous components are present at greater than 1% by weight if non-carcinogenic, or 0.1% by weight if carcinogenic, attach additional sheets of paper capturing the required information.

ADDITIONAL LOCALLY COLLECTED INFORMATION 246

If EPCRA, Please Sign Here

**UNIFIED PROGRAM CONSOLIDATED FORM
HAZARDOUS MATERIALS
HAZARDOUS MATERIALS INVENTORY – CHEMICAL DESCRIPTION**

(one page per material per building or area)

ADD

DELETE

REVISE

200

Page ___ of ___

I. FACILITY INFORMATION

BUSINESS NAME (Same as FACILITY NAME or DBA – Doing Business As) 3

E & J Gallo Winery

CHEMICAL LOCATION 201

barreled chemical storage area

CHEMICAL LOCATION CONFIDENTIAL EPCRA 202

YES

FACILITY ID #

F

A

0

0

0

0

1

0

5

1

MAP# (optional) 203

7

GRID# (optional) 204

II. CHEMICAL INFORMATION

CHEMICAL NAME 205

Triax III

TRADE SECRET 206

Yes

If Subject to EPCRA, refer to instructions

COMMON NAME 207

Hydrogen Peroxide

EHS* 208

Yes

CAS# 209

7722-84-1

*If EHS is "Yes", all amounts below must be in lbs.

FIRE CODE HAZARD CLASSES (Complete if required by CUPA) 210

HAZARDOUS MATERIAL TYPE (Check one item only) 211

a. PURE b. MIXTURE c. WASTE

RADIOACTIVE Yes 212

CURIES 213

PHYSICAL STATE (Check one item only) 214

a. SOLID b. LIQUID c. GAS

LARGEST CONTAINER 215

15.0

FED HAZARD CATEGORIES (Check all that apply) 216

a. FIRE b. REACTIVE c. PRESSURE RELEASE d. ACUTE HEALTH e. CHRONIC HEALTH

AVERAGE DAILY AMOUNT 217

150.0

MAXIMUM DAILY AMOUNT 218

600.0

ANNUAL WASTE AMOUNT 219

STATE WASTE CODE 220

UNITS* 221

(Check one item only)

a. GALLONS b. CUBIC FEET c. POUNDS d. TONS

* If EHS, amount must be in pounds.

DAYS ON SITE: 222

365.0

STORAGE CONTAINER 223

a. ABOVE GROUND TANK e. PLASTIC/NONMETALLIC DRUM i. FIBER DRUM m. GLASS BOTTLE q. RAIL CAR
 b. UNDERGROUND TANK f. CAN j. BAG n. PLASTIC BOTTLE r. OTHER
 c. TANK INSIDE BUILDING g. CARBOY k. BOX o. TOTE BIN
 d. STEEL DRUM h. SILO l. CYLINDER p. TANK WAGON

STORAGE PRESSURE 224

a. AMBIENT b. ABOVE AMBIENT c. BELOW AMBIENT

STORAGE TEMPERATURE 225

a. AMBIENT b. ABOVE AMBIENT c. BELOW AMBIENT d. CRYOGENIC

%WT

HAZARDOUS COMPONENT (For mixture or waste only)

EHS

CAS #

1

226

227

Yes 228

229

2

230

231

Yes 232

233

3

234

235

Yes 236

237

4

238

239

Yes 240

241

5

242

243

Yes 244

245

If more hazardous components are present at greater than 1% by weight if non-carcinogenic, or 0.1% by weight if carcinogenic, attach additional sheets of paper capturing the required information.

ADDITIONAL LOCALLY COLLECTED INFORMATION 246

If EPCRA, Please Sign Here

**UNIFIED PROGRAM CONSOLIDATED FORM
HAZARDOUS MATERIALS
HAZARDOUS MATERIALS INVENTORY – CHEMICAL DESCRIPTION**

(one page per material per building or area)

ADD

DELETE

REVISE

200

Page ___ of ___

I. FACILITY INFORMATION

BUSINESS NAME (Same as FACILITY NAME or DBA – Doing Business As) 3

E & J Gallo Winery

CHEMICAL LOCATION 201

various location/yard area

CHEMICAL LOCATION CONFIDENTIAL EPCRA 202

YES

FACILITY ID #

F A 0 0 0 0 1 0 5

MAP# (optional) 203

4,5,6,7

GRID# (optional) 204

II. CHEMICAL INFORMATION

CHEMICAL NAME 205

Hydrochloric Acid 7-26%

TRADE SECRET 206

Yes

If Subject to EPCRA, refer to instructions

COMMON NAME 207

Hydrochloric Acid 7-26%

EHS* 208

Yes

CAS# 209

7647-01-0

*If EHS is "Yes", all amounts below must be in lbs.

FIRE CODE HAZARD CLASSES (Complete if required by CUPA) 210

HAZARDOUS MATERIAL TYPE (Check one item only) 211

a. PURE b. MIXTURE c. WASTE

RADIOACTIVE Yes 212

CURIES 213

PHYSICAL STATE (Check one item only) 214

a. SOLID b. LIQUID c. GAS

LARGEST CONTAINER 215

55.0

FED HAZARD CATEGORIES (Check all that apply) 216

a. FIRE b. REACTIVE c. PRESSURE RELEASE d. ACUTE HEALTH e. CHRONIC HEALTH

AVERAGE DAILY AMOUNT 217

2000.0

MAXIMUM DAILY AMOUNT 218

2500.0

ANNUAL WASTE AMOUNT 219

STATE WASTE CODE 220

UNITS* 221

(Check one item only)

a. GALLONS b. CUBIC FEET c. POUNDS d. TONS

* If EHS, amount must be in pounds.

DAYS ON SITE: 222

365.0

STORAGE CONTAINER 223

a. ABOVE GROUND TANK e. PLASTIC/NONMETALLIC DRUM i. FIBER DRUM m. GLASS BOTTLE q. RAIL CAR
 b. UNDERGROUND TANK f. CAN j. BAG n. PLASTIC BOTTLE r. OTHER
 c. TANK INSIDE BUILDING g. CARBOY k. BOX o. TOTE BIN
 d. STEEL DRUM h. SILO l. CYLINDER p. TANK WAGON

STORAGE PRESSURE 224

a. AMBIENT b. ABOVE AMBIENT c. BELOW AMBIENT

STORAGE TEMPERATURE 225

a. AMBIENT b. ABOVE AMBIENT c. BELOW AMBIENT d. CRYOGENIC

%WT

HAZARDOUS COMPONENT (For mixture or waste only)

EHS

CAS #

1 226

hydrochloric acid

Yes 227

7647-01-0 228

229

2 230

Yes 231

232

233

3 234

Yes 235

236

237

4 238

Yes 239

240

241

5 242

Yes 243

244

245

If more hazardous components are present at greater than 1% by weight if non-carcinogenic, or 0.1% by weight if carcinogenic, attach additional sheets of paper capturing the required information.

ADDITIONAL LOCALLY COLLECTED INFORMATION 246

If EPCRA, Please Sign Here

**UNIFIED PROGRAM CONSOLIDATED FORM
HAZARDOUS MATERIALS
HAZARDOUS MATERIALS INVENTORY – CHEMICAL DESCRIPTION**

(one page per material per building or area)

ADD

DELETE

REVISE

200

Page ___ of ___

I. FACILITY INFORMATION

BUSINESS NAME (Same as FACILITY NAME or DBA – Doing Business As) 3

E & J Gallo Winery

CHEMICAL LOCATION 201

see map

CHEMICAL LOCATION CONFIDENTIAL EPCRA 202

YES

FACILITY ID #

F

A

0

0

0

0

1

0

5

MAP# (optional) 203

GRID# (optional) 204

II. CHEMICAL INFORMATION

CHEMICAL NAME 205

TRADE SECRET Yes 206

If Subject to EPCRA, refer to instructions

COMMON NAME 207

Diverfoam plus

EHS* Yes 208

CAS# 209

*If EHS is "Yes", all amounts below must be in lbs.

FIRE CODE HAZARD CLASSES (Complete if required by CUPA) 210

HAZARDOUS MATERIAL TYPE (Check one item only) 211

a. PURE b. MIXTURE c. WASTE

RADIOACTIVE Yes 212

CURIES 213

PHYSICAL STATE (Check one item only) 214

a. SOLID b. LIQUID c. GAS

LARGEST CONTAINER 215

55.0

FED HAZARD CATEGORIES (Check all that apply) 216

a. FIRE b. REACTIVE c. PRESSURE RELEASE d. ACUTE HEALTH e. CHRONIC HEALTH

AVERAGE DAILY AMOUNT 217

55.0

MAXIMUM DAILY AMOUNT 218

110.0

ANNUAL WASTE AMOUNT 219

STATE WASTE CODE 220

UNITS* (Check one item only) 221

a. GALLONS b. CUBIC FEET c. POUNDS d. TONS
* If EHS, amount must be in pounds.

DAYS ON SITE: 222

365.0

STORAGE CONTAINER

a. ABOVE GROUND TANK e. PLASTIC/NONMETALLIC DRUM i. FIBER DRUM m. GLASS BOTTLE q. RAIL CAR
 b. UNDERGROUND TANK f. CAN j. BAG n. PLASTIC BOTTLE r. OTHER
 c. TANK INSIDE BUILDING g. CARBOY k. BOX o. TOTE BIN
 d. STEEL DRUM h. SILO l. CYLINDER p. TANK WAGON

STORAGE PRESSURE 224

a. AMBIENT b. ABOVE AMBIENT c. BELOW AMBIENT

STORAGE TEMPERATURE 225

a. AMBIENT b. ABOVE AMBIENT c. BELOW AMBIENT d. CRYOGENIC

%WT

HAZARDOUS COMPONENT (For mixture or waste only)

EHS

CAS #

1 12.0 226

potassium hydroxide 227

Yes 228

1310-58-3 229

2 2.0 230

sodium hypochlorite 231

Yes 232

1310-73-2 233

3 234

Yes 236

237

4 238

Yes 240

241

5 242

Yes 244

245

If more hazardous components are present at greater than 1% by weight if non-carcinogenic, or 0.1% by weight if carcinogenic, attach additional sheets of paper capturing the required information.

ADDITIONAL LOCALLY COLLECTED INFORMATION 246

If EPCRA, Please Sign Here

**UNIFIED PROGRAM CONSOLIDATED FORM
HAZARDOUS MATERIALS
HAZARDOUS MATERIALS INVENTORY – CHEMICAL DESCRIPTION**

(one page per material per building or area)

ADD

DELETE

REVISE

200

Page ___ of ___

I. FACILITY INFORMATION

BUSINESS NAME (Same as FACILITY NAME or DBA – Doing Business As) 3

E & J Gallo Winery

CHEMICAL LOCATION 201

various locations/yard area

CHEMICAL LOCATION CONFIDENTIAL EPCRA 202

YES

FACILITY ID #

F A 0 0 0 0 1 0 5

MAP# (optional) 203

2,4,7,8

GRID# (optional) 204

II. CHEMICAL INFORMATION

CHEMICAL NAME 205

Potassium hydroxide foam

TRADE SECRET 206

Yes

If Subject to EPCRA, refer to instructions

COMMON NAME 207

Smokehouse 101 K

EHS* 208

Yes

CAS# 209

1310-58-3

*If EHS is "Yes", all amounts below must be in lbs.

FIRE CODE HAZARD CLASSES (Complete if required by CUPA) 210

HAZARDOUS MATERIAL TYPE (Check one item only) 211

a. PURE b. MIXTURE c. WASTE

RADIOACTIVE Yes 212

CURIES 213

PHYSICAL STATE (Check one item only) 214

a. SOLID b. LIQUID c. GAS

LARGEST CONTAINER 215

55.0

FED HAZARD CATEGORIES (Check all that apply) 216

a. FIRE b. REACTIVE c. PRESSURE RELEASE d. ACUTE HEALTH e. CHRONIC HEALTH

AVERAGE DAILY AMOUNT 217

495.0

MAXIMUM DAILY AMOUNT 218

495.0

ANNUAL WASTE AMOUNT 219

STATE WASTE CODE 220

UNITS* (Check one item only) 221

a. GALLONS b. CUBIC FEET c. POUNDS d. TONS
* If EHS, amount must be in pounds.

DAYS ON SITE: 222

365.0

STORAGE CONTAINER 223

a. ABOVE GROUND TANK e. PLASTIC/NONMETALLIC DRUM i. FIBER DRUM m. GLASS BOTTLE q. RAIL CAR
 b. UNDERGROUND TANK f. CAN j. BAG n. PLASTIC BOTTLE r. OTHER
 c. TANK INSIDE BUILDING g. CARBOY k. BOX o. TOTE BIN
 d. STEEL DRUM h. SILO l. CYLINDER p. TANK WAGON

STORAGE PRESSURE 224

a. AMBIENT b. ABOVE AMBIENT c. BELOW AMBIENT

STORAGE TEMPERATURE 225

a. AMBIENT b. ABOVE AMBIENT c. BELOW AMBIENT d. CRYOGENIC

%WT

HAZARDOUS COMPONENT (For mixture or waste only)

EHS

CAS #

1 10.0 226

potassium hydroxide 227

Yes 228

1310-58-3 229

2 5.0 230

Ethylene glycol monobutyl ether 231

Yes 232

111-76-2 233

3 234

Yes 236

237

4 238

Yes 240

241

5 242

Yes 244

245

If more hazardous components are present at greater than 1% by weight if non-carcinogenic, or 0.1% by weight if carcinogenic, attach additional sheets of paper capturing the required information.

ADDITIONAL LOCALLY COLLECTED INFORMATION 246

If EPCRA, Please Sign Here

**UNIFIED PROGRAM CONSOLIDATED FORM
HAZARDOUS MATERIALS
HAZARDOUS MATERIALS INVENTORY – CHEMICAL DESCRIPTION**

(one page per material per building or area)

ADD

DELETE

REVISE

200

Page ___ of ___

I. FACILITY INFORMATION

BUSINESS NAME (Same as FACILITY NAME or DBA – Doing Business As) 3

E & J Gallo Winery

CHEMICAL LOCATION 201

CHEMICAL LOCATION CONFIDENTIAL EPCRA 202

YES

FACILITY ID #

F

A

0

0

0

0

1

0

5

MAP# (optional) 203

GRID# (optional) 204

II. CHEMICAL INFORMATION

CHEMICAL NAME 205

TRADE SECRET Yes 206

If Subject to EPCRA, refer to instructions

COMMON NAME 207

Enduromax

EHS* Yes 208

CAS# 209

*If EHS is "Yes", all amounts below must be in lbs.

FIRE CODE HAZARD CLASSES (Complete if required by CUPA) 210

HAZARDOUS MATERIAL TYPE (Check one item only) 211

a. PURE b. MIXTURE c. WASTE

RADIOACTIVE Yes 212

CURIES 213

PHYSICAL STATE (Check one item only) 214

a. SOLID b. LIQUID c. GAS

LARGEST CONTAINER 215

3990000.0

FED HAZARD CATEGORIES (Check all that apply) 216

a. FIRE b. REACTIVE c. PRESSURE RELEASE d. ACUTE HEALTH e. CHRONIC HEALTH

AVERAGE DAILY AMOUNT 217

3990000.0

MAXIMUM DAILY AMOUNT 218

3990000.0

ANNUAL WASTE AMOUNT 219

STATE WASTE CODE 220

UNITS* (Check one item only) 221

a. GALLONS b. CUBIC FEET c. POUNDS d. TONS
* If EHS, amount must be in pounds.

DAYS ON SITE: 222
365.0

STORAGE CONTAINER 223

a. ABOVE GROUND TANK e. PLASTIC/NONMETALLIC DRUM i. FIBER DRUM m. GLASS BOTTLE q. RAIL CAR
 b. UNDERGROUND TANK f. CAN j. BAG n. PLASTIC BOTTLE r. OTHER
 c. TANK INSIDE BUILDING g. CARBOY k. BOX o. TOTE BIN
 d. STEEL DRUM h. SILO l. CYLINDER p. TANK WAGON

STORAGE PRESSURE 224

a. AMBIENT b. ABOVE AMBIENT c. BELOW AMBIENT

STORAGE TEMPERATURE 225

a. AMBIENT b. ABOVE AMBIENT c. BELOW AMBIENT d. CRYOGENIC

%WT

HAZARDOUS COMPONENT (For mixture or waste only)

EHS

CAS #

1

5.0

226

N-tallow alky-2-2-iminobis ethanol-n-oxide

227

Yes

228

61791-46-6

229

2

1.0

230

diethylene glycol ethy ether

231

Yes

232

111-90-0

233

3

5.0

234

triethanolamine

235

Yes

236

102-71-6

237

4

5.0

238

propylene glycol

239

Yes

240

57-55-6

241

5

30.0

242

sodium hydroxide

243

Yes

244

1310-73-2

245

If more hazardous components are present at greater than 1% by weight if non-carcinogenic, or 0.1% by weight if carcinogenic, attach additional sheets of paper capturing the required information.

ADDITIONAL LOCALLY COLLECTED INFORMATION 246

If EPCRA, Please Sign Here

**UNIFIED PROGRAM CONSOLIDATED FORM
HAZARDOUS MATERIALS
HAZARDOUS MATERIALS INVENTORY – CHEMICAL DESCRIPTION**

(one page per material per building or area)

ADD

DELETE

REVISE

200

Page ___ of ___

I. FACILITY INFORMATION

BUSINESS NAME (Same as FACILITY NAME or DBA – Doing Business As) 3

E & J Gallo Winery

CHEMICAL LOCATION 201

storeroom

CHEMICAL LOCATION CONFIDENTIAL EPCRA 202

YES

FACILITY ID #

F

A

0

0

0

0

1

0

5

1

MAP# (optional) 203

GRID# (optional) 204

II. CHEMICAL INFORMATION

CHEMICAL NAME 205

chlorodifloukomethane

TRADE SECRET 206

Yes

If Subject to EPCRA, refer to instructions

COMMON NAME 207

Freon 22

EHS* 208

Yes

CAS# 209

75-45-6

*If EHS is "Yes", all amounts below must be in lbs.

FIRE CODE HAZARD CLASSES (Complete if required by CUPA) 210

HAZARDOUS MATERIAL TYPE (Check one item only) 211

a. PURE b. MIXTURE c. WASTE

RADIOACTIVE Yes 212

CURIES 213

PHYSICAL STATE (Check one item only) 214

a. SOLID b. LIQUID c. GAS

LARGEST CONTAINER 215

50.0

FED HAZARD CATEGORIES (Check all that apply) 216

a. FIRE b. REACTIVE c. PRESSURE RELEASE d. ACUTE HEALTH e. CHRONIC HEALTH

AVERAGE DAILY AMOUNT 217

50.0

MAXIMUM DAILY AMOUNT 218

100.0

ANNUAL WASTE AMOUNT 219

STATE WASTE CODE 220

UNITS* 221

(Check one item only)

a. GALLONS b. CUBIC FEET c. POUNDS d. TONS

* If EHS, amount must be in pounds.

DAYS ON SITE: 222

365.0

STORAGE CONTAINER 223

a. ABOVE GROUND TANK e. PLASTIC/NONMETALLIC DRUM i. FIBER DRUM m. GLASS BOTTLE q. RAIL CAR
 b. UNDERGROUND TANK f. CAN j. BAG n. PLASTIC BOTTLE r. OTHER
 c. TANK INSIDE BUILDING g. CARBOY k. BOX o. TOTE BIN
 d. STEEL DRUM h. SILO l. CYLINDER p. TANK WAGON

STORAGE PRESSURE 224

a. AMBIENT b. ABOVE AMBIENT c. BELOW AMBIENT

STORAGE TEMPERATURE 225

a. AMBIENT b. ABOVE AMBIENT c. BELOW AMBIENT d. CRYOGENIC

%WT

HAZARDOUS COMPONENT (For mixture or waste only)

EHS

CAS #

1

226

227

Yes 228

229

2

230

231

Yes 232

233

3

234

235

Yes 236

237

4

238

239

Yes 240

241

5

242

243

Yes 244

245

If more hazardous components are present at greater than 1% by weight if non-carcinogenic, or 0.1% by weight if carcinogenic, attach additional sheets of paper capturing the required information.

ADDITIONAL LOCALLY COLLECTED INFORMATION 246

If EPCRA, Please Sign Here

**UNIFIED PROGRAM CONSOLIDATED FORM
HAZARDOUS MATERIALS
HAZARDOUS MATERIALS INVENTORY – CHEMICAL DESCRIPTION**

(one page per material per building or area)

ADD

DELETE

REVISE

200

Page ___ of ___

I. FACILITY INFORMATION

BUSINESS NAME (Same as FACILITY NAME or DBA – Doing Business As) 3

E & J Gallo Winery

CHEMICAL LOCATION 201

storeroom

CHEMICAL LOCATION CONFIDENTIAL EPCRA 202

YES

FACILITY ID #

F

A

0

0

0

0

1

0

5

MAP# (optional) 203

GRID# (optional) 204

II. CHEMICAL INFORMATION

CHEMICAL NAME 205

dichlorodifluoromethane

TRADE SECRET Yes 206

If Subject to EPCRA, refer to instructions

COMMON NAME 207

Freon 12

EHS* Yes 208

CAS# 209

75-71-8

*If EHS is "Yes", all amounts below must be in lbs.

FIRE CODE HAZARD CLASSES (Complete if required by CUPA) 210

HAZARDOUS MATERIAL TYPE (Check one item only) 211

a. PURE b. MIXTURE c. WASTE

RADIOACTIVE Yes 212

CURIES 213

PHYSICAL STATE (Check one item only) 214

a. SOLID b. LIQUID c. GAS

LARGEST CONTAINER 50.0 215

FED HAZARD CATEGORIES (Check all that apply) 216

a. FIRE b. REACTIVE c. PRESSURE RELEASE d. ACUTE HEALTH e. CHRONIC HEALTH

AVERAGE DAILY AMOUNT 217

50.0

MAXIMUM DAILY AMOUNT 218

100.0

ANNUAL WASTE AMOUNT 219

STATE WASTE CODE 220

UNITS* 221

(Check one item only)

a. GALLONS b. CUBIC FEET c. POUNDS d. TONS

* If EHS, amount must be in pounds.

DAYS ON SITE: 222

365.0

STORAGE CONTAINER 223

a. ABOVE GROUND TANK e. PLASTIC/NONMETALLIC DRUM i. FIBER DRUM m. GLASS BOTTLE q. RAIL CAR
 b. UNDERGROUND TANK f. CAN j. BAG n. PLASTIC BOTTLE r. OTHER
 c. TANK INSIDE BUILDING g. CARBOY k. BOX o. TOTE BIN
 d. STEEL DRUM h. SILO l. CYLINDER p. TANK WAGON

STORAGE PRESSURE 224

a. AMBIENT b. ABOVE AMBIENT c. BELOW AMBIENT

STORAGE TEMPERATURE 225

a. AMBIENT b. ABOVE AMBIENT c. BELOW AMBIENT d. CRYOGENIC

%WT

HAZARDOUS COMPONENT (For mixture or waste only)

EHS

CAS #

1

226

227

Yes

228

229

2

230

231

Yes

232

233

3

234

235

Yes

236

237

4

238

239

Yes

240

241

5

242

243

Yes

244

245

If more hazardous components are present at greater than 1% by weight if non-carcinogenic, or 0.1% by weight if carcinogenic, attach additional sheets of paper capturing the required information.

ADDITIONAL LOCALLY COLLECTED INFORMATION 246

If EPCRA, Please Sign Here

**UNIFIED PROGRAM CONSOLIDATED FORM
HAZARDOUS MATERIALS
HAZARDOUS MATERIALS INVENTORY – CHEMICAL DESCRIPTION**

(one page per material per building or area)

ADD

DELETE

REVISE

200

Page ___ of ___

I. FACILITY INFORMATION

BUSINESS NAME (Same as FACILITY NAME or DBA – Doing Business As) 3

E & J Gallo Winery

CHEMICAL LOCATION 201

storeroom

CHEMICAL LOCATION CONFIDENTIAL EPCRA 202

YES

FACILITY ID #

F A 0 0 0 0 1 0 5

MAP# (optional) 203

6

GRID# (optional) 204

N/A

II. CHEMICAL INFORMATION

CHEMICAL NAME 205

1,1,1,2,-tetrafluoroethane

TRADE SECRET 206

Yes

If Subject to EPCRA, refer to instructions

COMMON NAME 207

Freon R134A

EHS* 208

Yes

CAS# 209

811-97-2

*If EHS is "Yes", all amounts below must be in lbs.

FIRE CODE HAZARD CLASSES (Complete if required by CUPA) 210

HAZARDOUS MATERIAL TYPE (Check one item only) 211

a. PURE b. MIXTURE c. WASTE

RADIOACTIVE Yes 212

CURIES 213

PHYSICAL STATE (Check one item only) 214

a. SOLID b. LIQUID c. GAS

LARGEST CONTAINER 215

50.0

FED HAZARD CATEGORIES (Check all that apply) 216

a. FIRE b. REACTIVE c. PRESSURE RELEASE d. ACUTE HEALTH e. CHRONIC HEALTH

AVERAGE DAILY AMOUNT 217

50.0

MAXIMUM DAILY AMOUNT 218

100.0

ANNUAL WASTE AMOUNT 219

STATE WASTE CODE 220

UNITS* 221

(Check one item only)

a. GALLONS b. CUBIC FEET c. POUNDS d. TONS

* If EHS, amount must be in pounds.

DAYS ON SITE: 222

365.0

STORAGE CONTAINER 223

a. ABOVE GROUND TANK e. PLASTIC/NONMETALLIC DRUM i. FIBER DRUM m. GLASS BOTTLE q. RAIL CAR
 b. UNDERGROUND TANK f. CAN j. BAG n. PLASTIC BOTTLE r. OTHER
 c. TANK INSIDE BUILDING g. CARBOY k. BOX o. TOTE BIN
 d. STEEL DRUM h. SILO l. CYLINDER p. TANK WAGON

STORAGE PRESSURE 224

a. AMBIENT b. ABOVE AMBIENT c. BELOW AMBIENT

STORAGE TEMPERATURE 225

a. AMBIENT b. ABOVE AMBIENT c. BELOW AMBIENT d. CRYOGENIC

%WT

HAZARDOUS COMPONENT (For mixture or waste only)

EHS

CAS #

1

226

227

Yes

228

229

2

230

231

Yes

232

233

3

234

235

Yes

236

237

4

238

239

Yes

240

241

5

242

243

Yes

244

245

If more hazardous components are present at greater than 1% by weight if non-carcinogenic, or 0.1% by weight if carcinogenic, attach additional sheets of paper capturing the required information.

ADDITIONAL LOCALLY COLLECTED INFORMATION 246

If EPCRA, Please Sign Here

**UNIFIED PROGRAM CONSOLIDATED FORM
HAZARDOUS MATERIALS
HAZARDOUS MATERIALS INVENTORY – CHEMICAL DESCRIPTION**

(one page per material per building or area)

ADD

DELETE

REVISE

200

Page ___ of ___

I. FACILITY INFORMATION

BUSINESS NAME (Same as FACILITY NAME or DBA – Doing Business As) 3

E & J Gallo Winery

CHEMICAL LOCATION 201

polyurethane storage vessel

CHEMICAL LOCATION CONFIDENTIAL EPCRA 202

YES

FACILITY ID #

F A 0 0 0 0 1 0 5

MAP# (optional) 203

4

GRID# (optional) 204

II. CHEMICAL INFORMATION

CHEMICAL NAME 205

Tartaric Acid Solution

TRADE SECRET 206

Yes

If Subject to EPCRA, refer to instructions

COMMON NAME 207

Tartaric Acid Solution

EHS* 208

Yes

CAS# 209

87-69-4

*If EHS is "Yes", all amounts below must be in lbs.

FIRE CODE HAZARD CLASSES (Complete if required by CUPA) 210

HAZARDOUS MATERIAL TYPE (Check one item only) 211

a. PURE b. MIXTURE c. WASTE

RADIOACTIVE Yes 212

CURIES 213

PHYSICAL STATE (Check one item only) 214

a. SOLID b. LIQUID c. GAS

LARGEST CONTAINER 215

8700.0

FED HAZARD CATEGORIES (Check all that apply) 216

a. FIRE b. REACTIVE c. PRESSURE RELEASE d. ACUTE HEALTH e. CHRONIC HEALTH

AVERAGE DAILY AMOUNT 217

6000.0

MAXIMUM DAILY AMOUNT 218

8000.0

ANNUAL WASTE AMOUNT 219

STATE WASTE CODE 220

UNITS* 221

(Check one item only)

a. GALLONS b. CUBIC FEET c. POUNDS d. TONS
* If EHS, amount must be in pounds.

DAYS ON SITE: 222

365.0

STORAGE CONTAINER 223

a. ABOVE GROUND TANK e. PLASTIC/NONMETALLIC DRUM i. FIBER DRUM m. GLASS BOTTLE q. RAIL CAR
 b. UNDERGROUND TANK f. CAN j. BAG n. PLASTIC BOTTLE r. OTHER
 c. TANK INSIDE BUILDING g. CARBOY k. BOX o. TOTE BIN
 d. STEEL DRUM h. SILO l. CYLINDER p. TANK WAGON

STORAGE PRESSURE 224

a. AMBIENT b. ABOVE AMBIENT c. BELOW AMBIENT

STORAGE TEMPERATURE 225

a. AMBIENT b. ABOVE AMBIENT c. BELOW AMBIENT d. CRYOGENIC

%WT

HAZARDOUS COMPONENT (For mixture or waste only)

EHS

CAS #

1 49.0 226

tartaric acid solution 227

Yes 228

87-69-4 229

2 230

Yes 232

233

3 234

Yes 236

237

4 238

Yes 240

241

5 242

Yes 244

245

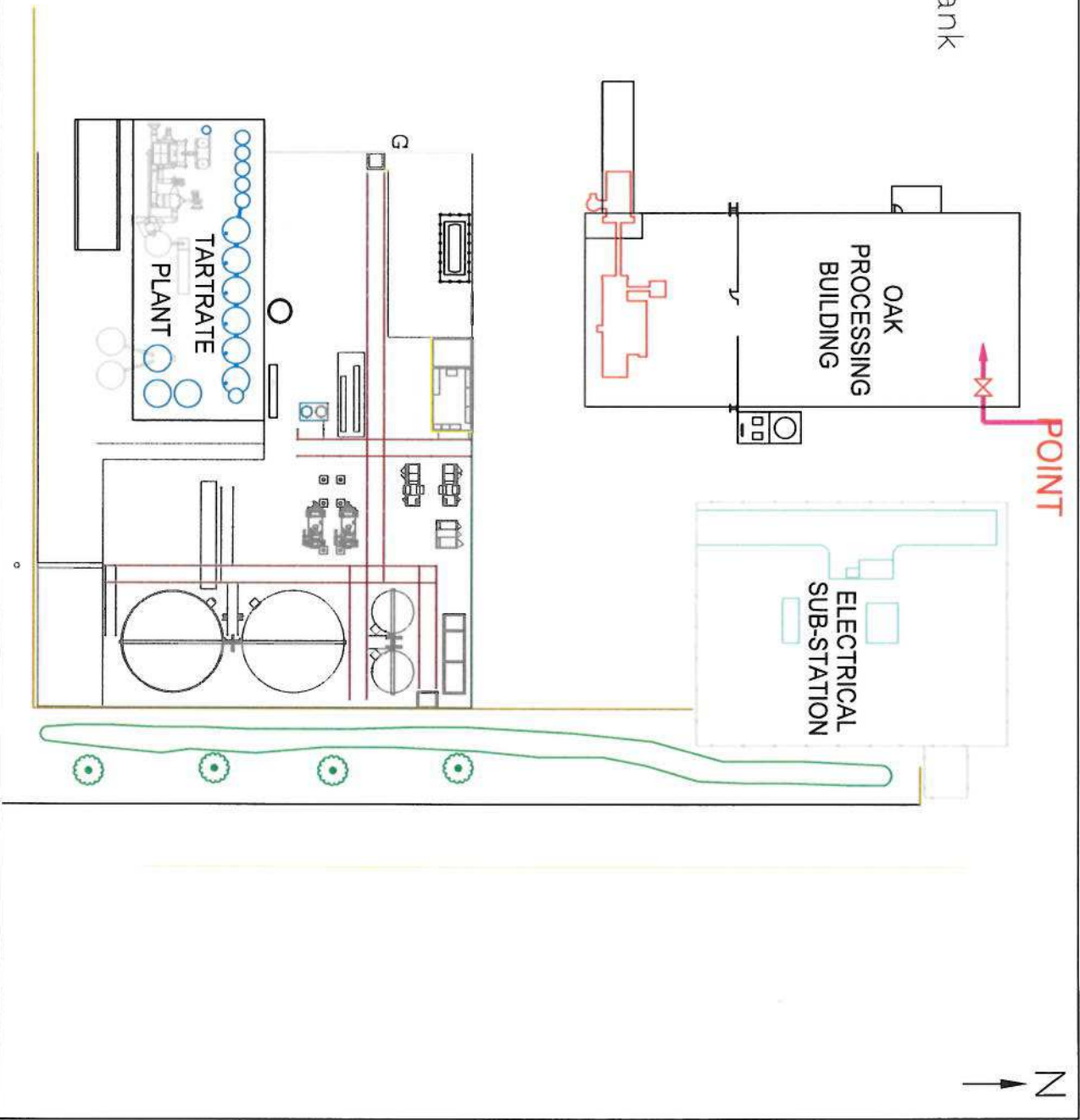
If more hazardous components are present at greater than 1% by weight if non-carcinogenic, or 0.1% by weight if carcinogenic, attach additional sheets of paper capturing the required information.

ADDITIONAL LOCALLY COLLECTED INFORMATION 246

If EPCRA, Please Sign Here

FACILITY SITE MAP

- (A) Electrical Substation
- (B) 2,000 Gallon Propane Tank
- 9 Flammable Liquid
- G 1 Ton so2 Cylinder



E&J Gallo Winery

18000 West River Rd./Livingston, CA

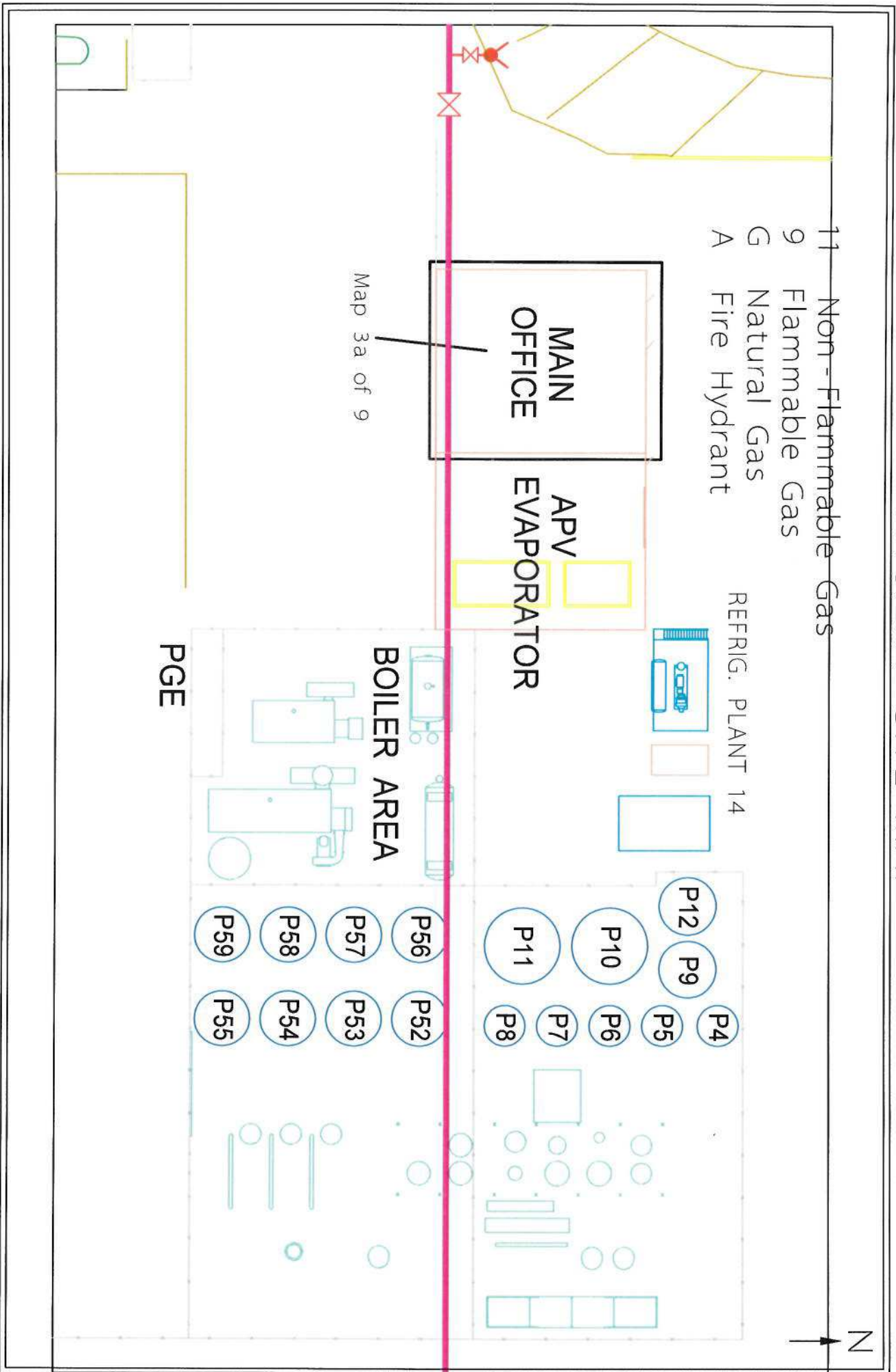
Map 2 of 9

Facility Name

Facility Address / City, State

Scale 1" = None ft

FACILITY SITE MAP



E&J Gallo Winery

18000 West River Rd./Livingston, CA

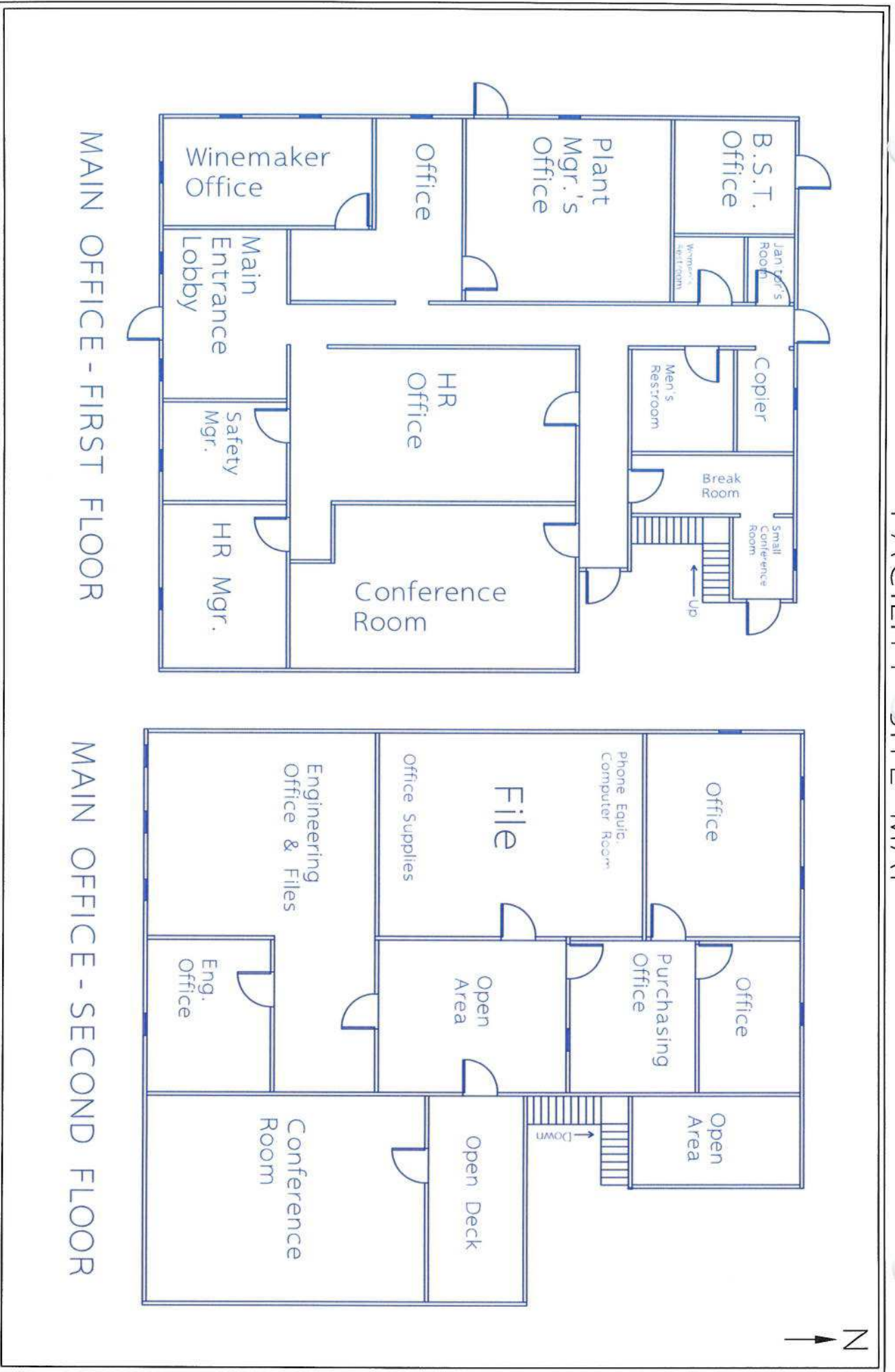
Map 3 of 9

Facility Name

Facility Address/City, State

Scale 1" = None ft

FACILITY SITE MAP



E&J Gallo Winery

18000 West River Rd./Livingston, CA

Map 3a of 9

Facility Name

Facility Address/City, State

Scale 1" = None ft

Emergency Response/Contingency Plan

(Hazardous Materials Business Plan Module)

Authority Cited: HSC, Section 25504(b); Title 22, Div. 4.5, Ch. 12, Art. 3 CCR

All facilities that handle hazardous materials in specified quantities must have a written emergency response plan. In addition, facilities that generate 1,000 kilograms or more of hazardous waste per month, or accumulate more than 6,000 kilograms of hazardous waste on-site at any one time, must prepare a contingency plan. Because the requirements are similar, they have been combined in a single document, provided below, for your convenience. This plan is a required module of the Hazardous Materials Business Plan (HMBP). **If you already have a plan that meets these requirements, you should not complete the blank plan, below, but you must include a copy of your existing plan as part of your HMBP.**

This site-specific Emergency Response/Contingency Plan is the facility's plan for dealing with emergencies and shall be implemented immediately whenever there is a fire, explosion, or release of hazardous materials that could threaten human health and/or the environment. **At least one copy of the plan shall be maintained at the facility for use in the event of an emergency and for inspection by the local agency.** Within Santa Clara County, hospitals and police agencies have delegated receipt of these plans to the local agencies administering Hazardous Materials Business Plans, so additional copies need not be submitted. However, a copy of the plan and any revisions must be provided to any contractor, hospital, or agency with whom special (i.e. contractual) emergency services arrangements have been made (see section 3, below).

1. Evacuation Plan:

a. The following alarm signal(s) will be used to begin evacuation of the facility (check all that apply):

Bells; Horns/Sirens; Verbal (i.e. shouting); Other (specify) _____

b. Evacuation map is prominently displayed throughout the facility.

Note: A properly completed HMBP Site Plan satisfies contingency plan map requirements. This drawing (or any other drawing that shows primary and alternate evacuation routes, emergency exits, and primary and alternate staging areas) must be prominently posted throughout the facility in locations where it will be visible to employees and visitors.

2. a. Emergency Contacts*:

Fire/Police/Ambulance Phone No. **911**
State Office of Emergency Services Phone No. **(800) 852-7550**

b. Post-Incident Contacts*:

Merced County Environmental Health - Hazardous Materials Phone No. **(209) 381-1100**
California EPA Department of Toxic Substances Control Phone No. **(559) 297-3903**
Cal-OSHA Division of Occupational Safety and Health Phone No. **(209) 557-6400**
San Joaquin Valley Air Pollution Control District Phone No. **(209) 557-6400**
Regional Water Quality Control Board Phone No. **(559) 445-5116**

* These telephone numbers are provided as a general aid to emergency notification. Be advised that additional agencies may be required to be notified.

c. Emergency Resources:

Poison Control Center Phone No. **(800) 876-4766**
Nearest Hospital: Name: _____ Phone No.: _____

Address: **Emanuel Hospital** City: **209 667 5800**
825 Delbon **Turlock**

3. Arrangements With Emergency Responders:

If you have made special (i.e. contractual) arrangements with any police department, fire department, hospital, contractor, or State or local emergency response team to coordinate emergency services, describe those arrangements below:

Emergency Response/Contingency Plan (HMBP Module)

4. Emergency Procedures:

Emergency Coordinator Responsibilities:

- a. Whenever there is an imminent or actual emergency situation such as an explosion, fire, or release, the emergency coordinator (*or his/her designee when the emergency coordinator is on call*) shall:
 - i. Identify the character, exact source, amount, and areal extent of any released hazardous materials.
 - ii. Assess possible hazards to human health or the environment that may result from the explosion, fire, or release. This assessment must consider both direct and indirect effects (*e.g. the effects of any toxic, irritating, or asphyxiating gases that are generated, the effects of any hazardous surface water run-off from water or chemical agents used to control fire, etc.*).
 - iii. Activate internal facility alarms or communications systems, where applicable, to notify all facility personnel.
 - iv. Notify appropriate local authorities (*i.e. call 911*).
 - v. Notify the State Office of Emergency Services at 1-800-852-7550.
 - vi. Monitor for leaks, pressure build-up, gas generation, or ruptures in valves, pipes, or other equipment shut down in response to the incident.
 - vii. Take all reasonable measures necessary to ensure that fires, explosions, and releases do not occur, recur, or spread to other hazardous materials at the facility.
- b. Before facility operations are resumed in areas of the facility affected by the incident, the emergency coordinator shall:
 - i. Provide for proper storage and disposal of recovered waste, contaminated soil or surface water, or any other material that results from an explosion, fire, or release at the facility.
 - ii. Ensure that no material that is incompatible with the released material is transferred, stored, or disposed of in areas of the facility affected by the incident until cleanup procedures are completed.
 - iii. Ensure that all emergency equipment is cleaned, fit for its intended use, and available for use.
 - iv. Notify the California Environmental Protection Agency's Department of Toxic Substances Control, the County of Santa Clara's Hazardous Materials Compliance Division, and the local fire department's hazardous materials program that the facility is in compliance with requirements b-i and b-ii, above.

Responsibilities of Other Personnel:

On a separate page, list any emergency response functions not covered in the "Emergency Coordinator Responsibilities" section, above. Next to each function, list the job title or name of each person responsible for performing the function. Number the page(s) appropriately.

5. Post-Incident Reporting/Recording:

The time, date, and details of any hazardous materials incident that requires implementation of this plan shall be noted in the facility's operating record.

Within 15 days of any hazardous materials emergency incident or threatened hazardous materials emergency incident that triggers implementation of this plan, a written Emergency Incident Report, including, but not limited to a description of the incident and the facility's response to the incident, must be submitted to the California Environmental Protection Agency's Department of Toxic Substances Control, the County of Santa Clara's Hazardous Materials Compliance Division, and the local fire department's hazardous materials program. The report shall include:

- a. Name, address, and telephone number of the facility's owner/operator;
- b. Name, address, and telephone number of the facility;
- c. Date, time, and type of incident (*e.g. fire, explosion, etc.*);
- d. Name and quantity of material(s) involved;
- e. The extent of injuries, if any;
- f. An assessment of actual or potential hazards to human health or the environment, where this is applicable;
- g. Estimated quantity and disposition of recovered material that resulted from the incident;
- h. Cause(es) of the incident;
- i. Actions taken in response to the incident;
- j. Administrative or engineering controls designed to prevent such incidents in the future.

6. Earthquake Vulnerability: [19 CCR §2731(e)]

Identify any areas of the facility and mechanical or other systems that require immediate inspection or isolation because of their vulnerability to earthquake-related ground motion:

Emergency Response/Contingency Plan

7. Emergency Equipment:

22 CCR §66265.52(e) [as referenced by 22 CCR §66262.34(a)(4)] and the Hazardous Materials Storage Ordinance require that emergency equipment at the facility be listed. Completion of the following Emergency Equipment Inventory Table meets this requirement.

EMERGENCY EQUIPMENT INVENTORY TABLE

1. Equipment Category T	2. Equipment Type	3. Locations *	4. Description**
Personal Protective Equipment, Safety Equipment, and First Aid Equipment	<input checked="" type="checkbox"/> Cartridge Respirators	lockers in Maintenance and Production	
	<input checked="" type="checkbox"/> Chemical Monitoring Equipment (<i>describe</i>)	ER Cart	Ammonia Drager tubes
	<input checked="" type="checkbox"/> Chemical Protective Aprons/Coats	Personal lockers and RT Cart	Chemical Suits.
	<input checked="" type="checkbox"/> Chemical Protective Boots	ER Cart	
	<input checked="" type="checkbox"/> Chemical Protective Gloves	ER Cart and Storeroom	
	<input checked="" type="checkbox"/> Chemical Protective Suits (<i>describe</i>)	ER Cart and Storeroom	
	<input checked="" type="checkbox"/> Face Shields	ER Cart and Storeroom	
	<input checked="" type="checkbox"/> First Aid Kits/Stations (<i>describe</i>)	ER Cart and Production Building	First aid Kits in ER cart and First aid station in Production building
	<input checked="" type="checkbox"/> Hard Hats	Personal lockers and Storeroom	
	<input checked="" type="checkbox"/> Plumbed Eye Wash Stations	Throughout facility	
	<input type="checkbox"/> Portable Eye Wash Kits (<i>i.e. bottle type</i>)		
	<input checked="" type="checkbox"/> Respirator Cartridges (<i>describe</i>)	Personal lockers and Storeroom	
	<input checked="" type="checkbox"/> Safety Glasses/Splash Goggles	Personal lockers and Storeroom	
	<input checked="" type="checkbox"/> Safety Showers	Throughout facility	
	<input checked="" type="checkbox"/> Self-Contained Breathing Apparatuses (SCBA)	ER Cart	
<input type="checkbox"/> Other (<i>describe</i>)			
Fire Extinguishing Systems	<input checked="" type="checkbox"/> Automatic Fire Sprinkler Systems	Stills	
	<input checked="" type="checkbox"/> Fire Alarm Boxes/Stations		
	<input checked="" type="checkbox"/> Fire Extinguisher Systems (<i>describe</i>)	Fire Extinguishers throughout facility	
	<input type="checkbox"/> Other (<i>describe</i>)		
Spill Control Equipment and Decontamination Equipment	<input checked="" type="checkbox"/> Absorbents (<i>describe</i>)	Prage area, East of Process building	
	<input checked="" type="checkbox"/> Berms/Dikes (<i>describe</i>)	Prage area, East of Process building	
	<input checked="" type="checkbox"/> Decontamination Equipment (<i>describe</i>)	ER Cart	
	<input type="checkbox"/> Emergency Tanks (<i>describe</i>)		
	<input checked="" type="checkbox"/> Exhaust Hoods	Maint Shop	
	<input checked="" type="checkbox"/> Gas Cylinder Leak Repair Kits (<i>describe</i>)	ER Cart	
	<input checked="" type="checkbox"/> Neutralizers (<i>describe</i>)	Caustic, Ammonia	
	<input type="checkbox"/> Overpack Drums		
Communications and Alarm Systems	<input checked="" type="checkbox"/> Chemical Alarms (<i>describe</i>)	Siren site wide	
	<input type="checkbox"/> Intercoms/ PA Systems		
	<input checked="" type="checkbox"/> Portable Radios	throughout facility	
	<input checked="" type="checkbox"/> Telephones	In office buildings	
	<input type="checkbox"/> Underground Tank Leak Detection Monitors		
	<input type="checkbox"/> Other (<i>describe</i>)		
Additional Equipment (Use Additional Pages if Needed.)	<input type="checkbox"/>		
	<input type="checkbox"/>		
	<input type="checkbox"/>		
	<input type="checkbox"/>		
	<input type="checkbox"/>		
	<input type="checkbox"/>		

* Use the map and grid numbers from the Storage Map prepared earlier for your HMBP.

** Describe the equipment and its capabilities. If applicable, specify any testing/maintenance procedures/intervals. Attach additional pages, numbered appropriately, if needed.

Index of Chemicals Covered by the Business Plan

1. Acetylene
2. Anhydrous Ammonia
3. Argon
4. Freestone
5. Bromacide
6. Ethyl Alcohol (Beverage Alcohol)
7. Carbon (Darco)
8. Carbon Dioxide
9. Chlorine Dioxide
10. Chevron Solvent (Stoddard Solvent)
11. Diesel Fuel
12. Gasoline Fuel
13. Helium
14. Hydrochloric Acid 7-26%)
15. Hydrogen
16. Freon R-22
17. Freon R-12
18. Freon R134A
19. Kerosene
20. Lacquer Thinner/Reducer
21. MethlEthylKetone (MEK)
22. Nitrogen – Bulk
23. Nitrogen – Cylinder
24. Oil (Lubricating)
25. Oxygen – Cylinder
26. Paint
27. Potassium Hydroxide- Liquid
28. Potassium Hydroxide- (HD Plus Foam)
29. Propane
30. Sodium Chlorit
31. STEROX-K
32. Sulfuric Acid
33. Sulfur Dioxide
34. Tartaric Acid – Liquid
35. Thinner
36. Toluene
37. Triax III
38. TriMix – Cylinder
39. Waste Oil Filters
40. Waste Oil
41. Waste Paint (Sludge)
42. Waste Solvent
43. Xylene

UNIFIED PROGRAM CONSOLIDATED FORM

HAZARDOUS MATERIALS

HAZARDOUS MATERIALS INVENTORY – CHEMICAL DESCRIPTION

(one page per material per building or area)

ADD DELETE REVISE 200 Page 1 of 1

I. FACILITY INFORMATION

BUSINESS NAME (Same as FACILITY NAME or DBA – Doing Business As) 3													
E. & J. Gallo Winery													
CHEMICAL LOCATION 201					CHEMICAL LOCATION CONFIDENTIAL 202								
Gas Cylinder Storage Area & Mobile carts					EPCRA <input type="checkbox"/> YES <input checked="" type="checkbox"/> NO								
FACILITY ID #		F	A	0	0	0	0	1	0	5	1	MAP# (optional) 203	GRID# (optional) 204
											6	N/A	

II. CHEMICAL INFORMATION

CHEMICAL NAME 205					TRADE SECRET <input type="checkbox"/> Yes <input checked="" type="checkbox"/> No 206					
Acetylene					If Subject to EPCRA, refer to instructions					
COMMON NAME 207					EHS* <input type="checkbox"/> Yes <input checked="" type="checkbox"/> No 208					
None										
CAS# 209					*If EHS is "Yes", all amounts below must be in lbs.					
FIRE CODE HAZARD CLASSES (Complete if required by CUPA) 210										
COR-FL										
HAZARDOUS MATERIAL TYPE (Check one item only) <input checked="" type="checkbox"/> a. PURE <input type="checkbox"/> b. MIXTURE <input type="checkbox"/> c. WASTE 211					RADIOACTIVE <input type="checkbox"/> Yes <input checked="" type="checkbox"/> No 212		CURIES 213			
PHYSICAL STATE: (Check one item only) <input type="checkbox"/> a. SOLID <input type="checkbox"/> b. LIQUID <input checked="" type="checkbox"/> c. GAS 214					LARGEST CONTAINER 210 CF 215					
FED HAZARD CATEGORIES (Check all that apply) <input checked="" type="checkbox"/> a. FIRE <input checked="" type="checkbox"/> b. REACTIVE <input checked="" type="checkbox"/> c. PRESSURE RELEASE <input checked="" type="checkbox"/> d. ACUTE HEALTH <input type="checkbox"/> e. CHRONIC HEALTH 216										
AVERAGE DAILY AMOUNT 217		MAXIMUM DAILY AMOUNT 218		ANNUAL WASTE AMOUNT 219		STATE WASTE CODE 220				
1206		2010		None		N/A				
UNITS* (Check one item only) <input type="checkbox"/> a. GALLONS <input checked="" type="checkbox"/> b. CUBIC FEET <input type="checkbox"/> c. POUNDS <input type="checkbox"/> d. TONS 221					DAYS ON SITE: 365 222					
STORAGE CONTAINER <input type="checkbox"/> a. ABOVE GROUND TANK <input type="checkbox"/> b. UNDERGROUND TANK <input type="checkbox"/> c. TANK INSIDE BUILDING <input type="checkbox"/> d. STEEL DRUM					<input type="checkbox"/> e. PLASTIC/NONMETALLIC DRUM <input type="checkbox"/> f. CAN <input type="checkbox"/> g. CARBOY <input type="checkbox"/> h. SILO					
<input type="checkbox"/> i. FIBER DRUM <input type="checkbox"/> j. BAG <input type="checkbox"/> k. BOX <input checked="" type="checkbox"/> l. CYLINDER					<input type="checkbox"/> m. GLASS BOTTLE <input type="checkbox"/> n. PLASTIC BOTTLE <input type="checkbox"/> o. TOTE BIN <input type="checkbox"/> p. TANK WAGON 223					
STORAGE PRESSURE <input type="checkbox"/> a. AMBIENT <input checked="" type="checkbox"/> b. ABOVE AMBIENT <input type="checkbox"/> c. BELOW AMBIENT 224										
STORAGE TEMPERATURE <input checked="" type="checkbox"/> a. AMBIENT <input type="checkbox"/> b. ABOVE AMBIENT <input type="checkbox"/> c. BELOW AMBIENT <input type="checkbox"/> d. CRYOGENIC 225										
%WT. 226		HAZARDOUS COMPONENT (For mixture or waste only)					EHS		CAS # 229	
1 100% 230		Acetylene 231					<input type="checkbox"/> Yes <input checked="" type="checkbox"/> No 228		74-86-2 233	
2 234							<input type="checkbox"/> Yes <input type="checkbox"/> No 232		237	
3 238							<input type="checkbox"/> Yes <input type="checkbox"/> No 236		241	
4 242							<input type="checkbox"/> Yes <input type="checkbox"/> No 240		245	
5 242							<input type="checkbox"/> Yes <input type="checkbox"/> No 244		245	
If more hazardous components are present at greater than 1% by weight if carcinogenic, attach additional sheets of paper capturing the required information.										
ADDITIONALLY LOCALLY COLLECTED INFORMATION 246										

UNIFIED PROGRAM CONSOLIDATED FORM

HAZARDOUS MATERIALS

HAZARDOUS MATERIALS INVENTORY – CHEMICAL DESCRIPTION

(one page per material per building or area)

ADD DELETE X REVISE 200 Page 1 of 1

I. FACILITY INFORMATION

BUSINESS NAME (Same as FACILITY NAME or DBA – Doing Business As)										3		
E. & J. Gallo Winery												
CHEMICAL LOCATION					201	CHEMICAL LOCATION CONFIDENTIAL				202		
Storage Vessels					EPCRA							
					<input type="checkbox"/> YES <input checked="" type="checkbox"/> NO							
FACILITY ID #		F	A	0	0	0	0	1	0	5	1	
							MAP# (optional)		203	GRID# (optional)		204
							3,4,5,6,7			NONE		

II. CHEMICAL INFORMATION

CHEMICAL NAME					205	TRADE SECRET					206
Anhydrous Ammonia					<input type="checkbox"/> Yes <input checked="" type="checkbox"/> No						
					If Subject to EPCRA, refer to instructions						
COMMON NAME					207	EHS*					208
NONE					<input checked="" type="checkbox"/> Yes <input type="checkbox"/> No						
CAS#					209	*If EHS is "Yes", all amounts below must be in lbs.					
7664-41-7											
FIRE CODE HAZARD CLASSES (Complete if required by CUPA)										210	
COR-NFG											
HAZARDOUS MATERIAL TYPE (Check one item only)					211	RADIOACTIVE		212	CURIES		213
<input checked="" type="checkbox"/> a. PURE <input type="checkbox"/> b. MIXTURE <input type="checkbox"/> c. WASTE					<input type="checkbox"/> Yes <input checked="" type="checkbox"/> No						
PHYSICAL STATE: (Check one item only)					214	LARGEST CONTAINER					215
<input type="checkbox"/> a. SOLID <input checked="" type="checkbox"/> b. LIQUID <input type="checkbox"/> c. GAS					51,500						
FED HAZARD CATEGORIES (Check all that apply)										216	
<input type="checkbox"/> a. FIRE <input type="checkbox"/> b. REACTIVE <input checked="" type="checkbox"/> c. PRESSURE RELEASE <input type="checkbox"/> d. ACUTE HEALTH <input type="checkbox"/> e. CHRONIC HEALTH											
AVERAGE DAILY AMOUNT		217	MAXIMUM DAILY AMOUNT		218	ANNUAL WASTE AMOUNT		219	STATE WASTE CODE		220
231,750			291,016			None			N/A		
UNITS* (Check one item only)					221	DAYS ON SITE:					222
<input type="checkbox"/> a. GALLONS <input type="checkbox"/> b. CUBIC FEET <input checked="" type="checkbox"/> c. POUNDS <input type="checkbox"/> d. TONS					*If EHS, amount must be in pounds.					365	
STORAGE CONTAINER		<input checked="" type="checkbox"/> a. ABOVE GROUND TANK		<input type="checkbox"/> e. PLASTIC/NONMETALLIC DRUM		<input type="checkbox"/> i. FIBER DRUM		<input type="checkbox"/> m. GLASS BOTTLE		<input type="checkbox"/> q. RAIL CAR	
		<input type="checkbox"/> b. UNDERGROUND TANK		<input type="checkbox"/> f. CAN		<input type="checkbox"/> j. BAG		<input type="checkbox"/> n. PLASTIC BOTTLE		<input type="checkbox"/> r. OTHER	
		<input type="checkbox"/> c. TANK INSIDE BUILDING		<input type="checkbox"/> g. CARBOY		<input type="checkbox"/> k. BOX		<input type="checkbox"/> o. TOTE BIN			
		<input type="checkbox"/> d. STEEL DRUM		<input type="checkbox"/> h. SILO		<input type="checkbox"/> l. CYLINDER		<input type="checkbox"/> p. TANK WAGON			
STORAGE PRESSURE					224	<input type="checkbox"/> a. AMBIENT <input checked="" type="checkbox"/> b. ABOVE AMBIENT <input type="checkbox"/> c. BELOW AMBIENT					
STORAGE TEMPERATURE					225	<input checked="" type="checkbox"/> a. AMBIENT <input type="checkbox"/> b. ABOVE AMBIENT <input type="checkbox"/> c. BELOW AMBIENT <input type="checkbox"/> d. CRYOGENIC					

%WT.		HAZARDOUS COMPONENT (For mixture or waste only)		EHS		CAS #
1	99.9%	Anhydrous Ammonia		<input checked="" type="checkbox"/> Yes <input type="checkbox"/> No		7664-41-7
2				<input type="checkbox"/> Yes <input type="checkbox"/> No		
3				<input type="checkbox"/> Yes <input type="checkbox"/> No		
4				<input type="checkbox"/> Yes <input type="checkbox"/> No		
5				<input type="checkbox"/> Yes <input type="checkbox"/> No		

If more hazardous components are present at greater than 1% by weight if carcinogenic, attach additional sheets of paper capturing the required information.

ADDITIONALLY LOCALLY COLLECTED INFORMATION

If EPCRA, Please Sign Here

UNIFIED PROGRAM CONSOLIDATED FORM

HAZARDOUS MATERIALS

HAZARDOUS MATERIALS INVENTORY – CHEMICAL DESCRIPTION

(one page per material per building or area)

ADD

DELETE

REVISE

200

Page 1 of 1

I. FACILITY INFORMATION

BUSINESS NAME (Same as FACILITY NAME or DBA – Doing Business As) 3

E. & J. Gallo Winery

CHEMICAL LOCATION 201 CHEMICAL LOCATION CONFIDENTIAL 202

Gas Cylinder Storage area & Portable carts
EPCRA
 YES NO

FACILITY ID #	F A 0 0 0 0 1 0 5	MAP# (optional) 203	GRID# (optional) 204
		6	N/A

II. CHEMICAL INFORMATION

CHEMICAL NAME 205 TRADE SECRET Yes No 206

Argon
If Subject to EPCRA, refer to instructions

COMMON NAME 207 EHS* Yes No 208

Argon/Compressed
CAS# 209
7440-37-1
*If EHS is "Yes", all amounts below must be in lbs.

FIRE CODE HAZARD CLASSES (Complete if required by CUPA) 210

HAZARDOUS MATERIAL TYPE (Check one item only) <input checked="" type="checkbox"/> a. PURE <input type="checkbox"/> b. MIXTURE <input type="checkbox"/> c. WASTE 211	RADIOACTIVE <input type="checkbox"/> Yes <input checked="" type="checkbox"/> No 212	CURIES 213
--	--	---

PHYSICAL STATE: (Check one item only) <input type="checkbox"/> a. SOLID <input type="checkbox"/> b. LIQUID <input checked="" type="checkbox"/> c. GAS 214	LARGEST CONTAINER 215
	124 cf

FED HAZARD CATEGORIES (Check all that apply) a. FIRE b. REACTIVE c. PRESSURE RELEASE d. ACUTE HEALTH e. CHRONIC HEALTH 216

AVERAGE DAILY AMOUNT 217	MAXIMUM DAILY AMOUNT 218	ANNUAL WASTE AMOUNT 219	STATE WASTE CODE 220
2,000	4,000	None	N/A

UNITS* (Check one item only) <input type="checkbox"/> a. GALLONS <input checked="" type="checkbox"/> b. CUBIC FEET <input type="checkbox"/> c. POUNDS <input type="checkbox"/> d. TONS 221 <small>*If EHS, amount must be in pounds.</small>	DAYS ON SITE: 222
	365

STORAGE CONTAINER <input type="checkbox"/> a. ABOVE GROUND TANK <input type="checkbox"/> b. UNDERGROUND TANK <input type="checkbox"/> c. TANK INSIDE BUILDING <input type="checkbox"/> d. STEEL DRUM	<input type="checkbox"/> e. PLASTIC/NONMETALLIC DRUM <input type="checkbox"/> f. CAN <input type="checkbox"/> g. CARBOY <input type="checkbox"/> h. SILO	<input type="checkbox"/> i. FIBER DRUM <input type="checkbox"/> j. BAG <input type="checkbox"/> k. BOX <input checked="" type="checkbox"/> l. CYLINDER	<input type="checkbox"/> m. GLASS BOTTLE <input type="checkbox"/> n. PLASTIC BOTTLE <input type="checkbox"/> o. TOTE BIN <input type="checkbox"/> p. TANK WAGON	<input type="checkbox"/> q. RAIL CAR <input type="checkbox"/> r. OTHER 223
--	---	---	--	---

STORAGE PRESSURE a. AMBIENT b. ABOVE AMBIENT c. BELOW AMBIENT 224

STORAGE TEMPERATURE a. AMBIENT b. ABOVE AMBIENT c. BELOW AMBIENT d. CRYOGENIC 225

%WT.	HAZARDOUS COMPONENT (For mixture or waste only)	EHS	CAS #
1 100% 226	Argon	<input type="checkbox"/> Yes <input checked="" type="checkbox"/> No 228	7440-37-1 229
2 230		<input type="checkbox"/> Yes <input type="checkbox"/> No 232	233 233
3 234		<input type="checkbox"/> Yes <input type="checkbox"/> No 236	237 237
4 238		<input type="checkbox"/> Yes <input type="checkbox"/> No 240	241 241
5 242		<input type="checkbox"/> Yes <input type="checkbox"/> No 244	245 245

If more hazardous components are present at greater than 1% by weight if carcinogenic, attach additional sheets of paper capturing the required information. 246

ADDITIONALLY LOCALLY COLLECTED INFORMATION 246

If EPCRA, Please Sign Here

UNIFIED PROGRAM CONSOLIDATED FORM

HAZARDOUS MATERIALS

HAZARDOUS MATERIALS INVENTORY – CHEMICAL DESCRIPTION

(one page per material per building or area)

ADD

DELETE

REVISE

200

Page 1 of 1

I. FACILITY INFORMATION

BUSINESS NAME (Same as FACILITY NAME or DBA – Doing Business As) 3

E. & J. Gallo Winery

CHEMICAL LOCATION 201 CHEMICAL LOCATION CONFIDENTIAL 202

Storeroom & Cooling Towers YES NO

FACILITY ID #	F	A	0	0	0	0	1	0	5						1	MAP# (optional) 203	GRID# (optional) 204
																3/4/5/6/7	N/A

II. CHEMICAL INFORMATION

CHEMICAL NAME 205 TRADE SECRET Yes No 206

Bromacide

If Subject to EPCRA, refer to instructions

COMMON NAME 207 EHS* Yes No 208

None

CAS# 209 *If EHS is "Yes", all amounts below must be in lbs.

None

FIRE CODE HAZARD CLASSES (Complete if required by CUPA) 210

HAZARDOUS MATERIAL TYPE (Check one item only) a. PURE b. MIXTURE c. WASTE 211 RADIOACTIVE Yes No 212 CURIES 213

PHYSICAL STATE: (Check one item only) a. SOLID b. LIQUID c. GAS 214 LARGEST CONTAINER **50 # Pail** 215

FED HAZARD CATEGORIES (Check all that apply) a. FIRE b. REACTIVE c. PRESSURE RELEASE d. ACUTE HEALTH e. CHRONIC HEALTH 216

AVERAGE DAILY AMOUNT 217	MAXIMUM DAILY AMOUNT 218	ANNUAL WASTE AMOUNT 219	STATE WASTE CODE 220
750	1500	None	N/A

UNITS* (Check one item only) a. GALLONS b. CUBIC FEET c. POUNDS d. TONS 221 DAYS ON SITE: **365** 222

STORAGE CONTAINER	<input type="checkbox"/> a. ABOVE GROUND TANK	<input type="checkbox"/> e. PLASTIC/NONMETALLIC DRUM	<input type="checkbox"/> i. FIBER DRUM	<input type="checkbox"/> m. GLASS BOTTLE	<input type="checkbox"/> q. RAIL CAR
	<input type="checkbox"/> b. UNDERGROUND TANK	<input type="checkbox"/> f. CAN	<input type="checkbox"/> j. BAG	<input type="checkbox"/> n. PLASTIC BOTTLE	<input checked="" type="checkbox"/> r. OTHER Pail
	<input type="checkbox"/> c. TANK INSIDE BUILDING	<input type="checkbox"/> g. CARBOY	<input type="checkbox"/> k. BOX	<input type="checkbox"/> o. TOTE BIN	
	<input type="checkbox"/> d. STEEL DRUM	<input type="checkbox"/> h. SILO	<input type="checkbox"/> l. CYLINDER	<input type="checkbox"/> p. TANK WAGON	

STORAGE PRESSURE a. AMBIENT b. ABOVE AMBIENT c. BELOW AMBIENT 224

STORAGE TEMPERATURE a. AMBIENT b. ABOVE AMBIENT c. BELOW AMBIENT d. CRYOGENIC 225

%WT.	HAZARDOUS COMPONENT (For mixture or waste only)	EHS	CAS #
1 226		<input type="checkbox"/> Yes <input type="checkbox"/> No 228	229
2 230	231	<input type="checkbox"/> Yes <input type="checkbox"/> No 232	233
3 234	235	<input type="checkbox"/> Yes <input type="checkbox"/> No 236	237
4 238	239	<input type="checkbox"/> Yes <input type="checkbox"/> No 240	241
5 242	243	<input type="checkbox"/> Yes <input type="checkbox"/> No 244	245

If more hazardous components are present at greater than 1% by weight if carcinogenic, attach additional sheets of paper capturing the required information.

ADDITIONALLY LOCALLY COLLECTED INFORMATION 246

If EPCRA, Please Sign Here

UNIFIED PROGRAM CONSOLIDATED FORM

HAZARDOUS MATERIALS

HAZARDOUS MATERIALS INVENTORY – CHEMICAL DESCRIPTION

(one page per material per building or area)

ADD DELETE REVISE 200 Page 1 of 1

I. FACILITY INFORMATION

BUSINESS NAME (Same as FACILITY NAME or DBA – Doing Business As) 3
E. & J. Gallo Winery

CHEMICAL LOCATION 201 CHEMICAL LOCATION CONFIDENTIAL 202
 EPCRA
 YES NO

Storage Vessels

FACILITY ID #	F	A	0	0	0	0	1	0	5								1	MAP# (optional) 203	GRID# (optional) 204
																		3, 7	N/A

II. CHEMICAL INFORMATION

CHEMICAL NAME 205 TRADE SECRET Yes No 206
 If Subject to EPCRA, refer to instructions

Ethyl Alcohol

COMMON NAME 207 EHS* Yes No 208

Beverage Alcohol

CAS# 209 *If EHS is "Yes", all amounts below must be in lbs.

64-17-5

FIRE CODE HAZARD CLASSES (Complete if required by CUPA) 210
FLM

HAZARDOUS MATERIAL TYPE (Check one item only) a. PURE b. MIXTURE c. WASTE 211 RADIOACTIVE Yes No 212 CURIES 213

PHYSICAL STATE: (Check one item only) a. SOLID b. LIQUID c. GAS 214 LARGEST CONTAINER 650,000 # 215

FED HAZARD CATEGORIES (Check all that apply) a. FIRE b. REACTIVE c. PRESSURE RELEASE d. ACUTE HEALTH e. CHRONIC HEALTH 216

AVERAGE DAILY AMOUNT 217 MAXIMUM DAILY AMOUNT 218 ANNUAL WASTE AMOUNT 219 STATE WASTE CODE 220

1,500,000 **2,000,000** None **N/A**

UNITS* (Check one item only) a. GALLONS b. CUBIC FEET c. POUNDS d. TONS 221 DAYS ON SITE: 222

365

STORAGE CONTAINER a. ABOVE GROUND TANK e. PLASTIC/NONMETALLIC DRUM i. FIBER DRUM m. GLASS BOTTLE q. RAIL CAR
 b. UNDERGROUND TANK f. CAN j. BAG n. PLASTIC BOTTLE r. OTHER
 c. TANK INSIDE BUILDING g. CARBOY k. BOX o. TOTE BIN
 d. STEEL DRUM h. SILO l. CYLINDER p. TANK WAGON 223

STORAGE PRESSURE a. AMBIENT b. ABOVE AMBIENT c. BELOW AMBIENT 224

STORAGE TEMPERATURE a. AMBIENT b. ABOVE AMBIENT c. BELOW AMBIENT d. CRYOGENIC 225

%WT.	HAZARDOUS COMPONENT (For mixture or waste only)	EHS	CAS #
1 80-95% 226	Ethyl Alcohol	<input checked="" type="checkbox"/> Yes <input type="checkbox"/> No 228	64-17-5 229
2 230	231	<input type="checkbox"/> Yes <input type="checkbox"/> No 232	233
3 234	235	<input type="checkbox"/> Yes <input type="checkbox"/> No 236	237
4 238	239	<input type="checkbox"/> Yes <input type="checkbox"/> No 240	241
5 242	243	<input type="checkbox"/> Yes <input type="checkbox"/> No 244	245

If more hazardous components are present at greater than 1% by weight if carcinogenic, attach additional sheets of paper capturing the required information.

ADDITIONALLY LOCALLY COLLECTED INFORMATION 246

UNIFIED PROGRAM CONSOLIDATED FORM

HAZARDOUS MATERIALS

HAZARDOUS MATERIALS INVENTORY – CHEMICAL DESCRIPTION

(one page per material per building or area)

ADD

DELETE

REVISE

200

Page 1 of 1

I. FACILITY INFORMATION

BUSINESS NAME (Same as FACILITY NAME or DBA – Doing Business As) 3

E. & J. Gallo Winery

CHEMICAL LOCATION 201 CHEMICAL LOCATION CONFIDENTIAL 202

Barreled Chemical Storage Area by Tank 6105 EPCRA YES NO

FACILITY ID #	F	A	0	0	0	0	1	0	5					MAP# (optional) 203	GRID# (optional) 204
														7	N/A

II. CHEMICAL INFORMATION

CHEMICAL NAME 205 TRADE SECRET Yes No 206

Freestone If Subject to EPCRA, refer to instructions

COMMON NAME 207 EHS* Yes No 208

Freestone

CAS# 209 *If EHS is "Yes", all amounts below must be in lbs.

7664-38-2

FIRE CODE HAZARD CLASSES (Complete if required by CUPA) 210

HAZARDOUS MATERIAL TYPE (Check one item only) a. PURE b. MIXTURE c. WASTE 211 RADIOACTIVE Yes No 212 CURIES 213

PHYSICAL STATE: (Check one item only) a. SOLID b. LIQUID c. GAS 214 LARGEST CONTAINER 55 Gals. 215

FED HAZARD CATEGORIES (Check all that apply) a. FIRE b. REACTIVE c. PRESSURE RELEASE d. ACUTE HEALTH e. CHRONIC HEALTH 216

AVERAGE DAILY AMOUNT 217 MAXIMUM DAILY AMOUNT 218 ANNUAL WASTE AMOUNT 219 STATE WASTE CODE 220

110 **220** **None** **N/A**

UNITS* (Check one item only) a. GALLONS b. CUBIC FEET c. POUNDS d. TONS 221 DAYS ON SITE: 222

365

STORAGE CONTAINER a. ABOVE GROUND TANK e. PLASTIC/NONMETALLIC DRUM i. FIBER DRUM m. GLASS BOTTLE q. RAIL CAR b. UNDERGROUND TANK f. CAN j. BAG n. PLASTIC BOTTLE r. OTHER c. TANK INSIDE BUILDING g. CARBOY k. BOX o. TOTE BIN d. STEEL DRUM h. SILO l. CYLINDER p. TANK WAGON 223

STORAGE PRESSURE a. AMBIENT b. ABOVE AMBIENT c. BELOW AMBIENT 224

STORAGE TEMPERATURE a. AMBIENT b. ABOVE AMBIENT c. BELOW AMBIENT d. CRYOGENIC 225

%WT.	HAZARDOUS COMPONENT (For mixture or waste only)	EHS	CAS #
1 226	Phosphoric Acid	<input type="checkbox"/> Yes <input checked="" type="checkbox"/> No 228	229
30-60%			7664-38-2
2 230		<input type="checkbox"/> Yes <input type="checkbox"/> No 232	233
3 234		<input type="checkbox"/> Yes <input type="checkbox"/> No 236	237
4 238		<input type="checkbox"/> Yes <input type="checkbox"/> No 240	241
5 242	<input type="checkbox"/> Yes <input type="checkbox"/> No 244	245	

If more hazardous components are present at greater than 1% by weight if carcinogenic, attach additional sheets of paper capturing the required information.

ADDITIONALLY LOCALLY COLLECTED INFORMATION 246

UNIFIED PROGRAM CONSOLIDATED FORM

HAZARDOUS MATERIALS

HAZARDOUS MATERIALS INVENTORY – CHEMICAL DESCRIPTION

(one page per material per building or area)

ADD DELETE REVISE 200 Page 1 of 1

I. FACILITY INFORMATION

BUSINESS NAME (Same as FACILITY NAME or DBA – Doing Business As) 3												
E. & J. Gallo Winery												
CHEMICAL LOCATION 201					CHEMICAL LOCATION CONFIDENTIAL 202							
Chemical Storage Building by Main Sump					EPCRA <input type="checkbox"/> YES <input checked="" type="checkbox"/> NO							
FACILITY ID #	F	A	0	0	0	0	1	0	5	1	MAP# (optional) 203	GRID# (optional) 204
											4	N/A

II. CHEMICAL INFORMATION

CHEMICAL NAME 205					TRADE SECRET <input type="checkbox"/> Yes <input checked="" type="checkbox"/> No 206				
Carbon					If Subject to EPCRA, refer to instructions				
COMMON NAME 207					EHS* <input type="checkbox"/> Yes <input checked="" type="checkbox"/> No 208				
Carbon									
CAS# 209					*If EHS is "Yes", all amounts below must be in lbs.				
FIRE CODE HAZARD CLASSES (Complete if required by CUPA) 210									
FL									
HAZARDOUS MATERIAL TYPE (Check one item only) <input checked="" type="checkbox"/> a. PURE <input type="checkbox"/> b. MIXTURE <input type="checkbox"/> c. WASTE 211					RADIOACTIVE <input type="checkbox"/> Yes <input checked="" type="checkbox"/> No 212		CURIES 213		
PHYSICAL STATE: (Check one item only) <input checked="" type="checkbox"/> a. SOLID <input type="checkbox"/> b. LIQUID <input type="checkbox"/> c. GAS 214					LARGEST CONTAINER 50# Bags 215				
FED HAZARD CATEGORIES (Check all that apply) <input checked="" type="checkbox"/> a. FIRE <input type="checkbox"/> b. REACTIVE <input type="checkbox"/> c. PRESSURE RELEASE <input type="checkbox"/> d. ACUTE HEALTH <input type="checkbox"/> e. CHRONIC HEALTH 216									
AVERAGE DAILY AMOUNT 217		MAXIMUM DAILY AMOUNT 218		ANNUAL WASTE AMOUNT 219		STATE WASTE CODE 220			
20000		50000		None		N/A			
UNITS* (Check one item only) <input type="checkbox"/> a. GALLONS <input type="checkbox"/> b. CUBIC FEET <input checked="" type="checkbox"/> c. POUNDS <input type="checkbox"/> d. TONS 221					DAYS ON SITE: 365 222				
STORAGE CONTAINER <input type="checkbox"/> a. ABOVE GROUND TANK <input type="checkbox"/> b. UNDERGROUND TANK <input type="checkbox"/> c. TANK INSIDE BUILDING <input type="checkbox"/> d. STEEL DRUM					<input type="checkbox"/> e. PLASTIC/NONMETALLIC DRUM <input type="checkbox"/> f. CAN <input type="checkbox"/> g. CARBOY <input type="checkbox"/> h. SILO				
<input type="checkbox"/> i. FIBER DRUM <input checked="" type="checkbox"/> j. BAG <input type="checkbox"/> k. BOX <input type="checkbox"/> l. CYLINDER					<input type="checkbox"/> m. GLASS BOTTLE <input type="checkbox"/> n. PLASTIC BOTTLE <input type="checkbox"/> o. TOTE BIN <input type="checkbox"/> p. TANK WAGON <input type="checkbox"/> q. RAIL CAR <input type="checkbox"/> r. OTHER 223				
STORAGE PRESSURE <input checked="" type="checkbox"/> a. AMBIENT <input type="checkbox"/> b. ABOVE AMBIENT <input type="checkbox"/> c. BELOW AMBIENT 224									
STORAGE TEMPERATURE <input checked="" type="checkbox"/> a. AMBIENT <input type="checkbox"/> b. ABOVE AMBIENT <input type="checkbox"/> c. BELOW AMBIENT <input type="checkbox"/> d. CRYOGENIC 225									
%WT. 226		HAZARDOUS COMPONENT (For mixture or waste only) 231			EHS <input type="checkbox"/> Yes <input type="checkbox"/> No 228		CAS # 229		
1									
2									
3									
4									
5									
If more hazardous components are present at greater than 1% by weight if carcinogenic, attach additional sheets of paper capturing the required information.									
ADDITIONALLY LOCALLY COLLECTED INFORMATION 246									

If EPCRA, Please Sign Here

UNIFIED PROGRAM CONSOLIDATED FORM

HAZARDOUS MATERIALS

HAZARDOUS MATERIALS INVENTORY – CHEMICAL DESCRIPTION

(one page per material per building or area)

ADD

DELETE

REVISE

200

Page 1 of 1

I. FACILITY INFORMATION

BUSINESS NAME (Same as FACILITY NAME or DBA – Doing Business As) 3

E. & J. Gallo Winery

CHEMICAL LOCATION 201

CHEMICAL LOCATION CONFIDENTIAL 202

Gas Cylinder Storage Area & Portable Carts

EPCRA

YES NO

FACILITY ID #

F A 0 0 0 0 1 0 5

MAP# (optional) 203

6

GRID# (optional) 204

N/A

II. CHEMICAL INFORMATION

CHEMICAL NAME 205

Carbon Dioxide

TRADE SECRET

Yes No 206

If Subject to EPCRA, refer to instructions

COMMON NAME 207

None

EHS*

Yes No 208

CAS# 209

124-38-9

*If EHS is "Yes", all amounts below must be in lbs.

FIRE CODE HAZARD CLASSES (Complete if required by CUPA) 210

HAZARDOUS MATERIAL TYPE (Check one item only)

a. PURE b. MIXTURE c. WASTE 211

RADIOACTIVE Yes No 212

CURIES 213

PHYSICAL STATE:

(Check one item only)

a. SOLID b. LIQUID c. GAS 214

LARGEST CONTAINER 64 # 215

FED HAZARD CATEGORIES

(Check all that apply)

a. FIRE b. REACTIVE c. PRESSURE RELEASE d. ACUTE HEALTH e. CHRONIC HEALTH 216

AVERAGE DAILY AMOUNT 217

384

MAXIMUM DAILY AMOUNT 218

768

ANNUAL WASTE AMOUNT 219

None

STATE WASTE CODE 220

N/A

UNITS*

(Check one item only)

a. GALLONS b. CUBIC FEET c. POUNDS d. TONS 221

*If EHS, amount must be in pounds.

DAYS ON SITE: 222

365

STORAGE CONTAINER

a. ABOVE GROUND TANK e. PLASTIC/NONMETALLIC DRUM i. FIBER DRUM m. GLASS BOTTLE q. RAIL CAR
 b. UNDERGROUND TANK f. CAN j. BAG n. PLASTIC BOTTLE r. OTHER
 c. TANK INSIDE BUILDING g. CARBOY k. BOX o. TOTE BIN
 d. STEEL DRUM h. SILO l. CYLINDER p. TANK WAGON 223

STORAGE PRESSURE

a. AMBIENT b. ABOVE AMBIENT c. BELOW AMBIENT 224

STORAGE TEMPERATURE

a. AMBIENT b. ABOVE AMBIENT c. BELOW AMBIENT d. CRYOGENIC 225

%WT. 226

HAZARDOUS COMPONENT (For mixture or waste only)

EHS

CAS # 229

%WT. 226	HAZARDOUS COMPONENT (For mixture or waste only)	EHS	CAS # 229
1 226		<input type="checkbox"/> Yes <input type="checkbox"/> No 228	229
2 230	231	<input type="checkbox"/> Yes <input type="checkbox"/> No 232	233
3 234	235	<input type="checkbox"/> Yes <input type="checkbox"/> No 236	237
4 238	239	<input type="checkbox"/> Yes <input type="checkbox"/> No 240	241
5 242	243	<input type="checkbox"/> Yes <input type="checkbox"/> No 244	245

If more hazardous components are present at greater than 1% by weight if carcinogenic, attach additional sheets of paper capturing the required information.

ADDITIONALLY LOCALLY COLLECTED INFORMATION 246

If EPCRA, Please Sign Here

UNIFIED PROGRAM CONSOLIDATED FORM

HAZARDOUS MATERIALS

HAZARDOUS MATERIALS INVENTORY – CHEMICAL DESCRIPTION

(one page per material per building or area)

ADD

DELETE

REVISE

200

Page 1 of 1

I. FACILITY INFORMATION

BUSINESS NAME (Same as FACILITY NAME or DBA – Doing Business As) 3

E. & J. Gallo Winery

CHEMICAL LOCATION 201 CHEMICAL LOCATION CONFIDENTIAL 202

Various locations/Yard area

EPCRA
 YES NO

FACILITY ID # 1 MAP# (optional) 203 GRID# (optional) 204

F A 0 0 0 0 1 0 5

Maps 4,5,6,7,8

N/A

II. CHEMICAL INFORMATION

CHEMICAL NAME 205 TRADE SECRET Yes No 206

Chlorine Dioxide

If Subject to EPCRA, refer to instructions

COMMON NAME 207 EHS* Yes No 208

Same as above

CAS# 209 *If EHS is "Yes", all amounts below must be in lbs.

10049-04-4

FIRE CODE HAZARD CLASSES (Complete if required by CUPA) 210

HAZARDOUS MATERIAL TYPE (Check one item only) a. PURE b. MIXTURE c. WASTE 211 RADIOACTIVE Yes No 212 CURIES 213

PHYSICAL STATE: (Check one item only) a. SOLID b. LIQUID c. GAS 214 LARGEST CONTAINER 40 gallons 215

FED HAZARD CATEGORIES (Check all that apply) a. FIRE b. REACTIVE c. PRESSURE RELEASE d. ACUTE HEALTH e. CHRONIC HEALTH 216

AVERAGE DAILY AMOUNT 217 MAXIMUM DAILY AMOUNT 218 ANNUAL WASTE AMOUNT 219 STATE WASTE CODE 220

320 gallons

2,000 gallons

None

N/A

UNITS* a. GALLONS b. CUBIC FEET c. POUNDS d. TONS 221 DAYS ON SITE: 222

(Check one item only)

a. GALLONS

b. CUBIC FEET

c. POUNDS

d. TONS

*If EHS, amount must be in pounds.

365

STORAGE CONTAINER a. ABOVE GROUND TANK e. PLASTIC/NONMETALLIC DRUM i. FIBER DRUM m. GLASS BOTTLE q. RAIL CAR
 b. UNDERGROUND TANK f. CAN j. BAG n. PLASTIC BOTTLE r. OTHER
 c. TANK INSIDE BUILDING g. CARBOY k. BOX o. TOTE BIN
 d. STEEL DRUM h. SILO l. CYLINDER p. TANK WAGON 223

STORAGE PRESSURE a. AMBIENT b. ABOVE AMBIENT c. BELOW AMBIENT 224

STORAGE TEMPERATURE a. AMBIENT b. ABOVE AMBIENT c. BELOW AMBIENT d. CRYOGENIC 225

%WT.	HAZARDOUS COMPONENT (For mixture or waste only)	EHS	CAS #
1 0% - .4%	Chlorine Dioxide	<input type="checkbox"/> Yes <input checked="" type="checkbox"/> No	10049-04-4
2		<input type="checkbox"/> Yes <input type="checkbox"/> No	
3		<input type="checkbox"/> Yes <input type="checkbox"/> No	
4		<input type="checkbox"/> Yes <input type="checkbox"/> No	
5		<input type="checkbox"/> Yes <input type="checkbox"/> No	

If more hazardous components are present at greater than 1% by weight if carcinogenic, attach additional sheets of paper capturing the required information.

ADDITIONALLY LOCALLY COLLECTED INFORMATION 246

UNIFIED PROGRAM CONSOLIDATED FORM

HAZARDOUS MATERIALS INVENTORY – CHEMICAL DESCRIPTION

(one page per material per building or area)

ADD DELETE REVISE 200 Page 1 of 1

I. FACILITY INFORMATION

BUSINESS NAME (Same as FACILITY NAME or DBA – Doing Business As) 3													
CHEMICAL LOCATION 201					CHEMICAL LOCATION CONFIDENTIAL 202								
Lubricant Storage Shed by Gate #12 <input type="checkbox"/> YES <input checked="" type="checkbox"/> NO													
FACILITY ID #		F	A	0	0	0	0	1	0	5	1	MAP# (optional) 203	GRID# (optional) 204
										4	N/A		

II. CHEMICAL INFORMATION

CHEMICAL NAME 205					TRADE SECRET <input type="checkbox"/> Yes <input checked="" type="checkbox"/> No 206								
Stoddard Solvent										If Subject to EPCRA, refer to instructions			
COMMON NAME 207					EHS* <input type="checkbox"/> Yes <input checked="" type="checkbox"/> No 208								
Chevron #325 Solvent													
CAS# 209					*If EHS is "Yes", all amounts below must be in lbs.								
8052-41-3													
FIRE CODE HAZARD CLASSES (Complete if required by CUPA) 210													
FL													
HAZARDOUS MATERIAL TYPE (Check one item only) <input checked="" type="checkbox"/> a. PURE <input type="checkbox"/> b. MIXTURE <input type="checkbox"/> c. WASTE 211					RADIOACTIVE <input type="checkbox"/> Yes <input checked="" type="checkbox"/> No 212		CURIES 213						
PHYSICAL STATE: (Check one item only) <input type="checkbox"/> a. SOLID <input checked="" type="checkbox"/> b. LIQUID <input type="checkbox"/> c. GAS 214					LARGEST CONTAINER 55 Gal Drum 215								
FED HAZARD CATEGORIES (Check all that apply) <input checked="" type="checkbox"/> a. FIRE <input type="checkbox"/> b. REACTIVE <input type="checkbox"/> c. PRESSURE RELEASE <input checked="" type="checkbox"/> d. ACUTE HEALTH <input checked="" type="checkbox"/> e. CHRONIC HEALTH 216													
AVERAGE DAILY AMOUNT 217		MAXIMUM DAILY AMOUNT 218		ANNUAL WASTE AMOUNT 219		STATE WASTE CODE 220							
110		165		None		N/A							
UNITS* (Check one item only) <input checked="" type="checkbox"/> a. GALLONS <input type="checkbox"/> b. CUBIC FEET <input type="checkbox"/> c. POUNDS <input type="checkbox"/> d. TONS 221					DAYS ON SITE: 222								
365													
STORAGE CONTAINER		<input type="checkbox"/> a. ABOVE GROUND TANK		<input type="checkbox"/> e. PLASTIC/NONMETALLIC DRUM		<input type="checkbox"/> i. FIBER DRUM		<input type="checkbox"/> m. GLASS BOTTLE		<input type="checkbox"/> q. RAIL CAR			
		<input type="checkbox"/> b. UNDERGROUND TANK		<input type="checkbox"/> f. CAN		<input type="checkbox"/> j. BAG		<input type="checkbox"/> n. PLASTIC BOTTLE		<input type="checkbox"/> r. OTHER			
		<input type="checkbox"/> c. TANK INSIDE BUILDING		<input type="checkbox"/> g. CARBOY		<input type="checkbox"/> k. BOX		<input type="checkbox"/> o. TOTE BIN					
		<input checked="" type="checkbox"/> d. STEEL DRUM		<input type="checkbox"/> h. SILO		<input type="checkbox"/> l. CYLINDER		<input type="checkbox"/> p. TANK WAGON 223					
STORAGE PRESSURE <input checked="" type="checkbox"/> a. AMBIENT <input type="checkbox"/> b. ABOVE AMBIENT <input type="checkbox"/> c. BELOW AMBIENT 224													
STORAGE TEMPERATURE <input checked="" type="checkbox"/> a. AMBIENT <input type="checkbox"/> b. ABOVE AMBIENT <input type="checkbox"/> c. BELOW AMBIENT <input type="checkbox"/> d. CRYOGENIC 225													
%WT. 226		HAZARDOUS COMPONENT (For mixture or waste only) 231					EHS <input type="checkbox"/> Yes <input type="checkbox"/> No 228		CAS # 229				
1													
2													
3													
4													
5													

If more hazardous components are present at greater than 1% by weight if carcinogenic, attach additional sheets of paper capturing the required information. 246

ADDITIONALLY LOCALLY COLLECTED INFORMATION

UNIFIED PROGRAM CONSOLIDATED FORM

HAZARDOUS MATERIALS

HAZARDOUS MATERIALS INVENTORY – CHEMICAL DESCRIPTION

(one page per material per building or area)

ADD DELETE REVISE 200 Page 1 of 1

I. FACILITY INFORMATION

BUSINESS NAME (Same as FACILITY NAME or DBA – Doing Business As) 3	
E. & J. Gallo Winery	
CHEMICAL LOCATION 201	CHEMICAL LOCATION CONFIDENTIAL 202
Convalt Storage Tank by Gate # 12	
EPCRA <input type="checkbox"/> YES <input checked="" type="checkbox"/> NO	
FACILITY ID #	MAP# (optional) 203 GRID# (optional) 204
F A 0 0 0 0 1 0 5	4 N/A

II. CHEMICAL INFORMATION

CHEMICAL NAME 205	TRADE SECRET <input type="checkbox"/> Yes <input checked="" type="checkbox"/> No 206
Diesel	<small>If Subject to EPCRA, refer to instructions</small>
COMMON NAME 207	EHS* <input type="checkbox"/> Yes <input checked="" type="checkbox"/> No 208
Diesel Fuel # 2	
CAS# 209	*If EHS is "Yes", all amounts below must be in lbs.
64741-44-2	
FIRE CODE HAZARD CLASSES (Complete if required by CUPA) 210	
FL	
HAZARDOUS MATERIAL TYPE (Check one item only) <input checked="" type="checkbox"/> a. PURE <input type="checkbox"/> b. MIXTURE <input type="checkbox"/> c. WASTE 211	RADIOACTIVE <input type="checkbox"/> Yes <input checked="" type="checkbox"/> No 212 CURIES 213
PHYSICAL STATE: (Check one item only) <input type="checkbox"/> a. SOLID <input checked="" type="checkbox"/> b. LIQUID <input type="checkbox"/> c. GAS 214	LARGEST CONTAINER 215
	500 Gal Tank
FED HAZARD CATEGORIES (Check all that apply) <input checked="" type="checkbox"/> a. FIRE <input type="checkbox"/> b. REACTIVE <input type="checkbox"/> c. PRESSURE RELEASE <input checked="" type="checkbox"/> d. ACUTE HEALTH <input checked="" type="checkbox"/> e. CHRONIC HEALTH 216	
AVERAGE DAILY AMOUNT 217	MAXIMUM DAILY AMOUNT 218 ANNUAL WASTE AMOUNT 219 STATE WASTE CODE 220
300	500 None N/A
UNITS* (Check one item only) <input checked="" type="checkbox"/> a. GALLONS <input type="checkbox"/> b. CUBIC FEET <input type="checkbox"/> c. POUNDS <input type="checkbox"/> d. TONS 221	DAYS ON SITE: 222
	365
STORAGE CONTAINER <input checked="" type="checkbox"/> a. ABOVE GROUND TANK <input type="checkbox"/> e. PLASTIC/NONMETALLIC DRUM <input type="checkbox"/> i. FIBER DRUM <input type="checkbox"/> m. GLASS BOTTLE <input type="checkbox"/> q. RAIL CAR	<input type="checkbox"/> b. UNDERGROUND TANK <input type="checkbox"/> f. CAN <input type="checkbox"/> j. BAG <input type="checkbox"/> n. PLASTIC BOTTLE <input type="checkbox"/> r. OTHER
<input type="checkbox"/> c. TANK INSIDE BUILDING <input type="checkbox"/> g. CARBOY <input type="checkbox"/> k. BOX <input type="checkbox"/> o. TOTE BIN	<input type="checkbox"/> d. STEEL DRUM <input type="checkbox"/> h. SILO <input type="checkbox"/> l. CYLINDER <input type="checkbox"/> p. TANK WAGON 223
STORAGE PRESSURE <input checked="" type="checkbox"/> a. AMBIENT <input type="checkbox"/> b. ABOVE AMBIENT <input type="checkbox"/> c. BELOW AMBIENT 224	
STORAGE TEMPERATURE <input checked="" type="checkbox"/> a. AMBIENT <input type="checkbox"/> b. ABOVE AMBIENT <input type="checkbox"/> c. BELOW AMBIENT <input type="checkbox"/> d. CRYOGENIC 225	
%WT. 226	HAZARDOUS COMPONENT (For mixture or waste only) 227 EHS 228 CAS # 229
1	226 231 <input type="checkbox"/> Yes <input type="checkbox"/> No 232 233
2	230 235 <input type="checkbox"/> Yes <input type="checkbox"/> No 236 237
3	234 239 <input type="checkbox"/> Yes <input type="checkbox"/> No 240 241
4	238 243 <input type="checkbox"/> Yes <input type="checkbox"/> No 244 245
5	242

If more hazardous components are present at greater than 1% by weight if carcinogenic, attach additional sheets of paper capturing the required information. 246

ADDITIONALLY LOCALLY COLLECTED INFORMATION

UNIFIED PROGRAM CONSOLIDATED FORM

HAZARDOUS MATERIALS

HAZARDOUS MATERIALS INVENTORY – CHEMICAL DESCRIPTION

(one page per material per building or area)

ADD DELETE REVISE 200 Page 1 of 1

I. FACILITY INFORMATION

BUSINESS NAME (Same as FACILITY NAME or DBA – Doing Business As) 3

E. & J. Gallo Winery

CHEMICAL LOCATION 201 CHEMICAL LOCATION CONFIDENTIAL 202

Paint Storage Area

EPCRA
 YES NO

FACILITY ID # MAP# (optional) 203 GRID# (optional) 204

F A 0 0 0 0 1 0 5 **9** **N/A**

II. CHEMICAL INFORMATION

CHEMICAL NAME 205 TRADE SECRET Yes No 206

Thinner If Subject to EPCRA, refer to instructions

COMMON NAME 207 EHS* Yes No 208

Futura 50 Thinner

CAS# 209 *If EHS is "Yes", all amounts below must be in lbs.

N/A

FIRE CODE HAZARD CLASSES (Complete if required by CUPA) 210

FL

HAZARDOUS MATERIAL TYPE (Check one item only) a. PURE b. MIXTURE c. WASTE 211 RADIOACTIVE Yes No 212 CURIES 213

PHYSICAL STATE: (Check one item only) a. SOLID b. LIQUID c. GAS 214 LARGEST CONTAINER 5 Gal Can 215

FED HAZARD CATEGORIES (Check all that apply) a. FIRE b. REACTIVE c. PRESSURE RELEASE d. ACUTE HEALTH e. CHRONIC HEALTH 216

AVERAGE DAILY AMOUNT 217 MAXIMUM DAILY AMOUNT 218 ANNUAL WASTE AMOUNT 219 STATE WASTE CODE 220

10 **25** **None** **N/A**

UNITS* a. GALLONS b. CUBIC FEET c. POUNDS d. TONS 221 DAYS ON SITE: 222

(Check one item only) *If EHS, amount must be in pounds. **365**

STORAGE CONTAINER a. ABOVE GROUND TANK e. PLASTIC/NONMETALLIC DRUM i. FIBER DRUM m. GLASS BOTTLE q. RAIL CAR
 b. UNDERGROUND TANK f. CAN j. BAG n. PLASTIC BOTTLE r. OTHER
 c. TANK INSIDE BUILDING g. CARBOY k. BOX o. TOTE BIN
 d. STEEL DRUM h. SILO l. CYLINDER p. TANK WAGON 223

STORAGE PRESSURE a. AMBIENT b. ABOVE AMBIENT c. BELOW AMBIENT 224

STORAGE TEMPERATURE a. AMBIENT b. ABOVE AMBIENT c. BELOW AMBIENT d. CRYOGENIC 225

%WT.	HAZARDOUS COMPONENT (For mixture or waste only)	EHS	CAS #
1 1%	Xylol	<input type="checkbox"/> Yes <input checked="" type="checkbox"/> No 228	N/A 229
2 1%	Propylene Glycol Monoethyl-Ether Acetate	<input type="checkbox"/> Yes <input checked="" type="checkbox"/> No 232	N/A 233
3		<input type="checkbox"/> Yes <input type="checkbox"/> No 236	237
4		<input type="checkbox"/> Yes <input type="checkbox"/> No 240	241
5		<input type="checkbox"/> Yes <input type="checkbox"/> No 244	245

If more hazardous components are present at greater than 1% by weight if carcinogenic, attach additional sheets of paper capturing the required information. 246

ADDITIONALLY LOCALLY COLLECTED INFORMATION

UNIFIED PROGRAM CONSOLIDATED FORM

HAZARDOUS MATERIALS

HAZARDOUS MATERIALS INVENTORY – CHEMICAL DESCRIPTION

(one page per material per building or area)

ADD

DELETE

REVISE

200

Page 1 of 1

I. FACILITY INFORMATION

BUSINESS NAME (Same as FACILITY NAME or DBA – Doing Business As) 3

E. & J. Gallo Winery

CHEMICAL LOCATION 201 CHEMICAL LOCATION CONFIDENTIAL 202

Convalt Storage Tank by Gate # 12

EPCRA
 YES NO

FACILITY ID #	F	A	0	0	0	0	1	0	5	1	MAP# (optional)	203	GRID# (optional)	204
											4		N/A	

II. CHEMICAL INFORMATION

CHEMICAL NAME 205 TRADE SECRET Yes No 206

Petroleum Hydrocarbon

If Subject to EPCRA, refer to instructions

COMMON NAME 207 EHS* Yes No 208

Gasoline (RU)(U+)(P)

CAS# 209 *If EHS is "Yes", all amounts below must be in lbs.

8006-61-9

FIRE CODE HAZARD CLASSES (Complete if required by CUPA) 210

HAZARDOUS MATERIAL TYPE (Check one item only) a. PURE b. MIXTURE c. WASTE 211 RADIOACTIVE Yes No 212 CURIES 213

PHYSICAL STATE: (Check one item only) a. SOLID b. LIQUID c. GAS 214 LARGEST CONTAINER 500 Gal Tank 215

FED HAZARD CATEGORIES (Check all that apply) a. FIRE b. REACTIVE c. PRESSURE RELEASE d. ACUTE HEALTH e. CHRONIC HEALTH 216

AVERAGE DAILY AMOUNT 217	MAXIMUM DAILY AMOUNT 218	ANNUAL WASTE AMOUNT 219	STATE WASTE CODE 220
300	500	None	N/A

UNITS* (Check one item only) a. GALLONS b. CUBIC FEET c. POUNDS d. TONS 221 DAYS ON SITE: 222

365

STORAGE CONTAINER a. ABOVE GROUND TANK e. PLASTIC/NONMETALLIC DRUM i. FIBER DRUM m. GLASS BOTTLE q. RAIL CAR
 b. UNDERGROUND TANK f. CAN j. BAG n. PLASTIC BOTTLE r. OTHER
 c. TANK INSIDE BUILDING g. CARBOY k. BOX o. TOTE BIN
 d. STEEL DRUM h. SILO l. CYLINDER p. TANK WAGON 223

STORAGE PRESSURE a. AMBIENT b. ABOVE AMBIENT c. BELOW AMBIENT 224

STORAGE TEMPERATURE a. AMBIENT b. ABOVE AMBIENT c. BELOW AMBIENT d. CRYOGENIC 225

%WT.	HAZARDOUS COMPONENT (For mixture or waste only)	EHS	CAS #
1 89-94%	226 Hydrocarbon W/A BP CF 70F-440F	<input type="checkbox"/> Yes <input checked="" type="checkbox"/> No 228	229
2 0-11%	230 Methyl Tertiary-Butyl Ether	<input type="checkbox"/> Yes <input checked="" type="checkbox"/> No 232	233
3 0-10%	234 Gasoline-Grade Tertiary-butyl Alcohol	<input type="checkbox"/> Yes <input checked="" type="checkbox"/> No 236	237
4	238	<input type="checkbox"/> Yes <input type="checkbox"/> No 240	241
5	242	<input type="checkbox"/> Yes <input type="checkbox"/> No 244	245

If more hazardous components are present at greater than 1% by weight if carcinogenic, attach additional sheets of paper capturing the required information.

ADDITIONALLY LOCALLY COLLECTED INFORMATION 246

If EPCRA, Please Sign Here

UNIFIED PROGRAM CONSOLIDATED FORM

HAZARDOUS MATERIALS

HAZARDOUS MATERIALS INVENTORY – CHEMICAL DESCRIPTION

(one page per material per building or area)

ADD DELETE REVISE 200 Page 1 of 1

I. FACILITY INFORMATION

BUSINESS NAME (Same as FACILITY NAME or DBA – Doing Business As) 3													
E. & J. Gallo Winery													
CHEMICAL LOCATION 201					CHEMICAL LOCATION CONFIDENTIAL 202								
Gas Cylinder Storage Area & Portable Carts <input type="checkbox"/> YES <input checked="" type="checkbox"/> NO													
FACILITY ID #		F	A	0	0	0	0	1	0	5	1	MAP# (optional) 203	GRID# (optional) 204
											6	N/A	

II. CHEMICAL INFORMATION

CHEMICAL NAME 205					TRADE SECRET <input type="checkbox"/> Yes <input checked="" type="checkbox"/> No 206				
Helium					If Subject to EPCRA, refer to instructions				
COMMON NAME 207					EHS* <input type="checkbox"/> Yes <input checked="" type="checkbox"/> No 208				
Helium/Compressed									
CAS# 209					*If EHS is "Yes", all amounts below must be in lbs.				
9440-59-7									
FIRE CODE HAZARD CLASSES (Complete if required by CUPA) 210									
HAZARDOUS MATERIAL TYPE (Check one item only) <input checked="" type="checkbox"/> a. PURE <input type="checkbox"/> b. MIXTURE <input type="checkbox"/> c. WASTE 211					RADIOACTIVE <input type="checkbox"/> Yes <input checked="" type="checkbox"/> No 212		CURIES 213		
PHYSICAL STATE: (Check one item only) <input type="checkbox"/> a. SOLID <input type="checkbox"/> b. LIQUID <input checked="" type="checkbox"/> c. GAS 214					LARGEST CONTAINER 211 cf Cylinder 215				
FED HAZARD CATEGORIES (Check all that apply) <input type="checkbox"/> a. FIRE <input type="checkbox"/> b. REACTIVE <input checked="" type="checkbox"/> c. PRESSURE RELEASE <input type="checkbox"/> d. ACUTE HEALTH <input type="checkbox"/> e. CHRONIC HEALTH 216									
AVERAGE DAILY AMOUNT 217		MAXIMUM DAILY AMOUNT 218		ANNUAL WASTE AMOUNT 219		STATE WASTE CODE 220			
1055		2110		None		N/A			
UNITS* (Check one item only) <input type="checkbox"/> a. GALLONS <input checked="" type="checkbox"/> b. CUBIC FEET <input type="checkbox"/> c. POUNDS <input type="checkbox"/> d. TONS 221					DAYS ON SITE: 365 222				
STORAGE CONTAINER <input type="checkbox"/> a. ABOVE GROUND TANK <input type="checkbox"/> b. UNDERGROUND TANK <input type="checkbox"/> c. TANK INSIDE BUILDING <input type="checkbox"/> d. STEEL DRUM					<input type="checkbox"/> e. PLASTIC/NONMETALLIC DRUM <input type="checkbox"/> f. CAN <input type="checkbox"/> g. CARBOY <input type="checkbox"/> h. SILO <input type="checkbox"/> i. FIBER DRUM <input type="checkbox"/> j. BAG <input type="checkbox"/> k. BOX <input checked="" type="checkbox"/> l. CYLINDER <input type="checkbox"/> m. GLASS BOTTLE <input type="checkbox"/> n. PLASTIC BOTTLE <input type="checkbox"/> o. TOTE BIN <input type="checkbox"/> p. TANK WAGON <input type="checkbox"/> q. RAIL CAR <input type="checkbox"/> r. OTHER				
STORAGE PRESSURE <input type="checkbox"/> a. AMBIENT <input checked="" type="checkbox"/> b. ABOVE AMBIENT <input type="checkbox"/> c. BELOW AMBIENT 224									
STORAGE TEMPERATURE <input checked="" type="checkbox"/> a. AMBIENT <input type="checkbox"/> b. ABOVE AMBIENT <input type="checkbox"/> c. BELOW AMBIENT <input type="checkbox"/> d. CRYOGENIC 225									
%WT. 226		HAZARDOUS COMPONENT (For mixture or waste only) 231			EHS <input type="checkbox"/> Yes <input type="checkbox"/> No 228		CAS # 229		
1									
2									
3									
4									
5									

If more hazardous components are present at greater than 1% by weight if carcinogenic, attach additional sheets of paper capturing the required information.

ADDITIONALLY LOCALLY COLLECTED INFORMATION 246

UNIFIED PROGRAM CONSOLIDATED FORM

HAZARDOUS MATERIALS

HAZARDOUS MATERIALS INVENTORY – CHEMICAL DESCRIPTION

(one page per material per building or area)

ADD

DELETE

REVISE

200

Page 1 of 1

I. FACILITY INFORMATION

BUSINESS NAME (Same as FACILITY NAME or DBA – Doing Business As) 3												
E. & J. Gallo Winery												
CHEMICAL LOCATION 201					CHEMICAL LOCATION CONFIDENTIAL 202							
Various location/Yard area					EPCRA <input type="checkbox"/> YES <input checked="" type="checkbox"/> NO							
FACILITY ID #	F	A	0	0	0	0	1	0	5	1	MAP# (optional) 203	GRID# (optional) 204
										Maps 4,5,6,7		N/A

II. CHEMICAL INFORMATION

CHEMICAL NAME 205					TRADE SECRET <input type="checkbox"/> Yes <input checked="" type="checkbox"/> No 206				
Hydrochloric Acid 7- 26%					If Subject to EPCRA, refer to instructions				
COMMON NAME 207					EHS* <input type="checkbox"/> Yes <input checked="" type="checkbox"/> No 208				
Same as above									
CAS# 209					*If EHS is "Yes", all amounts below must be in lbs.				
7647-01-0									
FIRE CODE HAZARD CLASSES (Complete if required by CUPA) 210									

HAZARDOUS MATERIAL TYPE (Check one item only) <input type="checkbox"/> a. PURE <input checked="" type="checkbox"/> b. MIXTURE <input type="checkbox"/> c. WASTE 211					RADIOACTIVE <input type="checkbox"/> Yes <input checked="" type="checkbox"/> No 212			CURIES 213	
PHYSICAL STATE: (Check one item only) <input type="checkbox"/> a. SOLID <input checked="" type="checkbox"/> b. LIQUID <input type="checkbox"/> c. GAS 214					LARGEST CONTAINER 55 Gallons 215				
FED HAZARD CATEGORIES (Check all that apply) <input type="checkbox"/> a. FIRE <input type="checkbox"/> b. REACTIVE <input type="checkbox"/> c. PRESSURE RELEASE <input type="checkbox"/> d. ACUTE HEALTH <input type="checkbox"/> e. CHRONIC HEALTH 216									
AVERAGE DAILY AMOUNT 217			MAXIMUM DAILY AMOUNT 218			ANNUAL WASTE AMOUNT 219		STATE WASTE CODE 220	
2,000 Gallons			2,500 gallons			None		D002	

UNITS* (Check one item only) <input checked="" type="checkbox"/> a. GALLONS <input type="checkbox"/> b. CUBIC FEET <input type="checkbox"/> c. POUNDS <input type="checkbox"/> d. TONS 221					DAYS ON SITE: 222					
					365					
STORAGE CONTAINER		<input type="checkbox"/> a. ABOVE GROUND TANK		<input checked="" type="checkbox"/> e. PLASTIC/NONMETALLIC DRUM		<input type="checkbox"/> i. FIBER DRUM		<input type="checkbox"/> m. GLASS BOTTLE		<input type="checkbox"/> q. RAIL CAR
		<input type="checkbox"/> b. UNDERGROUND TANK		<input type="checkbox"/> f. CAN		<input type="checkbox"/> j. BAG		<input type="checkbox"/> n. PLASTIC BOTTLE		<input type="checkbox"/> r. OTHER
		<input type="checkbox"/> c. TANK INSIDE BUILDING		<input type="checkbox"/> g. CARBOY		<input type="checkbox"/> k. BOX		<input type="checkbox"/> o. TOTE BIN		
		<input type="checkbox"/> d. STEEL DRUM		<input type="checkbox"/> h. SILO		<input type="checkbox"/> l. CYLINDER		<input type="checkbox"/> p. TANK WAGON		223

STORAGE PRESSURE <input checked="" type="checkbox"/> a. AMBIENT <input type="checkbox"/> b. ABOVE AMBIENT <input type="checkbox"/> c. BELOW AMBIENT 224				
--	--	--	--	--

STORAGE TEMPERATURE <input checked="" type="checkbox"/> a. AMBIENT <input type="checkbox"/> b. ABOVE AMBIENT <input type="checkbox"/> c. BELOW AMBIENT <input type="checkbox"/> d. CRYOGENIC 225				
---	--	--	--	--

%WT.	HAZARDOUS COMPONENT (For mixture or waste only)	EHS	CAS #
1 226	7% - 25% Hydrochloric Acid	<input type="checkbox"/> Yes <input checked="" type="checkbox"/> No 228	7647-01-0 229
2 230	Water 231	<input type="checkbox"/> Yes <input type="checkbox"/> No 232	233
3 234	235	<input type="checkbox"/> Yes <input type="checkbox"/> No 236	237
4 238	239	<input type="checkbox"/> Yes <input type="checkbox"/> No 240	241
5 242	243	<input type="checkbox"/> Yes <input type="checkbox"/> No 244	245

If more hazardous components are present at greater than 1% by weight if carcinogenic, attach additional sheets of paper capturing the required information.

ADDITIONALLY LOCALLY COLLECTED INFORMATION 246

If EPCRA, Please Sign Here

UNIFIED PROGRAM CONSOLIDATED FORM

HAZARDOUS MATERIALS

HAZARDOUS MATERIALS INVENTORY – CHEMICAL DESCRIPTION

(one page per material per building or area)

ADD DELETE REVISE 200 Page 1 of 1

I. FACILITY INFORMATION

BUSINESS NAME (Same as FACILITY NAME or DBA – Doing Business As) 3

E. & J. Gallo Winery

CHEMICAL LOCATION 201 CHEMICAL LOCATION CONFIDENTIAL 202

Gas Cylinder Storage Area \$ Lab area EPCRA
 YES NO

FACILITY ID #	F	A	0	0	0	0	1	0	5					1	MAP# (optional) 203	GRID# (optional) 204
															6	N/A

II. CHEMICAL INFORMATION

CHEMICAL NAME 205 TRADE SECRET Yes No 206

Hydrogen

If Subject to EPCRA, refer to instructions

COMMON NAME 207 EHS* Yes No 208

Hydrogen/Compressed

CAS# 209

1333-74-0

*If EHS is "Yes", all amounts below must be in lbs.

FIRE CODE HAZARD CLASSES (Complete if required by CUPA) 210

HAZARDOUS MATERIAL TYPE (Check one item only) a. PURE b. MIXTURE c. WASTE 211 RADIOACTIVE Yes No 212 CURIES 213

PHYSICAL STATE: (Check one item only) a. SOLID b. LIQUID c. GAS 214 LARGEST CONTAINER **195 cf Cyl** 215

FED HAZARD CATEGORIES (Check all that apply) a. FIRE b. REACTIVE c. PRESSURE RELEASE d. ACUTE HEALTH e. CHRONIC HEALTH 216

AVERAGE DAILY AMOUNT 217	MAXIMUM DAILY AMOUNT 218	ANNUAL WASTE AMOUNT 219	STATE WASTE CODE 220
260	525	None	N/A

UNITS* (Check one item only) a. GALLONS b. CUBIC FEET c. POUNDS d. TONS 221 DAYS ON SITE: **365** 222

STORAGE CONTAINER a. ABOVE GROUND TANK e. PLASTIC/NONMETALLIC DRUM i. FIBER DRUM m. GLASS BOTTLE q. RAIL CAR
 b. UNDERGROUND TANK f. CAN j. BAG n. PLASTIC BOTTLE r. OTHER
 c. TANK INSIDE BUILDING g. CARBOY k. BOX o. TOTE BIN
 d. STEEL DRUM h. SILO l. CYLINDER p. TANK WAGON 223

STORAGE PRESSURE a. AMBIENT b. ABOVE AMBIENT c. BELOW AMBIENT 224

STORAGE TEMPERATURE a. AMBIENT b. ABOVE AMBIENT c. BELOW AMBIENT d. CRYOGENIC 225

%WT. 226	HAZARDOUS COMPONENT (For mixture or waste only) 231	EHS <input type="checkbox"/> Yes <input type="checkbox"/> No 228	CAS # 229
1		<input type="checkbox"/> Yes <input type="checkbox"/> No	229
2		<input type="checkbox"/> Yes <input type="checkbox"/> No	233
3		<input type="checkbox"/> Yes <input type="checkbox"/> No	237
4		<input type="checkbox"/> Yes <input type="checkbox"/> No	241
5		<input type="checkbox"/> Yes <input type="checkbox"/> No	245

If more hazardous components are present at greater than 1% by weight if carcinogenic, attach additional sheets of paper capturing the required information.

ADDITIONALLY LOCALLY COLLECTED INFORMATION 246

UNIFIED PROGRAM CONSOLIDATED FORM

HAZARDOUS MATERIALS

HAZARDOUS MATERIALS INVENTORY – CHEMICAL DESCRIPTION

(one page per material per building or area)

ADD DELETE REVISE 200 Page 1 of 1

I. FACILITY INFORMATION

BUSINESS NAME (Same as FACILITY NAME or DBA – Doing Business As) 3

E. & J. Gallo Winery

CHEMICAL LOCATION 201 CHEMICAL LOCATION CONFIDENTIAL 202

Storeroom EPCRA YES NO

FACILITY ID #	F	A	0	0	0	0	1	0	5						1	MAP# (optional) 203	GRID# (optional) 204
																6	N/A

II. CHEMICAL INFORMATION

CHEMICAL NAME 205 TRADE SECRET Yes No 206

Chlorodifloukomethane

If Subject to EPCRA, refer to instructions

COMMON NAME 207 EHS* Yes No 208

Freon 22 (r-22)

CAS# 209 *If EHS is "Yes", all amounts below must be in lbs.

75-45-6

FIRE CODE HAZARD CLASSES (Complete if required by CUPA) 210

HAZARDOUS MATERIAL TYPE (Check one item only) a. PURE b. MIXTURE c. WASTE 211 RADIOACTIVE Yes No 212 CURIES 213

PHYSICAL STATE: (Check one item only) a. SOLID b. LIQUID c. GAS 214 LARGEST CONTAINER **50 # container** 215

FED HAZARD CATEGORIES (Check all that apply) a. FIRE b. REACTIVE c. PRESSURE RELEASE d. ACUTE HEALTH e. CHRONIC HEALTH 216

AVERAGE DAILY AMOUNT 217	MAXIMUM DAILY AMOUNT 218	ANNUAL WASTE AMOUNT 219	STATE WASTE CODE 220
50	100	NONE	N/A

UNITS* (Check one item only) a. GALLONS b. CUBIC FEET c. POUNDS d. TONS 221 DAYS ON SITE: **365** 222

STORAGE CONTAINER	<input type="checkbox"/> a. ABOVE GROUND TANK	<input type="checkbox"/> e. PLASTIC/NONMETALLIC DRUM	<input type="checkbox"/> i. FIBER DRUM	<input type="checkbox"/> m. GLASS BOTTLE	<input type="checkbox"/> q. RAIL CAR
	<input type="checkbox"/> b. UNDERGROUND TANK	<input type="checkbox"/> f. CAN	<input type="checkbox"/> j. BAG	<input type="checkbox"/> n. PLASTIC BOTTLE	<input type="checkbox"/> r. OTHER
	<input type="checkbox"/> c. TANK INSIDE BUILDING	<input type="checkbox"/> g. CARBOY	<input type="checkbox"/> k. BOX	<input type="checkbox"/> o. TOTE BIN	
	<input type="checkbox"/> d. STEEL DRUM	<input type="checkbox"/> h. SILO	<input checked="" type="checkbox"/> l. CYLINDER	<input type="checkbox"/> p. TANK WAGON	

STORAGE PRESSURE a. AMBIENT b. ABOVE AMBIENT c. BELOW AMBIENT 224

STORAGE TEMPERATURE a. AMBIENT b. ABOVE AMBIENT c. BELOW AMBIENT d. CRYOGENIC 225

%WT.	HAZARDOUS COMPONENT (For mixture or waste only)	EHS	CAS #
1 226		<input type="checkbox"/> Yes <input type="checkbox"/> No 228	229
2 230	231	<input type="checkbox"/> Yes <input type="checkbox"/> No 232	233
3 234	235	<input type="checkbox"/> Yes <input type="checkbox"/> No 236	237
4 238	239	<input type="checkbox"/> Yes <input type="checkbox"/> No 240	241
5 242	243	<input type="checkbox"/> Yes <input type="checkbox"/> No 244	245

If more hazardous components are present at greater than 1% by weight if carcinogenic, attach additional sheets of paper capturing the required information.

ADDITIONALLY LOCALLY COLLECTED INFORMATION 246

UNIFIED PROGRAM CONSOLIDATED FORM

HAZARDOUS MATERIALS

HAZARDOUS MATERIALS INVENTORY – CHEMICAL DESCRIPTION

(one page per material per building or area)

ADD

DELETE

REVISE

200

Page 1 of 1

I. FACILITY INFORMATION

BUSINESS NAME (Same as FACILITY NAME or DBA – Doing Business As) 3

E. & J. Gallo Winery

CHEMICAL LOCATION 201 CHEMICAL LOCATION CONFIDENTIAL 202

Storeroom

EPCRA
 YES NO

FACILITY ID #	F	A	0	0	0	0	1	0	5					1	MAP# (optional) 203	GRID# (optional) 204
															6	N/A

II. CHEMICAL INFORMATION

CHEMICAL NAME 205 TRADE SECRET Yes No 206

Dichlorodifluoromethane

If Subject to EPCRA, refer to instructions

COMMON NAME 207 EHS* Yes No 208

Freon R-12

CAS# 209 *If EHS is "Yes", all amounts below must be in lbs.

75-71-8

FIRE CODE HAZARD CLASSES (Complete if required by CUPA) 210

HAZARDOUS MATERIAL TYPE (Check one item only) <input checked="" type="checkbox"/> a. PURE <input type="checkbox"/> b. MIXTURE <input type="checkbox"/> c. WASTE 211	RADIOACTIVE <input type="checkbox"/> Yes <input checked="" type="checkbox"/> No 212	CURIES 213
--	--	---

PHYSICAL STATE: (Check one item only) <input type="checkbox"/> a. SOLID <input type="checkbox"/> b. LIQUID <input checked="" type="checkbox"/> c. GAS 214	LARGEST CONTAINER 50 # Container 215
--	---

FED HAZARD CATEGORIES (Check all that apply) a. FIRE b. REACTIVE c. PRESSURE RELEASE d. ACUTE HEALTH e. CHRONIC HEALTH 216

AVERAGE DAILY AMOUNT 217	MAXIMUM DAILY AMOUNT 218	ANNUAL WASTE AMOUNT 219	STATE WASTE CODE 220
50	100	None	N/A

UNITS* (Check one item only) <input type="checkbox"/> a. GALLONS <input type="checkbox"/> b. CUBIC FEET <input checked="" type="checkbox"/> c. POUNDS <input type="checkbox"/> d. TONS 221 <small>*If EHS, amount must be in pounds.</small>	DAYS ON SITE: 222
	365

STORAGE CONTAINER <input type="checkbox"/> a. ABOVE GROUND TANK <input type="checkbox"/> b. UNDERGROUND TANK <input type="checkbox"/> c. TANK INSIDE BUILDING <input type="checkbox"/> d. STEEL DRUM	e. PLASTIC/NONMETALLIC DRUM <input type="checkbox"/> f. CAN <input type="checkbox"/> g. CARBOY <input type="checkbox"/> h. SILO	i. FIBER DRUM <input type="checkbox"/> j. BAG <input type="checkbox"/> k. BOX <input checked="" type="checkbox"/> l. CYLINDER	m. GLASS BOTTLE <input type="checkbox"/> n. PLASTIC BOTTLE <input type="checkbox"/> o. TOTE BIN <input type="checkbox"/> p. TANK WAGON	q. RAIL CAR <input type="checkbox"/> r. OTHER <input type="checkbox"/> 223
--	---	---	--	---

STORAGE PRESSURE a. AMBIENT b. ABOVE AMBIENT c. BELOW AMBIENT 224

STORAGE TEMPERATURE a. AMBIENT b. ABOVE AMBIENT c. BELOW AMBIENT d. CRYOGENIC 225

%WT.	HAZARDOUS COMPONENT (For mixture or waste only)	EHS	CAS #
1 226		<input type="checkbox"/> Yes <input type="checkbox"/> No 228	229
2 230	231	<input type="checkbox"/> Yes <input type="checkbox"/> No 232	233
3 234	235	<input type="checkbox"/> Yes <input type="checkbox"/> No 236	237
4 238	239	<input type="checkbox"/> Yes <input type="checkbox"/> No 240	241
5 242	243	<input type="checkbox"/> Yes <input type="checkbox"/> No 244	245

If more hazardous components are present at greater than 1% by weight if carcinogenic, attach additional sheets of paper capturing the required information.

ADDITIONALLY LOCALLY COLLECTED INFORMATION 246

UNIFIED PROGRAM CONSOLIDATED FORM

HAZARDOUS MATERIALS

HAZARDOUS MATERIALS INVENTORY – CHEMICAL DESCRIPTION

(one page per material per building or area)

ADD DELETE REVISE 200 Page 1 of 1

I. FACILITY INFORMATION

BUSINESS NAME (Same as FACILITY NAME or DBA – Doing Business As) 3

E. & J. Gallo Winery

CHEMICAL LOCATION 201 CHEMICAL LOCATION CONFIDENTIAL 202

Storeroom

EPCRA
 YES NO

FACILITY ID #	F	A	0	0	0	0	1	0	5					1	MAP# (optional) 203	GRID# (optional) 204
															6	N/A

II. CHEMICAL INFORMATION

CHEMICAL NAME 205 TRADE SECRET Yes No 206

If Subject to EPCRA, refer to instructions

COMMON NAME 207 EHS* Yes No 208

Freon R134A

CAS# 209

N/A

*If EHS is "Yes", all amounts below must be in lbs.

FIRE CODE HAZARD CLASSES (Complete if required by CUPA) 210

HAZARDOUS MATERIAL TYPE (Check one item only) a. PURE b. MIXTURE c. WASTE 211 RADIOACTIVE Yes No 212 CURIES 213

PHYSICAL STATE: (Check one item only) a. SOLID b. LIQUID c. GAS 214 LARGEST CONTAINER 50 # Container 215

FED HAZARD CATEGORIES (Check all that apply) a. FIRE b. REACTIVE c. PRESSURE RELEASE d. ACUTE HEALTH e. CHRONIC HEALTH 216

AVERAGE DAILY AMOUNT 217	MAXIMUM DAILY AMOUNT 218	ANNUAL WASTE AMOUNT 219	STATE WASTE CODE 220
50	100	None	N/A

UNITS* (Check one item only) a. GALLONS b. CUBIC FEET c. POUNDS d. TONS 221 DAYS ON SITE: 222

*If EHS, amount must be in pounds.

365

STORAGE CONTAINER	<input type="checkbox"/> a. ABOVE GROUND TANK	<input type="checkbox"/> e. PLASTIC/NONMETALLIC DRUM	<input type="checkbox"/> i. FIBER DRUM	<input type="checkbox"/> m. GLASS BOTTLE	<input type="checkbox"/> q. RAIL CAR
	<input type="checkbox"/> b. UNDERGROUND TANK	<input type="checkbox"/> f. CAN	<input type="checkbox"/> j. BAG	<input type="checkbox"/> n. PLASTIC BOTTLE	<input type="checkbox"/> r. OTHER
	<input type="checkbox"/> c. TANK INSIDE BUILDING	<input type="checkbox"/> g. CARBOY	<input type="checkbox"/> k. BOX	<input type="checkbox"/> o. TOTE BIN	
	<input type="checkbox"/> d. STEEL DRUM	<input type="checkbox"/> h. SILO	<input checked="" type="checkbox"/> l. CYLINDER	<input type="checkbox"/> p. TANK WAGON	

STORAGE PRESSURE a. AMBIENT b. ABOVE AMBIENT c. BELOW AMBIENT 224

STORAGE TEMPERATURE a. AMBIENT b. ABOVE AMBIENT c. BELOW AMBIENT d. CRYOGENIC 225

%WT.	HAZARDOUS COMPONENT (For mixture or waste only)	EHS	CAS #
1 226		<input type="checkbox"/> Yes <input type="checkbox"/> No 228	229
2 230	231	<input type="checkbox"/> Yes <input type="checkbox"/> No 232	233
3 234	235	<input type="checkbox"/> Yes <input type="checkbox"/> No 236	237
4 238	239	<input type="checkbox"/> Yes <input type="checkbox"/> No 240	241
5 242	243	<input type="checkbox"/> Yes <input type="checkbox"/> No 244	245

If more hazardous components are present at greater than 1% by weight if carcinogenic, attach additional sheets of paper capturing the required information.

ADDITIONALLY LOCALLY COLLECTED INFORMATION 246

UNIFIED PROGRAM CONSOLIDATED FORM

HAZARDOUS MATERIALS

HAZARDOUS MATERIALS INVENTORY – CHEMICAL DESCRIPTION

(one page per material per building or area)

ADD DELETE REVISE 200 Page 1 of 1

I. FACILITY INFORMATION

BUSINESS NAME (Same as FACILITY NAME or DBA – Doing Business As) 3
E. & J. Gallo Winery

CHEMICAL LOCATION 201 CHEMICAL LOCATION CONFIDENTIAL 202
 EPCRA
 YES NO

Lubricant Storage Area by Gate 12

FACILITY ID # 1 MAP# (optional) 203 GRID# (optional) 204
F A 0 0 0 0 1 0 5 **4** **N/A**

II. CHEMICAL INFORMATION

CHEMICAL NAME 205 TRADE SECRET Yes No 206

Kerosene 207 If Subject to EPCRA, refer to instructions

COMMON NAME 207 EHS* Yes No 208

CAS# 209 *If EHS is "Yes", all amounts below must be in lbs.

FIRE CODE HAZARD CLASSES (Complete if required by CUPA) 210
FL

HAZARDOUS MATERIAL TYPE (Check one item only) a. PURE b. MIXTURE c. WASTE 211 RADIOACTIVE Yes No 212 CURIES 213

PHYSICAL STATE: (Check one item only) a. SOLID b. LIQUID c. GAS 214 LARGEST CONTAINER **55 Gal Drum** 215

FED HAZARD CATEGORIES (Check all that apply) a. FIRE b. REACTIVE c. PRESSURE RELEASE d. ACUTE HEALTH e. CHRONIC HEALTH 216

AVERAGE DAILY AMOUNT 217 MAXIMUM DAILY AMOUNT 218 ANNUAL WASTE AMOUNT 219 STATE WASTE CODE 220
110 **275** None **N/A**

UNITS* (Check one item only) a. GALLONS b. CUBIC FEET c. POUNDS d. TONS 221 DAYS ON SITE: 222
*If EHS, amount must be in pounds. **365**

STORAGE CONTAINER a. ABOVE GROUND TANK e. PLASTIC/NONMETALLIC DRUM i. FIBER DRUM m. GLASS BOTTLE q. RAIL CAR
 b. UNDERGROUND TANK f. CAN j. BAG n. PLASTIC BOTTLE r. OTHER
 c. TANK INSIDE BUILDING g. CARBOY k. BOX o. TOTE BIN
 d. STEEL DRUM h. SILO l. CYLINDER p. TANK WAGON 223

STORAGE PRESSURE a. AMBIENT b. ABOVE AMBIENT c. BELOW AMBIENT 224

STORAGE TEMPERATURE a. AMBIENT b. ABOVE AMBIENT c. BELOW AMBIENT d. CRYOGENIC 225

%WT.	HAZARDOUS COMPONENT (For mixture or waste only)	EHS	CAS #
1 226		<input type="checkbox"/> Yes <input type="checkbox"/> No 228	229
2 230	231	<input type="checkbox"/> Yes <input type="checkbox"/> No 232	233
3 234	235	<input type="checkbox"/> Yes <input type="checkbox"/> No 236	237
4 238	239	<input type="checkbox"/> Yes <input type="checkbox"/> No 240	241
5 242	243	<input type="checkbox"/> Yes <input type="checkbox"/> No 244	245

If more hazardous components are present at greater than 1% by weight if carcinogenic, attach additional sheets of paper capturing the required information.

ADDITIONALLY LOCALLY COLLECTED INFORMATION 246

UNIFIED PROGRAM CONSOLIDATED FORM

HAZARDOUS MATERIALS

HAZARDOUS MATERIALS INVENTORY – CHEMICAL DESCRIPTION

(one page per material per building or area)

ADD DELETE REVISE 200 Page 1 of 1

I. FACILITY INFORMATION

BUSINESS NAME (Same as FACILITY NAME or DBA – Doing Business As) 3

E. & J. Gallo Winery

CHEMICAL LOCATION 201 CHEMICAL LOCATION CONFIDENTIAL 202

Paint Storage Area

EPCRA
 YES NO

FACILITY ID #	F	A	0	0	0	0	1	0	5					1	MAP# (optional) 203	GRID# (optional) 204
															9	N/A

II. CHEMICAL INFORMATION

CHEMICAL NAME 205 TRADE SECRET Yes No 206

Petroleum Hydrocarbon

If Subject to EPCRA, refer to instructions

COMMON NAME 207 EHS* Yes No 208

Lacquer Thinner/Reducer

CAS# 209 *If EHS is "Yes", all amounts below must be in lbs.

FIRE CODE HAZARD CLASSES (Complete if required by CUPA) 210

FL

HAZARDOUS MATERIAL TYPE (Check one item only) a. PURE b. MIXTURE c. WASTE 211 RADIOACTIVE Yes No 212 CURIES 213

PHYSICAL STATE: (Check one item only) a. SOLID b. LIQUID c. GAS 214 LARGEST CONTAINER 55 Gal Drum 215

FED HAZARD CATEGORIES (Check all that apply) a. FIRE b. REACTIVE c. PRESSURE RELEASE d. ACUTE HEALTH e. CHRONIC HEALTH 216

AVERAGE DAILY AMOUNT 217	MAXIMUM DAILY AMOUNT 218	ANNUAL WASTE AMOUNT 219	STATE WASTE CODE 220
55	110	None	N/A

UNITS* (Check one item only) a. GALLONS b. CUBIC FEET c. POUNDS d. TONS 221 DAYS ON SITE: **365** 222

STORAGE CONTAINER a. ABOVE GROUND TANK b. UNDERGROUND TANK c. TANK INSIDE BUILDING d. STEEL DRUM e. PLASTIC/NONMETALLIC DRUM f. CAN g. CARBOY h. SILO i. FIBER DRUM j. BAG k. BOX l. CYLINDER m. GLASS BOTTLE n. PLASTIC BOTTLE o. TOTE BIN p. TANK WAGON q. RAIL CAR r. OTHER 223

STORAGE PRESSURE a. AMBIENT b. ABOVE AMBIENT c. BELOW AMBIENT 224

STORAGE TEMPERATURE a. AMBIENT b. ABOVE AMBIENT c. BELOW AMBIENT d. CRYOGENIC 225

%WT. 226	HAZARDOUS COMPONENT (For mixture or waste only) 231	EHS <input type="checkbox"/> Yes <input type="checkbox"/> No 228	CAS # 229
1		<input type="checkbox"/> Yes <input type="checkbox"/> No	229
2		<input type="checkbox"/> Yes <input type="checkbox"/> No	233
3		<input type="checkbox"/> Yes <input type="checkbox"/> No	237
4		<input type="checkbox"/> Yes <input type="checkbox"/> No	241
5		<input type="checkbox"/> Yes <input type="checkbox"/> No	245

If more hazardous components are present at greater than 1% by weight if carcinogenic, attach additional sheets of paper capturing the required information.

ADDITIONALLY LOCALLY COLLECTED INFORMATION 246

UNIFIED PROGRAM CONSOLIDATED FORM

HAZARDOUS MATERIALS

HAZARDOUS MATERIALS INVENTORY – CHEMICAL DESCRIPTION

(one page per material per building or area)

ADD

DELETE

REVISE

200

Page 1 of 1

I. FACILITY INFORMATION

BUSINESS NAME (Same as FACILITY NAME or DBA – Doing Business As) 3

E. & J. Gallo Winery

CHEMICAL LOCATION 201 CHEMICAL LOCATION CONFIDENTIAL 202

Paint Storage Area

EPCRA

YES NO

FACILITY ID #	F	A	0	0	0	0	1	0	5							MAP# (optional) 203	GRID# (optional) 204
																9	N/A

II. CHEMICAL INFORMATION

CHEMICAL NAME 205 TRADE SECRET Yes No 206

MethylEthylKetone

If Subject to EPCRA, refer to instructions

COMMON NAME 207 EHS* Yes No 208

MEK

CAS# 209

78-93-3 *If EHS is "Yes", all amounts below must be in lbs.

FIRE CODE HAZARD CLASSES (Complete if required by CUPA) 210

FL

HAZARDOUS MATERIAL TYPE (Check one item only) a. PURE b. MIXTURE c. WASTE 211 RADIOACTIVE Yes No 212 CURIES 213

PHYSICAL STATE: (Check one item only) a. SOLID b. LIQUID c. GAS 214 LARGEST CONTAINER 55 Gallon Drum 215

FED HAZARD CATEGORIES (Check all that apply) a. FIRE b. REACTIVE c. PRESSURE RELEASE d. ACUTE HEALTH e. CHRONIC HEALTH 216

AVERAGE DAILY AMOUNT 217 MAXIMUM DAILY AMOUNT 218 ANNUAL WASTE AMOUNT 219 STATE WASTE CODE 220

165 **440** None **N/A**

UNITS* (Check one item only) a. GALLONS b. CUBIC FEET c. POUNDS d. TONS 221 DAYS ON SITE: 222

365

STORAGE CONTAINER a. ABOVE GROUND TANK e. PLASTIC/NONMETALLIC DRUM i. FIBER DRUM m. GLASS BOTTLE q. RAIL CAR b. UNDERGROUND TANK f. CAN j. BAG n. PLASTIC BOTTLE r. OTHER c. TANK INSIDE BUILDING g. CARBOY k. BOX o. TOTE BIN d. STEEL DRUM h. SILO l. CYLINDER p. TANK WAGON 223

STORAGE PRESSURE a. AMBIENT b. ABOVE AMBIENT c. BELOW AMBIENT 224

STORAGE TEMPERATURE a. AMBIENT b. ABOVE AMBIENT c. BELOW AMBIENT d. CRYOGENIC 225

%WT.	HAZARDOUS COMPONENT (For mixture or waste only)	EHS	CAS #
1 226		<input type="checkbox"/> Yes <input type="checkbox"/> No 228	229
2 230	231	<input type="checkbox"/> Yes <input type="checkbox"/> No 232	233
3 234	235	<input type="checkbox"/> Yes <input type="checkbox"/> No 236	237
4 238	239	<input type="checkbox"/> Yes <input type="checkbox"/> No 240	241
5 242	243	<input type="checkbox"/> Yes <input type="checkbox"/> No 244	245

If more hazardous components are present at greater than 1% by weight if carcinogenic, attach additional sheets of paper capturing the required information.

ADDITIONALLY LOCALLY COLLECTED INFORMATION 246

If EPCRA, Please Sign Here

UNIFIED PROGRAM CONSOLIDATED FORM

HAZARDOUS MATERIALS

HAZARDOUS MATERIALS INVENTORY – CHEMICAL DESCRIPTION

(one page per material per building or area)

ADD

DELETE

REVISE

200

Page 1 of 1

I. FACILITY INFORMATION

BUSINESS NAME (Same as FACILITY NAME or DBA – Doing Business As) 3
E. & J. Gallo Winery

CHEMICAL LOCATION 201 Various Locations/Yard area	CHEMICAL LOCATION CONFIDENTIAL 202 EPCRA <input type="checkbox"/> YES <input checked="" type="checkbox"/> NO
--	---

FACILITY ID #	F A 0 0 0 0 1 0 5	MAP# (optional) 203 Maps 4,5,6,7	GRID# (optional) 204 N/A
---------------	--------------------------	---	---

II. CHEMICAL INFORMATION

CHEMICAL NAME 205 Sodium Chlorite	TRADE SECRET <input type="checkbox"/> Yes <input checked="" type="checkbox"/> No 206 <small>If Subject to EPCRA, refer to instructions</small>
--	--

COMMON NAME 207 Same as above	EHS* <input type="checkbox"/> Yes <input checked="" type="checkbox"/> No 208
--	---

CAS# 209 7681-52-9	*If EHS is "Yes", all amounts below must be in lbs.
---	---

FIRE CODE HAZARD CLASSES (Complete if required by CUPA) 210 NF	
---	--

HAZARDOUS MATERIAL TYPE (Check one item only) <input type="checkbox"/> a. PURE <input checked="" type="checkbox"/> b. MIXTURE <input type="checkbox"/> c. WASTE 211	RADIOACTIVE <input type="checkbox"/> Yes <input checked="" type="checkbox"/> No 212	CURIES 213
--	--	---

PHYSICAL STATE: (Check one item only) <input type="checkbox"/> a. SOLID <input checked="" type="checkbox"/> b. LIQUID <input type="checkbox"/> c. GAS 214	LARGEST CONTAINER 350 Gallons 215
--	---

FED HAZARD CATEGORIES (Check all that apply) <input type="checkbox"/> a. FIRE <input checked="" type="checkbox"/> b. REACTIVE <input type="checkbox"/> c. PRESSURE RELEASE <input type="checkbox"/> d. ACUTE HEALTH <input type="checkbox"/> e. CHRONIC HEALTH 216	
---	--

AVERAGE DAILY AMOUNT 217 2,000	MAXIMUM DAILY AMOUNT 218 2,500	ANNUAL WASTE AMOUNT 219 None	STATE WASTE CODE 220 N/A
---	---	---	---

UNITS* (Check one item only) <input checked="" type="checkbox"/> a. GALLONS <input type="checkbox"/> b. CUBIC FEET <input type="checkbox"/> c. POUNDS <input type="checkbox"/> d. TONS 221 <small>*If EHS, amount must be in pounds.</small>	DAYS ON SITE: 222 365
--	--

STORAGE CONTAINER <input type="checkbox"/> a. ABOVE GROUND TANK <input checked="" type="checkbox"/> e. PLASTIC/NONMETALLIC DRUM <input type="checkbox"/> i. FIBER DRUM <input type="checkbox"/> m. GLASS BOTTLE <input type="checkbox"/> q. RAIL CAR <input type="checkbox"/> b. UNDERGROUND TANK <input type="checkbox"/> f. CAN <input type="checkbox"/> j. BAG <input type="checkbox"/> n. PLASTIC BOTTLE <input type="checkbox"/> r. OTHER <input type="checkbox"/> c. TANK INSIDE BUILDING <input type="checkbox"/> g. CARBOY <input type="checkbox"/> k. BOX <input type="checkbox"/> o. TOTE BIN <input type="checkbox"/> d. STEEL DRUM <input type="checkbox"/> h. SILO <input type="checkbox"/> l. CYLINDER <input type="checkbox"/> p. TANK WAGON 223	
--	--

STORAGE PRESSURE <input checked="" type="checkbox"/> a. AMBIENT <input type="checkbox"/> b. ABOVE AMBIENT <input type="checkbox"/> c. BELOW AMBIENT 224	
--	--

STORAGE TEMPERATURE <input checked="" type="checkbox"/> a. AMBIENT <input type="checkbox"/> b. ABOVE AMBIENT <input type="checkbox"/> c. BELOW AMBIENT <input type="checkbox"/> d. CRYOGENIC 225	
---	--

%WT.	HAZARDOUS COMPONENT (For mixture or waste only)	EHS	CAS #
------	---	-----	-------

1 7.5%	226 Sodium Chlorite	228 <input type="checkbox"/> Yes <input checked="" type="checkbox"/> No	229 7758-19-2
2	230	232 <input type="checkbox"/> Yes <input type="checkbox"/> No	233
3	234	236 <input type="checkbox"/> Yes <input type="checkbox"/> No	237
4	238	240 <input type="checkbox"/> Yes <input type="checkbox"/> No	241
5	242	244 <input type="checkbox"/> Yes <input type="checkbox"/> No	245

If more hazardous components are present at greater than 1% by weight if carcinogenic, attach additional sheets of paper capturing the required information.

ADDITIONALLY LOCALLY COLLECTED INFORMATION 246

UNIFIED PROGRAM CONSOLIDATED FORM

HAZARDOUS MATERIALS

HAZARDOUS MATERIALS INVENTORY – CHEMICAL DESCRIPTION

(one page per material per building or area)

ADD

DELETE

REVISE

200

Page 1 of 1

I. FACILITY INFORMATION

BUSINESS NAME (Same as FACILITY NAME or DBA – Doing Business As) 3

E. & J. Gallo Winery

CHEMICAL LOCATION 201

Bulk Storage Tank, south of Wine tank 3045
Another Bulk tank East of Oak Roaster

CHEMICAL LOCATION CONFIDENTIAL 202

EPCRA
 YES NO

FACILITY ID #

F A 0 0 0 0 1 0 5

MAP# (optional) 203

2/6

GRID# (optional) 204

N/A

II. CHEMICAL INFORMATION

CHEMICAL NAME 205

Nitrogen

TRADE SECRET

Yes No 206

If Subject to EPCRA, refer to instructions

COMMON NAME 207

Nitrogen – Liquid

EHS*

Yes No 208

CAS# 209

3727-37-9

*If EHS is "Yes", all amounts below must be in lbs.

FIRE CODE HAZARD CLASSES (Complete if required by CUPA) 210

HAZARDOUS MATERIAL TYPE (Check one item only)

a. PURE b. MIXTURE c. WASTE 211

RADIOACTIVE Yes No 212

CURIES 213

PHYSICAL STATE:

(Check one item only) a. SOLID b. LIQUID c. GAS 214

LARGEST CONTAINER 11,000 Gallons 215

FED HAZARD CATEGORIES

(Check all that apply) a. FIRE b. REACTIVE c. PRESSURE RELEASE d. ACUTE HEALTH e. CHRONIC HEALTH 216

AVERAGE DAILY AMOUNT 217

8000

MAXIMUM DAILY AMOUNT 218

16000

ANNUAL WASTE AMOUNT 219

None

STATE WASTE CODE 220

N/A

UNITS*

a. GALLONS b. CUBIC FEET c. POUNDS d. TONS 221

(Check one item only)

*If EHS, amount must be in pounds.

DAYS ON SITE: 222

365

STORAGE CONTAINER a. ABOVE GROUND TANK b. UNDERGROUND TANK c. TANK INSIDE BUILDING d. STEEL DRUM e. PLASTIC/NONMETALLIC DRUM f. CAN g. CARBOY h. SILO i. FIBER DRUM j. BAG k. BOX l. CYLINDER m. GLASS BOTTLE n. PLASTIC BOTTLE o. TOTE BIN p. TANK WAGON q. RAIL CAR r. OTHER 223

STORAGE PRESSURE

a. AMBIENT b. ABOVE AMBIENT c. BELOW AMBIENT 224

STORAGE TEMPERATURE

a. AMBIENT b. ABOVE AMBIENT c. BELOW AMBIENT d. CRYOGENIC 225

%WT.	HAZARDOUS COMPONENT (For mixture or waste only)	EHS	CAS #
1 226		<input type="checkbox"/> Yes <input type="checkbox"/> No 228	229
2 230	231	<input type="checkbox"/> Yes <input type="checkbox"/> No 232	233
3 234	235	<input type="checkbox"/> Yes <input type="checkbox"/> No 236	237
4 238	239	<input type="checkbox"/> Yes <input type="checkbox"/> No 240	241
5 242	243	<input type="checkbox"/> Yes <input type="checkbox"/> No 244	245

If more hazardous components are present at greater than 1% by weight if carcinogenic, attach additional sheets of paper capturing the required information.

ADDITIONALLY LOCALLY COLLECTED INFORMATION 246

If EPCRA, Please Sign Here

UNIFIED PROGRAM CONSOLIDATED FORM

HAZARDOUS MATERIALS

HAZARDOUS MATERIALS INVENTORY – CHEMICAL DESCRIPTION

(one page per material per building or area)

ADD

DELETE

REVISE

200

Page 1 of 1

I. FACILITY INFORMATION

BUSINESS NAME (Same as FACILITY NAME or DBA – Doing Business As) 3

E. & J. Gallo Winery

CHEMICAL LOCATION 201 CHEMICAL LOCATION CONFIDENTIAL 202

Gas Cylinder Storage Area & Portable carts 1 EPCRA 202
 YES NO

FACILITY ID #	F	A	0	0	0	0	1	0	5						MAP# (optional) 203	GRID# (optional) 204
															6	N/A

II. CHEMICAL INFORMATION

CHEMICAL NAME 205 TRADE SECRET Yes No 206

Nitrogen Gas 207 If Subject to EPCRA, refer to instructions 208

COMMON NAME 207 EHS* Yes No 208

Nitrogen/Compressed 209 *If EHS is "Yes", all amounts below must be in lbs.

CAS# 209

7727-37-9

FIRE CODE HAZARD CLASSES (Complete if required by CUPA) 210

NFG

HAZARDOUS MATERIAL TYPE (Check one item only) a. PURE b. MIXTURE c. WASTE 211 RADIOACTIVE Yes No 212 CURIES 213

PHYSICAL STATE: (Check one item only) a. SOLID b. LIQUID c. GAS 214 LARGEST CONTAINER **165 cf Cylinder** 215

FED HAZARD CATEGORIES (Check all that apply) a. FIRE b. REACTIVE c. PRESSURE RELEASE d. ACUTE HEALTH e. CHRONIC HEALTH 216

AVERAGE DAILY AMOUNT 217 MAXIMUM DAILY AMOUNT 218 ANNUAL WASTE AMOUNT 219 STATE WASTE CODE 220

1500 217 **3000** 218 None 219 **N/A** 220

UNITS* (Check one item only) a. GALLONS b. CUBIC FEET c. POUNDS d. TONS 221 DAYS ON SITE: 222

365 222

STORAGE CONTAINER a. ABOVE GROUND TANK e. PLASTIC/NONMETALLIC DRUM i. FIBER DRUM m. GLASS BOTTLE q. RAIL CAR b. UNDERGROUND TANK f. CAN j. BAG n. PLASTIC BOTTLE r. OTHER c. TANK INSIDE BUILDING g. CARBOY k. BOX o. TOTE BIN d. STEEL DRUM h. SILO l. CYLINDER p. TANK WAGON 223

STORAGE PRESSURE a. AMBIENT b. ABOVE AMBIENT c. BELOW AMBIENT 224

STORAGE TEMPERATURE a. AMBIENT b. ABOVE AMBIENT c. BELOW AMBIENT d. CRYOGENIC 225

%WT.	HAZARDOUS COMPONENT (For mixture or waste only)	EHS	CAS #
1 226		<input type="checkbox"/> Yes <input type="checkbox"/> No 228	229
2 230	231	<input type="checkbox"/> Yes <input type="checkbox"/> No 232	233
3 234	235	<input type="checkbox"/> Yes <input type="checkbox"/> No 236	237
4 238	239	<input type="checkbox"/> Yes <input type="checkbox"/> No 240	241
5 242	243	<input type="checkbox"/> Yes <input type="checkbox"/> No 244	245

If more hazardous components are present at greater than 1% by weight if carcinogenic, attach additional sheets of paper capturing the required information.

ADDITIONALLY LOCALLY COLLECTED INFORMATION 246

UNIFIED PROGRAM CONSOLIDATED FORM

HAZARDOUS MATERIALS

HAZARDOUS MATERIALS INVENTORY – CHEMICAL DESCRIPTION

(one page per material per building or area)

ADD DELETE REVISE 200 Page 1 of 1

I. FACILITY INFORMATION

BUSINESS NAME (Same as FACILITY NAME or DBA – Doing Business As) 3

E. & J. Gallo Winery

CHEMICAL LOCATION 201 CHEMICAL LOCATION CONFIDENTIAL 202

Storeroom & Lubricant Storage Area by Gate #12

EPCRA
 YES NO

FACILITY ID #	F A 0 0 0 0 1 0 5	1	MAP# (optional) 203	GRID# (optional) 204
			4 / 6	N/A

II. CHEMICAL INFORMATION

CHEMICAL NAME 205 TRADE SECRET Yes No 206

Petroleum Hydrocarbons

If Subject to EPCRA, refer to instructions

COMMON NAME 207 EHS* Yes No 208

Oil (Lubricating)

CAS# 209 *If EHS is "Yes", all amounts below must be in lbs.

FIRE CODE HAZARD CLASSES (Complete if required by CUPA) 210

CL

HAZARDOUS MATERIAL TYPE (Check one item only) a. PURE b. MIXTURE c. WASTE 211 RADIOACTIVE Yes No 212 CURIES 213

PHYSICAL STATE: (Check one item only) a. SOLID b. LIQUID c. GAS 214 LARGEST CONTAINER **55 Gal Drum** 215

FED HAZARD CATEGORIES (Check all that apply) a. FIRE b. REACTIVE c. PRESSURE RELEASE d. ACUTE HEALTH e. CHRONIC HEALTH 216

AVERAGE DAILY AMOUNT 217	MAXIMUM DAILY AMOUNT 218	ANNUAL WASTE AMOUNT 219	STATE WASTE CODE 220
1000	2000	None	N/A

UNITS* (Check one item only) a. GALLONS b. CUBIC FEET c. POUNDS d. TONS 221 DAYS ON SITE: **365** 222

STORAGE CONTAINER a. ABOVE GROUND TANK e. PLASTIC/NONMETALLIC DRUM i. FIBER DRUM m. GLASS BOTTLE q. RAIL CAR
 b. UNDERGROUND TANK f. CAN j. BAG n. PLASTIC BOTTLE r. OTHER
 c. TANK INSIDE BUILDING g. CARBOY k. BOX o. TOTE BIN
 d. STEEL DRUM h. SILO l. CYLINDER p. TANK WAGON 223

STORAGE PRESSURE a. AMBIENT b. ABOVE AMBIENT c. BELOW AMBIENT 224

STORAGE TEMPERATURE a. AMBIENT b. ABOVE AMBIENT c. BELOW AMBIENT d. CRYOGENIC 225

%WT.	HAZARDOUS COMPONENT (For mixture or waste only)	EHS	CAS #
1 226		<input type="checkbox"/> Yes <input type="checkbox"/> No 228	229
2 230	231	<input type="checkbox"/> Yes <input type="checkbox"/> No 232	233
3 234	235	<input type="checkbox"/> Yes <input type="checkbox"/> No 236	237
4 238	239	<input type="checkbox"/> Yes <input type="checkbox"/> No 240	241
5 242	243	<input type="checkbox"/> Yes <input type="checkbox"/> No 244	245

If more hazardous components are present at greater than 1% by weight if carcinogenic, attach additional sheets of paper capturing the required information.

ADDITIONALLY LOCALLY COLLECTED INFORMATION 246

If EPCRA, Please Sign Here

UNIFIED PROGRAM CONSOLIDATED FORM

HAZARDOUS MATERIALS

HAZARDOUS MATERIALS INVENTORY – CHEMICAL DESCRIPTION

(one page per material per building or area)

ADD DELETE REVISE 200 Page 1 of 1

I. FACILITY INFORMATION

BUSINESS NAME (Same as FACILITY NAME or DBA – Doing Business As) 3

E. & J. Gallo Winery

CHEMICAL LOCATION 201 CHEMICAL LOCATION CONFIDENTIAL 202

Gas Cylinder Storage Area EPCRA
 YES NO

FACILITY ID #	F	A	0	0	0	0	1	0	5					1	MAP# (optional) 203	GRID# (optional) 204
															6	N/A

II. CHEMICAL INFORMATION

CHEMICAL NAME 205 TRADE SECRET Yes No 206

Oxygen If Subject to EPCRA, refer to instructions

COMMON NAME 207 EHS* Yes No 208

Oxygen/Compressed

CAS# 209 *If EHS is "Yes", all amounts below must be in lbs.

7782-44-7

FIRE CODE HAZARD CLASSES (Complete if required by CUPA) 210

FL

HAZARDOUS MATERIAL TYPE (Check one item only) a. PURE b. MIXTURE c. WASTE 211 RADIOACTIVE Yes No 212 CURIES 213

PHYSICAL STATE: (Check one item only) a. SOLID b. LIQUID c. GAS 214 LARGEST CONTAINER **249 cf Cylinder** 215

FED HAZARD CATEGORIES (Check all that apply) a. FIRE b. REACTIVE c. PRESSURE RELEASE d. ACUTE HEALTH e. CHRONIC HEALTH 216

AVERAGE DAILY AMOUNT 217 MAXIMUM DAILY AMOUNT 218 ANNUAL WASTE AMOUNT 219 STATE WASTE CODE 220

1100 **2250** None **N/A**

UNITS* (Check one item only) a. GALLONS b. CUBIC FEET c. POUNDS d. TONS 221 DAYS ON SITE: 222

365

STORAGE CONTAINER a. ABOVE GROUND TANK e. PLASTIC/NONMETALLIC DRUM i. FIBER DRUM m. GLASS BOTTLE q. RAIL CAR
 b. UNDERGROUND TANK f. CAN j. BAG n. PLASTIC BOTTLE r. OTHER
 c. TANK INSIDE BUILDING g. CARBOY k. BOX o. TOTE BIN
 d. STEEL DRUM h. SILO l. CYLINDER p. TANK WAGON 223

STORAGE PRESSURE a. AMBIENT b. ABOVE AMBIENT c. BELOW AMBIENT 224

STORAGE TEMPERATURE a. AMBIENT b. ABOVE AMBIENT c. BELOW AMBIENT d. CRYOGENIC 225

%WT.	HAZARDOUS COMPONENT (For mixture or waste only)	EHS	CAS #
1 226		<input type="checkbox"/> Yes <input type="checkbox"/> No 228	229
2 230	231	<input type="checkbox"/> Yes <input type="checkbox"/> No 232	233
3 234	235	<input type="checkbox"/> Yes <input type="checkbox"/> No 236	237
4 238	239	<input type="checkbox"/> Yes <input type="checkbox"/> No 240	241
5 242	243	<input type="checkbox"/> Yes <input type="checkbox"/> No 244	245

If more hazardous components are present at greater than 1% by weight if carcinogenic, attach additional sheets of paper capturing the required information.

ADDITIONALLY LOCALLY COLLECTED INFORMATION 246

UNIFIED PROGRAM CONSOLIDATED FORM

HAZARDOUS MATERIALS

HAZARDOUS MATERIALS INVENTORY – CHEMICAL DESCRIPTION

(one page per material per building or area)

X ADD

DELETE

REVISE

200

Page 1 of 1

I. FACILITY INFORMATION

BUSINESS NAME (Same as FACILITY NAME or DBA – Doing Business As) 3

E. & J. Gallo Winery

CHEMICAL LOCATION 201 CHEMICAL LOCATION CONFIDENTIAL 202

West of Tank 6041

EPCRA

YES NO

FACILITY ID # 1 MAP# (optional) 203 GRID# (optional) 204

F A 0 0 0 0 1 0 5 **Map #6**

N/A

II. CHEMICAL INFORMATION

CHEMICAL NAME 205 TRADE SECRET Yes No 206

Potassium Hydroxide

If Subject to EPCRA, refer to instructions

COMMON NAME 207 EHS* Yes No 208

KOH, Liquid Potash

CAS# 209

7732-18-5 *If EHS is "Yes", all amounts below must be in lbs.

FIRE CODE HAZARD CLASSES (Complete if required by CUPA) 210

N/A

HAZARDOUS MATERIAL TYPE (Check one item only) a. PURE b. MIXTURE c. WASTE 211 RADIOACTIVE Yes No 212 CURIES 213

PHYSICAL STATE: (Check one item only) a. SOLID b. LIQUID c. GAS 214

LARGEST CONTAINER 3,000 gallons 215

FED HAZARD CATEGORIES (Check all that apply) a. FIRE b. REACTIVE c. PRESSURE RELEASE d. ACUTE HEALTH e. CHRONIC HEALTH 216

AVERAGE DAILY AMOUNT 217 MAXIMUM DAILY AMOUNT 218 ANNUAL WASTE AMOUNT 219 STATE WASTE CODE 220

2000 gallons

3000 gallons

N/A

N/A

UNITS* X a. GALLONS b. CUBIC FEET c. POUNDS d. TONS 221 DAYS ON SITE: 222

(Check one item only) *If EHS, amount must be in pounds.

365

STORAGE CONTAINER X a. ABOVE GROUND TANK X e. PLASTIC/NONMETALLIC DRUM i. FIBER DRUM m. GLASS BOTTLE q. RAIL CAR

b. UNDERGROUND TANK f. CAN j. BAG n. PLASTIC BOTTLE r. OTHER

c. TANK INSIDE BUILDING g. CARBOY k. BOX o. TOTE BIN

d. STEEL DRUM h. SILO l. CYLINDER p. TANK WAGON 223

STORAGE PRESSURE X a. AMBIENT b. ABOVE AMBIENT c. BELOW AMBIENT 224

STORAGE TEMPERATURE X a. AMBIENT b. ABOVE AMBIENT c. BELOW AMBIENT d. CRYOGENIC 225

%WT.	HAZARDOUS COMPONENT (For mixture or waste only)	EHS	CAS #
1 226 10-51%	Potassium Hydroxide	<input type="checkbox"/> Yes <input checked="" type="checkbox"/> No 228	1310-58-3 229
2 230	Water	<input type="checkbox"/> Yes <input type="checkbox"/> No 232	233
3 234		<input type="checkbox"/> Yes <input type="checkbox"/> No 236	237
4 238		<input type="checkbox"/> Yes <input type="checkbox"/> No 240	241
5 242		<input type="checkbox"/> Yes <input type="checkbox"/> No 244	245

If more hazardous components are present at greater than 1% by weight if carcinogenic, attach additional sheets of paper capturing the required information.

ADDITIONALLY LOCALLY COLLECTED INFORMATION 246

246

246

246

246

246

246

246

246

246

246

246

246

246

246

246

246

246

246

246

246

UNIFIED PROGRAM CONSOLIDATED FORM

HAZARDOUS MATERIALS

HAZARDOUS MATERIALS INVENTORY – CHEMICAL DESCRIPTION

(one page per material per building or area)

ADD DELETE REVISE 200 Page 1 of 1

I. FACILITY INFORMATION

BUSINESS NAME (Same as FACILITY NAME or DBA – Doing Business As) 3												
E. & J. Gallo Winery												
CHEMICAL LOCATION 201					CHEMICAL LOCATION CONFIDENTIAL 202							
Various Locations/Yard Area <input type="checkbox"/> YES <input checked="" type="checkbox"/> NO												
FACILITY ID #	F	A	0	0	0	0	1	0	5	1	MAP# (optional) 203	GRID# (optional) 204
											2, 4, 7, 8,	N/A

II. CHEMICAL INFORMATION

CHEMICAL NAME 205					TRADE SECRET <input type="checkbox"/> Yes <input checked="" type="checkbox"/> No 206		
Potassium Hydroxide Foam					If Subject to EPCRA, refer to instructions		
COMMON NAME 207					EHS* <input type="checkbox"/> Yes <input checked="" type="checkbox"/> No 208		
HD Plus Foam							
CAS# 209					*If EHS is "Yes", all amounts below must be in lbs.		
1310-58-3							
FIRE CODE HAZARD CLASSES (Complete if required by CUPA) 210							
HAZARDOUS MATERIAL TYPE (Check one item only) <input type="checkbox"/> a. PURE <input checked="" type="checkbox"/> b. MIXTURE <input type="checkbox"/> c. WASTE 211					RADIOACTIVE <input type="checkbox"/> Yes <input checked="" type="checkbox"/> No 212		CURIES 213
PHYSICAL STATE: (Check one item only) <input type="checkbox"/> a. SOLID <input checked="" type="checkbox"/> b. LIQUID <input type="checkbox"/> c. GAS 214					LARGEST CONTAINER 350 Gallons 215		
FED HAZARD CATEGORIES (Check all that apply) <input type="checkbox"/> a. FIRE <input type="checkbox"/> b. REACTIVE <input type="checkbox"/> c. PRESSURE RELEASE <input type="checkbox"/> d. ACUTE HEALTH <input type="checkbox"/> e. CHRONIC HEALTH 216							
AVERAGE DAILY AMOUNT 217		MAXIMUM DAILY AMOUNT 218		ANNUAL WASTE AMOUNT 219		STATE WASTE CODE 220	
1,400		2,100		None		N/A	
UNITS* (Check one item only) <input checked="" type="checkbox"/> a. GALLONS <input type="checkbox"/> b. CUBIC FEET <input type="checkbox"/> c. POUNDS <input type="checkbox"/> d. TONS 221					DAYS ON SITE: 365 222		
*If EHS, amount must be in pounds.							
STORAGE CONTAINER <input type="checkbox"/> a. ABOVE GROUND TANK <input type="checkbox"/> b. UNDERGROUND TANK <input type="checkbox"/> c. TANK INSIDE BUILDING <input type="checkbox"/> d. STEEL DRUM		<input checked="" type="checkbox"/> e. PLASTIC/NONMETALLIC DRUM <input type="checkbox"/> f. CAN <input type="checkbox"/> g. CARBOY <input type="checkbox"/> h. SILO		<input type="checkbox"/> i. FIBER DRUM <input type="checkbox"/> j. BAG <input type="checkbox"/> k. BOX <input type="checkbox"/> l. CYLINDER		<input type="checkbox"/> m. GLASS BOTTLE <input type="checkbox"/> n. PLASTIC BOTTLE <input type="checkbox"/> o. TOTE BIN <input type="checkbox"/> p. TANK WAGON <input type="checkbox"/> q. RAIL CAR <input type="checkbox"/> r. OTHER 223	
STORAGE PRESSURE <input checked="" type="checkbox"/> a. AMBIENT <input type="checkbox"/> b. ABOVE AMBIENT <input type="checkbox"/> c. BELOW AMBIENT 224							
STORAGE TEMPERATURE <input checked="" type="checkbox"/> a. AMBIENT <input type="checkbox"/> b. ABOVE AMBIENT <input type="checkbox"/> c. BELOW AMBIENT <input type="checkbox"/> d. CRYOGENIC 225							

%WT.	HAZARDOUS COMPONENT (For mixture or waste only)	EHS	CAS #
1 <20%	Potassium Hydroxide	<input type="checkbox"/> Yes <input checked="" type="checkbox"/> No 228	1310-58-3 229
2		<input type="checkbox"/> Yes <input type="checkbox"/> No 232	233
3		<input type="checkbox"/> Yes <input type="checkbox"/> No 236	237
4		<input type="checkbox"/> Yes <input type="checkbox"/> No 240	241
5		<input type="checkbox"/> Yes <input type="checkbox"/> No 244	245

If more hazardous components are present at greater than 1% by weight if carcinogenic, attach additional sheets of paper capturing the required information.
 ADDITIONALLY LOCALLY COLLECTED INFORMATION 246

UNIFIED PROGRAM CONSOLIDATED FORM

HAZARDOUS MATERIALS

HAZARDOUS MATERIALS INVENTORY – CHEMICAL DESCRIPTION

(one page per material per building or area)

ADD DELETE REVISE 200 Page 1 of 1

I. FACILITY INFORMATION

BUSINESS NAME (Same as FACILITY NAME or DBA – Doing Business As) 3

E. & J. Gallo Winery

CHEMICAL LOCATION 201 CHEMICAL LOCATION CONFIDENTIAL 202

South of Oak Roaster bulk tank

Paint Equipment Storage Area / Various locations (Trap wagons) YES NO

FACILITY ID # **F A 0 0 0 0 1 0 5** MAP# (optional) 203 GRID# (optional) 204

1 / 5 / 9

N/A

II. CHEMICAL INFORMATION

CHEMICAL NAME 205 TRADE SECRET Yes No 206

LPG

If Subject to EPCRA, refer to instructions

COMMON NAME 207 EHS* Yes No 208

Propane

CAS# 209

74-98-6 *If EHS is "Yes", all amounts below must be in lbs.

FIRE CODE HAZARD CLASSES (Complete if required by CUPA) 210

HAZARDOUS MATERIAL TYPE (Check one item only) a. PURE b. MIXTURE c. WASTE 211 RADIOACTIVE Yes No 212 CURIES 213

PHYSICAL STATE: (Check one item only) a. SOLID b. LIQUID c. GAS 214 LARGEST CONTAINER **2000 Gal Tank** 215

FED HAZARD CATEGORIES (Check all that apply) a. FIRE b. REACTIVE c. PRESSURE RELEASE d. ACUTE HEALTH e. CHRONIC HEALTH 216

AVERAGE DAILY AMOUNT 217 MAXIMUM DAILY AMOUNT 218 ANNUAL WASTE AMOUNT 219 STATE WASTE CODE 220

1500 **3500** None **N/A**

UNITS* (Check one item only) a. GALLONS b. CUBIC FEET c. POUNDS d. TONS 221 DAYS ON SITE: 222

*If EHS, amount must be in pounds.

365

STORAGE CONTAINER a. ABOVE GROUND TANK e. PLASTIC/NONMETALLIC DRUM i. FIBER DRUM m. GLASS BOTTLE q. RAIL CAR

b. UNDERGROUND TANK f. CAN j. BAG n. PLASTIC BOTTLE r. OTHER

c. TANK INSIDE BUILDING g. CARBOY k. BOX o. TOTE BIN

d. STEEL DRUM h. SILO l. CYLINDER p. TANK WAGON 223

STORAGE PRESSURE a. AMBIENT b. ABOVE AMBIENT c. BELOW AMBIENT 224

STORAGE TEMPERATURE a. AMBIENT b. ABOVE AMBIENT c. BELOW AMBIENT d. CRYOGENIC 225

%WT.	HAZARDOUS COMPONENT (For mixture or waste only)	EHS	CAS #
1 90%	226 Propane	<input type="checkbox"/> Yes <input checked="" type="checkbox"/> No 228	229 74-98-6
2 5%	230 Propylene	<input type="checkbox"/> Yes <input checked="" type="checkbox"/> No 232	233 115-07-01
3 2.5%	234 Butanes	<input type="checkbox"/> Yes <input checked="" type="checkbox"/> No 236	237 106-97-8
4 <1%	238 Ethyl Mercaptan	<input type="checkbox"/> Yes <input checked="" type="checkbox"/> No 240	241 N/A
5	242	<input type="checkbox"/> Yes <input type="checkbox"/> No 244	245

If more hazardous components are present at greater than 1% by weight if carcinogenic, attach additional sheets of paper capturing the required information. 246

ADDITIONALLY LOCALLY COLLECTED INFORMATION 246

If EPCRA, Please Sign Here

UNIFIED PROGRAM CONSOLIDATED FORM

HAZARDOUS MATERIALS

HAZARDOUS MATERIALS INVENTORY – CHEMICAL DESCRIPTION

(one page per material per building or area)

ADD

DELETE

REVISE

200

Page 1 of 1

I. FACILITY INFORMATION

BUSINESS NAME (Same as FACILITY NAME or DBA – Doing Business As) 3

E. & J. Gallo Winery

CHEMICAL LOCATION 201 CHEMICAL LOCATION CONFIDENTIAL 202

Barreled Chemical Storage Area by Tank 6105
EPCRA
 YES NO

FACILITY ID #	F	A	0	0	0	0	1	0	5							1	MAP# (optional) 203	GRID# (optional) 204
																	7	N/A

II. CHEMICAL INFORMATION

CHEMICAL NAME 205 TRADE SECRET Yes No 206

STEROX-K

If Subject to EPCRA, refer to instructions

COMMON NAME 207 Sodium Percarbonate, Trisodium Phosphate 208

CAS# 209 *If EHS is "Yes", all amounts below must be in lbs.

FIRE CODE HAZARD CLASSES (Complete if required by CUPA) 210

HAZARDOUS MATERIAL TYPE (Check one item only) a. PURE b. MIXTURE c. WASTE 211 RADIOACTIVE Yes No 212 CURIES 213

PHYSICAL STATE: (Check one item only) a. SOLID b. LIQUID c. GAS 214 LARGEST CONTAINER **50#** 215

FED HAZARD CATEGORIES (Check all that apply) a. FIRE b. REACTIVE c. PRESSURE RELEASE d. ACUTE HEALTH e. CHRONIC HEALTH 216

AVERAGE DAILY AMOUNT 217	MAXIMUM DAILY AMOUNT 218	ANNUAL WASTE AMOUNT 219	STATE WASTE CODE 220
4,000	6,0000	None	N/A

UNITS* (Check one item only) a. GALLONS b. CUBIC FEET c. POUNDS d. TONS 221 DAYS ON SITE: **365** 222
*If EHS, amount must be in pounds.

STORAGE CONTAINER a. ABOVE GROUND TANK e. PLASTIC/NONMETALLIC DRUM i. FIBER DRUM m. GLASS BOTTLE q. RAIL CAR
 b. UNDERGROUND TANK f. CAN j. BAG n. PLASTIC BOTTLE r. OTHER
 c. TANK INSIDE BUILDING g. CARBOY k. BOX o. TOTE BIN
 d. STEEL DRUM h. SILO l. CYLINDER p. TANK WAGON 223

STORAGE PRESSURE a. AMBIENT b. ABOVE AMBIENT c. BELOW AMBIENT 224

STORAGE TEMPERATURE a. AMBIENT b. ABOVE AMBIENT c. BELOW AMBIENT d. CRYOGENIC 225

%WT.	HAZARDOUS COMPONENT (For mixture or waste only)	EHS	CAS #
1 226		<input type="checkbox"/> Yes <input type="checkbox"/> No 228	229
2 230	231	<input type="checkbox"/> Yes <input type="checkbox"/> No 232	233
3 234	235	<input type="checkbox"/> Yes <input type="checkbox"/> No 236	237
4 238	239	<input type="checkbox"/> Yes <input type="checkbox"/> No 240	241
5 242	243	<input type="checkbox"/> Yes <input type="checkbox"/> No 244	245

If more hazardous components are present at greater than 1% by weight if carcinogenic, attach additional sheets of paper capturing the required information.

ADDITIONALLY LOCALLY COLLECTED INFORMATION 246

If EPCRA, Please Sign Here

UNIFIED PROGRAM CONSOLIDATED FORM

HAZARDOUS MATERIALS

HAZARDOUS MATERIALS INVENTORY – CHEMICAL DESCRIPTION

(one page per material per building or area)

ADD

DELETE

REVISE

200

Page 1 of 1

I. FACILITY INFORMATION

BUSINESS NAME (Same as FACILITY NAME or DBA – Doing Business As) 3

E. & J. Gallo Winery

CHEMICAL LOCATION 201 CHEMICAL LOCATION CONFIDENTIAL 202

Storage Tank East of Process Building
EPCRA YES NO

FACILITY ID #	F	A	0	0	0	0	1	0	5							1	MAP# (optional) 203	GRID# (optional) 204
																	6	N/A

II. CHEMICAL INFORMATION

CHEMICAL NAME 205 TRADE SECRET Yes No 206

Sulfuric Acid

If Subject to EPCRA, refer to instructions

COMMON NAME 207 EHS* Yes No 208

CAS# 209

7664-93-9 209

*If EHS is "Yes", all amounts below must be in lbs.

FIRE CODE HAZARD CLASSES (Complete if required by CUPA) 210

HAZARDOUS MATERIAL TYPE (Check one item only) <input checked="" type="checkbox"/> a. PURE <input type="checkbox"/> b. MIXTURE <input type="checkbox"/> c. WASTE 211	RADIOACTIVE <input type="checkbox"/> Yes <input checked="" type="checkbox"/> No 212	CURIES 213
--	--	---

PHYSICAL STATE: (Check one item only) <input type="checkbox"/> a. SOLID <input checked="" type="checkbox"/> b. LIQUID <input type="checkbox"/> c. GAS 214	LARGEST CONTAINER 6500 Gallons 215
--	---

FED HAZARD CATEGORIES (Check all that apply) a. FIRE b. REACTIVE c. PRESSURE RELEASE d. ACUTE HEALTH e. CHRONIC HEALTH 216

AVERAGE DAILY AMOUNT 217	MAXIMUM DAILY AMOUNT 218	ANNUAL WASTE AMOUNT 219	STATE WASTE CODE 220
3000	6500	None	N/A

UNITS* (Check one item only) <input checked="" type="checkbox"/> a. GALLONS <input type="checkbox"/> b. CUBIC FEET <input type="checkbox"/> c. POUNDS <input type="checkbox"/> d. TONS 221 <small>*If EHS, amount must be in pounds.</small>	DAYS ON SITE: 222
	365

STORAGE CONTAINER <input checked="" type="checkbox"/> a. ABOVE GROUND TANK <input type="checkbox"/> b. UNDERGROUND TANK <input type="checkbox"/> c. TANK INSIDE BUILDING <input type="checkbox"/> d. STEEL DRUM	<input type="checkbox"/> e. PLASTIC/NONMETALLIC DRUM <input type="checkbox"/> f. CAN <input type="checkbox"/> g. CARBOY <input type="checkbox"/> h. SILO	<input type="checkbox"/> i. FIBER DRUM <input type="checkbox"/> j. BAG <input type="checkbox"/> k. BOX <input type="checkbox"/> l. CYLINDER	<input type="checkbox"/> m. GLASS BOTTLE <input type="checkbox"/> n. PLASTIC BOTTLE <input type="checkbox"/> o. TOTE BIN <input type="checkbox"/> p. TANK WAGON	<input type="checkbox"/> q. RAIL CAR <input type="checkbox"/> r. OTHER	
---	---	--	--	---	--

STORAGE PRESSURE a. AMBIENT b. ABOVE AMBIENT c. BELOW AMBIENT 224

STORAGE TEMPERATURE a. AMBIENT b. ABOVE AMBIENT c. BELOW AMBIENT d. CRYOGENIC 225

%WT.	HAZARDOUS COMPONENT (For mixture or waste only)	EHS	CAS #
1 226		<input type="checkbox"/> Yes <input type="checkbox"/> No 228	229
2 230	231	<input type="checkbox"/> Yes <input type="checkbox"/> No 232	233
3 234	235	<input type="checkbox"/> Yes <input type="checkbox"/> No 236	237
4 238	239	<input type="checkbox"/> Yes <input type="checkbox"/> No 240	241
5 242	243	<input type="checkbox"/> Yes <input type="checkbox"/> No 244	245

If more hazardous components are present at greater than 1% by weight if carcinogenic, attach additional sheets of paper capturing the required information.

ADDITIONALLY LOCALLY COLLECTED INFORMATION 246

UNIFIED PROGRAM CONSOLIDATED FORM
 HAZARDOUS MATERIALS
 HAZARDOUS MATERIALS INVENTORY – CHEMICAL DESCRIPTION
 (one page per material per building or area)

ADD DELETE REVISE 200 Page 1 of 1

I. FACILITY INFORMATION

BUSINESS NAME (Same as FACILITY NAME or DBA – Doing Business As) 3	
E. & J. Gallo Winery	
CHEMICAL LOCATION 201 1 tons by tank 3525 and tank 3429 Bulk Storage Tank West of Tank 1026	CHEMICAL LOCATION CONFIDENTIAL 202 EPCRA <input type="checkbox"/> YES <input checked="" type="checkbox"/> NO
FACILITY ID # F A 0 0 0 0 1 0 5	MAP# (optional) 203 2, 4, 6, 8, 9 GRID# (optional) 204 None

II. CHEMICAL INFORMATION

CHEMICAL NAME 205 Sulfur Dioxide	TRADE SECRET 206 <input type="checkbox"/> Yes <input checked="" type="checkbox"/> No If Subject to EPCRA, refer to instructions
COMMON NAME 207 NONE	EHS* 208 <input checked="" type="checkbox"/> Yes <input type="checkbox"/> No
CAS# 209 7446-09-5	*If EHS is "Yes", all amounts below must be in lbs.
FIRE CODE HAZARD CLASSES (Complete if required by CUPA) 210 COR-NFG	
HAZARDOUS MATERIAL TYPE (Check one item only) 211 <input checked="" type="checkbox"/> a. PURE <input type="checkbox"/> b. MIXTURE <input type="checkbox"/> c. WASTE	RADIOACTIVE 212 <input type="checkbox"/> Yes <input checked="" type="checkbox"/> No
PHYSICAL STATE: (Check one item only) 214 <input type="checkbox"/> a. SOLID <input checked="" type="checkbox"/> b. LIQUID <input checked="" type="checkbox"/> c. GAS	CURIES 213 LARGEST CONTAINER 215 55,970
FED HAZARD CATEGORIES (Check all that apply) 216 <input type="checkbox"/> a. FIRE <input type="checkbox"/> b. REACTIVE <input checked="" type="checkbox"/> c. PRESSURE RELEASE <input type="checkbox"/> d. ACUTE HEALTH <input type="checkbox"/> e. CHRONIC HEALTH	
AVERAGE DAILY AMOUNT 217 35,000	MAXIMUM DAILY AMOUNT 218 55,970
ANNUAL WASTE AMOUNT 219 None	STATE WASTE CODE 220 N/A
UNITS* (Check one item only) 221 <input type="checkbox"/> a. GALLONS <input type="checkbox"/> b. CUBIC FEET <input checked="" type="checkbox"/> c. POUNDS <input type="checkbox"/> d. TONS *If EHS, amount must be in pounds.	DAYS ON SITE: 222 365
STORAGE CONTAINER 223 <input checked="" type="checkbox"/> a. ABOVE GROUND TANK <input type="checkbox"/> b. UNDERGROUND TANK <input type="checkbox"/> c. TANK INSIDE BUILDING <input type="checkbox"/> d. STEEL DRUM <input type="checkbox"/> e. PLASTIC/NONMETALLIC DRUM <input type="checkbox"/> f. CAN <input type="checkbox"/> g. CARBOY <input type="checkbox"/> h. SILO <input type="checkbox"/> i. FIBER DRUM <input type="checkbox"/> j. BAG <input type="checkbox"/> k. BOX <input type="checkbox"/> l. CYLINDER <input type="checkbox"/> m. GLASS BOTTLE <input type="checkbox"/> n. PLASTIC BOTTLE <input type="checkbox"/> o. TOTE BIN <input type="checkbox"/> p. TANK WAGON <input type="checkbox"/> q. RAIL CAR <input type="checkbox"/> r. OTHER	
STORAGE PRESSURE 224 <input type="checkbox"/> a. AMBIENT <input checked="" type="checkbox"/> b. ABOVE AMBIENT <input type="checkbox"/> c. BELOW AMBIENT	
STORAGE TEMPERATURE 225 <input checked="" type="checkbox"/> a. AMBIENT <input type="checkbox"/> b. ABOVE AMBIENT <input type="checkbox"/> c. BELOW AMBIENT <input type="checkbox"/> d. CRYOGENIC	
%WT. 226	HAZARDOUS COMPONENT (For mixture or waste only) 231
1 100%	Sulfur Dioxide
	EHS 228 <input checked="" type="checkbox"/> Yes <input type="checkbox"/> No
	CAS # 229 7446-09-5
2 230	231 <input type="checkbox"/> Yes <input type="checkbox"/> No 232
3 234	235 <input type="checkbox"/> Yes <input type="checkbox"/> No 236
4 238	239 <input type="checkbox"/> Yes <input type="checkbox"/> No 240
5 242	243 <input type="checkbox"/> Yes <input type="checkbox"/> No 244

If more hazardous components are present at greater than 1% by weight if carcinogenic, attach additional sheets of paper capturing the required information.
 ADDITIONALLY LOCALLY COLLECTED INFORMATION 246

UNIFIED PROGRAM CONSOLIDATED FORM

HAZARDOUS MATERIALS

HAZARDOUS MATERIALS INVENTORY – CHEMICAL DESCRIPTION

(one page per material per building or area)

ADD DELETE REVISE 200 Page 1 of 1

I. FACILITY INFORMATION

BUSINESS NAME (Same as FACILITY NAME or DBA – Doing Business As) 3

E. & J. Gallo Winery

CHEMICAL LOCATION 201 CHEMICAL LOCATION CONFIDENTIAL 202

Paint Storage Area

EPCRA
 YES NO

FACILITY ID #	F	A	0	0	0	0	1	0	5						1	MAP# (optional) 203	GRID# (optional) 204
																9	N/A

II. CHEMICAL INFORMATION

CHEMICAL NAME 205 TRADE SECRET Yes No 206

Toluene

If Subject to EPCRA, refer to instructions

COMMON NAME 207 EHS* Yes No 208

CAS# 209 *If EHS is "Yes", all amounts below must be in lbs.

FIRE CODE HAZARD CLASSES (Complete if required by CUPA) 210

HAZARDOUS MATERIAL TYPE (Check one item only) <input checked="" type="checkbox"/> a. PURE <input type="checkbox"/> b. MIXTURE <input type="checkbox"/> c. WASTE 211	RADIOACTIVE <input type="checkbox"/> Yes <input checked="" type="checkbox"/> No 212	CURIES 213
--	--	---

PHYSICAL STATE: (Check one item only) <input type="checkbox"/> a. SOLID <input checked="" type="checkbox"/> b. LIQUID <input type="checkbox"/> c. GAS 214	LARGEST CONTAINER 55 Gal Drum 215
--	---

FED HAZARD CATEGORIES (Check all that apply) a. FIRE b. REACTIVE c. PRESSURE RELEASE d. ACUTE HEALTH e. CHRONIC HEALTH 216

AVERAGE DAILY AMOUNT 217	MAXIMUM DAILY AMOUNT 218	ANNUAL WASTE AMOUNT 219	STATE WASTE CODE 220
55	110	None	N/A

UNITS* (Check one item only) <input checked="" type="checkbox"/> a. GALLONS <input type="checkbox"/> b. CUBIC FEET <input type="checkbox"/> c. POUNDS <input type="checkbox"/> d. TONS 221 <small>*If EHS, amount must be in pounds.</small>	DAYS ON SITE: 222
	365

STORAGE CONTAINER <input type="checkbox"/> a. ABOVE GROUND TANK <input type="checkbox"/> b. UNDERGROUND TANK <input type="checkbox"/> c. TANK INSIDE BUILDING <input checked="" type="checkbox"/> d. STEEL DRUM	e. PLASTIC/NONMETALLIC DRUM <input type="checkbox"/> f. CAN <input type="checkbox"/> g. CARBOY <input type="checkbox"/> h. SILO	i. FIBER DRUM <input type="checkbox"/> j. BAG <input type="checkbox"/> k. BOX <input type="checkbox"/> l. CYLINDER <input type="checkbox"/> m. GLASS BOTTLE <input type="checkbox"/> n. PLASTIC BOTTLE <input type="checkbox"/> o. TOTE BIN <input type="checkbox"/> p. TANK WAGON	q. RAIL CAR <input type="checkbox"/> r. OTHER <input type="checkbox"/> 223
---	---	--	---

STORAGE PRESSURE a. AMBIENT b. ABOVE AMBIENT c. BELOW AMBIENT 224

STORAGE TEMPERATURE a. AMBIENT b. ABOVE AMBIENT c. BELOW AMBIENT d. CRYOGENIC 225

%WT.	HAZARDOUS COMPONENT (For mixture or waste only)	EHS	CAS #
1 226		<input type="checkbox"/> Yes <input type="checkbox"/> No 228	229
2 230	231	<input type="checkbox"/> Yes <input type="checkbox"/> No 232	233
3 234	235	<input type="checkbox"/> Yes <input type="checkbox"/> No 236	237
4 238	239	<input type="checkbox"/> Yes <input type="checkbox"/> No 240	241
5 242	243	<input type="checkbox"/> Yes <input type="checkbox"/> No 244	245

If more hazardous components are present at greater than 1% by weight if carcinogenic, attach additional sheets of paper capturing the required information.

ADDITIONALLY LOCALLY COLLECTED INFORMATION 246

UNIFIED PROGRAM CONSOLIDATED FORM

HAZARDOUS MATERIALS

HAZARDOUS MATERIALS INVENTORY – CHEMICAL DESCRIPTION

(one page per material per building or area)

ADD DELETE REVISE 200 Page 1 of 1

I. FACILITY INFORMATION

BUSINESS NAME (Same as FACILITY NAME or DBA – Doing Business As) 3

E. & J. Gallo Winery

CHEMICAL LOCATION 201 CHEMICAL LOCATION CONFIDENTIAL 202

Polyurethane Storage Vessel EPCRA
 YES NO

FACILITY ID # MAP# (optional) 203 GRID# (optional) 204

F A 0 0 0 0 1 0 5 **4** **N/A**

II. CHEMICAL INFORMATION

CHEMICAL NAME 205 TRADE SECRET Yes No 206

Tartaric Acid Solution

If Subject to EPCRA, refer to instructions

COMMON NAME 207 EHS* Yes No 208

None

CAS# 209 *If EHS is "Yes", all amounts below must be in lbs.

87-69-4

FIRE CODE HAZARD CLASSES (Complete if required by CUPA) 210

COR-NF

HAZARDOUS MATERIAL TYPE (Check one item only) a. PURE b. MIXTURE c. WASTE 211 RADIOACTIVE Yes No 212 CURIES 213

PHYSICAL STATE: (Check one item only) a. SOLID b. LIQUID c. GAS 214 LARGEST CONTAINER 8,700 Gals 215

FED HAZARD CATEGORIES (Check all that apply) a. FIRE b. REACTIVE c. PRESSURE RELEASE d. ACUTE HEALTH e. CHRONIC HEALTH 216

AVERAGE DAILY AMOUNT 217 MAXIMUM DAILY AMOUNT 218 ANNUAL WASTE AMOUNT 219 STATE WASTE CODE 220

6,000 **8,000** None **N/A**

UNITS* a. GALLONS b. CUBIC FEET c. POUNDS d. TONS 221 DAYS ON SITE: 222

(Check one item only) *If EHS, amount must be in pounds. **365**

STORAGE CONTAINER a. ABOVE GROUND TANK e. PLASTIC/NONMETALLIC DRUM i. FIBER DRUM m. GLASS BOTTLE q. RAIL CAR

b. UNDERGROUND TANK f. CAN j. BAG n. PLASTIC BOTTLE r. OTHER

c. TANK INSIDE BUILDING g. CARBOY k. BOX o. TOTE BIN

d. STEEL DRUM h. SILO l. CYLINDER p. TANK WAGON 223

STORAGE PRESSURE a. AMBIENT b. ABOVE AMBIENT c. BELOW AMBIENT 224

STORAGE TEMPERATURE a. AMBIENT b. ABOVE AMBIENT c. BELOW AMBIENT d. CRYOGENIC 225

%WT.	HAZARDOUS COMPONENT (For mixture or waste only)	EHS	CAS #
1 49% 226	Tartaric Acid Solution	<input type="checkbox"/> Yes <input checked="" type="checkbox"/> No 228	87-69-4 229
2 230		<input type="checkbox"/> Yes <input type="checkbox"/> No 232	233
3 234		<input type="checkbox"/> Yes <input type="checkbox"/> No 236	237
4 238		<input type="checkbox"/> Yes <input type="checkbox"/> No 240	241
5 242		<input type="checkbox"/> Yes <input type="checkbox"/> No 244	245

ADDITIONALLY LOCALLY COLLECTED INFORMATION 246

UNIFIED PROGRAM CONSOLIDATED FORM

HAZARDOUS MATERIALS

HAZARDOUS MATERIALS INVENTORY – CHEMICAL DESCRIPTION

(one page per material per building or area)

ADD DELETE REVISE 200 Page 1 of 1

I. FACILITY INFORMATION

BUSINESS NAME (Same as FACILITY NAME or DBA – Doing Business As) 3
E. & J. Gallo Winery

CHEMICAL LOCATION 201 CHEMICAL LOCATION CONFIDENTIAL 202
 EPCRA
 YES NO

Barreled Chemical Storage Area by Tank 6105

FACILITY ID #	F	A	0	0	0	0	1	0	5							1	MAP# (optional) 203	GRID# (optional) 204
																	7	N/A

II. CHEMICAL INFORMATION

CHEMICAL NAME 205 TRADE SECRET Yes No 206

TRIAX III 207 If Subject to EPCRA, refer to instructions

COMMON NAME 207 EHS* Yes No 208

Hydrogen Peroxide

CAS# 209 *If EHS is "Yes", all amounts below must be in lbs.

7722-84-1

FIRE CODE HAZARD CLASSES (Complete if required by CUPA) 210

HAZARDOUS MATERIAL TYPE (Check one item only) a. PURE b. MIXTURE c. WASTE 211 RADIOACTIVE Yes No 212 CURIES 213

PHYSICAL STATE: (Check one item only) a. SOLID b. LIQUID c. GAS 214 LARGEST CONTAINER 15 Gallons 215

FED HAZARD CATEGORIES (Check all that apply) a. FIRE b. REACTIVE c. PRESSURE RELEASE d. ACUTE HEALTH e. CHRONIC HEALTH 216

AVERAGE DAILY AMOUNT 217	MAXIMUM DAILY AMOUNT 218	ANNUAL WASTE AMOUNT 219	STATE WASTE CODE 220
150 Gallons	600 Gallons	None	N/A

UNITS* (Check one item only) a. GALLONS b. CUBIC FEET c. POUNDS d. TONS 221 DAYS ON SITE: 222
*If EHS, amount must be in pounds.

STORAGE CONTAINER	<input type="checkbox"/> a. ABOVE GROUND TANK	<input checked="" type="checkbox"/> e. PLASTIC/NONMETALLIC DRUM	<input type="checkbox"/> i. FIBER DRUM	<input type="checkbox"/> m. GLASS BOTTLE	<input type="checkbox"/> q. RAIL CAR
	<input type="checkbox"/> b. UNDERGROUND TANK	<input type="checkbox"/> f. CAN	<input type="checkbox"/> j. BAG	<input type="checkbox"/> n. PLASTIC BOTTLE	<input type="checkbox"/> r. OTHER
	<input type="checkbox"/> c. TANK INSIDE BUILDING	<input type="checkbox"/> g. CARBOY	<input type="checkbox"/> k. BOX	<input type="checkbox"/> o. TOTE BIN	
	<input type="checkbox"/> d. STEEL DRUM	<input type="checkbox"/> h. SILO	<input type="checkbox"/> l. CYLINDER	<input type="checkbox"/> p. TANK WAGON	223

STORAGE PRESSURE a. AMBIENT b. ABOVE AMBIENT c. BELOW AMBIENT 224

STORAGE TEMPERATURE a. AMBIENT b. ABOVE AMBIENT c. BELOW AMBIENT d. CRYOGENIC 225

%WT.		HAZARDOUS COMPONENT (For mixture or waste only)	EHS	CAS #
1	226		<input type="checkbox"/> Yes <input type="checkbox"/> No 228	229
2	230	231	<input type="checkbox"/> Yes <input type="checkbox"/> No 232	233
3	234	235	<input type="checkbox"/> Yes <input type="checkbox"/> No 236	237
4	238	239	<input type="checkbox"/> Yes <input type="checkbox"/> No 240	241
5	242	243	<input type="checkbox"/> Yes <input type="checkbox"/> No 244	245

If more hazardous components are present at greater than 1% by weight if carcinogenic, attach additional sheets of paper capturing the required information.

ADDITIONALLY LOCALLY COLLECTED INFORMATION 246

If EPCRA, Please Sign Here

UNIFIED PROGRAM CONSOLIDATED FORM

HAZARDOUS MATERIALS

HAZARDOUS MATERIALS INVENTORY – CHEMICAL DESCRIPTION

(one page per material per building or area)

ADD DELETE REVISE 200 Page 1 of 1

I. FACILITY INFORMATION

BUSINESS NAME (Same as FACILITY NAME or DBA – Doing Business As) 3
E. & J. Gallo Winery

CHEMICAL LOCATION 201 CHEMICAL LOCATION CONFIDENTIAL 202
 EPCRA
 YES NO
Gas Cylinder Storage Area & Mobile Carts

FACILITY ID # MAP# (optional) 203 GRID# (optional) 204
F A 0 0 0 0 1 0 5 **6** **N/A**

II. CHEMICAL INFORMATION

CHEMICAL NAME 205 TRADE SECRET Yes No 206

Inert Gas Mixture If Subject to EPCRA, refer to instructions

COMMON NAME 207 EHS* Yes No 208

TriMix/Compressed

CAS# 209 *If EHS is "Yes", all amounts below must be in lbs.

7440-59-7

FIRE CODE HAZARD CLASSES (Complete if required by CUPA) 210

HAZARDOUS MATERIAL TYPE (Check one item only) a. PURE b. MIXTURE c. WASTE 211 RADIOACTIVE Yes No 212 CURIES 213

PHYSICAL STATE: (Check one item only) a. SOLID b. LIQUID c. GAS 214 LARGEST CONTAINER **211 cf Cylinder** 215

FED HAZARD CATEGORIES (Check all that apply) a. FIRE b. REACTIVE c. PRESSURE RELEASE d. ACUTE HEALTH e. CHRONIC HEALTH 216

AVERAGE DAILY AMOUNT 217 MAXIMUM DAILY AMOUNT 218 ANNUAL WASTE AMOUNT 219 STATE WASTE CODE 220
844 **2110** None **N/A**

UNITS* (Check one item only) a. GALLONS b. CUBIC FEET c. POUNDS d. TONS 221 DAYS ON SITE: 222
*If EHS, amount must be in pounds. **365**

STORAGE CONTAINER a. ABOVE GROUND TANK e. PLASTIC/NONMETALLIC DRUM i. FIBER DRUM m. GLASS BOTTLE q. RAIL CAR
 b. UNDERGROUND TANK f. CAN j. BAG n. PLASTIC BOTTLE r. OTHER
 c. TANK INSIDE BUILDING g. CARBOY k. BOX o. TOTE BIN
 d. STEEL DRUM h. SILO l. CYLINDER p. TANK WAGON 223

STORAGE PRESSURE a. AMBIENT b. ABOVE AMBIENT c. BELOW AMBIENT 224

STORAGE TEMPERATURE a. AMBIENT b. ABOVE AMBIENT c. BELOW AMBIENT d. CRYOGENIC 225

%WT.	HAZARDOUS COMPONENT (For mixture or waste only)	EHS	CAS #
1 90%	226 Helium	<input type="checkbox"/> Yes <input checked="" type="checkbox"/> No 228	229 7440-59-7
2 7.5%	230 Argon	<input type="checkbox"/> Yes <input checked="" type="checkbox"/> No 232	233 7440-37-1
3 2.5%	234 Carbon Dioxide	<input type="checkbox"/> Yes <input checked="" type="checkbox"/> No 236	237 124-38-9
4	238	<input type="checkbox"/> Yes <input type="checkbox"/> No 240	241
5	242	<input type="checkbox"/> Yes <input type="checkbox"/> No 244	245

If more hazardous components are present at greater than 1% by weight if carcinogenic, attach additional sheets of paper capturing the required information.

ADDITIONALLY LOCALLY COLLECTED INFORMATION 246

UNIFIED PROGRAM CONSOLIDATED FORM

HAZARDOUS MATERIALS

HAZARDOUS MATERIALS INVENTORY – CHEMICAL DESCRIPTION

(one page per material per building or area)

ADD DELETE REVISE 200 Page 1 of 1

I. FACILITY INFORMATION

BUSINESS NAME (Same as FACILITY NAME or DBA – Doing Business As) 3												
E. & J. Gallo Winery												
CHEMICAL LOCATION 201					CHEMICAL LOCATION CONFIDENTIAL 202							
Lubricant Storage Area					EPCRA <input type="checkbox"/> YES <input checked="" type="checkbox"/> NO							
FACILITY ID #	F	A	0	0	0	0	1	0	5	1	MAP# (optional) 203	GRID# (optional) 204
											4	N/A

II. CHEMICAL INFORMATION

CHEMICAL NAME 205					TRADE SECRET <input type="checkbox"/> Yes <input checked="" type="checkbox"/> No 206				
Mixture					If Subject to EPCRA, refer to instructions				
COMMON NAME 207					EHS* <input type="checkbox"/> Yes <input checked="" type="checkbox"/> No 208				
Waste Oil Filters									
CAS# 209					*If EHS is "Yes", all amounts below must be in lbs.				
FIRE CODE HAZARD CLASSES (Complete if required by CUPA) 210									
HAZARDOUS MATERIAL TYPE (Check one item only) <input type="checkbox"/> a. PURE <input checked="" type="checkbox"/> b. MIXTURE <input checked="" type="checkbox"/> c. WASTE 211					RADIOACTIVE <input type="checkbox"/> Yes <input checked="" type="checkbox"/> No 212		CURIES 213		
PHYSICAL STATE: (Check one item only) <input checked="" type="checkbox"/> a. SOLID <input type="checkbox"/> b. LIQUID <input type="checkbox"/> c. GAS 214					LARGEST CONTAINER 55 Gal Drum 215				
FED HAZARD CATEGORIES (Check all that apply) <input type="checkbox"/> a. FIRE <input type="checkbox"/> b. REACTIVE <input type="checkbox"/> c. PRESSURE RELEASE <input type="checkbox"/> d. ACUTE HEALTH <input checked="" type="checkbox"/> e. CHRONIC HEALTH 216									
AVERAGE DAILY AMOUNT 217		MAXIMUM DAILY AMOUNT 218		ANNUAL WASTE AMOUNT 219		STATE WASTE CODE 220			
55		165				N/A			
UNITS* (Check one item only) <input checked="" type="checkbox"/> a. GALLONS <input type="checkbox"/> b. CUBIC FEET <input type="checkbox"/> c. POUNDS <input type="checkbox"/> d. TONS 221					DAYS ON SITE: 365 222				
STORAGE CONTAINER <input type="checkbox"/> a. ABOVE GROUND TANK <input type="checkbox"/> b. UNDERGROUND TANK <input type="checkbox"/> c. TANK INSIDE BUILDING <input checked="" type="checkbox"/> d. STEEL DRUM <input type="checkbox"/> e. PLASTIC/NONMETALLIC DRUM <input type="checkbox"/> f. CAN <input type="checkbox"/> g. CARBOY <input type="checkbox"/> h. SILO <input type="checkbox"/> i. FIBER DRUM <input type="checkbox"/> j. BAG <input type="checkbox"/> k. BOX <input type="checkbox"/> l. CYLINDER <input type="checkbox"/> m. GLASS BOTTLE <input type="checkbox"/> n. PLASTIC BOTTLE <input type="checkbox"/> o. TOTE BIN <input type="checkbox"/> p. TANK WAGON <input type="checkbox"/> q. RAIL CAR <input type="checkbox"/> r. OTHER 223									
STORAGE PRESSURE <input checked="" type="checkbox"/> a. AMBIENT <input type="checkbox"/> b. ABOVE AMBIENT <input type="checkbox"/> c. BELOW AMBIENT 224									
STORAGE TEMPERATURE <input checked="" type="checkbox"/> a. AMBIENT <input type="checkbox"/> b. ABOVE AMBIENT <input type="checkbox"/> c. BELOW AMBIENT <input type="checkbox"/> d. CRYOGENIC 225									

%WT.	HAZARDOUS COMPONENT (For mixture or waste only)	EHS	CAS #
1 226	Waste Oil Residue	<input type="checkbox"/> Yes <input type="checkbox"/> No 228	229
2 230	Metal	<input type="checkbox"/> Yes <input type="checkbox"/> No 232	233
3 234		<input type="checkbox"/> Yes <input type="checkbox"/> No 236	237
4 238		<input type="checkbox"/> Yes <input type="checkbox"/> No 240	241
5 242		<input type="checkbox"/> Yes <input type="checkbox"/> No 244	245

If more hazardous components are present at greater than 1% by weight if carcinogenic, attach additional sheets of paper capturing the required information.

ADDITIONALLY LOCALLY COLLECTED INFORMATION 246

UNIFIED PROGRAM CONSOLIDATED FORM

HAZARDOUS MATERIALS

HAZARDOUS MATERIALS INVENTORY – CHEMICAL DESCRIPTION

(one page per material per building or area)

ADD DELETE REVISE 200 Page 1 of 1

I. FACILITY INFORMATION

BUSINESS NAME (Same as FACILITY NAME or DBA – Doing Business As) 3												
E. & J. Gallo Winery												
CHEMICAL LOCATION 201					CHEMICAL LOCATION CONFIDENTIAL 202							
Lubricant Storage Area					EPCRA <input type="checkbox"/> YES <input checked="" type="checkbox"/> NO							
FACILITY ID #	F	A	0	0	0	0	1	0	5	1	MAP# (optional) 203	GRID# (optional) 204
											4	N/A

II. CHEMICAL INFORMATION

CHEMICAL NAME 205					TRADE SECRET <input type="checkbox"/> Yes <input checked="" type="checkbox"/> No 206				
Petroleum Hydrocarbon					If Subject to EPCRA, refer to instructions				
COMMON NAME 207					EHS* <input type="checkbox"/> Yes <input checked="" type="checkbox"/> No 208				
Waste Oil, Mixed Petroleum Oil									
CAS# 209					*If EHS is "Yes", all amounts below must be in lbs.				
N/A									
FIRE CODE HAZARD CLASSES (Complete if required by CUPA) 210									
FL									
HAZARDOUS MATERIAL TYPE (Check one item only) <input type="checkbox"/> a. PURE <input checked="" type="checkbox"/> b. MIXTURE <input type="checkbox"/> c. WASTE 211					RADIOACTIVE <input type="checkbox"/> Yes <input checked="" type="checkbox"/> No 212			CURIES 213	
PHYSICAL STATE: (Check one item only) <input type="checkbox"/> a. SOLID <input checked="" type="checkbox"/> b. LIQUID <input type="checkbox"/> c. GAS 214					LARGEST CONTAINER 55 Gal Drum 215				
FED HAZARD CATEGORIES (Check all that apply) <input checked="" type="checkbox"/> a. FIRE <input type="checkbox"/> b. REACTIVE <input type="checkbox"/> c. PRESSURE RELEASE <input checked="" type="checkbox"/> d. ACUTE HEALTH <input type="checkbox"/> e. CHRONIC HEALTH 216									
AVERAGE DAILY AMOUNT 217		MAXIMUM DAILY AMOUNT 218		ANNUAL WASTE AMOUNT 219		STATE WASTE CODE 220			
550		2000		4500		N/A			
UNITS* (Check one item only) <input checked="" type="checkbox"/> a. GALLONS <input type="checkbox"/> b. CUBIC FEET <input type="checkbox"/> c. POUNDS <input type="checkbox"/> d. TONS 221					DAYS ON SITE: 365 222				
*If EHS, amount must be in pounds.									
STORAGE CONTAINER <input type="checkbox"/> a. ABOVE GROUND TANK <input type="checkbox"/> b. UNDERGROUND TANK <input type="checkbox"/> c. TANK INSIDE BUILDING <input checked="" type="checkbox"/> d. STEEL DRUM		<input type="checkbox"/> e. PLASTIC/NONMETALLIC DRUM <input type="checkbox"/> f. CAN <input type="checkbox"/> g. CARBOY <input type="checkbox"/> h. SILO		<input type="checkbox"/> i. FIBER DRUM <input type="checkbox"/> j. BAG <input type="checkbox"/> k. BOX <input type="checkbox"/> l. CYLINDER		<input type="checkbox"/> m. GLASS BOTTLE <input type="checkbox"/> n. PLASTIC BOTTLE <input type="checkbox"/> o. TOTE BIN <input type="checkbox"/> p. TANK WAGON		<input type="checkbox"/> q. RAIL CAR <input type="checkbox"/> r. OTHER 223	
STORAGE PRESSURE <input checked="" type="checkbox"/> a. AMBIENT <input type="checkbox"/> b. ABOVE AMBIENT <input type="checkbox"/> c. BELOW AMBIENT 224									
STORAGE TEMPERATURE <input checked="" type="checkbox"/> a. AMBIENT <input type="checkbox"/> b. ABOVE AMBIENT <input type="checkbox"/> c. BELOW AMBIENT <input type="checkbox"/> d. CRYOGENIC 225									
%WT. 226		HAZARDOUS COMPONENT (For mixture or waste only) 231					EHS <input type="checkbox"/> Yes <input type="checkbox"/> No 228		CAS # 229
1									
2									
3									
4									
5									

If more hazardous components are present at greater than 1% by weight if carcinogenic, attach additional sheets of paper capturing the required information.

ADDITIONALLY LOCALLY COLLECTED INFORMATION 246

UNIFIED PROGRAM CONSOLIDATED FORM

HAZARDOUS MATERIALS

HAZARDOUS MATERIALS INVENTORY – CHEMICAL DESCRIPTION

(one page per material per building or area)

ADD

DELETE

REVISE

200

Page 1 of 1

I. FACILITY INFORMATION

BUSINESS NAME (Same as FACILITY NAME or DBA – Doing Business As) 3

E. & J. Gallo Winery

CHEMICAL LOCATION 201 CHEMICAL LOCATION CONFIDENTIAL 202

Paint Storage Area EPCRA YES NO

FACILITY ID #	F	A	0	0	0	0	1	0	5						1	MAP# (optional) 203	GRID# (optional) 204
																9	N/A

II. CHEMICAL INFORMATION

CHEMICAL NAME 205 TRADE SECRET Yes No 206

Paint Mixture If Subject to EPCRA, refer to instructions

COMMON NAME 207 EHS* Yes No 208

Waste Paint (Sludge)

CAS# 209 *If EHS is "Yes", all amounts below must be in lbs.

N/A

FIRE CODE HAZARD CLASSES (Complete if required by CUPA) 210

FL

HAZARDOUS MATERIAL TYPE (Check one item only) <input type="checkbox"/> a. PURE <input checked="" type="checkbox"/> b. MIXTURE <input type="checkbox"/> c. WASTE 211	RADIOACTIVE <input type="checkbox"/> Yes <input checked="" type="checkbox"/> No 212	CURIES 213
--	--	---

PHYSICAL STATE: (Check one item only) <input type="checkbox"/> a. SOLID <input checked="" type="checkbox"/> b. LIQUID <input type="checkbox"/> c. GAS 214	LARGEST CONTAINER 55 Gal Drum 215
--	---

FED HAZARD CATEGORIES (Check all that apply) a. FIRE b. REACTIVE c. PRESSURE RELEASE d. ACUTE HEALTH e. CHRONIC HEALTH 216

AVERAGE DAILY AMOUNT 217	MAXIMUM DAILY AMOUNT 218	ANNUAL WASTE AMOUNT 219	STATE WASTE CODE 220
---	---	--	---

330 **660** **660** **N/A**

UNITS* (Check one item only) <input checked="" type="checkbox"/> a. GALLONS <input type="checkbox"/> b. CUBIC FEET <input type="checkbox"/> c. POUNDS <input type="checkbox"/> d. TONS 221	DAYS ON SITE: 222
---	--

365

STORAGE CONTAINER <input type="checkbox"/> a. ABOVE GROUND TANK <input type="checkbox"/> b. UNDERGROUND TANK <input type="checkbox"/> c. TANK INSIDE BUILDING <input checked="" type="checkbox"/> d. STEEL DRUM	e. PLASTIC/NONMETALLIC DRUM <input type="checkbox"/> f. CAN <input type="checkbox"/> g. CARBOY <input type="checkbox"/> h. SILO	i. FIBER DRUM <input type="checkbox"/> j. BAG <input type="checkbox"/> k. BOX <input type="checkbox"/> l. CYLINDER	m. GLASS BOTTLE <input type="checkbox"/> n. PLASTIC BOTTLE <input type="checkbox"/> o. TOTE BIN <input type="checkbox"/> p. TANK WAGON	223
---	---	--	--	------------

STORAGE PRESSURE <input checked="" type="checkbox"/> a. AMBIENT <input type="checkbox"/> b. ABOVE AMBIENT <input type="checkbox"/> c. BELOW AMBIENT 224
--

STORAGE TEMPERATURE <input checked="" type="checkbox"/> a. AMBIENT <input type="checkbox"/> b. ABOVE AMBIENT <input type="checkbox"/> c. BELOW AMBIENT <input type="checkbox"/> d. CRYOGENIC 225

%WT.	HAZARDOUS COMPONENT (For mixture or waste only)	EHS	CAS #
------	---	-----	-------

1 226		<input type="checkbox"/> Yes <input type="checkbox"/> No 228	229
2 230	231	<input type="checkbox"/> Yes <input type="checkbox"/> No 232	233
3 234	235	<input type="checkbox"/> Yes <input type="checkbox"/> No 236	237
4 238	239	<input type="checkbox"/> Yes <input type="checkbox"/> No 240	241
5 242	243	<input type="checkbox"/> Yes <input type="checkbox"/> No 244	245

If more hazardous components are present at greater than 1% by weight if carcinogenic, attach additional sheets of paper capturing the required information.

ADDITIONALLY LOCALLY COLLECTED INFORMATION 246

If EPCRA, Please Sign Here

UNIFIED PROGRAM CONSOLIDATED FORM

HAZARDOUS MATERIALS

HAZARDOUS MATERIALS INVENTORY – CHEMICAL DESCRIPTION

(one page per material per building or area)

ADD

DELETE

REVISE

200

Page 1 of 1

I. FACILITY INFORMATION

BUSINESS NAME (Same as FACILITY NAME or DBA – Doing Business As) 3

E. & J. Gallo Winery

CHEMICAL LOCATION 201 CHEMICAL LOCATION CONFIDENTIAL 202

Lubricant Storage Area

EPCRA

YES NO

FACILITY ID # 1 MAP# (optional) 203 GRID# (optional) 204

F A 0 0 0 0 1 0 5

4

N/A

II. CHEMICAL INFORMATION

CHEMICAL NAME 205 TRADE SECRET Yes No 206

Waste Solvents

If Subject to EPCRA, refer to instructions

COMMON NAME 207 EHS* Yes No 208

Same

CAS# 209

N/A

*If EHS is "Yes", all amounts below must be in lbs.

FIRE CODE HAZARD CLASSES (Complete if required by CUPA) 210

HAZARDOUS MATERIAL TYPE (Check one item only) a. PURE b. MIXTURE c. WASTE 211 RADIOACTIVE Yes No 212 CURIES 213

PHYSICAL STATE: (Check one item only) a. SOLID b. LIQUID c. GAS 214 LARGEST CONTAINER **55 Gal Drum** 215

FED HAZARD CATEGORIES (Check all that apply) a. FIRE b. REACTIVE c. PRESSURE RELEASE d. ACUTE HEALTH e. CHRONIC HEALTH 216

AVERAGE DAILY AMOUNT 217 MAXIMUM DAILY AMOUNT 218 ANNUAL WASTE AMOUNT 219 STATE WASTE CODE 220

165

440

440

N/A

UNITS* (Check one item only) a. GALLONS b. CUBIC FEET c. POUNDS d. TONS 221 DAYS ON SITE: 222

365

STORAGE CONTAINER a. ABOVE GROUND TANK e. PLASTIC/NONMETALLIC DRUM i. FIBER DRUM m. GLASS BOTTLE q. RAIL CAR
 b. UNDERGROUND TANK f. CAN j. BAG n. PLASTIC BOTTLE r. OTHER
 c. TANK INSIDE BUILDING g. CARBOY k. BOX o. TOTE BIN
 d. STEEL DRUM h. SILO l. CYLINDER p. TANK WAGON 223

STORAGE PRESSURE a. AMBIENT b. ABOVE AMBIENT c. BELOW AMBIENT 224

STORAGE TEMPERATURE a. AMBIENT b. ABOVE AMBIENT c. BELOW AMBIENT d. CRYOGENIC 225

%WT.	HAZARDOUS COMPONENT (For mixture or waste only)	EHS	CAS #
1 226		<input type="checkbox"/> Yes <input type="checkbox"/> No 228	229
2 230	231	<input type="checkbox"/> Yes <input type="checkbox"/> No 232	233
3 234	235	<input type="checkbox"/> Yes <input type="checkbox"/> No 236	237
4 238	239	<input type="checkbox"/> Yes <input type="checkbox"/> No 240	241
5 242	243	<input type="checkbox"/> Yes <input type="checkbox"/> No 244	245

If more hazardous components are present at greater than 1% by weight if carcinogenic, attach additional sheets of paper capturing the required information.

ADDITIONALLY LOCALLY COLLECTED INFORMATION 246

If EPCRA, Please Sign Here

UNIFIED PROGRAM CONSOLIDATED FORM

HAZARDOUS MATERIALS

HAZARDOUS MATERIALS INVENTORY – CHEMICAL DESCRIPTION

(one page per material per building or area)

ADD DELETE REVISE 200 Page 1 of 1

I. FACILITY INFORMATION

BUSINESS NAME (Same as FACILITY NAME or DBA – Doing Business As) 3

E. & J. Gallo Winery

CHEMICAL LOCATION 201 CHEMICAL LOCATION CONFIDENTIAL 202

Storeroom EPCRA
 YES NO

FACILITY ID #	F	A	0	0	0	0	1	0	5						1	MAP# (optional) 203	GRID# (optional) 204
																6	N/A

II. CHEMICAL INFORMATION

CHEMICAL NAME 205 TRADE SECRET Yes No 206

Xylene If Subject to EPCRA, refer to instructions

COMMON NAME 207 EHS* Yes No 208

CAS# 209 *If EHS is "Yes", all amounts below must be in lbs.

64742-95-6

FIRE CODE HAZARD CLASSES (Complete if required by CUPA) 210

FL

HAZARDOUS MATERIAL TYPE (Check one item only) a. PURE b. MIXTURE c. WASTE 211 RADIOACTIVE Yes No 212 CURIES 213

PHYSICAL STATE: (Check one item only) a. SOLID b. LIQUID c. GAS 214 LARGEST CONTAINER **55 Gal Drum** 215

FED HAZARD CATEGORIES (Check all that apply) a. FIRE b. REACTIVE c. PRESSURE RELEASE d. ACUTE HEALTH e. CHRONIC HEALTH 216

AVERAGE DAILY AMOUNT 217	MAXIMUM DAILY AMOUNT 218	ANNUAL WASTE AMOUNT 219	STATE WASTE CODE 220
55	110	None	N/A

UNITS* (Check one item only) a. GALLONS b. CUBIC FEET c. POUNDS d. TONS 221 DAYS ON SITE: **365** 222

STORAGE CONTAINER a. ABOVE GROUND TANK e. PLASTIC/NONMETALLIC DRUM i. FIBER DRUM m. GLASS BOTTLE q. RAIL CAR
 b. UNDERGROUND TANK f. CAN j. BAG n. PLASTIC BOTTLE r. OTHER
 c. TANK INSIDE BUILDING g. CARBOY k. BOX o. TOTE BIN
 d. STEEL DRUM h. SILO l. CYLINDER p. TANK WAGON 223

STORAGE PRESSURE a. AMBIENT b. ABOVE AMBIENT c. BELOW AMBIENT 224

STORAGE TEMPERATURE a. AMBIENT b. ABOVE AMBIENT c. BELOW AMBIENT d. CRYOGENIC 225

%WT.	HAZARDOUS COMPONENT (For mixture or waste only)	EHS	CAS #
1 80%	Xylene	<input type="checkbox"/> Yes <input checked="" type="checkbox"/> No 228	1330-20-7 229
2 20%	Ethyl Benzene	<input type="checkbox"/> Yes <input checked="" type="checkbox"/> No 232	100-41-4 233
3		<input type="checkbox"/> Yes <input type="checkbox"/> No 236	237
4		<input type="checkbox"/> Yes <input type="checkbox"/> No 240	241
5		<input type="checkbox"/> Yes <input type="checkbox"/> No 244	245

If more hazardous components are present at greater than 1% by weight if carcinogenic, attach additional sheets of paper capturing the required information.

ADDITIONALLY LOCALLY COLLECTED INFORMATION 246

UNIFIED PROGRAM CONSOLIDATED FORM

HAZARDOUS MATERIALS

HAZARDOUS MATERIALS INVENTORY – CHEMICAL DESCRIPTION

(one page per material per building or area)

ADD DELETE REVISE 200 Page 1 of 1

I. FACILITY INFORMATION

BUSINESS NAME (Same as FACILITY NAME or DBA – Doing Business As) 3												
E. & J. Gallo Winery												
CHEMICAL LOCATION 201					CHEMICAL LOCATION CONFIDENTIAL 202							
					EPCRA <input type="checkbox"/> YES <input checked="" type="checkbox"/> NO							
FACILITY ID #	F	A	0	0	0	0	1	0	5	1	MAP# (optional) 203	GRID# (optional) 204
												N/A

II. CHEMICAL INFORMATION

CHEMICAL NAME 205					TRADE SECRET <input type="checkbox"/> Yes <input checked="" type="checkbox"/> No 206			
					If Subject to EPCRA, refer to instructions			
COMMON NAME 207					EHS* <input type="checkbox"/> Yes <input checked="" type="checkbox"/> No 208			
CAS# 209					*If EHS is "Yes", all amounts below must be in lbs.			
FIRE CODE HAZARD CLASSES (Complete if required by CUPA) 210								
HAZARDOUS MATERIAL TYPE (Check one item only) <input type="checkbox"/> a. PURE <input type="checkbox"/> b. MIXTURE <input type="checkbox"/> c. WASTE 211				RADIOACTIVE <input type="checkbox"/> Yes <input checked="" type="checkbox"/> No 212		CURIES 213		
PHYSICAL STATE: (Check one item only) <input type="checkbox"/> a. SOLID <input type="checkbox"/> b. LIQUID <input type="checkbox"/> c. GAS 214				LARGEST CONTAINER 3,990,000 # 215				
FED HAZARD CATEGORIES (Check all that apply) <input type="checkbox"/> a. FIRE <input type="checkbox"/> b. REACTIVE <input type="checkbox"/> c. PRESSURE RELEASE <input type="checkbox"/> d. ACUTE HEALTH <input type="checkbox"/> e. CHRONIC HEALTH 216								
AVERAGE DAILY AMOUNT 217		MAXIMUM DAILY AMOUNT 218		ANNUAL WASTE AMOUNT 219		STATE WASTE CODE 220		
UNITS* (Check one item only) <input type="checkbox"/> a. GALLONS <input type="checkbox"/> b. CUBIC FEET <input type="checkbox"/> c. POUNDS <input type="checkbox"/> d. TONS 221					DAYS ON SITE: 222			
					365			
STORAGE CONTAINER <input type="checkbox"/> a. ABOVE GROUND TANK <input type="checkbox"/> b. UNDERGROUND TANK <input type="checkbox"/> c. TANK INSIDE BUILDING <input type="checkbox"/> d. STEEL DRUM		<input type="checkbox"/> e. PLASTIC/NONMETALLIC DRUM <input type="checkbox"/> f. CAN <input type="checkbox"/> g. CARBOY <input type="checkbox"/> h. SILO		<input type="checkbox"/> i. FIBER DRUM <input type="checkbox"/> j. BAG <input type="checkbox"/> k. BOX <input type="checkbox"/> l. CYLINDER		<input type="checkbox"/> m. GLASS BOTTLE <input type="checkbox"/> n. PLASTIC BOTTLE <input type="checkbox"/> o. TOTE BIN <input type="checkbox"/> p. TANK WAGON 223		
STORAGE PRESSURE <input type="checkbox"/> a. AMBIENT <input type="checkbox"/> b. ABOVE AMBIENT <input type="checkbox"/> c. BELOW AMBIENT 224								
STORAGE TEMPERATURE <input type="checkbox"/> a. AMBIENT <input type="checkbox"/> b. ABOVE AMBIENT <input type="checkbox"/> c. BELOW AMBIENT <input type="checkbox"/> d. CRYOGENIC 225								
%WT. 226	HAZARDOUS COMPONENT (For mixture or waste only)					EHS 228		CAS # 229
1						<input type="checkbox"/> Yes <input type="checkbox"/> No		230
2						<input type="checkbox"/> Yes <input type="checkbox"/> No		231
3						<input type="checkbox"/> Yes <input type="checkbox"/> No		232
4						<input type="checkbox"/> Yes <input type="checkbox"/> No		233
5						<input type="checkbox"/> Yes <input type="checkbox"/> No		234
						<input type="checkbox"/> Yes <input type="checkbox"/> No		235
						<input type="checkbox"/> Yes <input type="checkbox"/> No		236
						<input type="checkbox"/> Yes <input type="checkbox"/> No		237
						<input type="checkbox"/> Yes <input type="checkbox"/> No		238
						<input type="checkbox"/> Yes <input type="checkbox"/> No		239
						<input type="checkbox"/> Yes <input type="checkbox"/> No		240
						<input type="checkbox"/> Yes <input type="checkbox"/> No		241
						<input type="checkbox"/> Yes <input type="checkbox"/> No		242
						<input type="checkbox"/> Yes <input type="checkbox"/> No		243
						<input type="checkbox"/> Yes <input type="checkbox"/> No		244
						<input type="checkbox"/> Yes <input type="checkbox"/> No		245
If more hazardous components are present at greater than 1% by weight if carcinogenic, attach additional sheets of paper capturing the required information.								
ADDITIONALLY LOCALLY COLLECTED INFORMATION 246								

If EPCRA, Please Sign Here

Emergency Response/Contingency Plan

(Hazardous Materials Business Plan Module)

Authority Cited: HSC, Section 25504(b); Title 22, Div. 4.5, Ch. 12, Art. 3 CCR

All facilities that handle hazardous materials in specified quantities must have a written emergency response plan. In addition, facilities that generate 1,000 kilograms or more of hazardous waste per month, or accumulate more than 6,000 kilograms of hazardous waste on-site at any one time, must prepare a contingency plan. Because the requirements are similar, they have been combined in a single document, provided below, for your convenience. This plan is a required module of the Hazardous Materials Business Plan (HMBP). **If you already have a plan that meets these requirements, you should not complete the blank plan, below, but you must include a copy of your existing plan as part of your HMBP.**

This site-specific Emergency Response/Contingency Plan is the facility's plan for dealing with emergencies and shall be implemented immediately whenever there is a fire, explosion, or release of hazardous materials that could threaten human health and/or the environment. **At least one copy of the plan shall be maintained at the facility for use in the event of an emergency and for inspection by the local agency.** Within Santa Clara County, hospitals and police agencies have delegated receipt of these plans to the local agencies administering Hazardous Materials Business Plans, so additional copies need not be submitted. However, a copy of the plan and any revisions must be provided to any contractor, hospital, or agency with whom special (i.e. contractual) emergency services arrangements have been made (see section 3, below).

1. Evacuation Plan:

a. The following alarm signal(s) will be used to begin evacuation of the facility (check all that apply):

Bells; Horns/Sirens; Verbal (i.e. shouting); Other (specify) _____

b. Evacuation map is prominently displayed throughout the facility.

Note: A properly completed HMBP Site Plan satisfies contingency plan map requirements. This drawing (or any other drawing that shows primary and alternate evacuation routes, emergency exits, and primary and alternate staging areas) must be prominently posted throughout the facility in locations where it will be visible to employees and visitors.

2. a. Emergency Contacts*:

Fire/Police/Ambulance Phone No. **911**
State Office of Emergency Services Phone No. **(800) 852-7550**

b. Post-Incident Contacts*:

Merced County Environmental Health - Hazardous Materials Phone No. **(209) 381-1100**
California EPA Department of Toxic Substances Control Phone No. **(559) 297-3903**
Cal-OSHA Division of Occupational Safety and Health Phone No. **(209) 557-6400**
San Joaquin Valley Air Pollution Control District Phone No. **(209) 557-6400**
Regional Water Quality Control Board Phone No. **(559) 445-5116**

* These telephone numbers are provided as a general aid to emergency notification. Be advised that additional agencies may be required to be notified.

c. Emergency Resources:

Poison Control Center Phone No. **(800) 876-4766**

Nearest Hospital: Name: _____ Phone No.: _____

Address: **Emanuel Hospital** City: **209 667 5800**
825 Delbon **Turlock**

3. Arrangements With Emergency Responders:

If you have made special (i.e. contractual) arrangements with any police department, fire department, hospital, contractor, or State or local emergency response team to coordinate emergency services, describe those arrangements below:

Emergency Response/Contingency Plan (HMBP Module)

4. Emergency Procedures:

Emergency Coordinator Responsibilities:

- a. Whenever there is an imminent or actual emergency situation such as an explosion, fire, or release, the emergency coordinator (*or his/her designee when the emergency coordinator is on call*) shall:
 - i. Identify the character, exact source, amount, and areal extent of any released hazardous materials.
 - ii. Assess possible hazards to human health or the environment that may result from the explosion, fire, or release. This assessment must consider both direct and indirect effects (*e.g. the effects of any toxic, irritating, or asphyxiating gases that are generated, the effects of any hazardous surface water run-off from water or chemical agents used to control fire, etc.*).
 - iii. Activate internal facility alarms or communications systems, where applicable, to notify all facility personnel.
 - iv. Notify appropriate local authorities (*i.e. call 911*).
 - v. Notify the State Office of Emergency Services at 1-800-852-7550.
 - vi. Monitor for leaks, pressure build-up, gas generation, or ruptures in valves, pipes, or other equipment shut down in response to the incident.
 - vii. Take all reasonable measures necessary to ensure that fires, explosions, and releases do not occur, recur, or spread to other hazardous materials at the facility.
- b. Before facility operations are resumed in areas of the facility affected by the incident, the emergency coordinator shall:
 - i. Provide for proper storage and disposal of recovered waste, contaminated soil or surface water, or any other material that results from an explosion, fire, or release at the facility.
 - ii. Ensure that no material that is incompatible with the released material is transferred, stored, or disposed of in areas of the facility affected by the incident until cleanup procedures are completed.
 - iii. Ensure that all emergency equipment is cleaned, fit for its intended use, and available for use.
 - iv. Notify the California Environmental Protection Agency's Department of Toxic Substances Control, the County of Santa Clara's Hazardous Materials Compliance Division, and the local fire department's hazardous materials program that the facility is in compliance with requirements b-i and b-ii, above.

Responsibilities of Other Personnel:

On a separate page, list any emergency response functions not covered in the "Emergency Coordinator Responsibilities" section, above. Next to each function, list the job title or name of each person responsible for performing the function. Number the page(s) appropriately.

5. Post-Incident Reporting/Recording:

The time, date, and details of any hazardous materials incident that requires implementation of this plan shall be noted in the facility's operating record.

Within 15 days of any hazardous materials emergency incident or threatened hazardous materials emergency incident that triggers implementation of this plan, a written Emergency Incident Report, including, but not limited to a description of the incident and the facility's response to the incident, must be submitted to the California Environmental Protection Agency's Department of Toxic Substances Control, the County of Santa Clara's Hazardous Materials Compliance Division, and the local fire department's hazardous materials program. The report shall include:

- a. Name, address, and telephone number of the facility's owner/operator;
- b. Name, address, and telephone number of the facility;
- c. Date, time, and type of incident (*e.g. fire, explosion, etc.*);
- d. Name and quantity of material(s) involved;
- e. The extent of injuries, if any;
- f. An assessment of actual or potential hazards to human health or the environment, where this is applicable;
- g. Estimated quantity and disposition of recovered material that resulted from the incident;
- h. Cause(es) of the incident;
- i. Actions taken in response to the incident;
- j. Administrative or engineering controls designed to prevent such incidents in the future.

6. Earthquake Vulnerability: [19 CCR §2731(e)]

Identify any areas of the facility and mechanical or other systems that require immediate inspection or isolation because of their vulnerability to earthquake-related ground motion:

Emergency Response/Contingency Plan

7. Emergency Equipment:

22 CCR §66265.52(e) [as referenced by 22 CCR §66262.34(a)(4)] and the Hazardous Materials Storage Ordinance require that emergency equipment at the facility be listed. Completion of the following Emergency Equipment Inventory Table meets this requirement.

EMERGENCY EQUIPMENT INVENTORY TABLE

1. Equipment Category T	2. Equipment Type	3. Locations *	4. Description**
Personal Protective Equipment, Safety Equipment, and First Aid Equipment	<input checked="" type="checkbox"/> Cartridge Respirators	lockers in Maintenance and Production	
	<input checked="" type="checkbox"/> Chemical Monitoring Equipment (<i>describe</i>)	ER Cart	Ammonia Drager tubes
	<input checked="" type="checkbox"/> Chemical Protective Aprons/Coats	Personal lockers and RT Cart	Chemical Suites.
	<input checked="" type="checkbox"/> Chemical Protective Boots	ER Cart	
	<input checked="" type="checkbox"/> Chemical Protective Gloves	ER Cart and Storeroom	
	<input checked="" type="checkbox"/> Chemical Protective Suits (<i>describe</i>)	ER Cart and Storeroom	
	<input checked="" type="checkbox"/> Face Shields	ER Cart and Storeroom	
	<input checked="" type="checkbox"/> First Aid Kits/Stations (<i>describe</i>)	ER Cart and Production Building	First aid Kits in ER cart and First aid station in Production building
	<input checked="" type="checkbox"/> Hard Hats	Personal lockers and Storeroom	
	<input checked="" type="checkbox"/> Plumbed Eye Wash Stations	Throughout facility	
	<input type="checkbox"/> Portable Eye Wash Kits (<i>i.e. bottle type</i>)		
	<input checked="" type="checkbox"/> Respirator Cartridges (<i>describe</i>)	Personal lockers and Storeroom	
	<input checked="" type="checkbox"/> Safety Glasses/Splash Goggles	Personal lockers and Storeroom	
	<input checked="" type="checkbox"/> Safety Showers	Throughout facility	
	<input checked="" type="checkbox"/> Self-Contained Breathing Apparatuses (SCBA)	ER Cart	
<input type="checkbox"/> Other (<i>describe</i>)			
Fire Extinguishing Systems	<input checked="" type="checkbox"/> Automatic Fire Sprinkler Systems	Stills	
	<input checked="" type="checkbox"/> Fire Alarm Boxes/Stations		
	<input checked="" type="checkbox"/> Fire Extinguisher Systems (<i>describe</i>)	Fire Extinguishers throughout facility	
	<input type="checkbox"/> Other (<i>describe</i>)		
Spill Control Equipment and Decontamination Equipment	<input checked="" type="checkbox"/> Absorbents (<i>describe</i>)	Storage area, East of Process building	
	<input checked="" type="checkbox"/> Berms/Dikes (<i>describe</i>)	Storage area, East of Process building	
	<input checked="" type="checkbox"/> Decontamination Equipment (<i>describe</i>)	ER Cart	
	<input type="checkbox"/> Emergency Tanks (<i>describe</i>)		
	<input checked="" type="checkbox"/> Exhaust Hoods	Maint Shop	
	<input checked="" type="checkbox"/> Gas Cylinder Leak Repair Kits (<i>describe</i>)	ER Cart	
	<input checked="" type="checkbox"/> Neutralizers (<i>describe</i>)	Caustic, Ammonia	
	<input type="checkbox"/> Overpack Drums		
Communications and Alarm Systems	<input checked="" type="checkbox"/> Chemical Alarms (<i>describe</i>)	Siren site wide	
	<input type="checkbox"/> Intercoms/ PA Systems		
	<input checked="" type="checkbox"/> Portable Radios	throughout facility	
	<input checked="" type="checkbox"/> Telephones	In office buildings	
	<input type="checkbox"/> Underground Tank Leak Detection Monitors		
Additional Equipment (Use Additional Pages if Needed.)	<input type="checkbox"/>		
	<input type="checkbox"/>		
	<input type="checkbox"/>		
	<input type="checkbox"/>		
	<input type="checkbox"/>		

* Use the map and grid numbers from the Storage Map prepared earlier for your HMBP.

** Describe the equipment and its capabilities. If applicable, specify any testing/maintenance procedures/intervals. Attach additional pages, numbered appropriately, if needed.