

Thank you for purchasing a Shakespeare antenna product. Customer comments are welcome. Before installing, please study the diagram and check parts supplied against those listed.

Supplied Parts	
1	Stainless steel mount

IMPORTANT! Please read all instructions before installing.

The Style 4187 Stainless Steel Ratchet Mount is a versatile, free-standing mount with a four-way ratchet design. It can be used for mounting to vertical or horizontal surfaces - deck or bulkhead - and adjust to a slanted surface.

The Style 4187-HD is an extra heavy duty stainless steel ratchet mount for use on high speed boats and with the Galaxy® Style 5399 VHF antenna.

Tools required: As needed to secure mount to surface, drill and drill bit for 1/4" screws; screwdriver; wrench or pliers

Installation Instructions

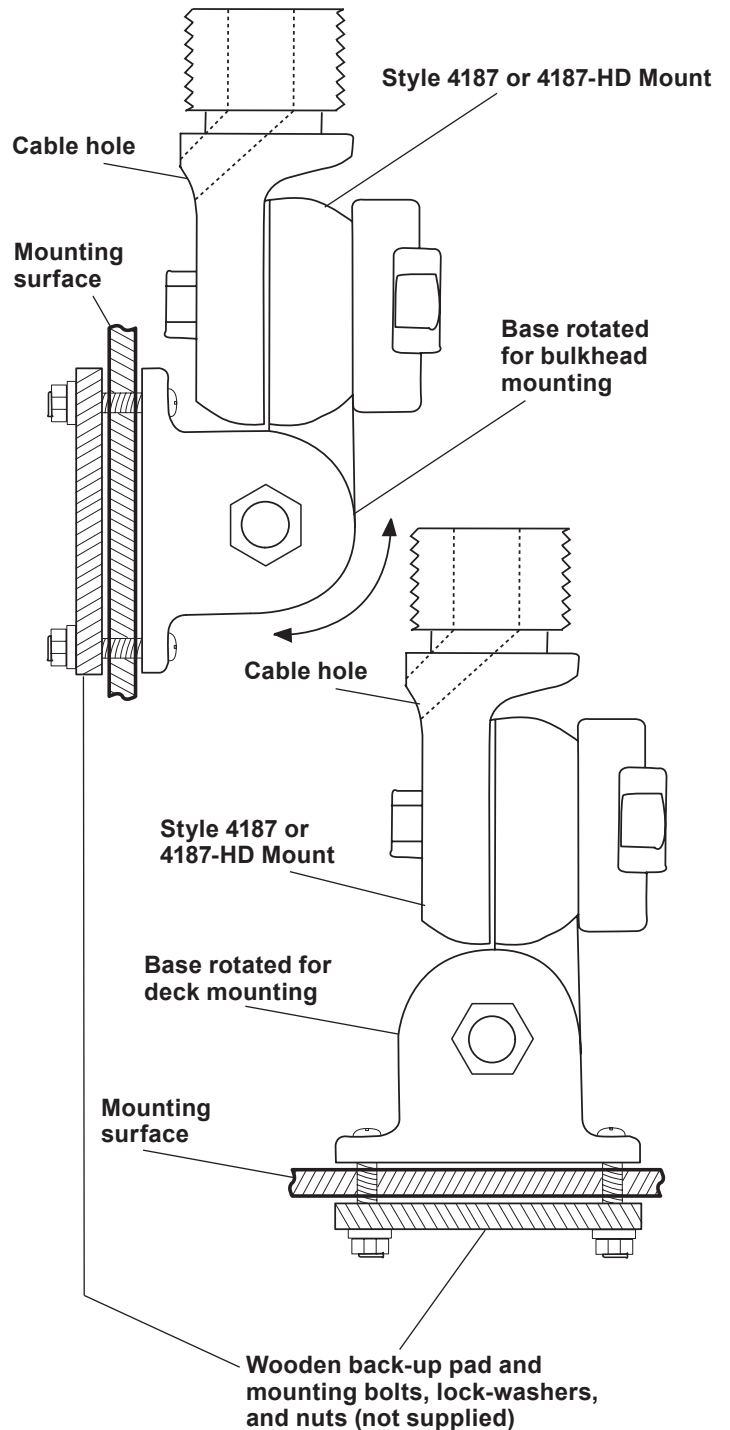
Choose a mounting location that is as high as possible, as free as possible from obstructions, and as far as practical from other antennas or strong sources of RF. Use 1/4" bolts and washers (sold separately) to attach the mount securely to the surface you choose. For other types of surfaces, you may need other types of mounting hardware (not supplied). Be sure to use only stainless steel hardware.

1. Using the base of the Ratchet Mount as a template, mark the location for the mounting holes. Drill 1/4" holes.
2. Attach the Ratchet Mount to the mounting surface.

IMPORTANT: If the thickness of the mounting surface is not adequate to support the antenna under expected stress, a wooden back-up pad (not supplied) should be applied underneath the mounting surface during installation.

3. Assemble the antenna to the Ratchet Mount, being careful not to damage the antenna's cabling, if any.

For a streamlined look, the cable may be routed through the hole in the side of the mount. To preserve the mount's lustre, apply automobile wax or metal polish.



Shakespeare Electronic Products Group

U.S. Operations: 6111 Shakespeare Rd. · Columbia, SC 29223 · 803-227-1590 · Fax: 803-419-3099 · www.shakespeare-marine.com
 U.K. Operations: Enterprise Way, Fleetwood, Lancashire, FY7 8RY, England · +44 (0) 1253 858787 · Fax: +44 (0) 1253-859595 · www.vtronix-antennas.com