



12:45

Thermador

BUILT-IN MICROWAVES PROFESSIONAL & MASTERPIECE® SERIES

The Thermador® Built-In MicroDrawer® Microwave combines luxury-class cooking power with industry-leading innovations. With a spacious 1.2 cubic foot capacity and 950 Watts of power, it can be conveniently installed below a countertop for easy access. The exclusive design makes it the only model that can be installed perfectly flush in any standard depth cabinetry.

Thermador Traditional and Convection Built-In Microwaves bring practicality and elegance to your kitchen with 10 power levels and sensor cooking. And to perfectly integrate these models into your kitchen, we offer a handsome 27-inch and 30-inch stainless steel trim kit.



FEATURES THAT INSPIRE REAL COOKS TO CREATE

BUILT-IN MICRODRAWER® MICROWAVE

★ LARGE CAPACITY

Our Built-In MicroDrawer® Microwave features a 1.2 cubic foot capacity. The drawer is tall enough to hold a 20 oz. cup and large enough to contain a 9-inch by 13-inch casserole dish.

★ FLUSH INSTALLATION

The Built-In MicroDrawer® Microwave is the only drawer that can be installed perfectly flush in any standard depth cabinetry while providing superior access and ease of use, with the appliance placed at a convenient height.

★ SENSOR COOKING

Auto cooking modes, including melt, warm and soften, help culinary enthusiasts achieve perfect results. Our Built-In MicroDrawer® Microwave also includes a special sensor mode that detects moisture and automatically adjusts cooking level and time to take the guesswork out of cooking and reheating.

TOUCH "OPEN" AND "CLOSE"

Incorporating a sleek, uncluttered design, the Built-In MicroDrawer® Microwave opens and closes with a simple touch, eliminating the need for a handle.



TRADITIONAL AND CONVECTION MICROWAVES

CONVECTION TECHNOLOGY

Thermador Convection Microwaves feature convection technology that circulates hot air within the unit so foods cook faster and more evenly without any loss of flavor.

SENSOR COOKING

The microwave oven uses humidity sensing to achieve perfect results with minimal user programming.

10 POWER LEVELS

When microwaving, enjoy the ultimate in control and flexibility for perfect results every time.

KEEP WARM

Keep food warm for up to 30 minutes after cooking.

QUICK DEFROST

Defrost foods such as meat, poultry and seafood simply by entering the weight.

MBES
BUILT-IN MICROWAVE
 MASTERPIECE® & PROFESSIONAL SERIES



FEATURES & BENEFITS

- Innovative microwave inverter technology offers consistent cooking performance
- 1,200 watts microwave power and 10 microwave power levels
- Automatic beverages reheat—determines cooking level and time
- Sensor cooking programs measure humidity and adjust cooking level and cooking time
- Built-in microwave is the perfect companion for any Thermador wall oven

ACCESSORIES (OPTIONAL)



MBT27JS
 27-Inch Trim Kit



MBT30JS
 30-Inch Trim Kit

GENERAL PROPERTIES

Cavity Color	White
Max. Microwave Power (W)	1,200 W

CAPACITY

Cavity Capacity (cu. ft.)	2.1 cu. ft.
Turntable Diameter (in.)	16 1/2"

TECHNICAL DETAILS

Watts (W)	1,460 W
Circuit Breaker (A)	20 A
Volts (V)	120 V
Frequency (Hz)	60 Hz
Plug Type	120V-3 Prong
Power Cord Length (in.)	41 5/16"

DIMENSIONS & WEIGHT

Overall Appliance Dimensions (HxWxD) (in.)	14" x 23 7/8" x 19 7/16"
27" Trim Kit Required Cutout Size (HxWxD) (in.)	19 7/8" x 25 7/16" x 21"
30" Trim Kit Required Cutout Size (HxWxD) (in.)	19 7/8" x 28 7/16" x 21"
Net Weight (Lbs)	34 lbs

ACCESSORIES (INCLUDED)

1 Ceramic Glass Tray, 1 Roller Ring

WARRANTY

Limited Warranty, Entire Appliance, Parts and Labor	2 Year
---	--------

MCES

BUILT-IN MICROWAVE WITH CONVECTION

MASTERPIECE® & PROFESSIONAL SERIES



FEATURES & BENEFITS

- Automatic convection bake programs
- Innovative microwave inverter technology offers consistent cooking performance
- 1,000 watts microwave power and 10 microwave power levels
- Sensor cooking programs measure humidity and adjust cooking level and cooking time
- Built-in convection microwave is the perfect companion for any Thermador wall oven

ACCESSORIES (OPTIONAL)



MCT27JS
27-Inch Trim Kit



MCT30JS
30-Inch Trim Kit

GENERAL PROPERTIES

Cavity Color	Stainless Steel
Max. Microwave Power (W)	1,000 W

CAPACITY

Cavity Capacity (cu. ft.)	1.5 cu. ft.
Turntable Diameter (in.)	15"

TECHNICAL DETAILS

Watts (W)	1,500 W
Circuit Breaker (A)	20 A
Volts (V)	120 V
Frequency (Hz)	60 Hz
Plug Type	120V-3 Prong
Power Cord Length (in.)	41 5/16"

DIMENSIONS & WEIGHT

Overall Appliance Dimensions (HxWxD) (in.)	14 13/16" x 23 7/8" x 19 5/16"
27" Trim Kit Required Cutout Size (HxWxD) (in.)	19 7/8" x 25 7/16" x 21"
30" Trim Kit Required Cutout Size (HxWxD) (in.)	19 7/8" x 28 7/16" x 21"
Net Weight (Lbs)	33 lbs

ACCESSORIES (INCLUDED)

1 Oven Rack, 1 Ceramic Glass Tray, 1 Roller Ring

WARRANTY

Limited Warranty, Entire Appliance, Parts and Labor	2 Year
---	--------

MD24JS

BUILT-IN MICROWAVE DRAWER

MASTERPIECE® & PROFESSIONAL SERIES



FEATURES & BENEFITS

- Spacious 1.2 cu. ft. Interior fits a 20 oz. cup or a 13" x 9" pan
- 950 watts microwave power and 10 power levels
- Sensor cooking programs measure humidity and adjust cooking level and cooking time
- Touch "open" and "close"
- Perfect flush installation and hidden vent

GENERAL PROPERTIES

Cavity Color	White
Max. Microwave Power (W)	950 W

CAPACITY

Cavity Capacity (cu. ft.)	1.2 cu. ft.
Turntable Diameter (in.)	N/A

TECHNICAL DETAILS

Watts (W)	1,500 W
Circuit Breaker (A)	15 A
Volts (V)	120 V
Frequency (Hz)	60 Hz
Plug Type	120V-3 Prong
Power Cord Length (in.)	48"

DIMENSIONS & WEIGHT

Overall Appliance Dimensions (HxWxD) (in.)	16 5/16" x 23 7/8" x 23 3/8"
Required Cutout Size (HxWxD) (in.)	14 13/16" x 22 1/8" x 23 1/2"
Net Weight (Lbs)	81 lbs

ACCESSORIES (INCLUDED)

N/A

WARRANTY

Limited Warranty, Entire Appliance, Parts and Labor	2 Year
---	--------

BUILT-IN MICROWAVES

PLANNING INFORMATION

MODEL OPTIONS

There are two Thermador Built-in Microwaves to choose from — traditional and convection. 27-inch and 30-inch stainless steel trim kits must be used and are available for each.

You can also choose a Thermador Built-in MicroDrawer® Microwave.

INSTALLATION CONSIDERATIONS

The information in this design guide provides key features, product dimensions, cutouts and installation specifications. Before installing a Thermador Microwave oven, be sure to verify the cabinet dimensions and electrical connections. Also, always consult the installation manual packed with the product for complete details before installing.

It is the responsibility of the owner and the installer to determine if additional requirements and / or standards apply to specific installations.

Do not block air vents. If they are blocked during operation, the oven may be overheated and damaged. If the oven overheats, a thermal safety device will turn the oven off. The oven will remain inoperable until it has cooled.

Do not place the microwave near a hot, damp surface such as a gas or electric range, dishwasher, or in an excessively humid room.

INSTALLATION OPTIONS

MBES / MCES MODELS

Thermador MCES / MBES Microwaves may be installed into a cabinet or wall as a standalone unit or above any Thermador Built-in Oven. They may also be installed above any Thermador Warming Drawer.

To reduce the risk of fire and electric shock, install microwave at least 3/4" above designated oven or warming drawer.

IMPORTANT: MCES and MBES models must be used in conjunction with a 27-inch or 30-inch microwave trim kit.

MICRODRAWER® MICROWAVE

The Thermador MicroDrawer® Microwave can be built into a cabinet or wall as a standalone unit or under a Thermador Built-in Oven.

Check to be sure that there is a clearance of 2" or greater between the top of the MicroDrawer® Microwave and the bottom of a built-in wall oven above it.

ELECTRICAL SPECIFICATIONS

The microwave oven must be on a separate circuit. No other appliance should share the circuit with the microwave oven. If it does, the branch circuit fuse may blow or the circuit breaker may trip, or the food may cook slower than recommended.

This appliance must be grounded. It is equipped with a cord having a grounding wire with a grounding plug. The plug must be plugged into at least a 20 Amp, 120 Volt, 60 Hz 3-wire, grounded outlet that is properly installed.

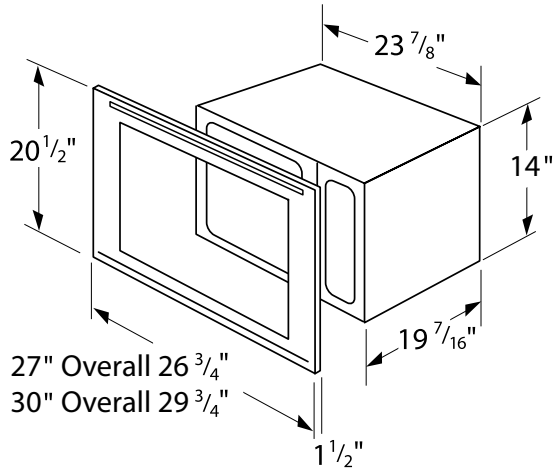
The voltage used must be the same as specified on this microwave oven (120V, 60Hz). Using a higher voltage is dangerous and may result in a fire or oven damage. Using a lower voltage will cause slow cooking.

Do not use an extension cord. If the power supply cord is too short, have a qualified electrician or serviceman install an outlet near the appliance.

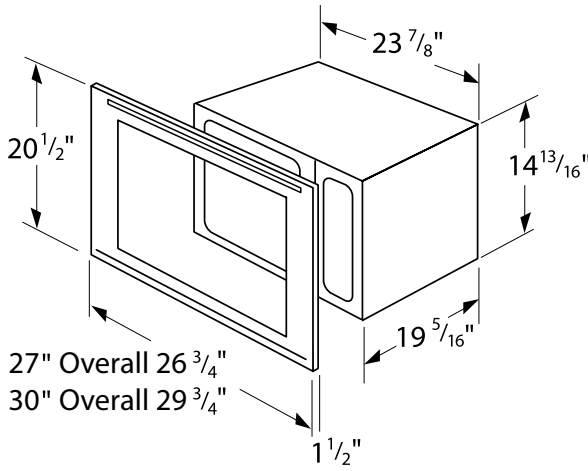
MODEL	REQUIRED CIRCUIT BREAKER
	240V, 60 Hz
MBES	20 A
MCES	20 A
MD24JS	15 A

BUILT-IN MICROWAVES INSTALLATION

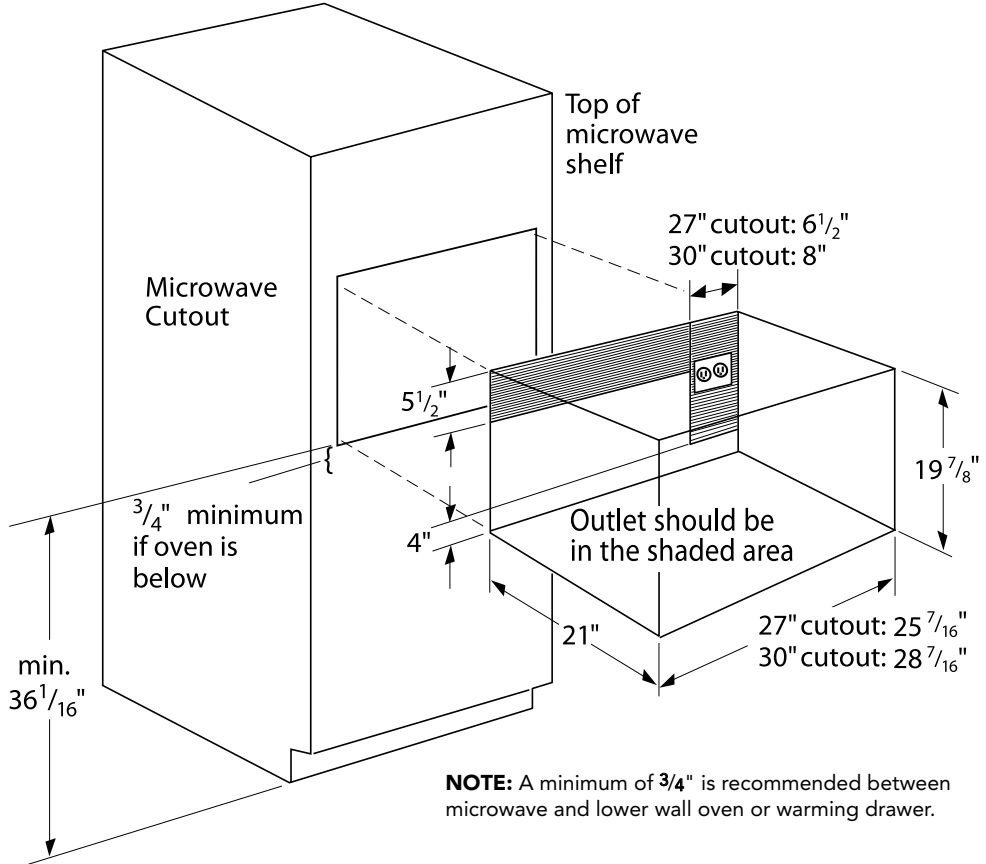
TRADITIONAL MICROWAVE OVEN DIMENSIONS



CONVECTION MICROWAVE OVEN DIMENSIONS

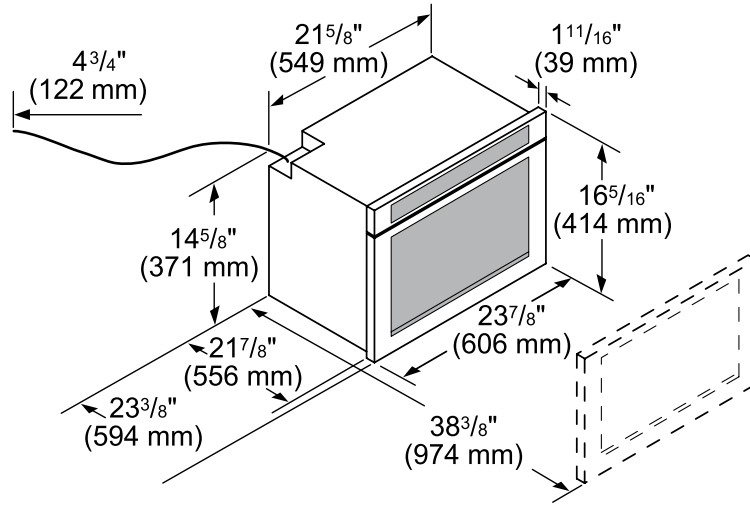


MICROWAVE OVEN CUTOUT DIMENSIONS

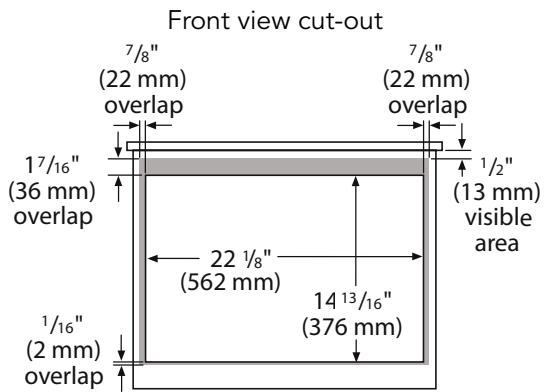
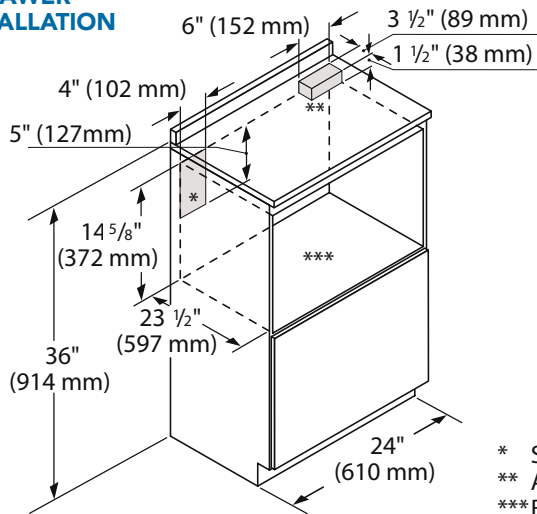


BUILT-IN MICROWAVES INSTALLATION

MICROWAVE DRAWER AND CUTOUT DIMENSIONS

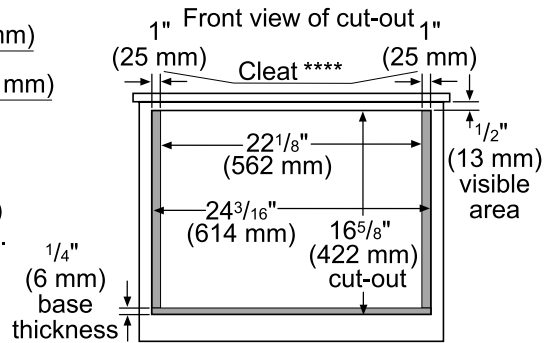
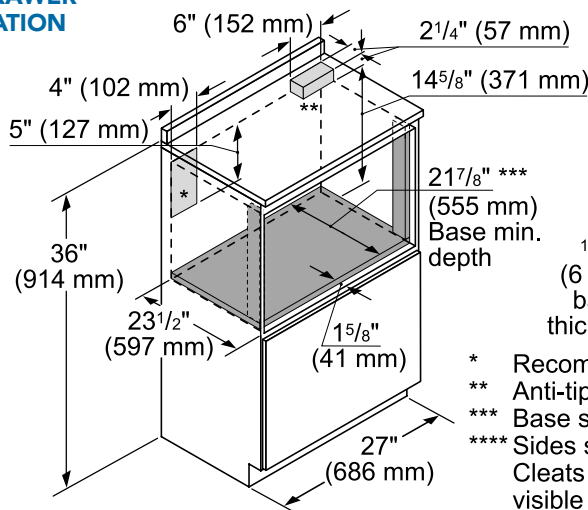


MICROWAVE DRAWER STANDARD INSTALLATION



- * Suggested location of electrical outlet
- ** Anti-Tip Block
- *** Base should support up to 100 lbs

MICROWAVE DRAWER FLUSH INSTALLATION



- * Recommended location of electrical outlet
- ** Anti-tip block
- *** Base should support up to 100 lbs
- **** Sides should be finished and extend back to cleat. Cleats should also be finished, as they may be visible after installation.








MODELS SHOWN: MES301HS BUILT-IN STEAM AND CONVECTION OVEN OVER ME301JS SINGLE BUILT-IN OVEN, AND MD24JS MICRODRAWER® MICROWAVE. KITCHEN DESIGN BY: THOMAS TRZCINSKI, KITCHEN & BATH CONCEPTS OF PITTSBURGH, LLC

EXPERIENCE THERMADOR®

Thermador is committed to giving you an enjoyable, creative and rewarding cooking experience. Whether you would like to research our products, watch a video of our chef searing the perfect scallop, or have questions on the use and care of your product, simply browse our online resource library at thermador.com.



CONNECT WITH US

-  thermador.com/blog
-  pinterest.com/thermador
-  instagram.com/thermadorhome
-  facebook.com
-  youtube.com/thermadorhome
-  twitter.com/thermador

VISIT THE ABOVE SITES TO SHARE PHOTOS OF YOUR NEW KITCHEN AND CREATIVE DISHES.

TAKE US WITH YOU

Visit the App Store™ or Google Play™ to download our Innovations app, including the Thermador Kitchen Ideas & Lookbook and the Thermador Kitchen Design and Planning Guide.



CUSTOMER SERVICE

For dedicated customer service on any Thermador product, please call: 1-800-735-4328 or contact us at thermador.com

PRODUCT WARRANTY

PROFESSIONAL RANGES

Limited warranty, entire appliance, parts and labor (2 year)

PROFESSIONAL RANGETOPS

Limited warranty, entire appliance, parts and labor (2 year)

BUILT-IN OVENS

Limited warranty parts and labor (2 year)

INDUCTION COOKTOPS

Limited warranty, entire appliance, parts and labor (2 year)

Limited warranty for glass ceramic surface/electronic elements and switches; parts only (3rd to 5th year)

GAS COOKTOPS

Limited warranty, entire appliance, parts and labor (2 year)

ELECTRIC COOKTOPS

Limited warranty, entire appliance, parts and labor (2 year)

Limited warranty for glass ceramic surface/electronic elements and switches; parts only (3rd to 5th year)

VENTILATION

Limited warranty, entire appliance, parts and labor (2 year)

WARMING DRAWERS

Limited warranty, entire appliance, parts and labor (2 year)

BUILT-IN MICROWAVES

Limited warranty, entire appliance, parts and labor (2 year)

REFRIGERATION

Limited two-year warranty, entire appliance, parts and labor on any part of the refrigerator that fails because of a manufacturing defect

Limited warranty for sealed refrigeration system*; parts and labor (3rd to 6th year)

Limited warranty for sealed refrigeration system*; parts only (7th to 12th year)

*Sealed refrigeration system includes compressor, evaporator, condenser, dryer/strainer and connection tubing

DISHWASHERS

Full warranty, entire appliance, parts and labor (2 year)

Limited warranty for microprocessor or printed circuit board; parts only (3rd to 5th year)

Limited warranty for racks (does not include rack components); parts only (3rd to 5th year)

Limited warranty for rust-through on inner tub liner; parts only (Lifetime)

BUILT-IN COFFEE MACHINES

Limited warranty, entire appliance, parts and labor (2 year)



These warranties give you specific legal rights and you may have other rights that vary from state to state. Limited Warranty from Date of Purchase. For complete warranty details, refer to your Use & Care manual, or ask your dealer.

Specifications are for planning purposes only. Refer to installation instructions and consult your countertop supplier prior to making counter opening. Consult with a heating and ventilation engineer for your specific ventilation requirements. For the most detailed information, refer to installation instructions accompanying product or write to Thermador® indicating the model number. Specifications are correct at time of printing. Thermador reserves the right to change product specifications or design without notice. Some models are certified for use in Canada. Thermador is not responsible for products that are transported from the U.S. for use in Canada.

©2015 BSH Home Appliances Corporation.



Thermador★

1 800 735 4328

USA THERMADOR.COM
CANADA THERMADOR.CA

©2015 BSH HOME APPLIANCES CORPORATION. ALL RIGHTS RESERVED.
#13-THD-0250 MG 10/15