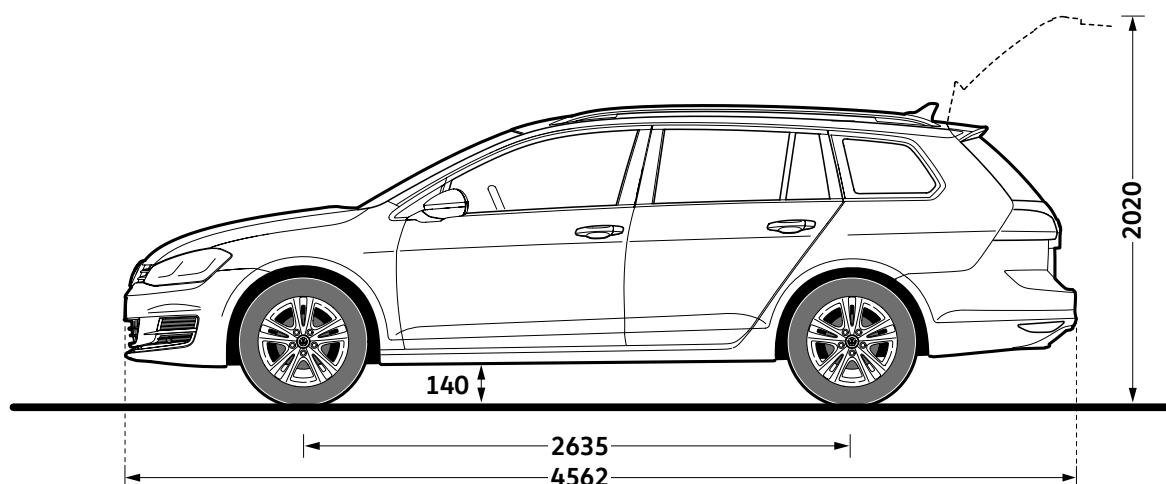


Golf Estate dimensions



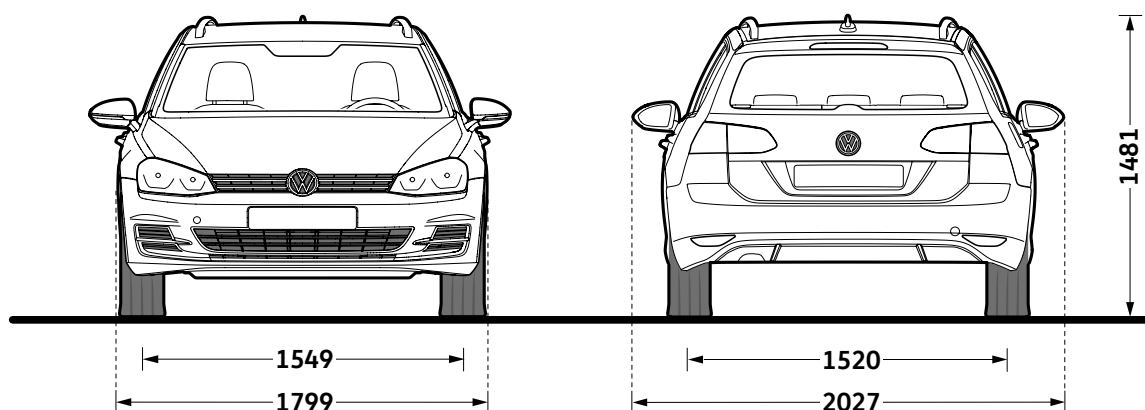
Volkswagen

Exterior dimensions



Exterior dimensions

| Exterior dimensions | S, BlueMotion, SE, SE BlueMotion, GT |
|------------------------------------|--------------------------------------|
| Length, mm | 4562 |
| Height - opened tailgate/floor, mm | 2020 |
| Wheelbase, mm | 2635 |
| Turning circle, m | 10.9 |



Exterior dimensions

| Exterior dimensions | S, BlueMotion, SE, SE BlueMotion, GT |
|------------------------------------|--------------------------------------|
| Width - including door mirrors, mm | 2027 |
| Width - excluding door mirrors, mm | 1799 |
| Height, mm | 1481 |

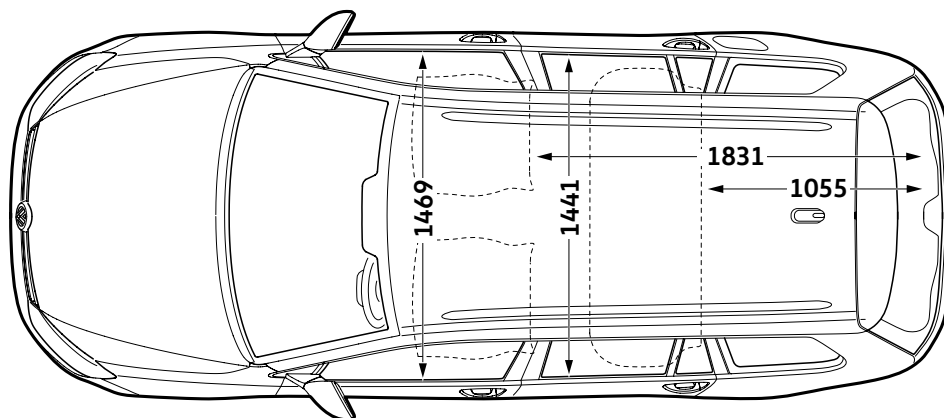
Figures shown are for standard specification models. The addition of certain factory-fitted options and/or accessories may affect some of the dimensions shown.

Golf Estate dimensions



Volkswagen

Interior dimensions



Interior dimensions

Interior width, front, mm

S, BlueMotion, SE, SE BlueMotion, GT

1469

Interior width, rear, mm

1441

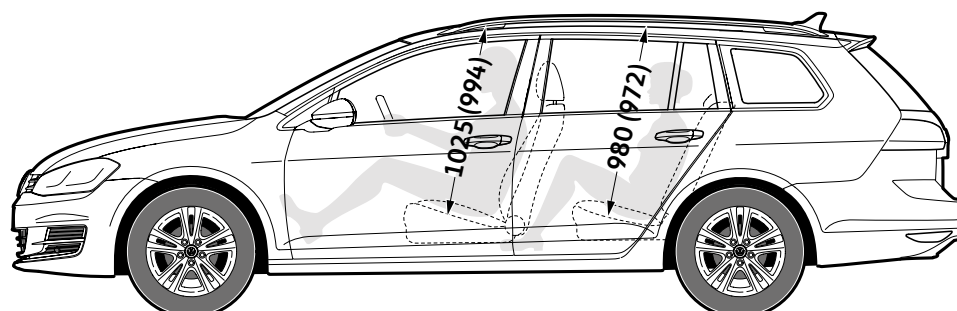
Maximum luggage capacity, litres VDA measuring method using 200 x 100 x 50mm blocks

With rear seats upright

605

With rear seats folded

1620



Interior dimensions

Effective headroom – front, mm (with sunroof)

S, BlueMotion, SE, SE BlueMotion, GT

1025 (994)

Effective headroom – rear, mm (with sunroof)

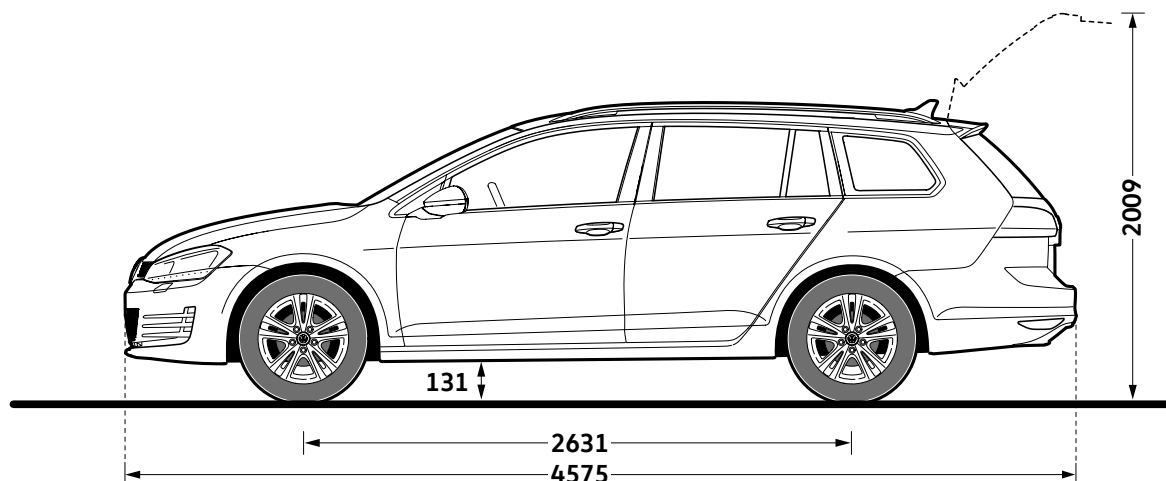
980 (972)

Golf Estate GTD dimensions



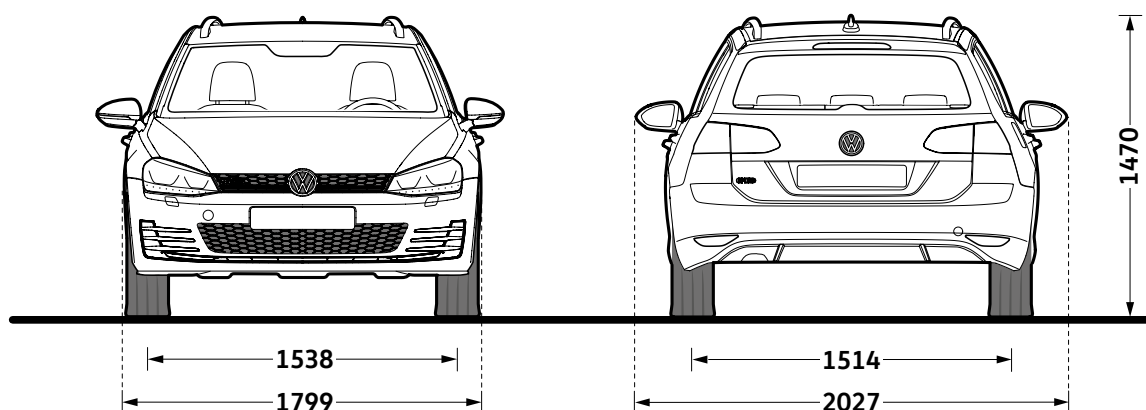
Volkswagen

Exterior dimensions



Exterior dimensions

| Exterior dimensions | Golf Estate GTD |
|------------------------------------|-----------------|
| Length, mm | 4575 |
| Height - opened tailgate/floor, mm | 2009 |
| Wheelbase, mm | 2631 |
| Turning circle, m | 10.9 |



Exterior dimensions

| Exterior dimensions | Golf Estate GTD |
|------------------------------------|-----------------|
| Width - including door mirrors, mm | 2027 |
| Width - excluding door mirrors, mm | 1799 |
| Height, mm | 1470 |

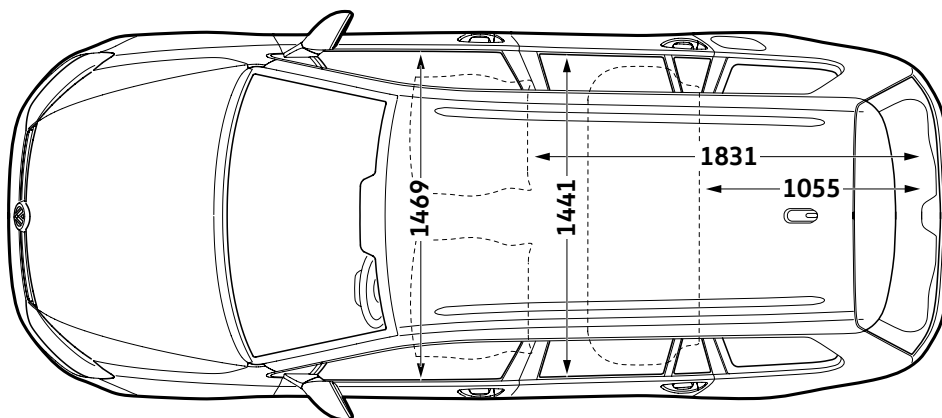
Figures shown are for standard specification models. The addition of certain factory-fitted options and/or accessories may affect some of the dimensions shown.

Golf Estate GTD dimensions



Volkswagen

Interior dimensions



Interior dimensions

Interior width, front, mm

Golf Estate GTD

1469

Interior width, rear, mm

1441

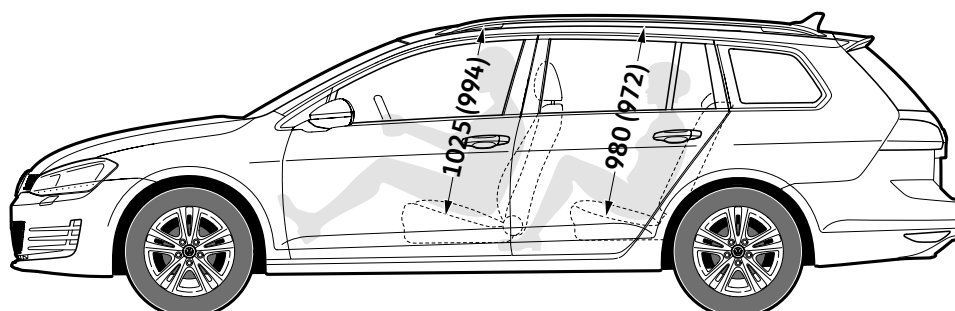
Maximum luggage capacity, litres VDA measuring method using 200 x 100 x 50mm blocks

With rear seats upright

605

With rear seats folded

1620



Interior dimensions

Effective headroom – front, mm (with sunroof)

Golf Estate GTD

1025 (994)

Effective headroom – rear, mm (with sunroof)

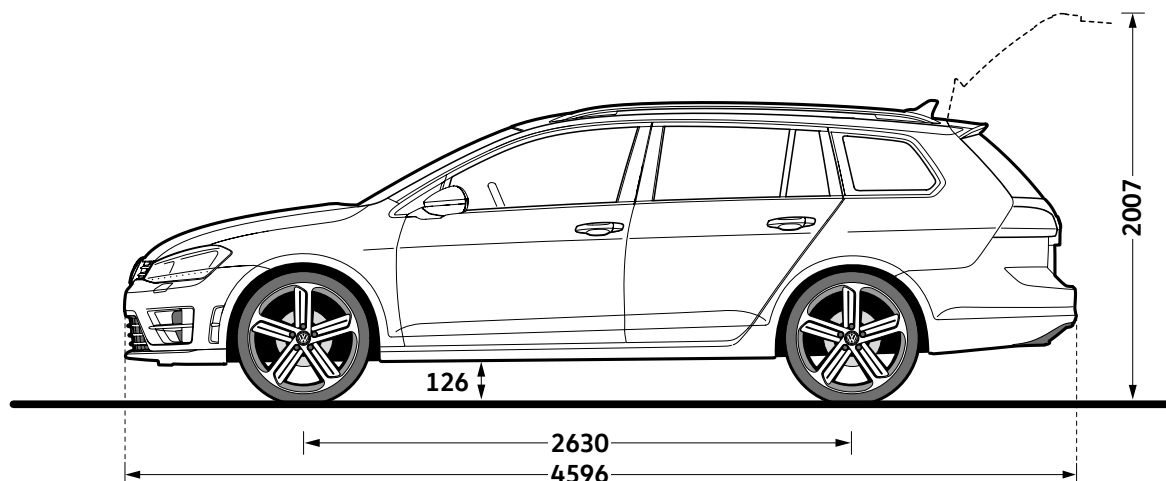
980 (972)

Golf Estate R dimensions



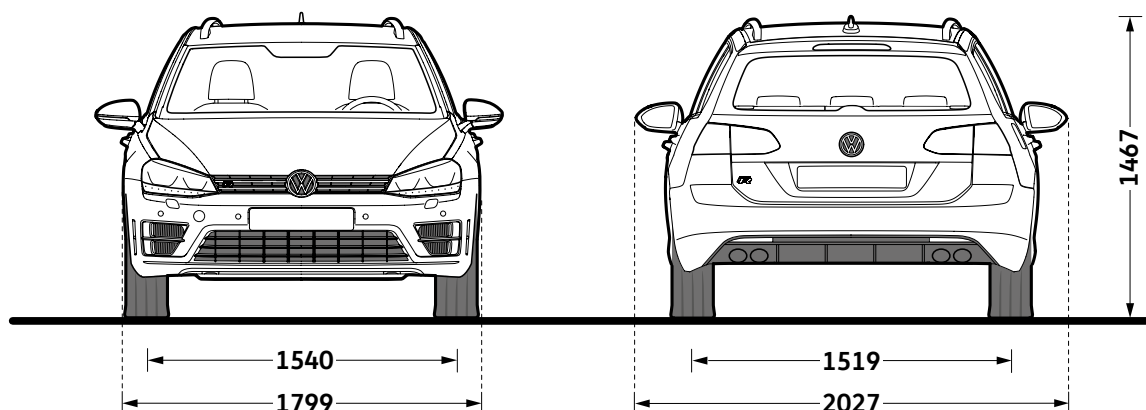
Volkswagen

Exterior dimensions



Exterior dimensions

| | Golf Estate R |
|------------------------------------|---------------|
| Length, mm | 4596 |
| Height - opened tailgate/floor, mm | 2007 |
| Wheelbase, mm | 2630 |
| Turning circle, m | 10.9 |



Exterior dimensions

| | Golf Estate R |
|------------------------------------|---------------|
| Width - including door mirrors, mm | 2027 |
| Width - excluding door mirrors, mm | 1799 |
| Height, mm | 1467 |

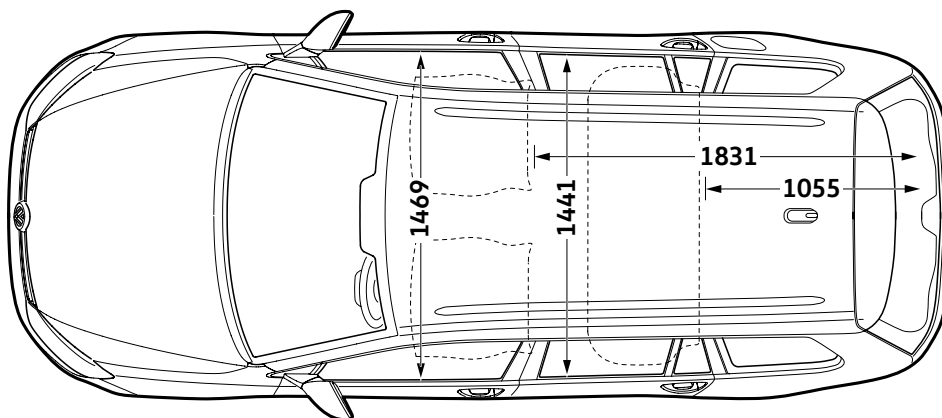
Figures shown are for standard specification models. The addition of certain factory-fitted options and/or accessories may affect some of the dimensions shown.

Golf Estate R dimensions



Volkswagen

Interior dimensions



Interior dimensions

Interior width, front, mm

Golf Estate R

1469

Interior width, rear, mm

1441

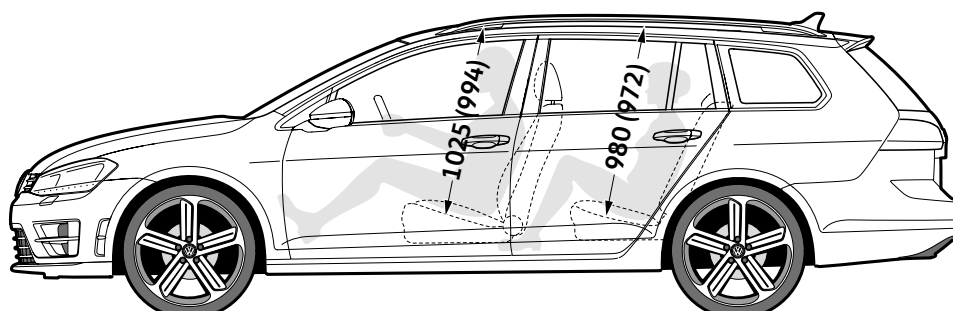
Maximum luggage capacity, litres VDA measuring method using 200 x 100 x 50mm blocks

With rear seats upright

605

With rear seats folded

1620



Interior dimensions

Effective headroom – front, mm (with sunroof)

Golf Estate R

1025 (994)

Effective headroom – rear, mm (with sunroof)

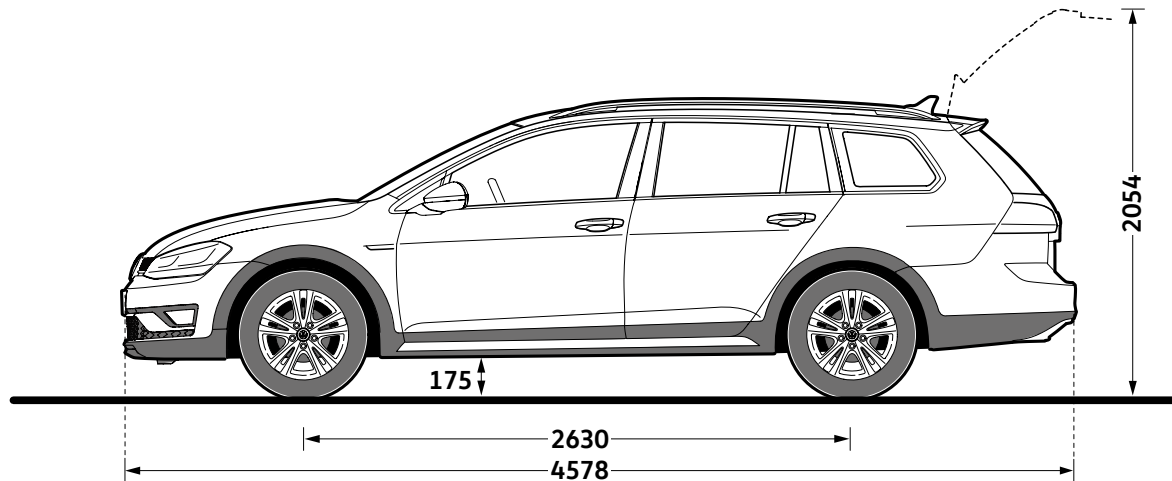
980 (972)

Golf Estate Alltrack dimensions



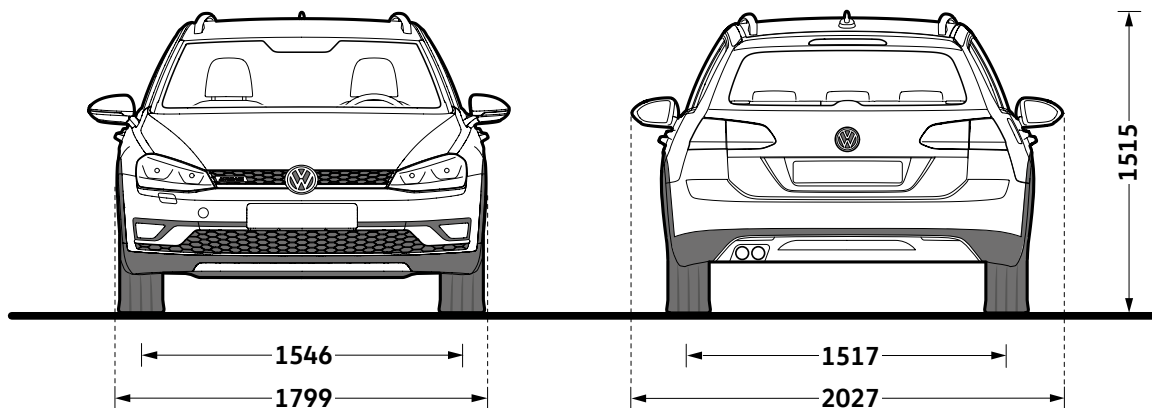
Volkswagen

Exterior dimensions



Exterior dimensions

| Exterior dimensions | Golf Estate Alltrack |
|------------------------------------|----------------------|
| Length, mm | 4578 |
| Height - opened tailgate/floor, mm | 2054 |
| Wheelbase, mm | 2630 |
| Turning circle, m | 10.9 |



Exterior dimensions

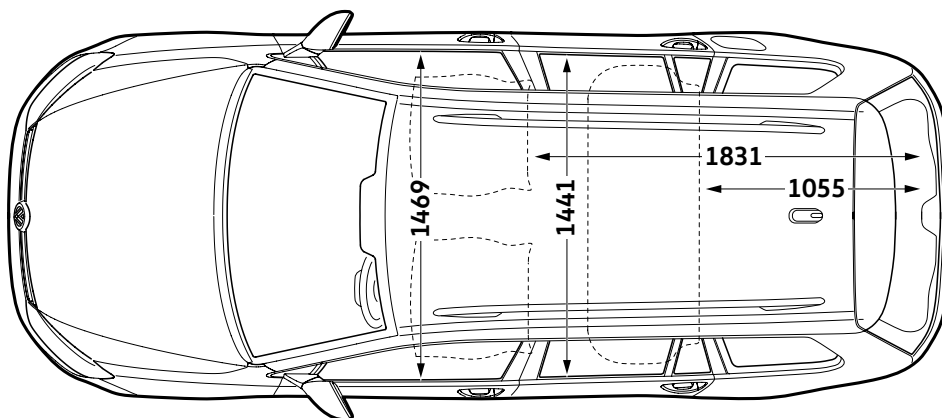
| Exterior dimensions | Golf Estate Alltrack |
|------------------------------------|----------------------|
| Width - including door mirrors, mm | 2027 |
| Width - excluding door mirrors, mm | 1799 |
| Height, mm | 1515 |

Golf Estate Alltrack dimensions



Volkswagen

Interior dimensions



Interior dimensions

Interior width, front, mm

Golf Estate Alltrack

1469

Interior width, rear, mm

1441

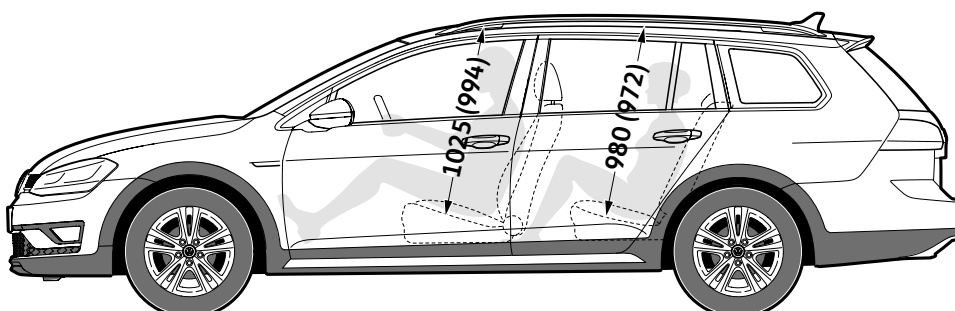
Maximum luggage capacity, litres VDA measuring method using 200 x 100 x 50mm blocks

With rear seats upright

605

With rear seats folded

1620



Interior dimensions

Effective headroom – front, mm (with sunroof)

Golf Estate Alltrack

1025 (994)

Effective headroom – rear, mm (with sunroof)

980 (972)