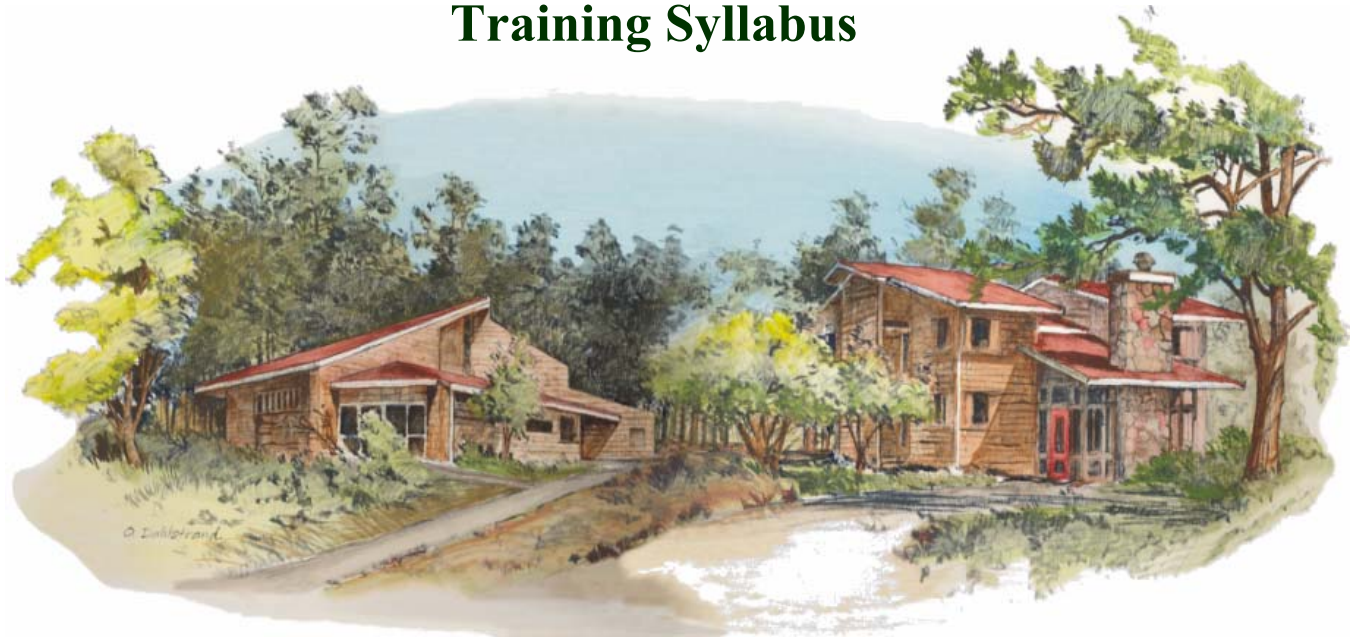


Firearms Inspector Refresher

September 10-16, 2006

Training Syllabus



William Penn Mott Jr. Training Center



TABLE OF CONTENTS

Formal Training Guidelines	2
Program Attendance Checklist	7
Pre-Training Assignment and Practice Quiz.....	8
Firearms Inspector Parts Nomenclature Quiz	9
Post-Training Evaluation	11
Diagrams and Function Tests of the Pistol, Shotgun and AR-15	12
Agenda.....	29
Program Outline – Hourly Breakdown	31
Program Objective.....	32
Firearms Inspector Refresher - Expanded Course Outline.....	36
Maps of the Monterey Peninsula	41

***Mission Statement
Training Office***

***The mission of the Training Office is to improve
organizational and individual performance through
consulting, collaboration, training and
development.***

TRAINING CENTER STAFF

Gail Kirschenman Department Training Officer
Ginger Henry Assistant Department Training Officer
Joanne Danielson Academy Coordinator
Chuck Combs Training Specialist
Michael Green Training Specialist
Michelle Gardner Cadet Training Officer
Connie Breakfield Cadet Training Officer
Pat Bost Assistant Program Coordinator
Pamela Yaeger Assistant Program Coordinator
Summer Kincaid Assistant Program Coordinator
Bill Spencer..... Assistant Program Coordinator
Brian Petersen Program Assistant
Camillia Booth..... Program Assistant

THE MISSION

of the California Department of Parks and Recreation is to provide for the health, inspiration and education of the people of California by helping to preserve the state's extraordinary biological diversity, protecting its most valued natural and cultural resources, and creating opportunities for high quality outdoor recreation.



FORMAL TRAINING GUIDELINES

Welcome to formal training, an essential component in your career development.

Since 1969, our Department has been providing a continuously changing number of diverse training programs at its Training Center. The Department strives to enhance your learning and job performance with formal training of the highest quality. This fact demonstrates the commitment your Department has made to you in your service to the public. This commitment is costly and represents an important investment in you and your career. You and the Department realize a return on that investment by your positive participation and post training follow-through.

The program you will be participating in is described in this training syllabus, which outlines what you can expect from this training and what is expected of you. This syllabus details what you should do before you leave for training; what to do when you arrive; what you will be doing while in training; and, importantly, what you should be able to do when you return to your work site. Specifically:

1. **SYLLABUS:** Your copy of this syllabus is an important part of your training experience and should be brought with you to Training. Read it before you arrive and review it following the program along with material you received at training.
2. **PRE-TRAINING ASSIGNMENTS:** Your completion of pre-training assignments is essential to the success of your training. You are responsible for all reading assignments in preparation for classroom sessions. (Pre-training assignments are listed in the "Program Attendance Requirements" section.)
3. **TRAVEL:** Arrange your travel to and from the Training through your District or Office. (No reimbursement for travel expense - including per diem costs - will be approved for travel not specifically authorized in advance by the District Superintendent.) Individuals may claim reimbursement for incidental expenses incurred as outlined in DAM 0410.6. The Training Center does not have the capability to provide transportation to/from Monterey Airport.

4. HOUSING: Housing will be assigned to you on a shared-room basis and will be available from 3 p.m. on the date of arrival to 12 noon on the date of departure. The Department provides your room and board expenses at the Training Center only. No per diem allowance will be authorized for living off-grounds. This does not preclude living off-grounds at your own expense. Please advise the Department Training Officer no later than one week before your scheduled arrival if you plan to live off-grounds. No animals are permitted in Asilomar housing. In the event of an emergency, staff must know your room assignment, therefore, you may not switch rooms without staff approval. Overnight guests are not allowed in the buildings unless registered beforehand at the front desk in Asilomar's Administration Building. Quiet hour for Lodge living areas is 10 p.m.

HOUSING CANCELLATION POLICY: If you do not need lodging or must change or cancel your reservation, you must contact the Training Center at least 72 hours prior to your date of arrival. The Training Center is committed to ensuring that the reservation that has been made for you is accurate and needed.

5. MEALS: Meals will be provided, semi-cafeteria style, from dinner on the date of arrival through lunch on the date of departure. Meals will be served at 7:15 a.m. for breakfast, 12 noon for lunch, and 6 p.m. for dinner. Hot or box lunches may be provided on some days. **If you require a special diet, notify the Asilomar Chef at 831-372-8016 no later than one week before your scheduled arrival.**
6. OFF-GROUNDS ACCOMMODATIONS: When authorized to stay off-grounds by the Department Training Officer, the Training Center will pickup the cost of your room and meals at the current DPR Asilomar rate. If you stay off grounds and have meals on grounds, the Training Center will authorize only what the Department pays Asilomar for lodging.
7. CLOTHING: Field uniforms of "Required Uniform Items" (not including optional items) will be worn daily by all uniformed employees during formal training sessions unless specified in the Program Attendance Checklist (see "Required Uniforms Items" in the appropriate Uniform Handbook). Non-uniformed employees should wear suitable officer apparel. It does not include such items as shorts, T-shirts or tank tops (special clothing requirements for your program may be described in "Attendance Checklist" section).

Because we are on the conference grounds with many other groups, and the image we project as State Park employees is important not only during working hours but off duty hours as well, your informal sportswear should be appropriate.

8. ROOM SAFES: Recently two safes have been installed in each of the lodge rooms used by the Training Center (Live Oak, Tree Tops, and Deer Lodge). These safes are a type that allows the user to input their own combination of numbers to facilitate opening and closing. The Training Center has a master key for emergency entry. Safes are to be left in the open position when checking out of your room.
9. WEAPONS: Weapons are permitted in rooms under the following conditions. Authorized firearms and magazines stored while at the Training Center shall be in a safe condition and stored in one of the following locations: your room safe in Live Oak, Tree Tops, or Deer Lodge, one of the Training Center's safes in the Whitehead Room or secured in your vehicle.
- 10 ALCOHOLIC BEVERAGES: Participants shall not possess or consume alcoholic beverages in common areas (living rooms) while on the Asilomar Conference Grounds unless provided and hosted by Concessionaire Delaware North.
11. SMOKING: Smoking is not permitted in the Training Center or in any lodge or guest room on the Asilomar Conference Grounds.
12. TRAINING CENTER: The Training Center is located on Asilomar Conference Grounds, part of Asilomar State Beach. The Conference Grounds are operated for our Department by a concessionaire, and all lodging and food services are provided to us by employees of the concessionaire. Constant efforts are made to maintain a sound, harmonious working relationship between the Department and concessionaire. None of us can expect preferential treatment for any reason and, as a departmental employee, you will be expected to join in our continuing effort toward an effective relationship with each Asilomar concession staff member. On occasion, non-departmental groups may be staying in the same lodges. It is imperative that you represent the Department well on and off duty.
13. REGISTRATION: When you arrive at Asilomar Conference Grounds, go directly to the front desk at the Asilomar Administration Building for your room key and dining room ticket. If you require vegetarian meals, notify the front desk representative and your meal ticket will be marked accordingly.
14. COURSE LEADERS: The formal training you will attend is developed and, for the most part, conducted by experienced State Park employees in field and staff positions. Some courses will be conducted by qualified instructors from other agencies and educational institutions. Your course leaders have proven their ability and knowledge in their profession, and provide a level of expertise difficult to match.
15. TRAINING CENTER STAFF: A Training Center staff member has been assigned responsibility for your training group as well as for your training program. That staff member usually serves as a Course Leader as well as a Coordinator. During the

program, you may be asked to assist Training Center staff in the logistics of your training program (organizing field trip transportation, supervising classroom breaks, etc.). Center staff will do all within their power to make your training experience pleasant and meaningful.

16. **TRAINING MATERIALS:** May be made available to you at both your unit and the Training Center. Handout materials issued at your unit should be brought to training for possible use. A conference binder or notebook will be issued to you at the training session for note taking and convenience in handling materials. Copies of DAM and DOM will be available to you for self-study. Bring your own pens and pencils.
17. **ATTENDANCE:** Regular attendance is a critical course requirement and your participation is important to the success of this training. **An absence of more than 10% of the course hours constitutes grounds for dropping a participant from the course.** The Training Center Manager may modify this requirement based upon participant knowledge level and/or the portion of the course missed. (There is a separate attendance policy for Basic Visitor Services training contained in the Participant Handbook).
18. **COLLEGE CREDIT:** Most training programs are accredited by Monterey Peninsula College for lower division credit. If you successfully complete an accredited program, you will receive either a letter grade or a credit/no-credit designation.
19. **VEHICLES:** All vehicles should be parked in the lots adjacent to the Training Center. Any questions regarding use of a State vehicle while at the Training Center should be discussed with your supervisor prior to your departure for training, or with your Program Coordinator while at the Training Center.
20. **BICYCLES:** If you bring your bicycle, store it in the bicycle shed next to the Training Center. Bicycles may not be brought into any building nor chained to lamp posts, trees, etc. The Training Center has a limited number of bicycles available for your use. Prior to your use, you are required to complete a safety inspection and sign a waiver which is posted in the bicycle shed.
21. **MAIL:** Mail forwarded to you during your time at the Center should be addressed to you in care of:

Department of Parks and Recreation
WILLIAM PENN MOTT JR. TRAINING CENTER
P. O. Box 699, Pacific Grove, CA 93950
22. **CELL PHONES:** As a courtesy to your fellow participants and course leaders ensure that your cell phone is turned off during classes. Participants should not be receiving or making cell phone calls during class time. Please limit those calls to your breaks.

23. FAX: The Training Center's Fax number is (831) 649-2824.
24. TELEPHONE: Limit phone calls during classroom hours to urgent business or emergencies. Anyone wishing to contact you by telephone during working hours should call the Center at (831) 649-2954. Calls after 5 p.m. or during weekends should be made to (831) 372-8016, Asilomar Conference Grounds, and the caller should tell the switchboard operator you are with a Department of Parks and Recreations training group.
25. LAUNDRY AND DRY CLEANING: May be taken care of by you at one of several local establishments. An iron is available for 24-hour checkout from the Training Center front desk.
26. RECREATION: Facilities available on grounds include a heated swimming pool, ping-pong and pool tables, and a volleyball court. The Monterey Area offers horseback riding, golf, tennis, racquetball, deep sea fishing, and many historical landmarks and scenic sights to explore.
27. POST-TRAINING ASSIGNMENTS: In connection with formal training are to be completed under the direction of your supervisor. See "Program Attendance Requirements" in this syllabus.
28. COFFEE BREAK REFRESHMENTS: Will be available throughout each session at the Center. You will be asked to contribute to the "Hospitality Fund" to defray expenses. Please bring your own coffee cup.

PROGRAM ATTENDANCE CHECKLIST

To assist you in your preparation for formal training sessions at the William Penn Mott Jr. Training Center, the following checklist is provided:

1. Be sure you have read and understand the Firearms Inspector Training Program Syllabus prior to the first scheduled session.
2. Arrange your travel through your District Office.
3. **Complete the Firearms Inspector Refresher Pre-Training Assignment.**
4. Bring the following with you to training:
 - Firearms Inspector Refresher Training Program Syllabus
 - Firearms Inspector Manual (binder) and any Firearms Inspection Records
 - District/Sector Firearms Inspection Records
 - Current DPR 153D - Weapon Repair History form for each weapon you bring
 - Body Armor, Hearing Protection and Safety Glasses
 - Uniforms are not required for this program. Appropriate attire shall be worn (no shorts, t-shirts or open-toed sandals).
 - Tools and accessories as listed below:
 - Firearms Inspector Tool Kit and Bench Mat
 - Smith & Wesson 4006 semi-auto pistol with at least 3 magazines
 - Colt AR-15 Patrol Rifle with at least 2 magazines (including cleaning rods and other cleaning materials that came with the rifle)
 - Remington 870 shotgun (including original trigger plate pins and keys for locking safety, if so equipped)
 - Appropriate cleaning kits and supplies for all three firearms
 - Small Tape Measure
 - Mini – Maglite or other small flashlight/light source
 - Shop Apron (optional)
 - Any malfunctioning or problem weapons from your District
 - Pens, pencils and coffee cup

PRE-TRAINING ASSIGNMENT AND PRACTICE QUIZ

Pre-training Assignments:

- Read and understand the Firearms Inspector Training Program Syllabus.
- Know the parts nomenclature for the 4006 Pistol, 870 Shotgun and AR-15 Rifle.
- Complete the practice quiz on all three firearms before departing for training.
- Review Function Tests for pistol, shotgun and rifle (demo and explain by course end).
- Bring any problem weapons or weapon parts from your District to the training.

The DPR Armorer/Firearms Inspector Program has an over-all goal of maintaining all DPR firearms at the highest level of reliability and serviceability through a coordinated system of preventive maintenance techniques, annual inspections, function tests, test firing and when necessary, repairs. As a DPR Firearms Inspector, you are required to attend Firearms Inspector Refresher Training (36 hours) on all three weapons every 3 or 4 years. The purpose of this training program is to update you on new material since your last training and increase your knowledge and level of understanding of how the Smith & Wesson Pistol, the Remington 870 Shotgun and the Colt AR-15 Rifle function; observe your disassembly/reassembly and firearms inspection techniques to insure you are performing inspections correctly; and to review any problem areas you or others may be having with the program, all in an effort to increase your skill as a Firearms Inspector. Since this is a refresher class, not a beginning Inspector class, it is expected that your Inspector skills will be at an appropriate level. To insure that those skills are present, please perform 5 pistol, 3 shotgun and 3 AR-15 complete disassemblies and reassemblies in the 4 weeks prior to the class, or an equivalent number of complete inspections on each of the three firearms prior to the class.

Knowing the part names of the Smith & Wesson 4006 pistol, the Remington 870 shotgun and the Colt AR-15 Rifle, **prior to** attendance in these Firearms Inspector classes, **is required**. Part names usually describe the function of the part as well as giving it a name. The student who does not master the part names of these three weapons will find himself/herself struggling to progress normally through the classes and may not successfully complete the program. Knowing the part names will help you relate and describe a problem when consulting with an Armorer, so that the problem can be correctly diagnosed and the correct resolution undertaken. In short, these three weapons are the core of the DPR Firearms Inspector Program and knowing the parts and understanding how they function is **the** critical element of this program.

To help you memorize the names and appearance of these various parts, some exploded views of the pistol, shotgun and AR-15, along with a key to the identification of these parts, are provided in your syllabus. A practice quiz also follows to help you focus on key parts of each firearm – as a study guide, complete the practice quiz prior to the first day of class. The completed practice quizzes will be collected on the first day of the class. A test on parts nomenclature for all three weapons will be part of the final exam for passing the Firearms Inspector Refresher Program. There will also be a practical exam near the end of the course where students will be asked to perform and explain the Function Test on any of the three weapons and several stations where students will be asked to troubleshoot a variety of typical problems in any of the three firearms.

Also, bring any problem guns or parts that you have in your District and we will discuss and repair those problem guns/parts during the class. Bring a **current** DPR 153D- Weapon Repair History form for **every** weapon you bring with you - if one doesn't exist, start a new one.

Firearms Inspector Parts Nomenclature Quiz

Line #	View #	Part Name
--------	--------	-----------

S&W 4006 PISTOL:

- | | | |
|-----|------|-------|
| 1. | (4) | _____ |
| 2. | (6) | _____ |
| 3. | (7) | _____ |
| 4. | (13) | _____ |
| 5. | (12) | _____ |
| 6. | (14) | _____ |
| 7. | (15) | _____ |
| 8. | (16) | _____ |
| 9. | (17) | _____ |
| 10. | (18) | _____ |
| 11. | (19) | _____ |
| 12. | (25) | _____ |
| 13. | (27) | _____ |
| 14. | (28) | _____ |
| 15. | (29) | _____ |
| 16. | (30) | _____ |
| 17. | (32) | _____ |
| 18. | (33) | _____ |
| 19. | (41) | _____ |
| 20. | (42) | _____ |

Remington 870 Shotgun:

- | | | |
|-----|------|-------|
| 21. | (40) | _____ |
| 22. | (45) | _____ |
| 23. | (4) | _____ |
| 24. | (37) | _____ |
| 25. | (57) | _____ |
| 26. | (55) | _____ |
| 27. | (56) | _____ |
| 28. | (65) | _____ |
| 29. | (1) | _____ |
| 30. | (2) | _____ |
| 31. | (7) | _____ |
| 32. | (8) | _____ |
| 33. | (9) | _____ |
| 34. | (10) | _____ |
| 35. | (13) | _____ |
| 36. | (14) | _____ |
| 37. | (15) | _____ |
| 38. | (52) | _____ |
| 39. | (54) | _____ |
| 40. | (59) | _____ |

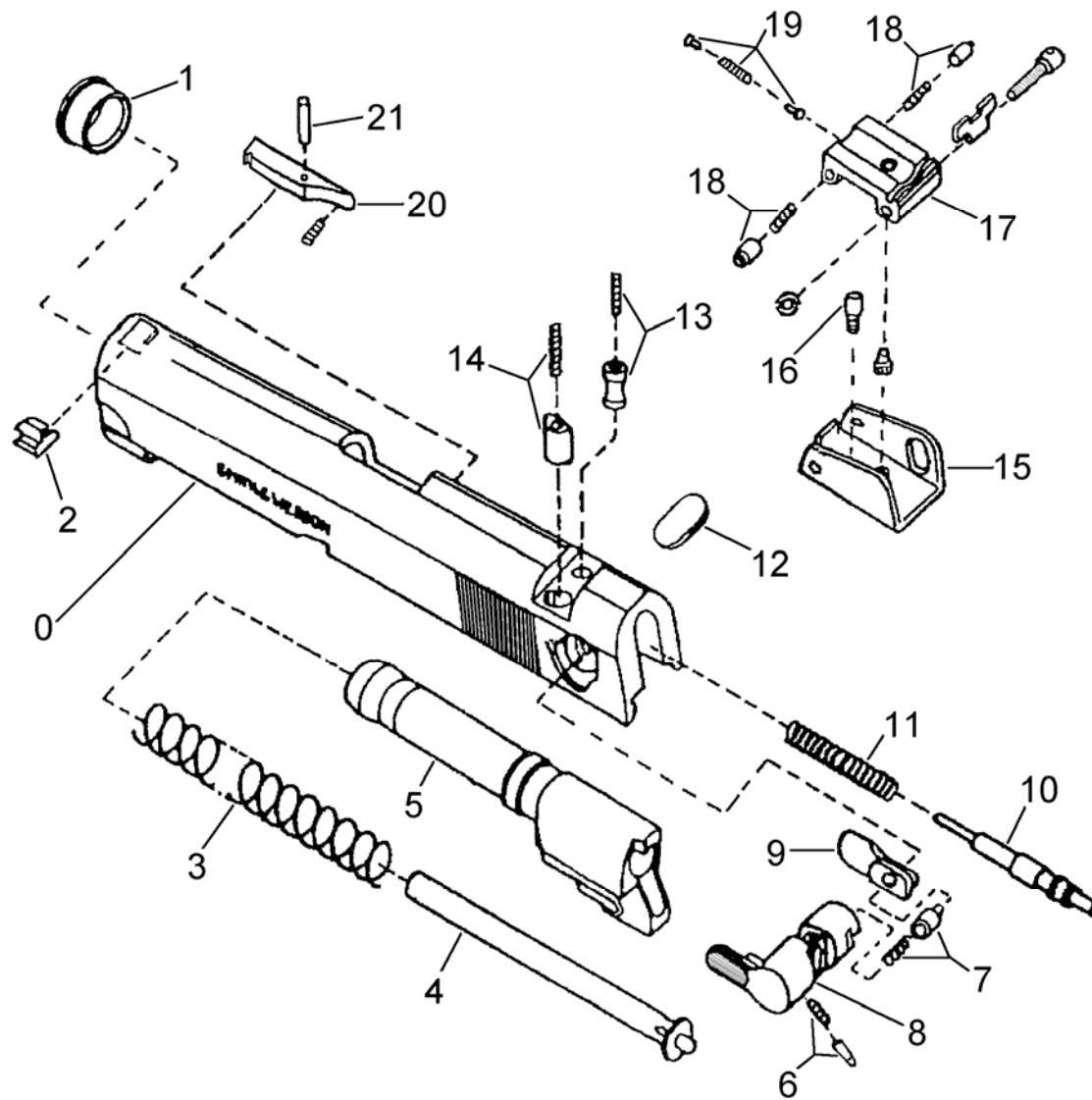
Firearms Inspector Parts Quiz – Key
Page 2

Line #	View #	Part Name
AR-15 – Bolt/Bolt Carrier Group:		
41.	(1)	_____
42.	(14)	_____
43.	(15)	_____
44.	(16)	_____
45.	(17)	_____
46.	(5)	_____
47.	(9)	_____
48.	(7)	_____
49.	(8)	_____
50.	(12)	_____
AR-15 – Upper Receiver Group:		
51.	(6)	_____
52.	(7)	_____
53.	(8)	_____
54.	(9)	_____
55.	(11)	_____
AR-15 – Lower Receiver Group:		
56.	(23)	_____
57.	(19)	_____
58.	(7)	_____
59.	(6)	_____
60.	(10)	_____
61.	(11)	_____
62.	(28)	_____
63.	(29)	_____
64.	(18)	_____
65.	(15)	_____

POST-TRAINING ASSIGNMENT

Prior to ninety days after the completion of this program, the employee and his/her supervisor should sit down and discuss the impact and assess the effectiveness this program has had on the employee. Then both the supervisor and employee should login to the Employee Training Management System (ETMS) and complete the Post-Training Evaluation form (an email will be sent to both employee and supervisor notifying them that the evaluation needs to be completed). Once you login to the ETMS, you will need to fill out the evaluation form before you will be able to do anything else.

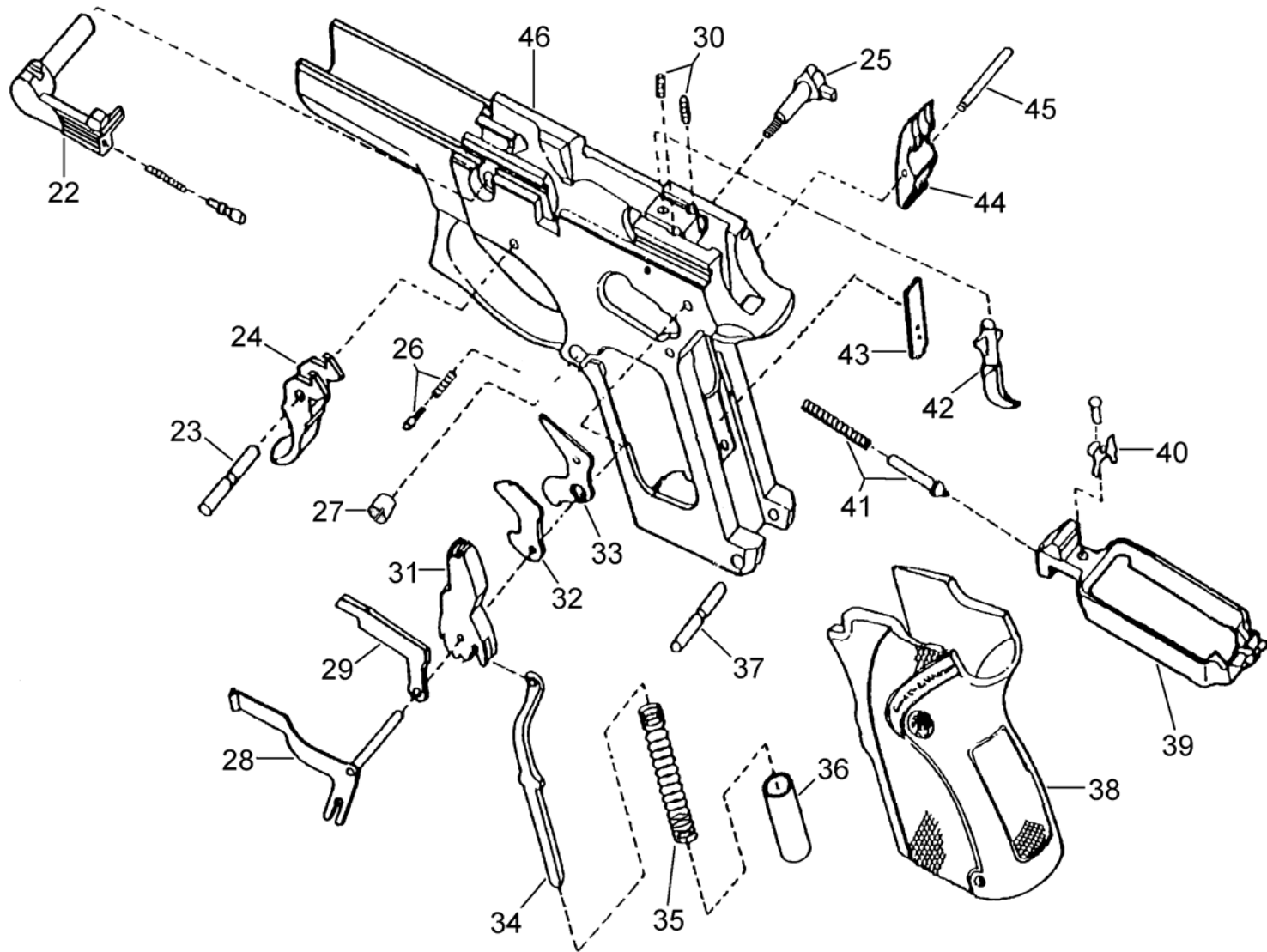
The post-training evaluation process is intended to provide a bridge between classroom instruction and the on-the-job application of training. The information obtained through this process will assist the training participant, supervisor, and Training Center in providing a return on the investment the Department has on training.



S & W MODEL 4006 – IMPORTANT SLIDE ASSEMBLY PARTS

Smith & Wesson – Model 4006 IMPORTANT SLIDE ASSEMBLY - PARTS

VIEW #	PART NAME	VIEW #	PART NAME
0.	Slide	12.	Firing Pin Safety Lever Spring Retainer
1.	Barrel Bushing	13.	Firing Pin Safety Lever Plunger/Spring
2.	Front Sight	14.	Ejector Depressor Plunger/Spring
3.	Recoil Spring	15.	Rear Sight Base
4.	Recoil Spring Guide Assembly	16.	Rear Sight Base Screw
5.	Barrel	17.	Rear Sight Body
6.	Ambidextrous Manual Safety Body Plunger/Spring (round-head plunger/heavy-coil spring, black)		Rear Sight Slide (blade)
7.	Ambidextrous Manual Safety Lever Plunger/Spring (flat-head plunger/light-coil spring, light blue)		Rear Sight Windage Screw
8.	Ambidextrous Manual Safety Body (de-cocking lever and body)		Rear Sight Windage Nut
9.	Ambidextrous Manual Safety Lever (right-side lever)	18.	Rear Sight Elevation Screw
10.	Firing Pin	18	Rear Sight Body Plunger/Spring (2)
11.	Firing Pin Spring	19.	Rear Sight Elevation Plunger (2)/Spring
		20.	Extractor
			Extractor Spring
		21.	Extractor Pin



S & W MODEL 4006 – IMPORTANT FRAME ASSEMBLY PARTS

Smith & Wesson – Model 4006 IMPORTANT FRAME ASSEMBLY - PARTS

VIEW #	PART NAME	VIEW #	PART NAME
22.	Slide Stop	35.	Mainspring
	Slide Stop Plunger/Spring	36.	Mainspring Plunger
23.	Trigger Pin (or Insert Pin)	37.	Grip Pin
24.	Trigger	38.	Grip
25.	Magazine Catch	39.	Drawbar
26.	Magazine Catch Plunger/Spring	40.	Trigger Play Spring
27.	Magazine Catch Nut		Trigger Play Spring Rivet
28.	Sideplate Assembly	41.	Drawbar Plunger/Spring
29.	Ejector (and Magazine Depressor)	42.	Disconnecter
30.	Ejector Spring (2)	43.	Sear Spring
31.	Hammer	44.	Sear
32.	Sear Release Lever	45.	Sear Pin
33.	Firing Pin Safety Lever	46.	Frame
34.	Stirrup		

DPR S&W PISTOL FUNCTION TEST:

(Note: to be performed after each cleaning and/or disassembly - weapon must pass all checks)

- 1) **Pistol is in a SAFE condition:** Magazine removed, slide locked to the rear - check the chamber to be sure it is **EMPTY**. Double check that the pistol is **UNLOADED!**
All magazines are available and empty. No live ammunition nearby.
Check the overall appearance of the pistol.
- 2) **Bore Check:** Slide locked to the rear - insert your thumbnail or a piece of white paper into the ejection port to reflect light up through the bore and look down the bore from the muzzle end – *the bore must be clear of obstructions.*
Alternate Method: Slide locked to the rear - run a “Bore Snake” or cleaning rod with a patch down the bore, from the muzzle and out the ejection port to insure the bore is clear of obstructions.
- 3) **Slide on Frame Smooth:** Magazine removed, work the slide back and forth - *there must be no roughness or sticking.*
Repeat this check – with a magazine in and holding slide stop down.
- 4) **De-cocking Lever:** Cock the hammer in single-action (S/A) with slide forward (closed). Now rotate the de-cocking lever DOWN – *the hammer must fall.* Insert a magazine, leave the de-cocking lever in the DOWN position, and pull the trigger to the rear – *the hammer must not engage or move with trigger* (you should have “air trigger”). Magazine in, move the de-cocking lever to the UP position and pull the trigger all the way to the rear – *the hammer must engage and move with trigger and fall by the end of trigger travel to the rear.* This checks that the double-action trigger pull (D/A) is working properly. Next, check the S/A trigger pull – de-cocking lever UP, cock the hammer in S/A with the slide closed. Now pull the trigger through in S/A – *the hammer must fall.*
- 5) **Magazine Disconnect:** De-cock lever in the UP position, release the magazine, pull the trigger – *the hammer must not engage (D/A).* Also check the S/A magazine disconnect – cock the hammer, slide closed, invert the pistol, release the magazine and pull the trigger – *the hammer must not fall.*
- 6) **Magazines Lock/Release (check all magazines):** Slide closed, insert a magazine into the magazine well – *the magazine must lock securely and must fall free when the magazine catch is depressed.* Next, lock the slide open and insert a magazine – *the magazine must lock securely and it must drop free when released with slide locked open.* Repeat these checks with all magazines.
- 7) **Slide Stop:** Insert a magazine and pull the slide fully to the rear – *the slide stop must self-engage and lock the slide open.* **Release Checks:** with the slide locked to the rear, then depress slide stop – *the slide must release, move forward and close.* Next, re-lock the slide to the rear and release the magazine. Now, pull the slide to the rear and release – *the slide must release from the slide stop, move forward and close.* *Note: for both release checks, the slide must release and move forward, unassisted, to a fully-closed/battery position.*
- 8) **1/4" Disconnect:** De-cocking lever in the UP position, insert a magazine, cock the hammer in S/A with slide closed. Next, slowly move the slide to the rear until the barrel starts to unlock, now pull the trigger – *the hammer must not fall (S/A).* Now de-cock the hammer and check the D/A disconnect. Start with the slide closed, the de-cocking lever UP and the hammer down. Next, slowly move the slide to the rear until the barrel starts to unlock, now pull the trigger – *the hammer must not engage or move with trigger (D/A).*
- 9) **Pistol is in a SAFE condition:** De-cock the hammer, remove the magazine, lock the slide to the rear and check the chamber to be sure it is **EMPTY**. The Function Test is complete.

REMINGTON MODEL 870™

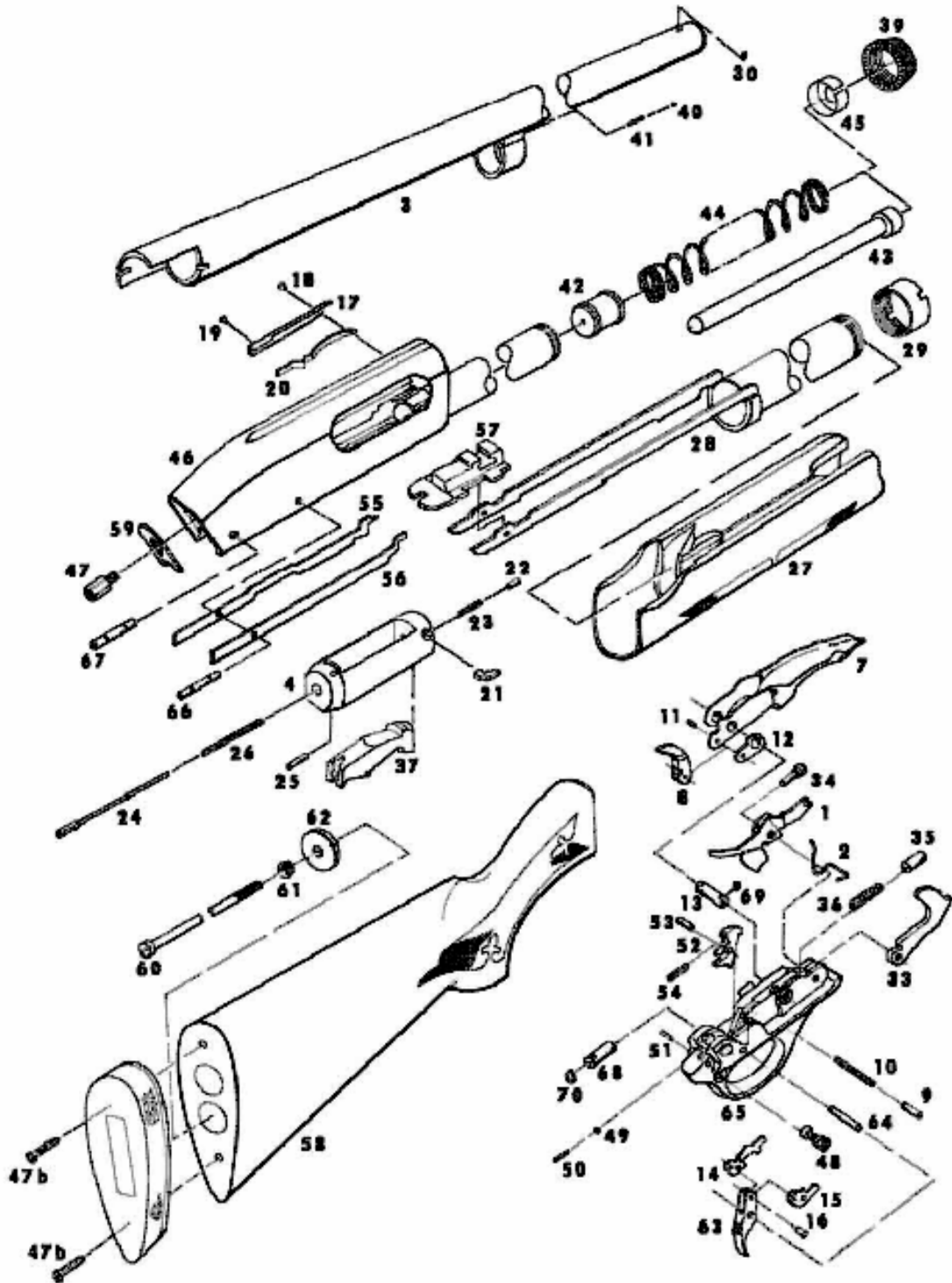
Pump Action Shotgun

PARTS LIST

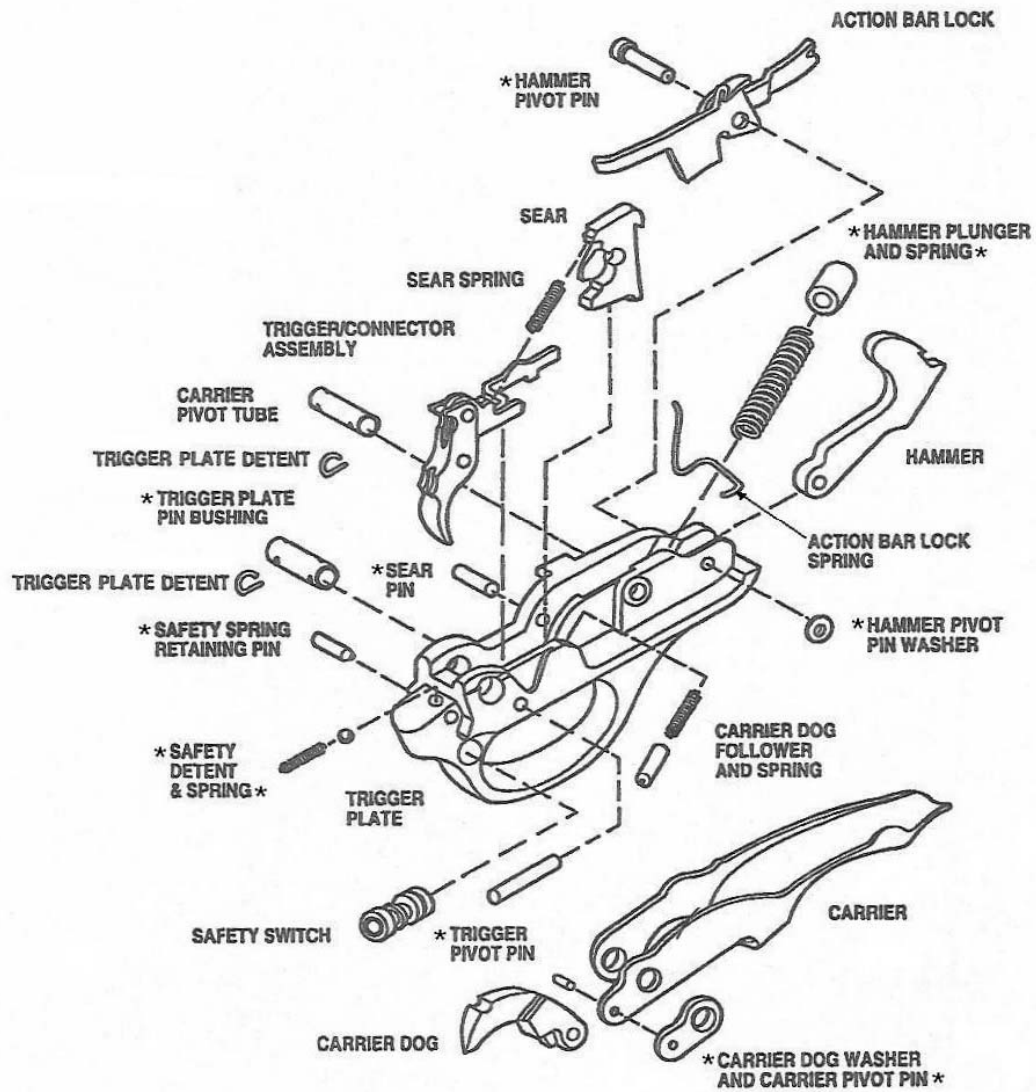
VIEW #	PART NAME	VIEW #	PART NAME
1	Action Bar Lock	37	Locking Block Assembly
2	Action Bar Lock Spring	39	Magazine Cap
NOTE: All barrels (same gauge) are interchangeable without adjustment.			
3	Barrel Assembly	40	Magazine Cap Detent
4	Breech Bolt	41	Magazine Cap Detent Spring
7	Carrier	42	Magazine Follower
8	Carrier Dog	43	Magazine Plug, 3-Shot
9	Carrier Dog Follower	44	Magazine Spring
10	Carrier Dog Follower Spring	45	Magazine Spring Retainer
✕ 11	Carrier Dog Pin	46	Receiver Assembly (Restricted)
✕ 12	Carrier Dog Washer	47	Receiver Stud
13	Carrier Pivot Tube	47b	Recoil Pad Screw
14	Left Connector	48	Safety Mechanism
15	Right Connector	✕ 49	Safety Mechanism Detent Ball
✕ 16	Connector Pin	✕ 50	Safety Mechanism Spring
17	Ejector	✕ 51	Safety Mechanism Spring Retaining Pin
18	Ejector Rivet, Front	52	Sear
19	Ejector Rivet, Rear	✕ 53	Sear Pin
20	Ejector Spring	54	Sear Spring
21	Extractor	55	Left Shell Latch
22	Extractor Plunger	56	Right Shell Latch
23	Extractor Spring	57	Slide Assembly
24	Firing Pin	58	Stock Assembly
25	Firing Pin Retaining Pin	59	Stock Bearing Plate
26	Firing Pin Retractor Spring	60	Stock Bolt
27	Fore-end Assembly	61	Stock Bolt Lock Washer
28	Fore-end Tube Assembly	62	Stock Bolt Washer
29	Fore-end Tube Nut	63	Trigger Assembly (Restricted)
30	Front Sight	✕ 64	Trigger Pin
33	Hammer	65	Trigger Plate Assembly (Restricted)
✕ 34	Hammer Pin	66	Trigger Plate Pin, Front
✕ 35	Hammer Plunger	67	Trigger Plate Pin, Rear
✕ 36	Hammer Spring	✕ 68	Trigger Plate Pin Bushing
		69	Trigger Plate Pin Detent Spring, Front
		70	Trigger Plate Pin Detent Spring, Rear

✕ It is not necessary to memorize these part names.

Remington Model 870 Shotgun



Internal Parts of Fire Control Remington Model 870



* It is not necessary to memorize these part names.

For Information Only: Do Not Disassemble

DPR 870 SHOTGUN FUNCTION TEST:

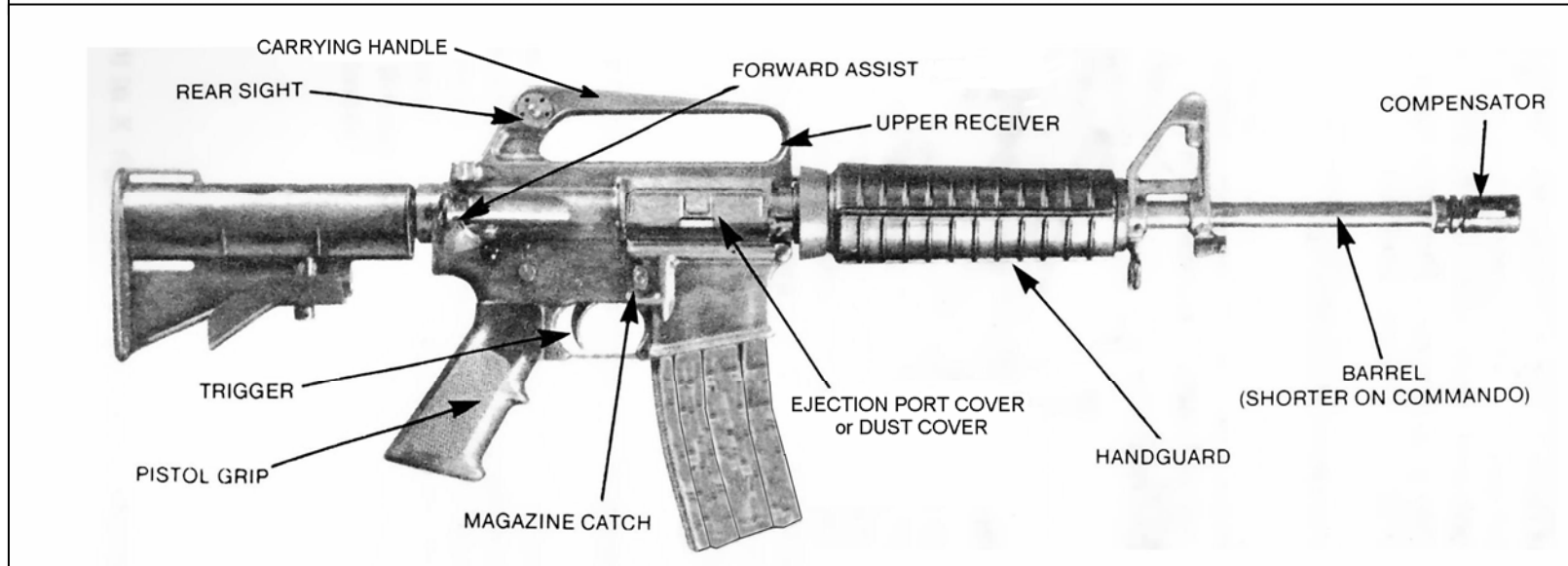
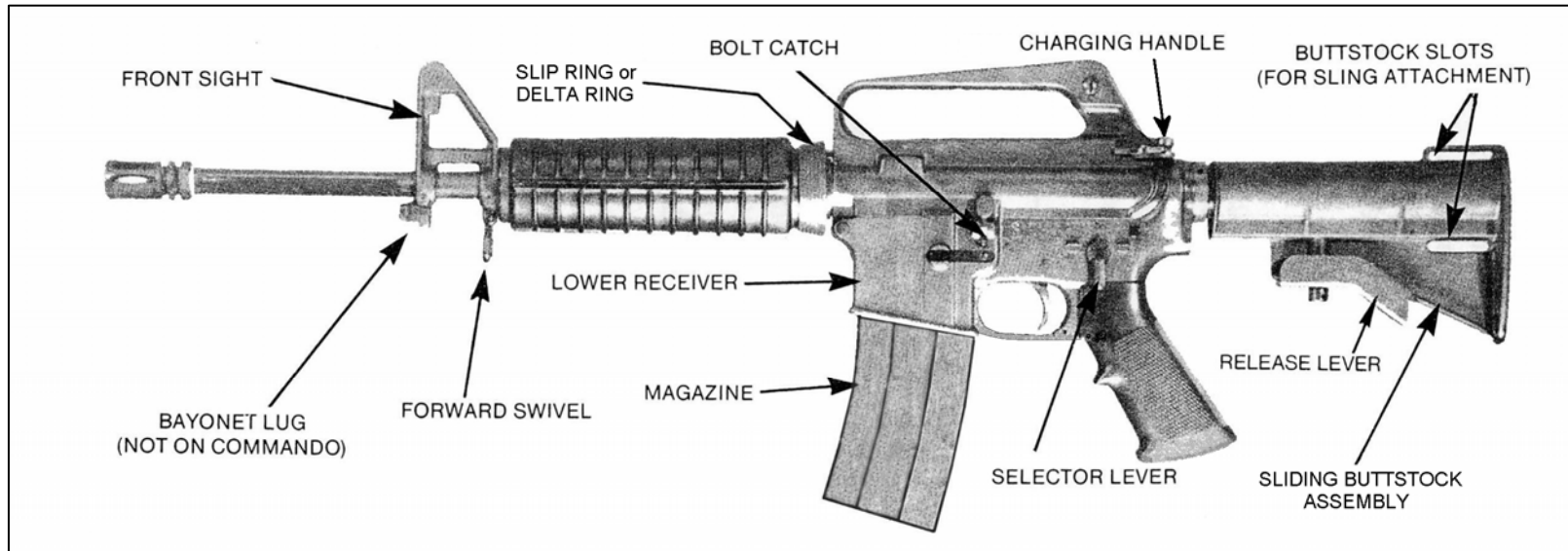
(Note: performed after each cleaning and/or disassembly – weapon must pass all checks)

- 1) **Shotgun is in a SAFE condition:** Safety to the "safe" position, open the action, and check that the magazine tube and the chamber are EMPTY. Double check that the shotgun is **UNLOADED!**
No live ammunition nearby.
Check the overall appearance of the shotgun.
- 2) **Bore Check:** Safety to "safe" position, action open and look down the bore – *the bore must be clear of obstructions.*
Alternate Method: Open the action/bolt and run a "Bore Snake" or cleaning rod with a patch down the bore to insure the bore is clear of obstructions.
- 3) **Action Works Smoothly:** Depress the action release and work the slide back and forth several times - *the action must be free of roughness or sticking.*
- 4) **Safety Check:** Move the safety back and forth – *the safety must click into "safe"/"fire" positions.* Move the safety to the "safe" position, pull the trigger – *the hammer must not fall.* Move the safety to the "fire" position, pull the trigger – *the hammer must fall.*
- 5) **Disconnecter Check:** Safety to the "fire" position, open the action, hold the trigger to the rear while closing the action - *weapon must not fire until the trigger is released and then re-pulled.*
- 6) **Action Bar Lock Check:** Safety to the "fire" position, fully close the slide, and then without depressing the action bar lock, attempt to pull the slide to the rear – *the slide must not move to the rear if the action bar lock is working properly.* Next, depress the action bar lock and move the slide to the rear – *the slide must move rearward.* Now, close the action and attempt to pull the slide to the rear – *the slide must not move to the rear.* Next, pull the trigger and move the slide to the rear – *the slide must move rearward.*
- 7) **Shell Carrier/Shell Stops Checks:** Safety to the "safe" position, action closed and invert the shotgun with magazine loading port up. Identify and push up on shell carrier – *it must be spring-loaded.*
Next, identify and depress the left shell stop (it will be to the right when the shotgun is belly up) – *it should be spring-loaded.* Now, release and open the action a little over half way. Identify and depress the right shell stop - *it should also be spring-loaded.*
- 8) **Magazine Cap/Magazine Follower Checks:** Safety to the "safe" position and action open. Check that the magazine cap or magazine extension is tight. Next, identify the orange law enforcement follower - *it must be present and spring loaded.*
- 9) **Shotgun in a SAFE condition:** Safety to the "safe" position, action open, magazine tube and chamber are EMPTY. The Function Test is complete.

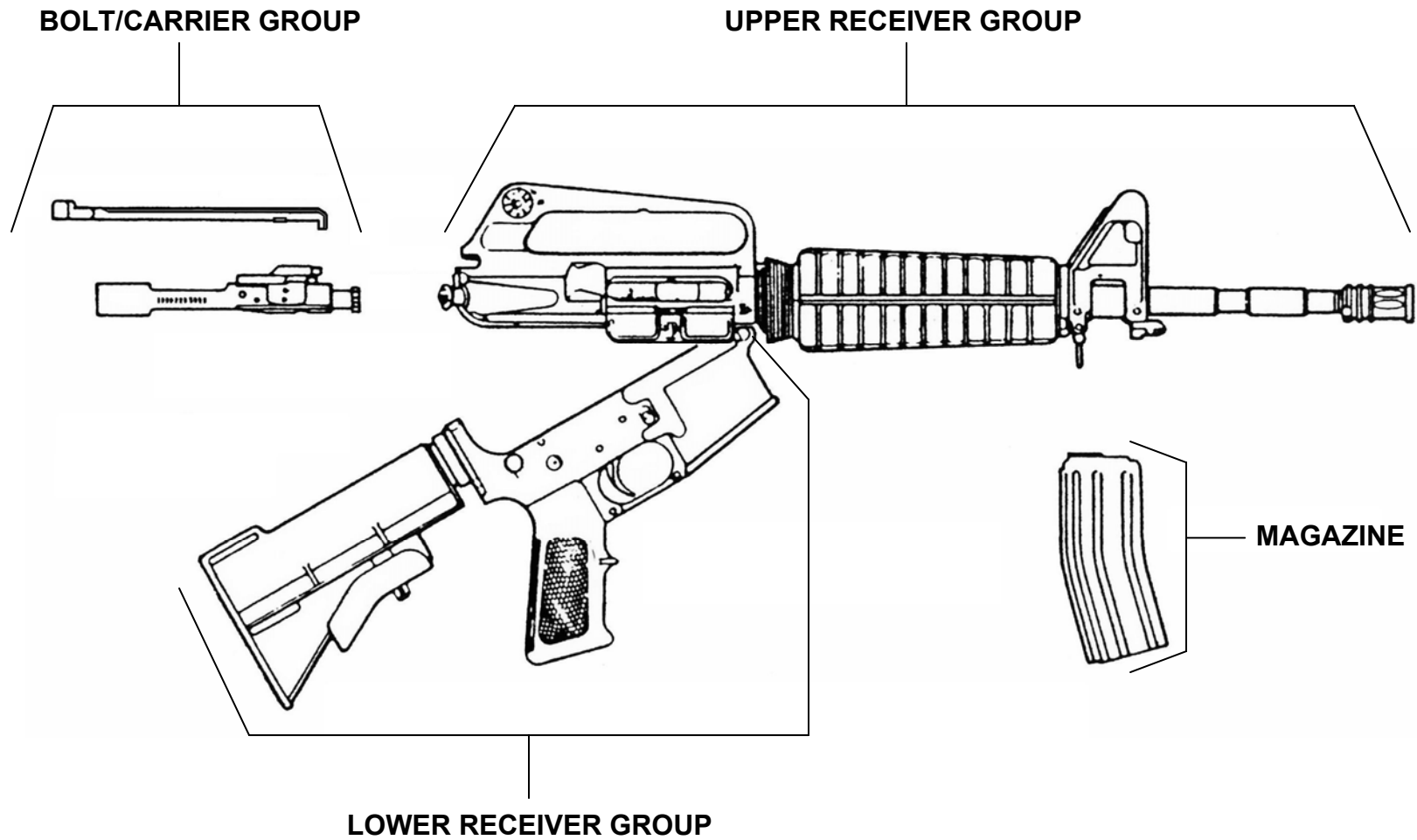
Continue with Nos. 10-12 if this is a Pre-Duty Check:

- 10) **Front/Rear Sight Check:** Inspect front and rear sights - *they must be present and in good condition.*
- 11) **Accessories Check:** Inspect accessories such as tactical light, tactical sling, etc. - *they must be in working order. Tactical sling - check to insure proper sizing adjustment for the officer.*
- 12) **Duty Carry Condition:** Safety to "safe" position, action open, magazine tube and chamber EMPTY.
Next, close the action, fully load the magazine tube and "Side Saddle" and secure in vehicle gun lock.

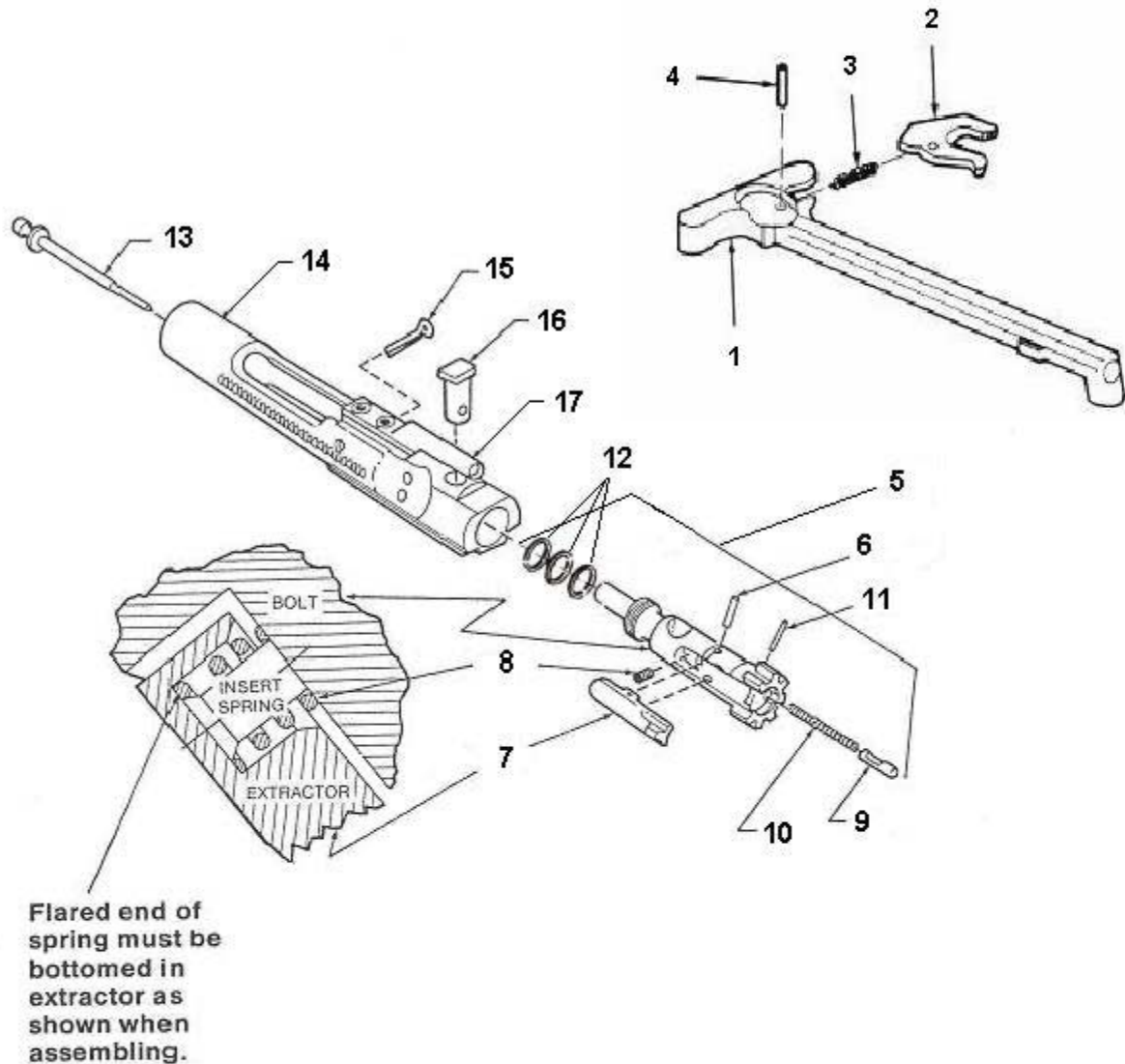
AR-15 NOMENCLATURE



AR-15 MAJOR ASSEMBLY GROUPS



BOLT and BOLT CARRIER GROUP



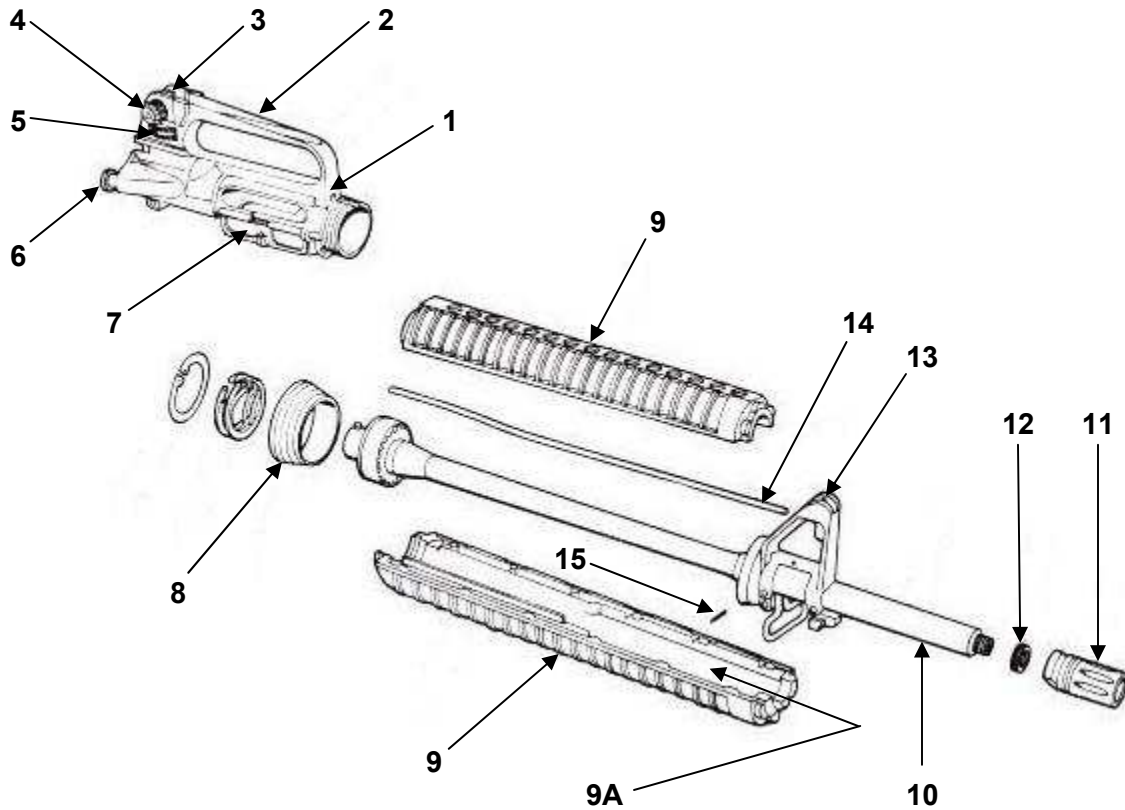
CHARGING HANDLE ASSEMBLY

- 1 – Charging Handle (body)
- 2 – Charging Handle Latch
- 3 – Charging Handle Latch Spring
- 4 – Charging Handle Roll Pin

BOLT and BOLT CARRIER ASSEMBLIES

- 5 – Bolt Assembly
- 6 – Extractor Pin
- 7 – Extractor
- 8 – Extractor Spring/Insert
- 9 – Ejector
- 10 – Ejector Spring
- 11 – Ejector Roll Pin
- 12 – Bolt (Gas) Rings (3)
- 13 – Firing Pin
- 14 – Bolt Carrier Assembly
- 15 – Firing Pin Retaining Pin
- 16 – Cam Pin
- 17 – Bolt Carrier Key or Gas Key

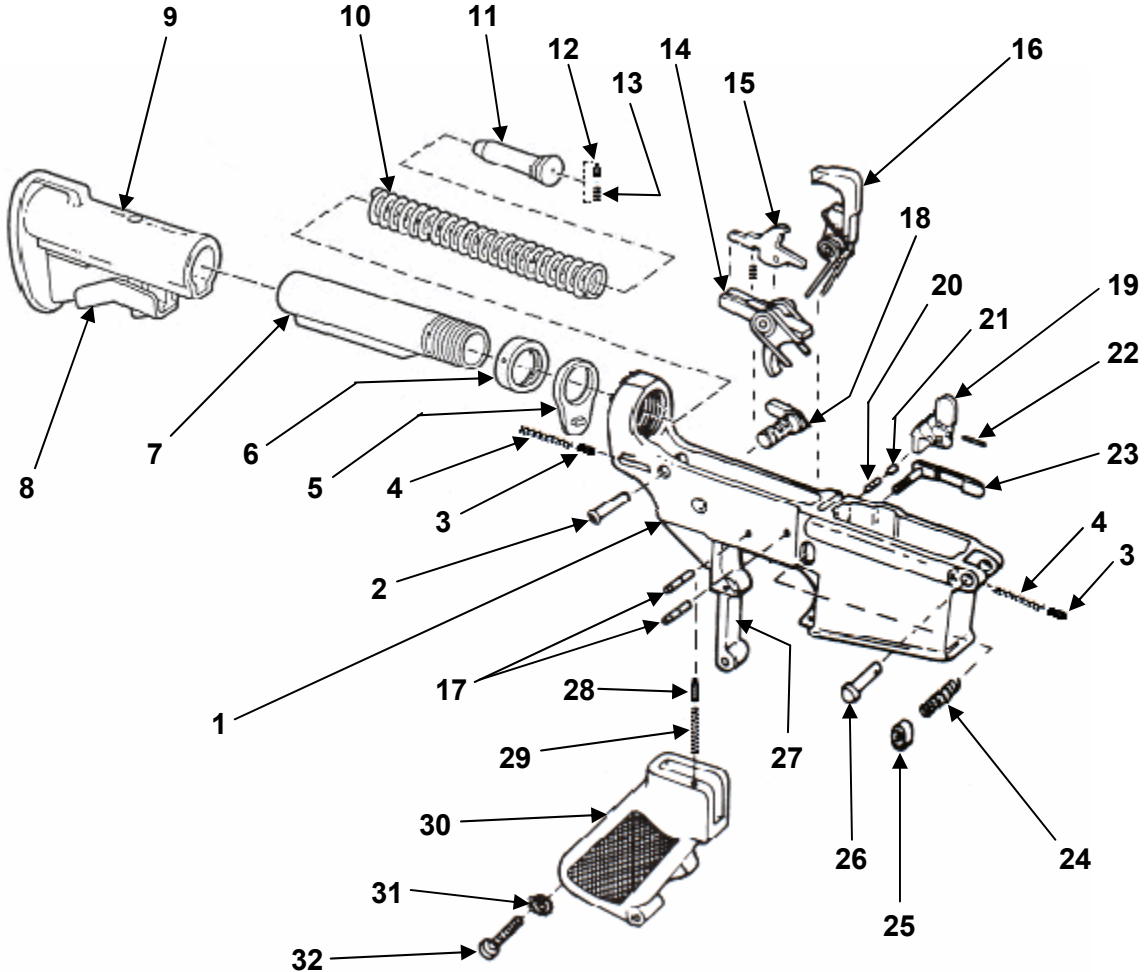
UPPER RECEIVER GROUP



- 1 – Upper Receiver Assembly
- 2 – Carrying Handle
- 3 – Rear Sight
- 4 – Windage Knob
- 5 – Elevation Knob
- 6 – Forward Assist
- 7 – Ejection Port Cover or Dust Cover
- 8 – Slip Ring or Delta Ring

- 9 – Handguard Assembly
- 9A – Handguard Heat Shields
- 10 – Barrel
- 11 – Compensator
- 12 – Peel Washer
- 13 – Front Sight
- 14 – Gas Tube
- 15 – Gas Tube Roll Pin

LOWER RECEIVER GROUP



- 1 – Lower Receiver
- 2 – Take Down Pin
- 3 – Take Down Pin Detent
- 4 – Take Down Pin Detent Spring
- 5 – Receiver End Plate
- 6 – Receiver Extension Nut
- 7 – Receiver Extension
- 8 – Release Lever
- 9 – Sliding Buttstock
- 10 – Action Spring
- 11 – Buffer Assembly

- 12 – Buffer Retainer
- 13 – Buffer Retainer Spring
- 14 – Trigger/Spring
- 15 – Disconnecter/Spring
- 16 – Hammer Assembly/Spring
- 17 – Hammer/Trigger Pins
- 18 – Selector Lever
- 19 – Bolt Catch
- 20 – Bolt Catch Spring
- 21 – Bolt Catch Plunger
- 22 – Bolt Catch Roll Pin

- 23 – Magazine Catch
- 24 – Magazine Catch Spring
- 25 – Magazine Release Button
- 26 – Receiver Pivot Pin
- 27 – Trigger Guard Assembly
- 28 – Selector Lever Detent
- 29 – Selector Lvr. Detent Spring
- 30 – Pistol Grip
- 31 – Pistol Grip Lock Washer
- 32 – Pistol Grip Screw

DPR AR-15 RIFLE FUNCTION TEST:

(Note: to be performed after each cleaning and/or disassembly – rifle must pass all checks)

- 1) **Rifle is in a SAFE condition:** Selector on "SAFE", magazine removed, bolt locked open – check the chamber to be sure it is **EMPTY**. Double check that the Rifle is **UNLOADED!**
All magazines are available and empty. No live ammunition is nearby.
Check the overall appearance of the rifle.
- 2) **Bore Check:** Selector on "SAFE", close the bolt, push out the takedown pin, hinge-open the upper and lower receivers, remove the bolt/carrier group and look down the bore – *the bore must be clear of obstructions*. Re-install the bolt/carrier group, close up the receivers and re-install the takedown pin. Lock the bolt open.
Alternate Method: Lock the bolt open and run a "Bore Snake" or cleaning rod with a patch down the bore to insure the bore is clear of obstructions.
- 3) **Selector (Safety) Check:** Selector on "SAFE", pull the charging handle to the rear and release to close the bolt. Now, pull the trigger – *the hammer must not fall*.
- 4) **Semi-Auto/Disconnecter Check:** Move the selector to "SEMI". Pull the trigger to the rear – *the hammer must fall*. Continue holding the trigger to the rear. Pull charging handle to the rear and release while holding the trigger to the rear (*the hammer must not fall – it is being held by the disconnecter*). Next, release the trigger and listen for the "thunk" – (hammer is released from the disconnecter and transferred to the trigger/hammer engagement surface (*hammer still must not fall*)). Now, pull the trigger to the rear - *now the hammer must fall*.
- 5) **Forward Assist Check:** Selector on "SEMI" and bolt closed. Pull the charging handle about 1 inch to the rear and then slowly ease the charging handle forward, keeping the bolt from going all the way forward and locking. Now depress the forward assist a couple of times- *the bolt must be moved forward and lock into battery position*.
- 6) **Magazines Lock/Release (check all magazines):** Selector on "SEMI" and bolt closed. Insert an empty magazine into the magazine well – *the magazine must lock securely and it must drop free when the magazine catch is depressed*. Next, lock the bolt open and insert a magazine – *the magazine must lock securely and must drop free when released with bolt locked open*.
Repeat these checks with all magazines.
- 7) **Bolt Catch Checks:** Selector on "SEMI" and bolt closed. Insert an empty magazine. Pull the charging handle fully to the rear and push forward until the handle latches – *the bolt must stay to the rear*. **Release Checks:** with the bolt locked open, depress the bolt catch - *bolt must release and move forward, unassisted, to fully-closed/battery position*. Now, re-lock the bolt to the rear again, latch the charging handle and release the magazine. Next, pull the charging handle fully to the rear and release – *the bolt must release, move forward and fully close*.
- 8) **Rifle in a SAFE condition:** Selector on "SAFE", magazine removed, bolt locked open and chamber **EMPTY**. The Function Test is complete.

Continue with nos. 9-11 if this is a Pre-Duty Check:

- 9) **Front/Rear Sight Check:** Inspect the front and rear sights - *they must be in working order and have not been moved from their “zeroed” positions.*
- 10) **Accessories Check:** Inspect all accessories such as magazine pouches, optics, tactical light, tactical sling, etc. - *they must all be present, properly installed, clean and in working order.*
Tactical sling - *check to insure proper sizing adjustment for the officer that will be carrying the rifle.*
- 11) **Duty Carry Condition:**
 - 1) Rifle is in a safe condition - set selector on “Safe”, magazine removed, bolt locked open and check the chamber to be sure it is EMPTY.
 - 2) Load all magazines with DPR “duty” ammo- downloaded by 2 from maximum capacity.
 - 3) Close the bolt, close the dust cover, insert an 18 or 28 round loaded magazine into the magazine well and ensure that it is properly seated, and secure the patrol rifle in the vehicle gun lock.

FIREARMS INSPECTOR REFRESHER GROUP 3
September 10-16, 2006

Special Notice: This program will be conducted at the Mott Training Center Shop Annex, 2211 Garden Road, Building C, Monterey, California (see map in syllabus). No live ammo or loaded weapons will be permitted in the classroom.

Sunday

September 10

1500- Instructors Check-in at the Asilomar Administration Building

Monday

September 11

1500- Participants Check-in at the Asilomar Administration Building

Tuesday

September 12

0800-0830	Program Orientation	Danielson
0830-0930	Introductions, Course Objectives, Review Firearms Inspector Program - Duty Statements, Geographic Areas, Legal Responsibilities and DPR Policies	Wilbur
0930-1000	Parts, Tools, Supplies and SAFETY	Falat/Poole
1000-1100	Shipping Weapons, Forms and Record Keeping Review	Bennett
1100-1200	S&W 4006 – Disassembly/Reassembly Review, Tips and Tricks	Grennell/ VanEtten-Collins
1200-1300	<i>Lunch</i>	
1300-1400	Pistol Safeties and Cycle of Operation Review (FCLFUEEC)	Michel
1400-1500	Smith & Wesson Pistol Inspection Methods - New Information	Michel
1500-1700	S&W 4006 Inspection Methods and Function Test	Michel

September 13

0800-0830	Review, Comments and Questions	Wilbur/Staff
0830-0930	Pistol Troubleshooting, Diagnostics and Repairs	Marquette/Bennett
0930-1030	Pistol Care and Maintenance Review	Michel
1030-1200	S&W 4006 Inspection Methods and Function Test Review	Michel
1200-1300	<i>Lunch</i>	
1300-1400	Remington 870 Shotgun - Disassembly/Reassembly, Tips and Tricks	Falat/Poole
1400-1500	Shotgun Safeties and Cycle of Operation Review (FCLFUEEC)	Howard
1500-1600	Remington Shotgun Inspection Methods - New Information	Howard
1600-1700	Remington 870 Inspection Methods and Function Test	Howard

FIREARMS INSPECTOR REFRESHER GROUP 3
September 10-16, 2006

Thursday

September 14

0800-0830	Review, Comments and Questions	Wilbur/Staff
0830-0930	Shotgun Troubleshooting, Diagnostics and Repairs	Marquette/Bennett
0930-1030	Shotgun Care and Maintenance Review	Poole/Falat
1030-1200	Remington 870 Inspection Methods and Function Test Review	Howard
1200-1300	<i>Lunch</i>	
1300-1400	AR-15 – Disassembly/Reassembly Review, Tips and Tricks	Grennell/ VanEtten-Collins
1400-1500	AR-15 Safeties and Cycle of Operation Review (FCLFUEEC)	Marquette
1500-1600	Colt AR-15 Inspection Methods - New Information	Poole/Falat
1600-1700	Colt AR-15 Inspection Methods and Function Test	Falat/Poole

Friday

September 15

0800-0830	Review, Comments and Questions	Wilbur/Staff
0830-0930	AR-15 Troubleshooting, Diagnostics and Repairs	Marquette/Bennett
0930-1030	AR-15 Care and Maintenance Review	Howard
1030-1200	Colt AR-15 Inspection Methods and Function Test Review	Poole/Falat
1200-1300	<i>Lunch</i>	
1300-1530	All Firearms: Practical Exercises - Nomenclature, Troubleshooting, Inspections and Function Tests	Wilbur/Staff
1530-1600	Special Problems and Solutions	Wilbur/Staff
1600-1700	Final Exam	Wilbur/Staff

Saturday

September 16

0800-0900	Final Exam Review	Wilbur/Staff
0900-1130	Test Fire All Weapons/Practical Exam	Wilbur/Staff
1130-1200	Post Training Assignments and Closure	Wilbur/Danielson
1200-	<i>Lunch and Departure</i>	

FIREARMS INSPECTOR REFRESHER TRAINING PROGRAM

36 HOURS

<u>PROGRAM ADMINISTRATION</u>	2
Orientation.....	
Introduction	
Course Objectives	
DPR Authority, Policies and Armorer Geographic Coverage Areas	
Safety, Legal Aspects and Liabilities	
<u>SHIPPING WEAPONS, FORMS and RECORD KEEPING REVIEW</u>	1
Shipping of Weapons- Policies.....	
Weapons Log Sheet.....	
DPR 153D Weapon Repair History	
Yearly Inspection Reports and Others.....	
<u>SMITH & WESSON 4006 PISTOL</u>	6
Pistol Disassembly/Reassembly Review, Tips and Tricks.....	
Pistol Safeties and Cycle of Operation Review (FCLFUEEC)	
Pistol Inspection Methods and Function Test Review Using the DPR 824A	
Pistol Troubleshooting, Diagnostics and Repairs	
Pistol Care and Maintenance Review.....	
<u>REMINGTON 870 SHOTGUN</u>	6
Shotgun Disassembly/Reassembly Review, Tips and Tricks	
Shotgun Safeties and Cycle of Operation Review (FCLFUEEC)	
Shotgun Inspection Methods and Function Test Review Using the DPR 824B.....	
Shotgun Troubleshooting, Diagnostics and Repairs	
Shotgun Care and Maintenance Review	
<u>COLT AR-15</u>	6
AR-15 Disassembly/Reassembly Review, Tips and Tricks	
AR-15 Safeties and Cycle of Operation Review.....	
AR-15 Inspection Methods and Function Test Review Using the DPR 824C....	
AR-15 Troubleshooting, Diagnostics and Repairs.....	
AR-15 Care and Maintenance Review	
<u>PARTICIPANT INSPECTIONS – PRACTICAL APPLICATION</u>	12
Pistol Disassembly, Reassembly, Inspections and Practical Exercises	
Shotgun Disassembly, Reassembly, Inspections and Practical Exercises.....	
AR-15 Disassembly, Reassembly, Inspections and Practical Exercises	
Post-Inspection Pistol, Shotgun and AR-15 Test Firing.....	
<u>REVIEW, EXAMS AND SUMMARY</u>	3
Final Exam and Review.....	
Summary of Program	
TOTAL HOURS	36

FIREARMS INSPECTOR REFRESHER TRAINING PROGRAM
(S&W PISTOL, REMINGTON 870 SHOTGUN AND COLT AR-15)

ORIENTATION, COURSE OBJECTIVES AND PROGRAM REVIEW

Purpose: The participant will understand the objectives of the program, the Department policy limits, and the legal responsibilities and liabilities of a Firearms Inspector.

Performance Objectives: By the close of the session the participant will

1. Be introduced to the program instructors and identify Armorers responsible for your District.
2. Review the course agenda and objectives.
3. Review the Firearms Inspector Program: Duty statements, geographic coverage areas, Department policy limits and the legal responsibilities/liabilities of DPR Firearms Inspectors.
4. Understand that the overall goal of the Armorer/Firearms Inspector Program is to ensure that State Park Peace Officers are carrying clean, reliable and safe firearms on duty at all times.

SHIPPING WEAPONS, FORMS AND RECORD KEEPING REVIEW

Purpose: To know the methods, forms, and personnel responsible for shipping various weapons and keeping records of Firearms Inspections.

Performance Objectives: By the close of the session the participant will

1. Understand the proper procedures and documentation necessary for shipping various weapons to Department Armorers or manufacturer repair locations.
2. Review use of the DPR 824A - S&W Pistol Inspection Checklist, DPR 824B - Remington Shotgun Inspection Checklist and DPR 824C - Colt Patrol Rifle Inspection Checklist.
3. Review use of the DPR 153D, Weapon Repair History form and various annual inspection reports and where there are multiple Inspectors, division of responsibilities within a district.

PISTOL, SHOTGUN AND AR-15 DISASSEMBLY AND REASSEMBLY REVIEW

Purpose: To know and understand the correct procedures to disassemble and reassemble all three DPR firearms: the Smith & Wesson Pistol, the Remington 870 Shotgun and the Colt AR-15 rifle.

Performance Objectives: By the close of the session the participant will

1. Review, discuss and be able to effectively demonstrate the correct steps and necessary tools needed to disassemble and reassemble any of the three Department issue duty firearms.

PISTOL, SHOTGUN AND AR-15: SAFETIES AND CYCLE OF OPERATION REVIEW

Purpose: To know and understand the cycle of operation of all three DPR firearms: the Smith & Wesson Pistol, the Remington 870 Shotgun and the Colt AR-15 rifle. The goal of this knowledge is to help the Firearms Inspector better understand how each firearm operates in order to assist in identifying which part of the cycle has been interrupted when troubleshooting a problem, so that the proper repair can be implemented and a safe reliable firearm returned to service in a timely manner.

Performance Objectives: By the close of the session the participant will

1. Know and understand the cycle of operation of the Smith & Wesson Pistol, the Remington 870 shotgun and the Colt AR-15 rifle, including how critical safeties function in all three.

PISTOL, SHOTGUN AND AR-15 INSPECTION METHODS AND FUNCTION TEST REVIEW

Purpose: To know and understand the correct procedures to disassemble, inspect, reassemble and function check all three DPR firearms: the Smith & Wesson Pistol, the Remington 870 Shotgun and the Colt AR-15 rifle.

Performance Objectives: By the close of the session the participant will

1. Review, discuss and understand the use of the DPR 824A - S&W Pistol Inspection Checklist, DPR 824B - Remington 870 Shotgun Inspection Checklist and the DPR 824C - Colt Patrol Rifle Inspection Checklist.

2. Review, discuss and demonstrate the correct use of tools and methods necessary to perform complete internal inspections on all three of the Department issue firearms utilizing the techniques taught and demonstrated by the Department Armorer/Instructors, including new information and methods presented in this program.
3. Know, understand and demonstrate the correct Function Test for each of the three Department firearms as a method of quickly testing all important functions or to aid in diagnosing a problem in a weapon without firing it.

PISTOL, SHOTGUN and AR-15: TROUBLESHOOTING, DIAGNOSTICS AND REPAIRS

Purpose: To be able to correctly diagnose and identify malfunctions and their potential causes, in either the Smith & Wesson Pistol, the Remington 870 shotgun or the Colt AR-15 rifle, and be able to instruct field staff on malfunction prevention in all of these firearms.

Performance Objectives: By the close of the session the participant will

1. Be able to list several common pistol malfunctions and identify which portion of the pistol cycle of operation has failed or been interrupted.
2. Be able to list several common 870 shotgun malfunctions and identify which portion of the shotgun cycle of operation has failed or been interrupted.
3. Be able to list several common AR-15 rifle malfunctions and identify which portion of the AR-15 cycle of operation has failed or been interrupted.
4. Be able to explain the importance and potential causes and corrections for each of the malfunctions listed.

PISTOL, SHOTGUN AND AR-15 CLEANING, LUBRICATION and MAINTENANCE

Purpose: To know the proper equipment and authorized supplies as well as understanding the proper methods for cleaning, lubricating and maintaining the Smith & Wesson Pistol, the Remington 870 shotgun and Colt AR-15 Patrol Rifle.

Performance Objectives: By the close of the session the participant will

1. Be able to use the proper equipment, tools and techniques in order to properly and thoroughly clean, lubricate and maintain the Smith & Wesson Pistol, the Remington 870 Shotgun and the Colt AR-15 rifle.

FIREARMS INSPECTOR PRACTICAL PROBLEM SOLVING AND FINAL EXAM

Purpose: To be able to identify internal problems of malfunctioning pistols, shotguns or AR-15 rifles and take or recommend corrective action. Demonstrate sufficient knowledge of overall course material.

Performance Objectives: By the close of the session the participant will

1. Be able to demonstrate sufficient knowledge and understanding of weapon part names and necessary tools, to be able to correctly disassemble, reassemble and perform a complete DPR Function Test of any of the three Department issue firearms to an Armorer.
2. Manually inspect sample weapons (pistol, shotgun and rifle) with various typical problems, malfunctions or symptoms, and be able to effectively demonstrate to an Armorer, the ability to analyze and diagnose the cause of the problem(s) and recommend the appropriate course of action to correct the problem(s).
3. Be able to record, using the appropriate Inspection Checklist and proper terminology, the problem(s) found during an inspection and the corrective measures taken to correct the problem(s).
4. Be able to successfully test fire, with no malfunctions, a pistol, shotgun and a rifle after completing inspections on each, as a final check that the firearm is functioning within Smith & Wesson, Remington, Colt and DPR specifications.
5. Achieve a passing score on the Firearms Inspector Refresher Final Exam.

**FIREARMS INSPECTOR REFRESHER TRAINING PROGRAM
(FINR GROUP 3) - 36 HOURS**

EXPANDED COURSE OUTLINE

- I. PROGRAM ADMINISTRATION
 - A. Orientation - Course Registration
 - B. Introduction of Armorer/Instructors
 - C. Course Objectives
- II. DPR ARMORER/FIREARMS INSPECTOR PROGRAM
 - A. Overview
 - 1. Department Operations Manual (DOM) references.
 - 2. Goal: To maintain all DPR firearms at the highest level of reliability/serviceability.
 - 3. Accomplished by a coordinated system of preventive maintenance techniques, annual inspections, function tests, test firing and when necessary, repairs.
 - 4. Coordinated by factory-trained DPR authorized Armorers.
 - 5. Firearms Inspectors - DPR policy limits level of repair: perform annual inspections, test fires and replace authorized (non-fitted) parts - not authorized to “move” metal (no grinding, filing, stoning or polishing is allowed). Most repairs go to Armorers.
 - 6. DPR Armorers - also perform annual inspections, test fires and perform factory - authorized repairs, including installing fitted parts.
 - B. Geographic areas of responsibility (District coverage breakdown)
 - 1. Firearms Inspectors - responsible for weapon maintenance/repair in sector/district.
 - 2. Armorers - coordinate weapon maintenance/repair for several districts.
 - C. Legal Aspects and Liabilities:
 - 1. Law enforcement firearms are used to protect or possibly to take a life, therefore reliability and performance of the firearm are critical.
 - 2. Liability potential is high - stay within the scope of your training and program guidelines.
- III. PARTS, TOOLS, SUPPLIES and SAFETY
 - A. Distribute parts, tools and supplies to students
 - B. Classroom Safety Rules
 - 1. No loaded weapons of any kind or live ammunition in the classroom.
 - 2. Only weapons checked by an instructor are allowed in the classroom.
 - 3. Assembled weapons will be “benched” with the bolt or slide locked open and the ejection port facing up and visible.
 - 4. Dry firing and function tests will only be done at the direction of an instructor.
- IV. SHIPPING WEAPONS, FORMS and RECORDKEEPING REVIEW
 - A. Review general weapon shipping policies

Firearms Inspector Refresher Training Program (FINR # 3)
Expanded Course Outline (Continued – Page 2)

- IV. SHIPPING WEAPONS, FORMS and RECORDKEEPING REVIEW (Continued)
 - 1. Ship in 2 separate packages- 1 for frame/receiver & mags., and 1 for slide/barrel.
 - 2. Appropriately filled-out Repair Tag including Inspection Checklist and DPR 153D.
 - 3. Description of items to be shipped – Gun Parts: Insure each box for \$400+.
- B. Different policy for shipping items to Smith & Wesson for warranty repairs:
 - 1. Coordinate with your Armorer, contact S&W for return shipping instructions, 1 pkg.
- C. Review recordkeeping forms used by Firearms Inspectors and Armorers:
 - 1. Weapons Log Sheet, DPR 153D - Weapon Repair History, Firearms Inspection Record, Annual DPR Weapon Inspection Report & Checklists- DPR 824A, B and C.
 - 2. Other Forms: DPR 153A, B and C; Second Weapons - DPR 755 and DPR 845; Inspection/Repair Tag and purchase documents for obtaining parts and tools.
- D. Review recordkeeping flow chart and responsibilities.
- V. S&W 4006 - DISASSEMBLY/REASSEMBLY REVIEW, TIPS AND TRICKS
 - A. Armorer demonstration and discussion of field-strip to major components and then complete disassembly/reassembly of the S&W 4006 pistol - problem areas and “tips”.
 - B. Supervised student application and practice of disassembly/reassembly methods.
- VI. PISTOL SAFETIES, LEVERS AND CYCLE OF OPERATION REVIEW (FCLFUEEC)
 - A. Review function and operation of the various levers and how they relate to the particular safety features found in the Smith & Wesson pistol.
 - B. Review the cycle of operation of the Smith & Wesson “traditional” SA/DA pistol.
 - 1. Review diagrams from the Firearms Inspector Handbook.
 - 2. Demonstrate various parts of the cycle of operation using the “cut-away” pistol.
- VII. S&W 4006 INSPECTION METHODS AND FUNCTION TEST REVIEW
 - A. Discuss new information relative to S&W 4006 Inspection Methods including revisions to the DPR 824A - S&W Semi-Auto Pistol Inspection Checklist form.
 - B. Armorer inspection methods demonstration - problem areas and “tips”.
 - C. Supervised student application of pistol inspection methods, using the DPR 824A.
 - D. Demonstration and student practice of post-inspection DPR Pistol Function Test.

Firearms Inspector Refresher Training Program (FINR Group 3)
Expanded Course Outline (Continued – Page 3)

- VIII. PISTOL TROUBLESHOOTING, DIAGNOSTICS AND REPAIRS
 - A. Review potential pistol malfunctions or problems that may occur - identifying causes.
 - B. Review difficulties encountered in troubleshooting specific problems:
 - 1. Accurate description of the malfunction/symptoms and replicating the problem.
 - 2. Diagnose which cycle of operation function is failing - feed, fire, extract, etc.
 - 3. Try to isolate the condition by removing one variable (i.e. parts) at a time.
 - C. Methods and repairs to prevent or eliminate specific pistol malfunctions.
- IX. S&W 4006 - CARE AND MAINTENANCE
 - A. Review DPR pistol cleaning, lubrication and maintenance methods.
 - 1. General concepts of cleaning and lubrication used in DPR Firearms Maintenance.
 - 2. DPR materials - Bore Snake, BreakFree CLP and BreakFree Citrus Cleaner.
 - 3. Demonstrate and discuss proper procedures, techniques and rationale for cleaning, lubrication and maintenance of the Smith & Wesson pistol.
 - 4. Supervised student application - proper cleaning and lubrication of the S&W pistol.
 - 5. Preventive maintenance and storage policies.
- X. REMINGTON 870 SHOTGUN - DISASSEMBLY/REASSEMBLY REVIEW, TIPS AND TRICKS
 - A. Armorer demonstration/discussion of field-strip to major components, then complete disassembly/reassembly of the Remington 870 shotgun - problem areas and "tips".
 - B. Supervised student application and practice of disassembly/reassembly methods.
- XI. SHOTGUN SAFETIES AND CYCLE OF OPERATION REVIEW (FCLFUEEC)
 - A. Review function and operation of the various parts and how they relate to the particular safety features found in the Remington pump-action shotgun.
 - B. Review the cycle of operation of the Remington pump-action shotgun.
 - 1. Review diagrams from the Firearms Inspector Handbook.
 - 2. Demonstrate various parts of the cycle of operation using "cut-away" shotgun.
- XII. REMINGTON SHOTGUN INSPECTION METHODS AND FUNCTION TEST REVIEW
 - A. Discuss new information relative to Remington 870 Inspection Methods including revisions to the DPR 824B - Remington 870 Shotgun Inspection Checklist form.
 - B. Armorer inspection methods demonstration - problem areas and "tips".

Firearms Inspector Refresher Training Program (FINR Group 3)
Expanded Course Outline (Continued – Page 4)

- C. Supervised student application of shotgun inspection methods, using the DPR 824B.
- D. Demonstration and student practice of post-inspection DPR Shotgun Function Test.
- XIII. SHOTGUN TROUBLESHOOTING, DIAGNOSTICS AND REPAIRS
 - A. Review potential shotgun malfunctions or problems that may occur - identifying causes.
 - B. Review difficulties encountered in troubleshooting specific problems:
 - 1. Accurate description of the malfunction/symptoms and replicating the problem.
 - 2. Diagnose which cycle of operation function is failing - feed, fire, extract, etc.
 - 3. Try to isolate the condition by removing one variable (i.e. parts) at a time.
 - C. Methods and repairs to prevent or eliminate specific shotgun malfunctions.
- XIV. REMINGTON 870 SHOTGUN - CARE AND MAINTENANCE
 - A. Review DPR shotgun cleaning, lubrication and maintenance methods.
 - 1. General concepts of cleaning and lubrication used in DPR Firearms Maintenance.
 - 2. DPR materials - Bore Snake, BreakFree CLP and BreakFree Citrus Cleaner.
 - 3. Demonstrate and discuss proper procedures, techniques and rationale for cleaning, lubrication and maintenance of the Remington shotgun.
 - 4. Supervised student application - proper cleaning and lubrication of the shotgun.
 - 5. Preventive maintenance and storage policies.
- XV. COLT AR-15 - DISASSEMBLY/REASSEMBLY REVIEW, TIPS and TRICKS
 - A. Armorer demonstration/discussion of field-strip to major components, then complete disassembly/reassembly of the Colt AR-15 patrol rifle - problem areas and “tips”.
 - B. Supervised student application and practice of disassembly/reassembly methods.
- XVI. AR-15 SAFETIES AND CYCLE OF OPERATION REVIEW (FCLFUEEC)
 - A. Review function and operation of the various parts and how they relate to the particular safety features found in the Colt AR-15 rifle.
 - B. Review the cycle of operation of the Colt AR-15 rifle.
 - 1. Review diagrams from the Firearms Inspector Handbook.
 - 2. Demonstrate various parts of the cycle of operation using the “cut-away” AR-15.
- XVII. COLT AR-15 INSPECTION METHODS AND FUNCTION TEST REVIEW

**Firearms Inspector Refresher Training Program (FINR Group 3)
Expanded Course Outline (Continued – Page 5)**

- A. Discuss new information relative to Colt AR-15 Inspection Methods including revisions to the DPR 824C - Colt AR-15 Patrol Rifle Inspection Checklist form.
 - B. Armorer inspection methods demonstration - problem areas and “tips”.
 - C. Supervised student application of AR-15 inspection methods, using the DPR 824C.
 - D. Demonstration and student practice of post-inspection DPR AR-15 Function Test.
- XVIII. AR-15 TROUBLESHOOTING, DIAGNOSTICS AND REPAIRS
- A. Review potential AR-15 malfunctions or problems that may occur - identifying causes.
 - B. Review difficulties encountered in troubleshooting specific problems:
 - 1. Accurate description of the malfunction/symptoms and replicating the problem.
 - 2. Diagnose which cycle of operation function is failing - feed, fire, extract, etc.
 - 3. Try to isolate the condition by removing one variable (i.e. parts) at a time.
 - C. Methods and repairs to prevent or eliminate specific AR-15 malfunctions.
- XIX. COLT AR-15 - CARE AND MAINTENANCE
- A. Review DPR AR-15 cleaning, lubrication and maintenance methods.
 - 1. General concepts of cleaning and lubrication used in DPR Firearms Maintenance.
 - 2. DPR materials - Bore Snake, BreakFree CLP and BreakFree Citrus Cleaner.
 - 3. Demonstrate and discuss proper procedures, techniques and rationale for cleaning, lubrication and maintenance of the Colt AR-15 rifle.
 - 4. Supervised student application - proper cleaning and lubrication of the AR-15.
 - 5. Preventive maintenance and storage policies.
- XX. REVIEW, COMMENTS AND QUESTIONS
- XXI. FINAL WRITTEN EXAM
- XXII. 4006 PISTOL, 870 SHOTGUN AND AR-15 PRACTICAL EXAM
- XXIII. TEST FIRE ALL WEAPONS AND WEAPON CLEANING
- XXIV. POST-TRAINING ASSIGNMENTS, SUMMARY AND CLOSURE

location map for
WILLIAM PENN MOTT JR. TRAINING CENTER
837 ASILOMAR BLVD.
PACIFIC GROVE, CALIFORNIA 93950

