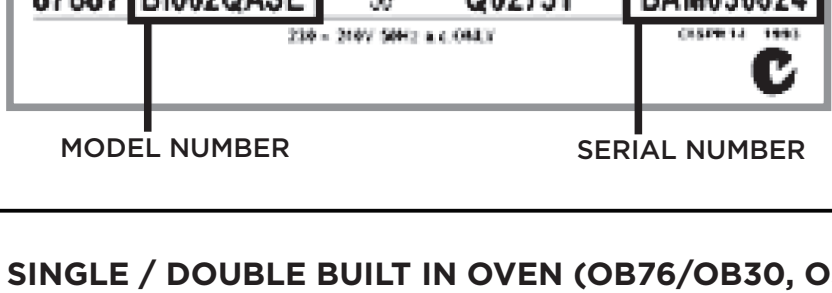
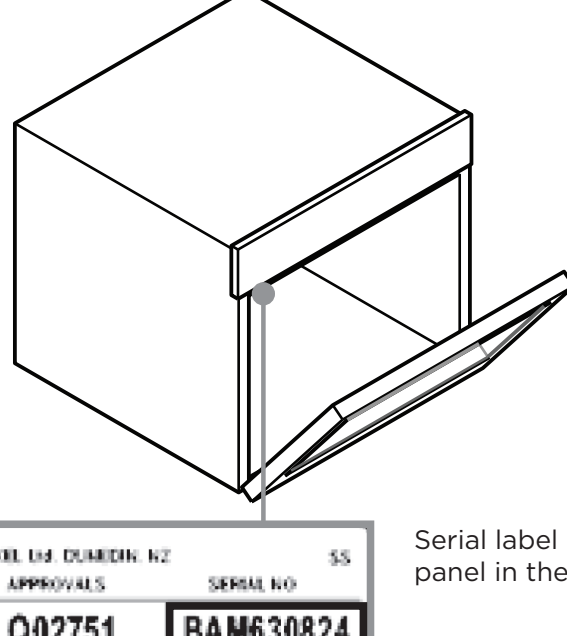


COOKING

*Actual labels may differ from shown

SINGLE / DOUBLE BUILT IN OVEN (BI models only)

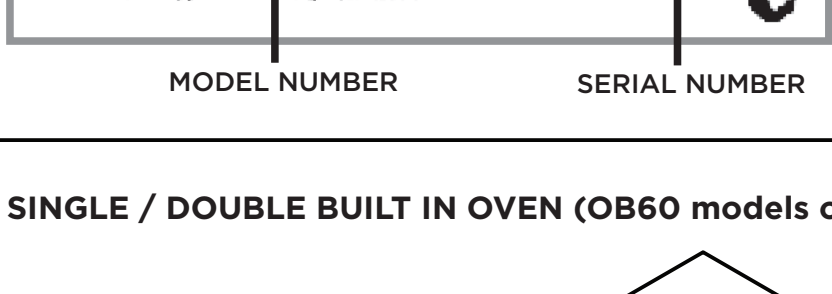
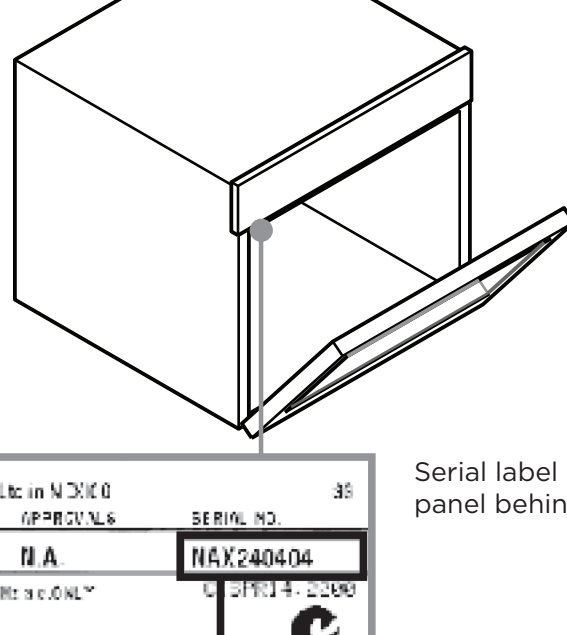


Serial label located under the control panel in the interior of the oven.

MODEL NUMBER

SERIAL NUMBER

SINGLE / DOUBLE BUILT IN OVEN (OB76/OB30, OS30/OD30 models only)

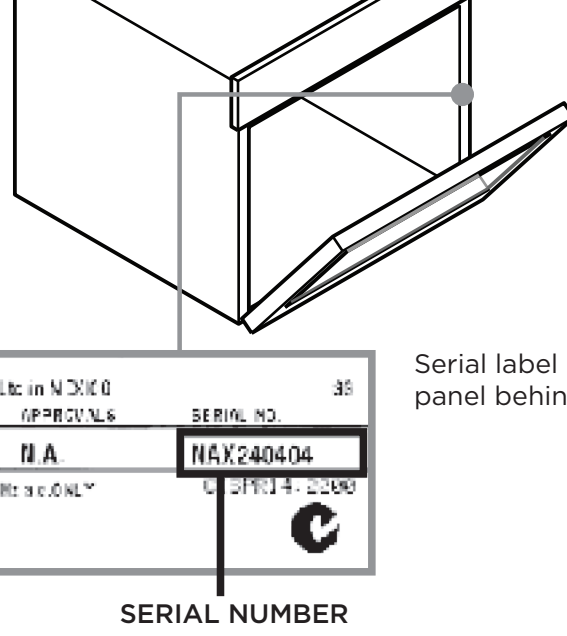


Serial label located inside the top oven panel behind the cavity.

MODEL NUMBER

SERIAL NUMBER

SINGLE / DOUBLE BUILT IN OVEN (OB60 models only)

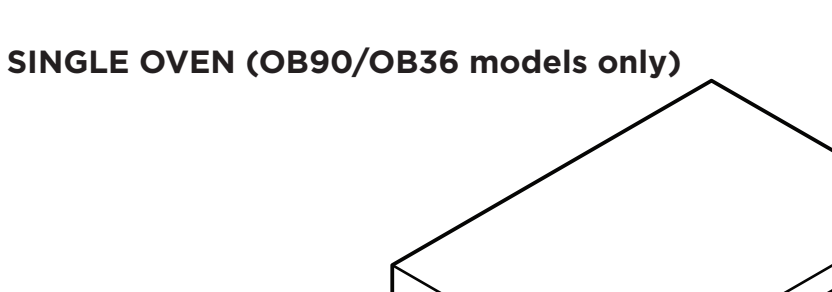
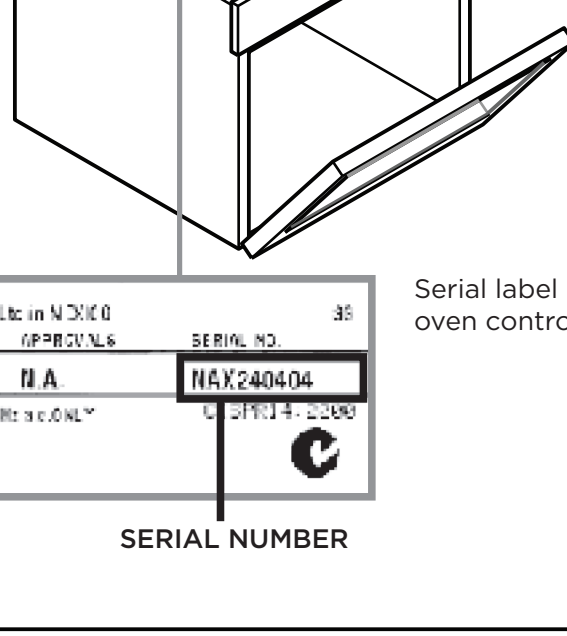


Serial label located inside the top oven panel behind the cavity.

MODEL NUMBER

SERIAL NUMBER

SINGLE BUILT IN OVEN (OB60SL models only)

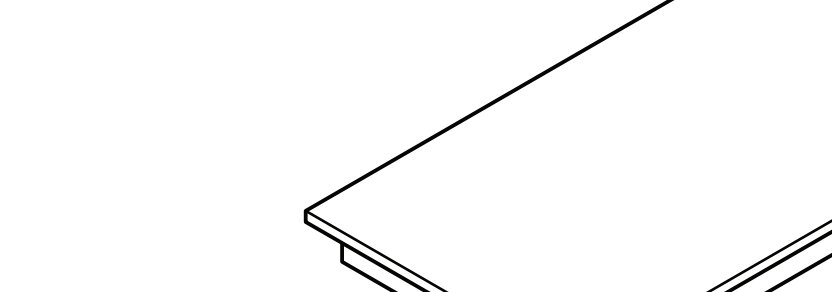
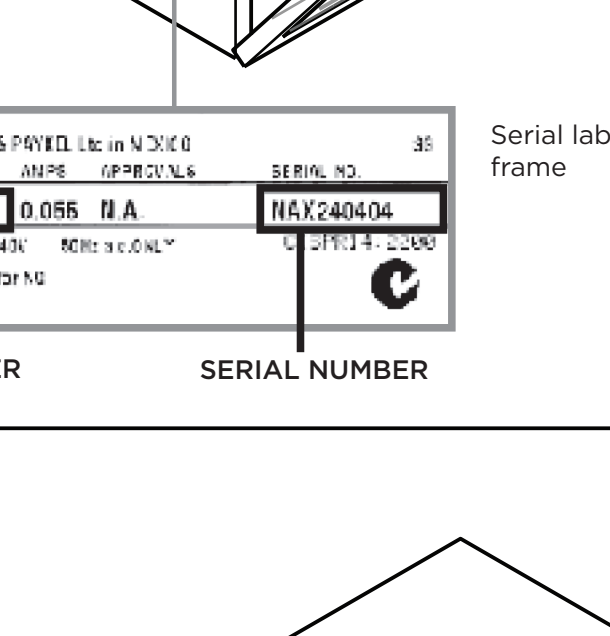


Serial label located underneath the oven control panel

MODEL NUMBER

SERIAL NUMBER

SINGLE OVEN (OB90/OB36 models only)

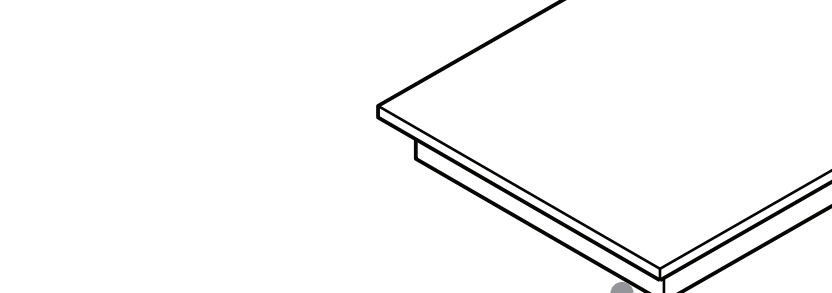
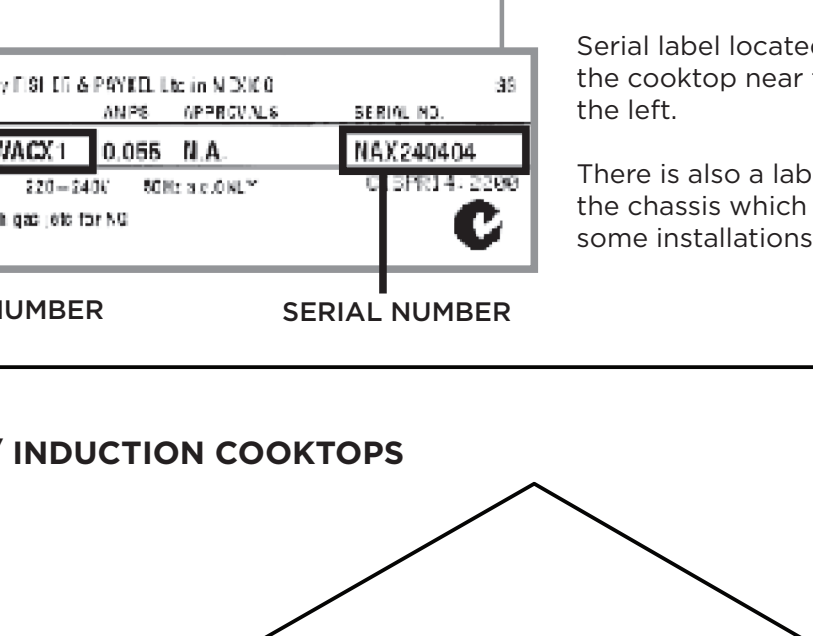


Serial label located on inside of the front frame

MODEL NUMBER

SERIAL NUMBER

COOKSURFACE



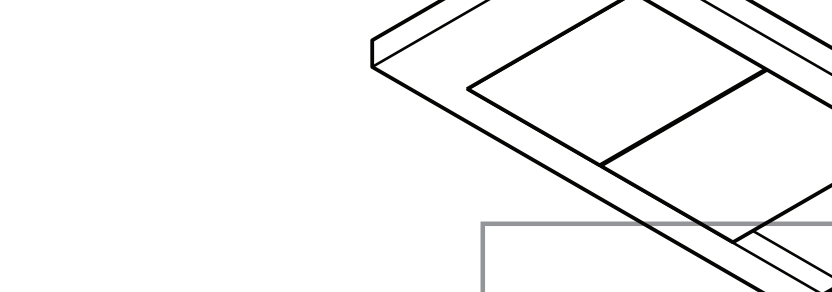
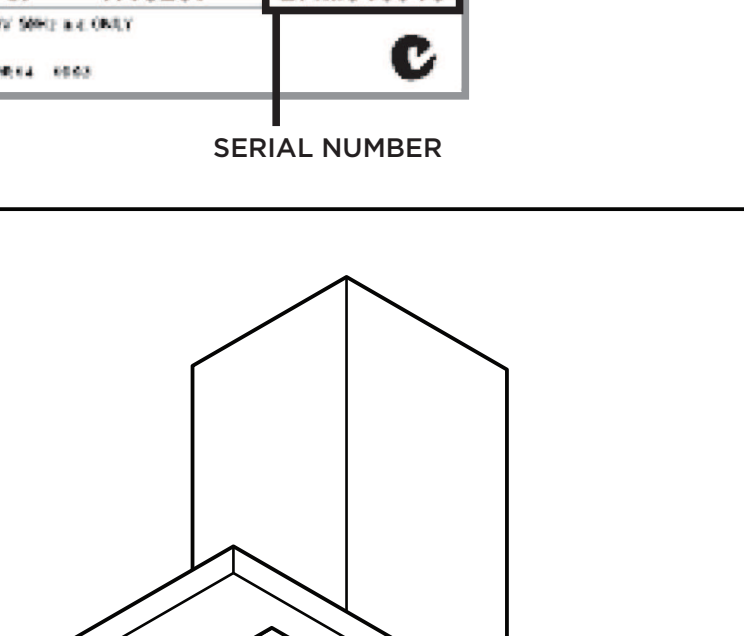
Serial label located on the underside of the cooktop near the gas entry point on the left.

There is also a label on the front left of the chassis which might be visible in some installations.

MODEL NUMBER

SERIAL NUMBER

GAS / CERAMIC / INDUCTION COOKTOPS

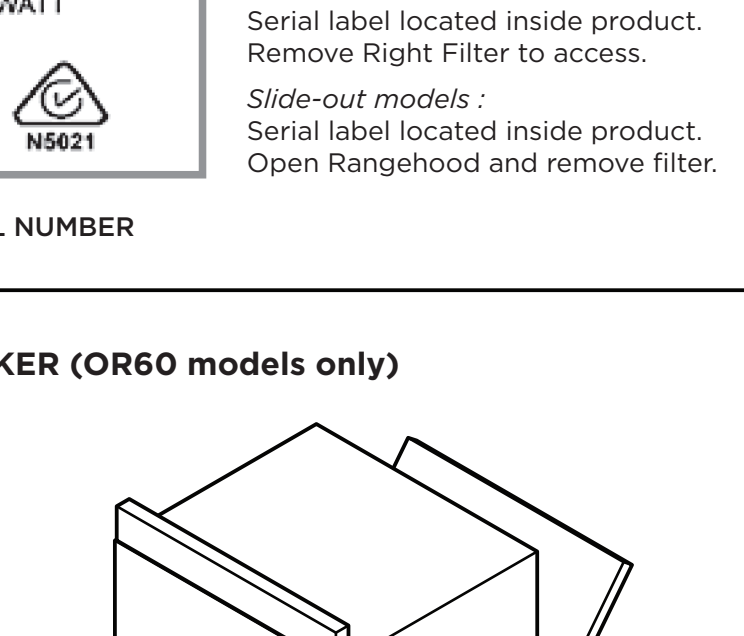


Serial label located on the bottom of the basepan.

MODEL NUMBER

SERIAL NUMBER

RANGEHOODS

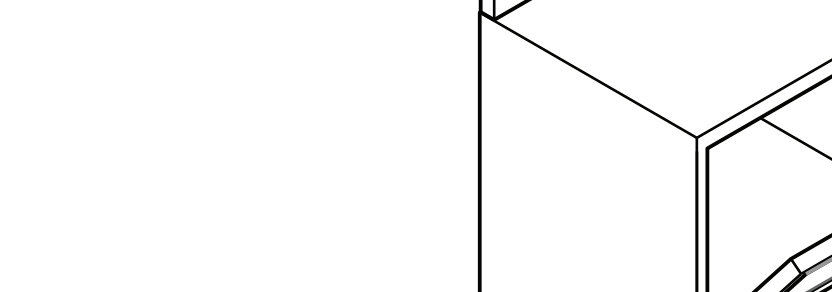
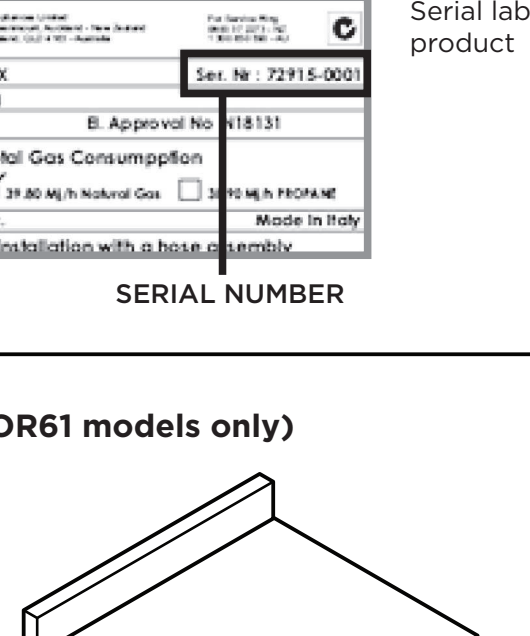


Serial label located inside product. Remove Right Filter to access.

Slide-out models : Serial label located inside product. Open Rangehood and remove filter.

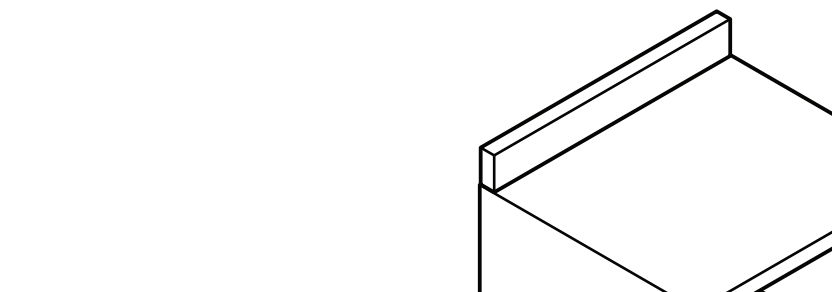
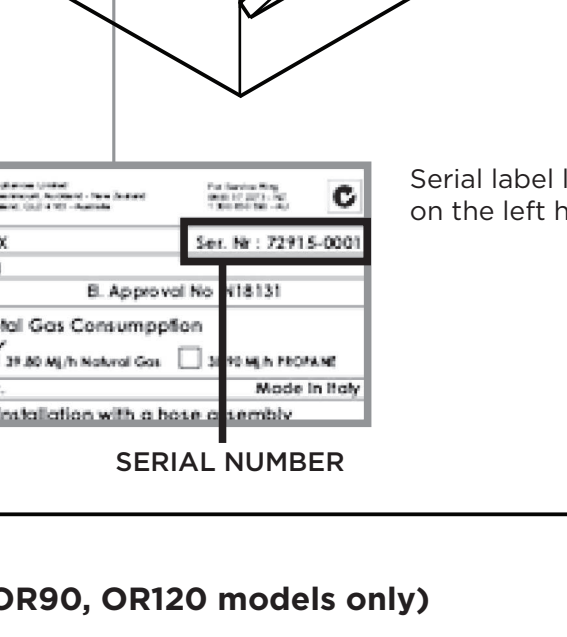
SERIAL NUMBER MODEL NUMBER

FREESTANDING COOKER (OR60 models only)



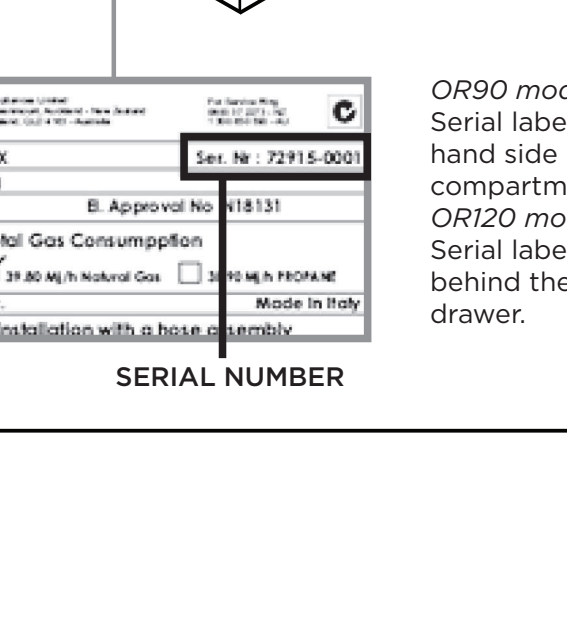
Serial label located on the back of the product

FREESTANDING COOKER (OR61 models only)



Serial label located inside the oven door on the left hand side

FREESTANDING COOKER (OR90, OR120 models only)



OR90 models : Serial label located on the right hand side of the storage compartment flap.

OR120 models : Serial label located on the chassis behind the right hand side storage drawer.

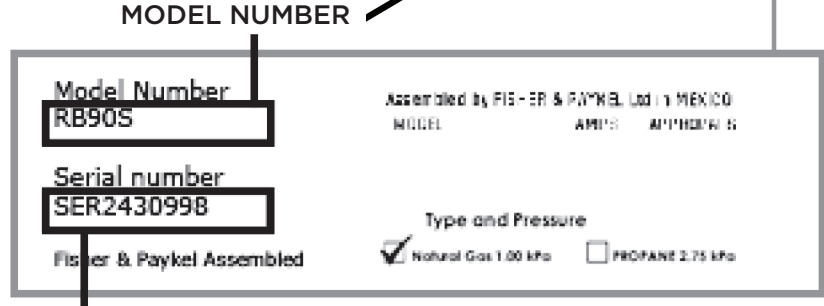
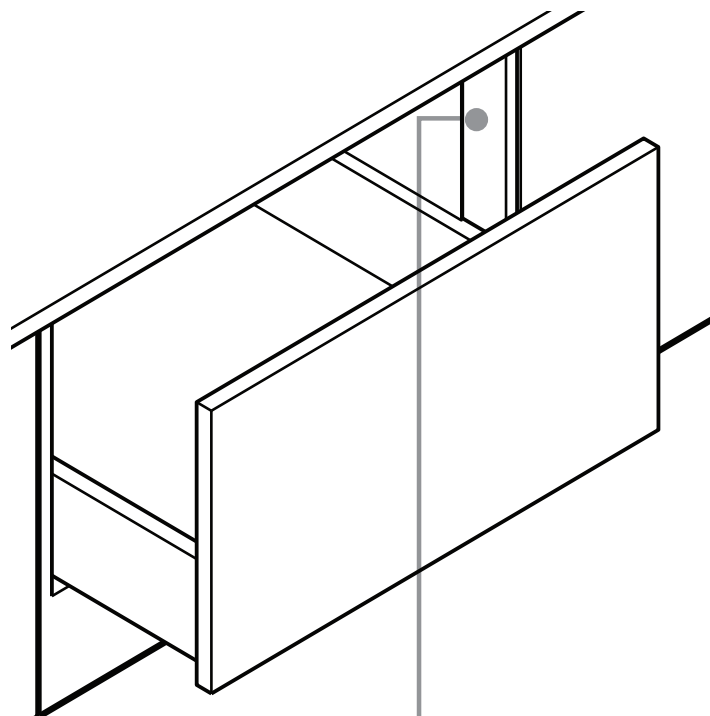
MODEL NUMBER

SERIAL NUMBER

REFRIGERATION

*Actual labels may differ from shown

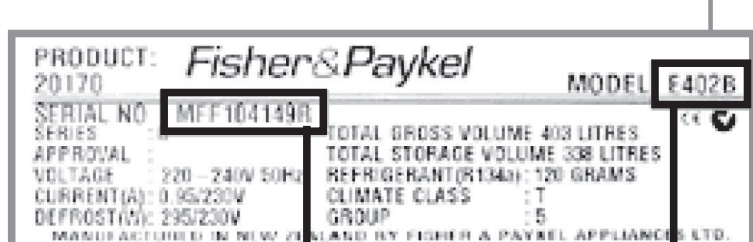
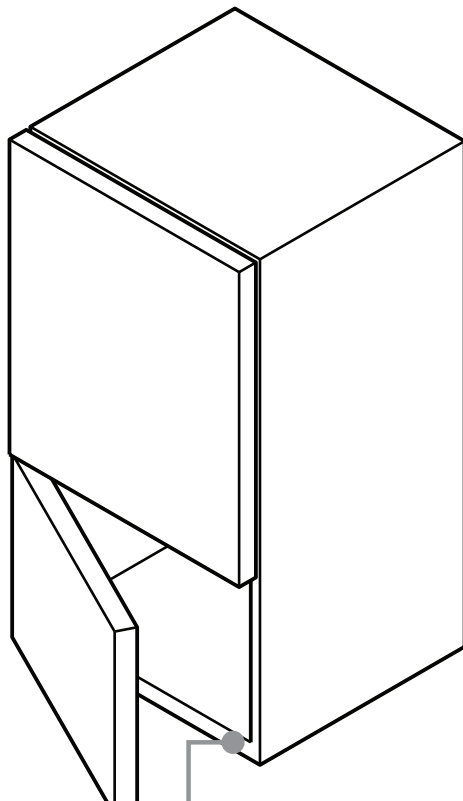
COOLDRAWER



Serial label located on the inside right wall panel.

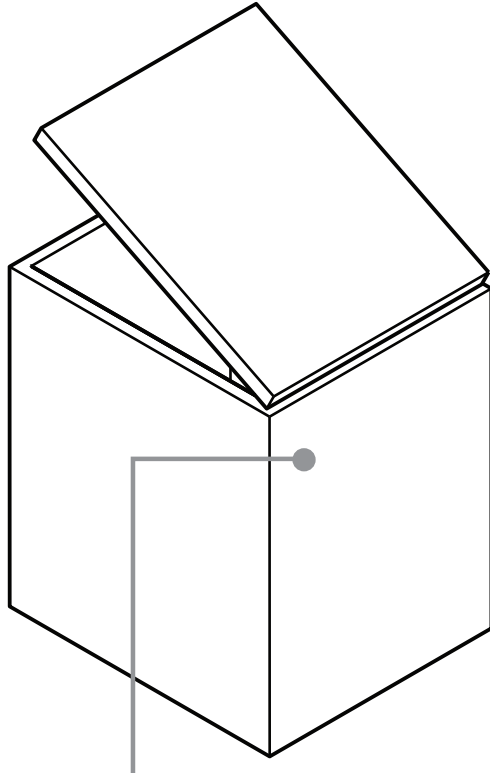
SERIAL NUMBER

REFRIGERATOR



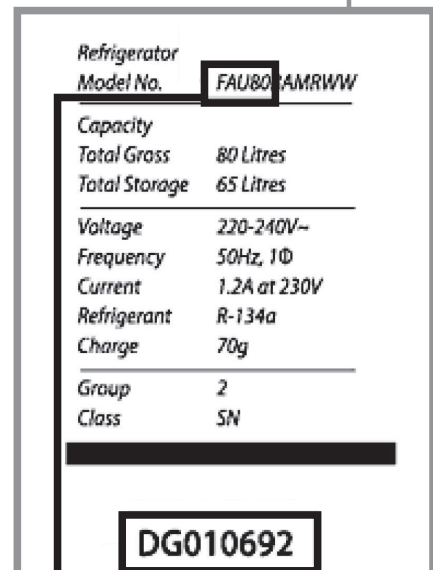
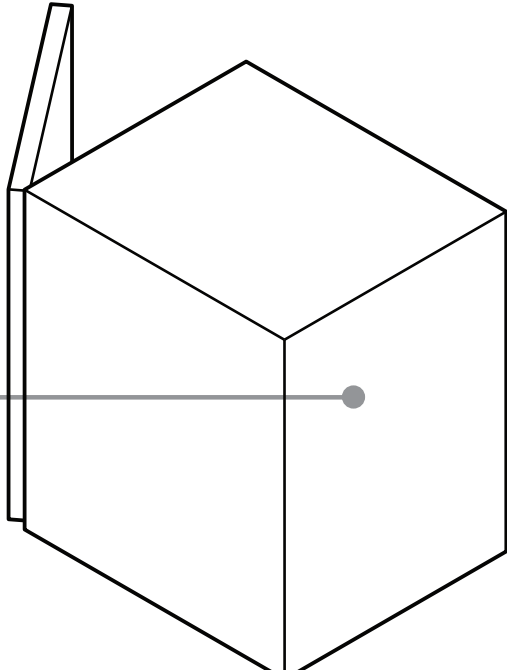
Serial label located inside cabinet at the bottom right.

CHEST FREEZER



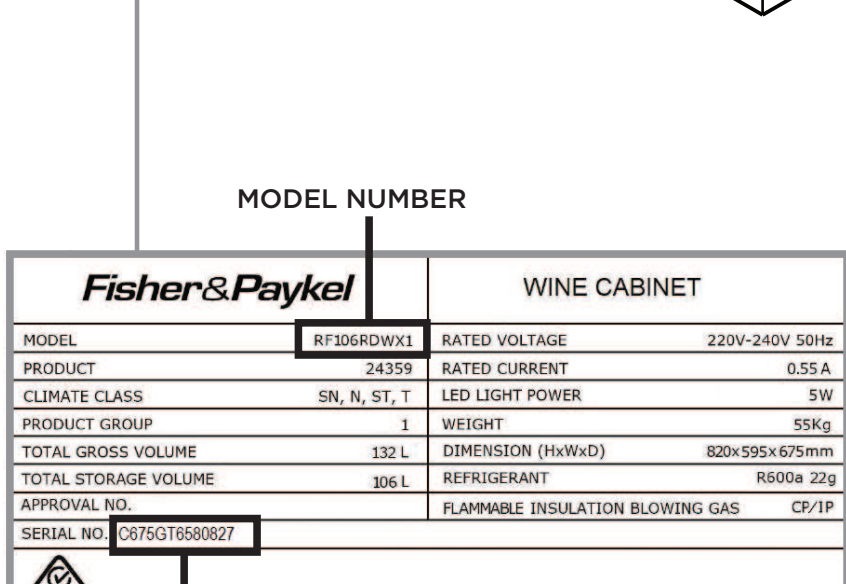
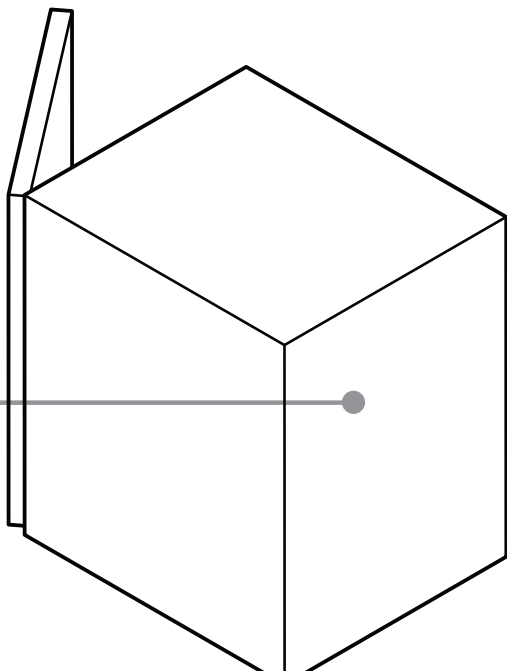
Serial label located on the back left of the product.

BAR REFRIGERATOR



Serial label located on the back of the product.

WINE CABINET

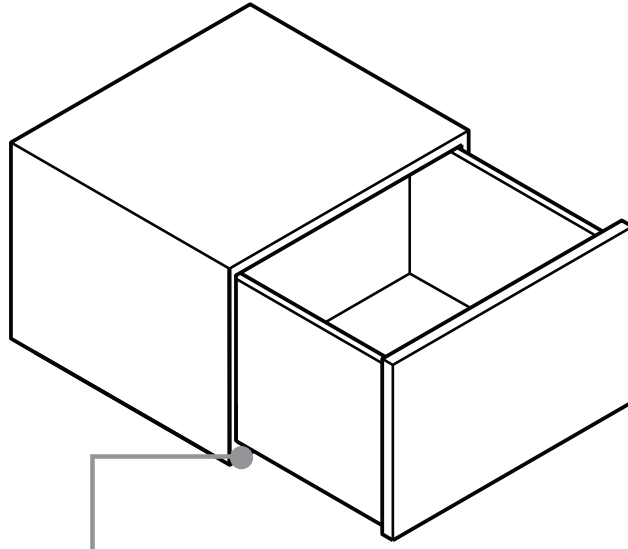


Serial label located on the back of the product.

DISHWASHING

**Actual labels may differ from shown*

SINGLE DISHDRAWER DISHWASHER



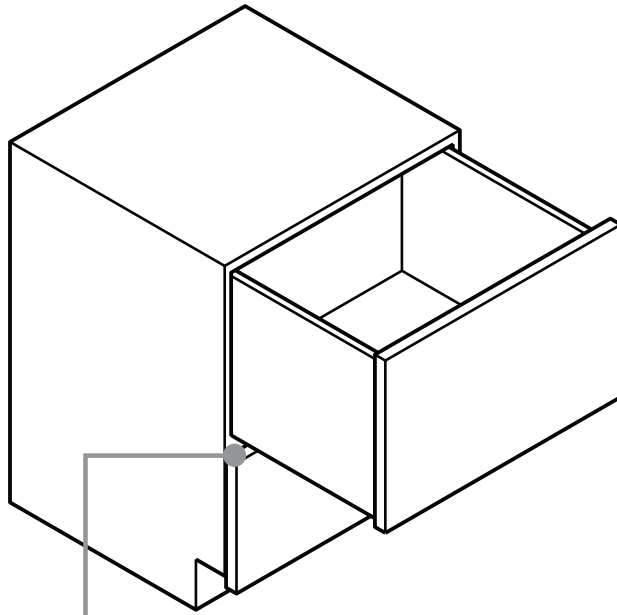
Manufactured by FISHER & PAYKEL LTD. DUNEDIN, NZ					SM
PRODUCT	MODEL	AMPS	APPROVALS	SERIAL NO	
87821	DS603M	4.5	Q00535	BRM765702	
230 - 240V 50Hz ac ONLY					CASPER 1991

MODEL NUMBER

SERIAL NUMBER

Serial label located inside cabinet, underneath drawer.

DOUBLE DISHDRAWER DISHWASHER



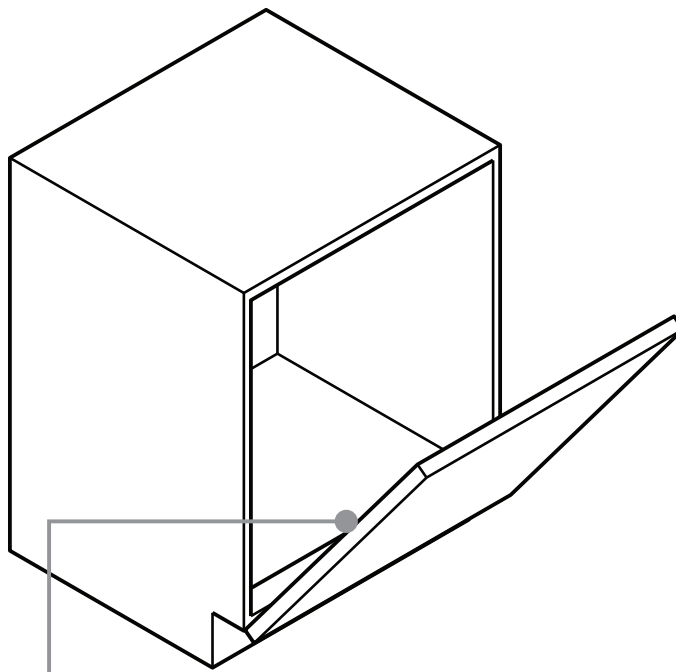
Manufactured by FISHER & PAYKEL LTD. DUNEDIN, NZ					SM
PRODUCT	MODEL	AMPS	APPROVALS	SERIAL NO	
87821	DS603M	4.5	Q00535	BRM765702	
230 - 240V 50Hz ac ONLY					CASPER 1991

MODEL NUMBER

SERIAL NUMBER

Serial label located inside cabinet, underneath the top drawer.

DISHWASHER



Manufactured by FISHER & PAYKEL LTD. DUNEDIN, NZ					SS
PRODUCT	MODEL	AMPS	APPROVALS	SERIAL NO	
87615	920	8	Q01370	BSM413343	
230 - 240V 50Hz ac ONLY					CASPER 1991

MODEL NUMBER

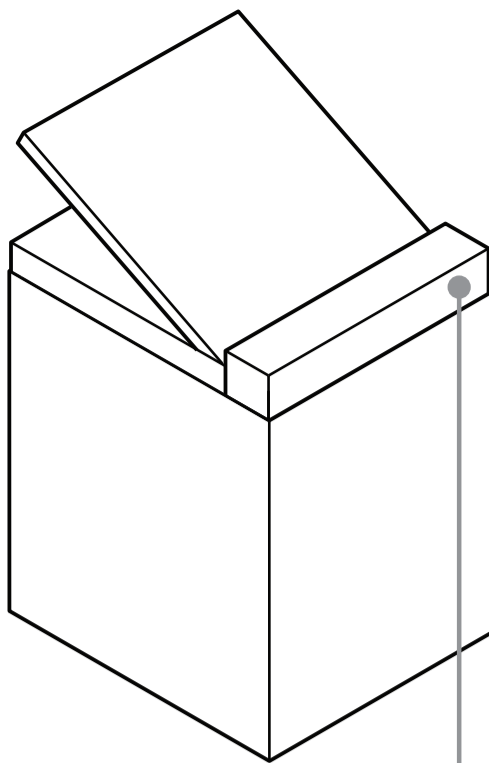
SERIAL NUMBER

Serial label located inside product on the left hand side of the door.

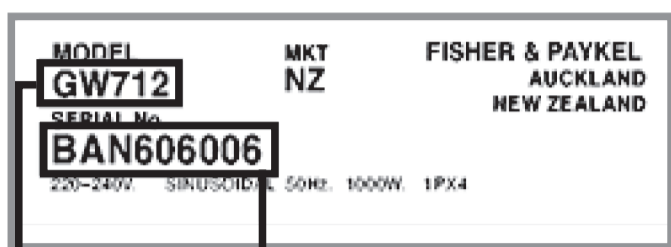
LAUNDRY

*Actual labels may differ from shown

TOP LOADING CLOTHES WASHER

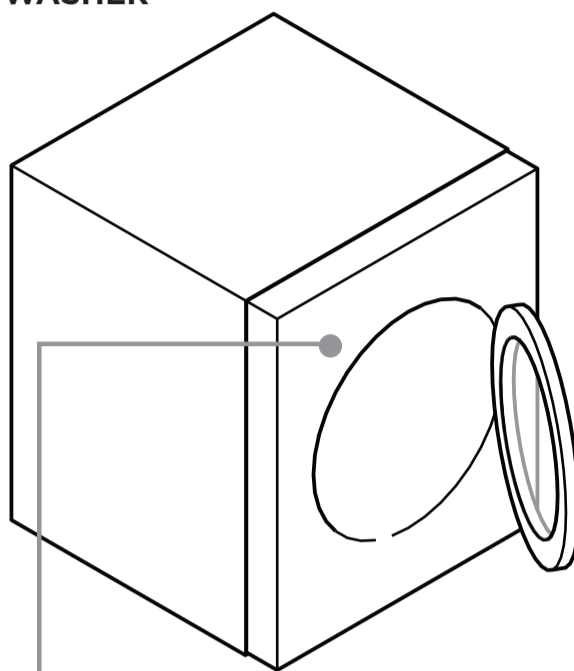


Serial label located on the back of the top panel.

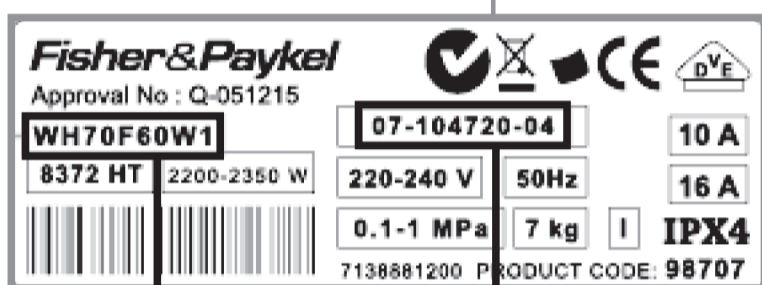


MODEL NUMBER SERIAL NUMBER

FRONT LOADING CLOTHES WASHER

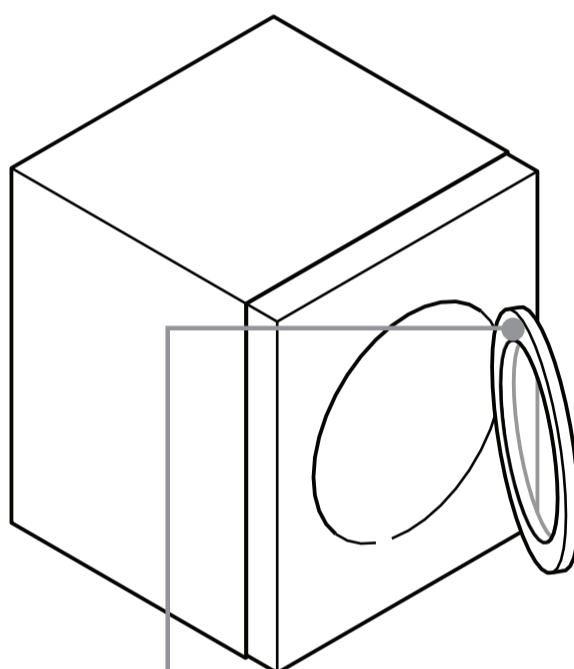


Serial label located at the top of the door frame when the door is opened.

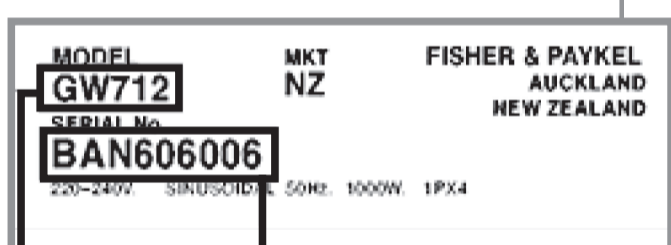


MODEL NUMBER SERIAL NUMBER

CLOTHES DRYER

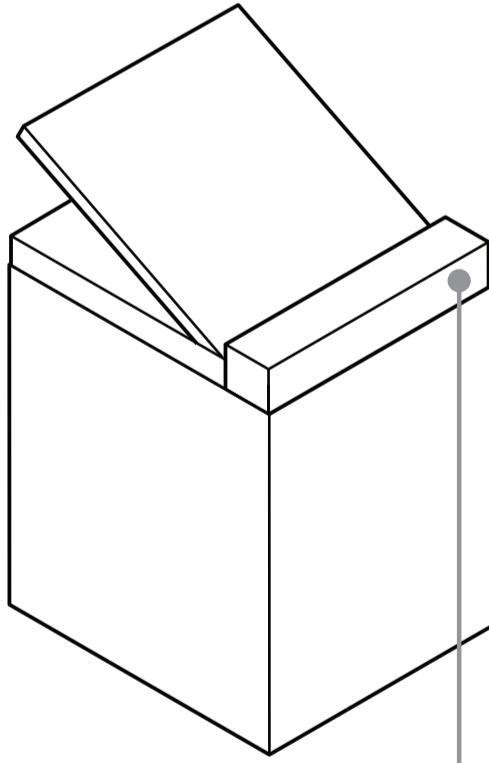


Serial label located on the inside of the door or on the back of the product.

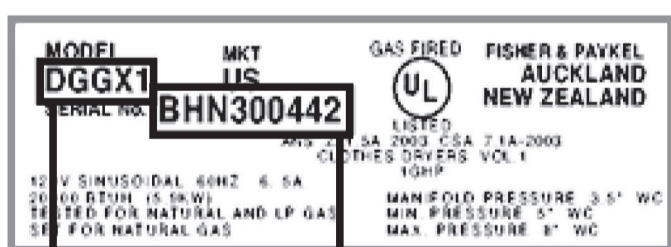


MODEL NUMBER SERIAL NUMBER

SMARTLOAD DRYER

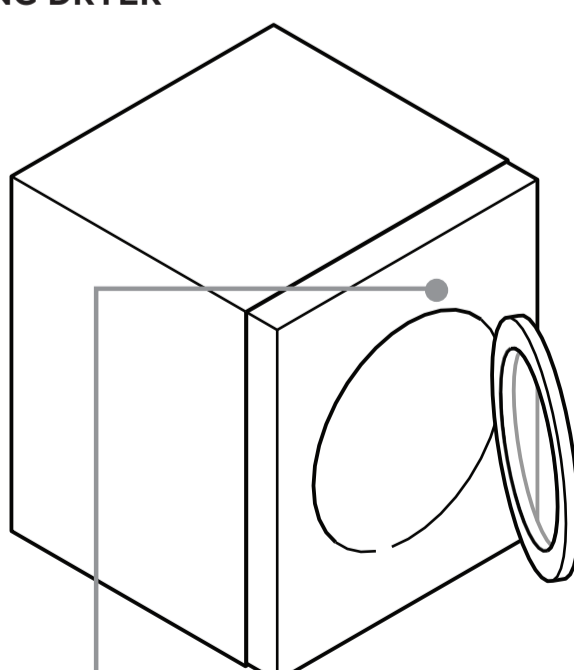


Serial label located on the back of the product.

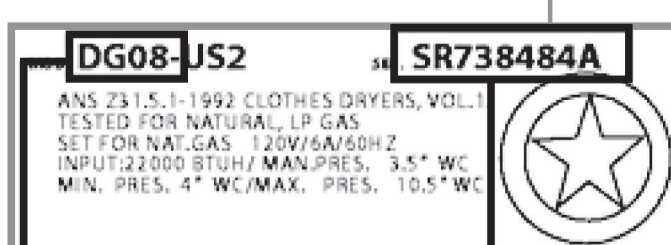


MODEL NUMBER SERIAL NUMBER

DE08/DG08 FRONT LOADING DRYER



Serial label located at the top of the door frame when the door is opened.

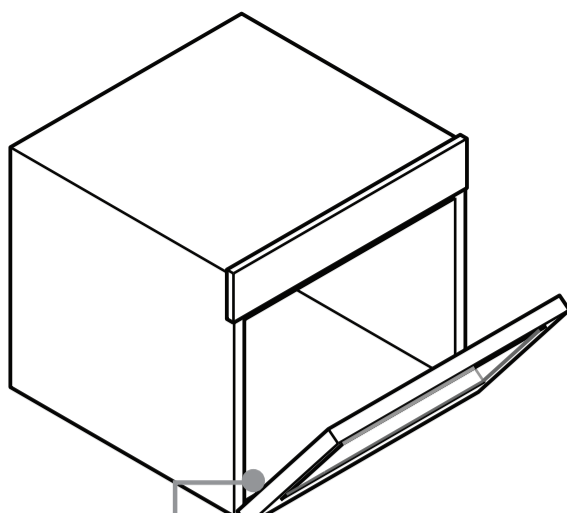



MODEL NUMBER SERIAL NUMBER

KITCHEN COMPANION PRODUCTS

**Actual labels may differ from shown*

MICROWAVE OVEN (OM36 models only)



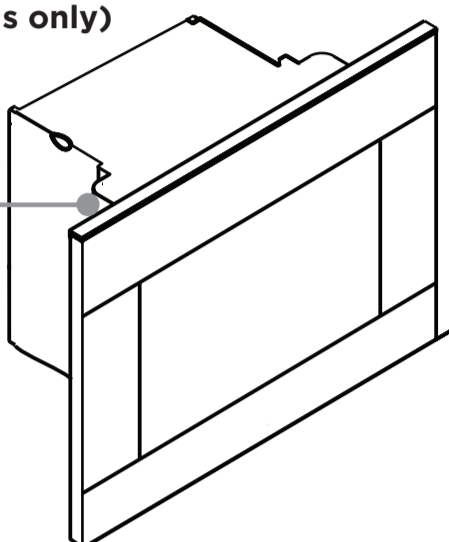
Assembled by FISI ET & PAVOLO Ltd in MEXICO				36
PRODUCT	MODEL	AMPS	APPROVALS	SERIAL NO.
80671-A	CG9060WACX1	0.055	N.A.	NAX240404
220-240V AC 60Hz ONLY				U.S. PATENT # 2,200,000
HP Shipped with gas valve for NO				


Serial label located inside the oven frame on the bottom

MODEL NUMBER

SERIAL NUMBER

COFFEE MAKER (EB60 models only)



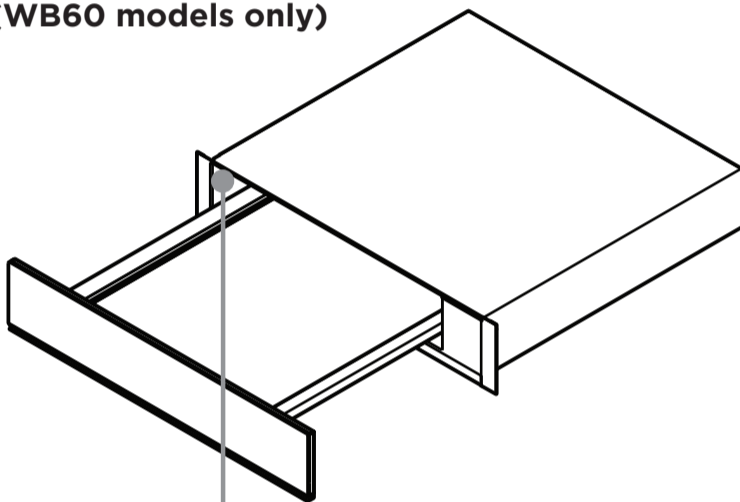
Assembled by FISI ET & PAVOLO Ltd in MEXICO				36
PRODUCT	MODEL	AMPS	APPROVALS	SERIAL NO.
80671-A	CG9060WACX1	0.055	N.A.	NAX240404
220-240V AC 60Hz ONLY				U.S. PATENT # 2,200,000
HP Shipped with gas valve for NO				


Serial label located behind the front fascia on the left hand side

MODEL NUMBER

SERIAL NUMBER

WARMING DRAWER (WB60 models only)



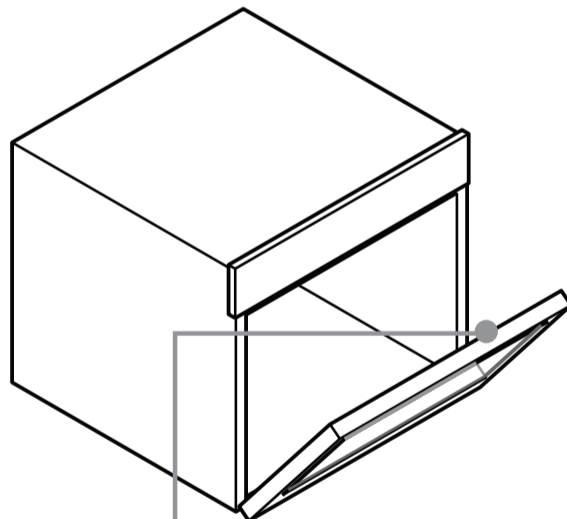
Assembled by FISI ET & PAVOLO Ltd in MEXICO				36
PRODUCT	MODEL	AMPS	APPROVALS	SERIAL NO.
80671-A	CG9060WACX1	0.055	N.A.	NAX240404
220-240V AC 60Hz ONLY				U.S. PATENT # 2,200,000
HP Shipped with gas valve for NO				


Serial label located on the left hand wall inside the warming drawer

MODEL NUMBER

SERIAL NUMBER

COMPACT OVEN (OB60N8 models only)



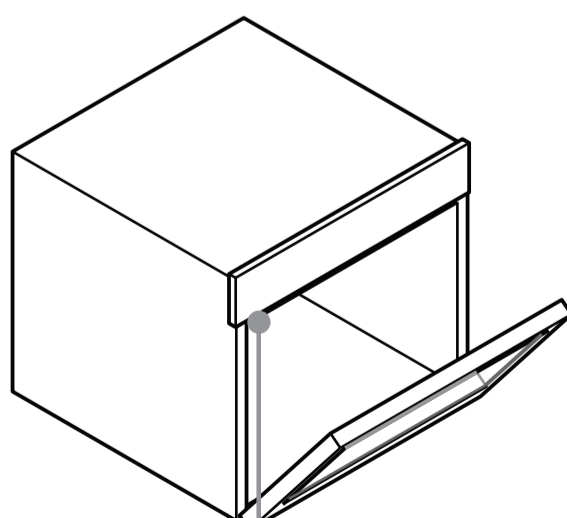
Assembled by FISI ET & PAVOLO Ltd in MEXICO				36
PRODUCT	MODEL	AMPS	APPROVALS	SERIAL NO.
80671-A	CG9060WACX1	0.055	N.A.	NAX240404
220-240V AC 60Hz ONLY				U.S. PATENT # 2,200,000
HP Shipped with gas valve for NO				


Serial label located on right hand side inside of the door frame

MODEL NUMBER

SERIAL NUMBER

STEAM OVEN (OS60 models only)



Assembled by FISI ET & PAVOLO Ltd in MEXICO				36
PRODUCT	MODEL	AMPS	APPROVALS	SERIAL NO.
80671-A	CG9060WACX1	0.055	N.A.	NAX240404
220-240V AC 60Hz ONLY				U.S. PATENT # 2,200,000
HP Shipped with gas valve for NO				

Serial label located inside the top oven panel behind the cavity.

MODEL NUMBER

SERIAL NUMBER