

# **PARTS AND EXPLODED VIEWS**

---

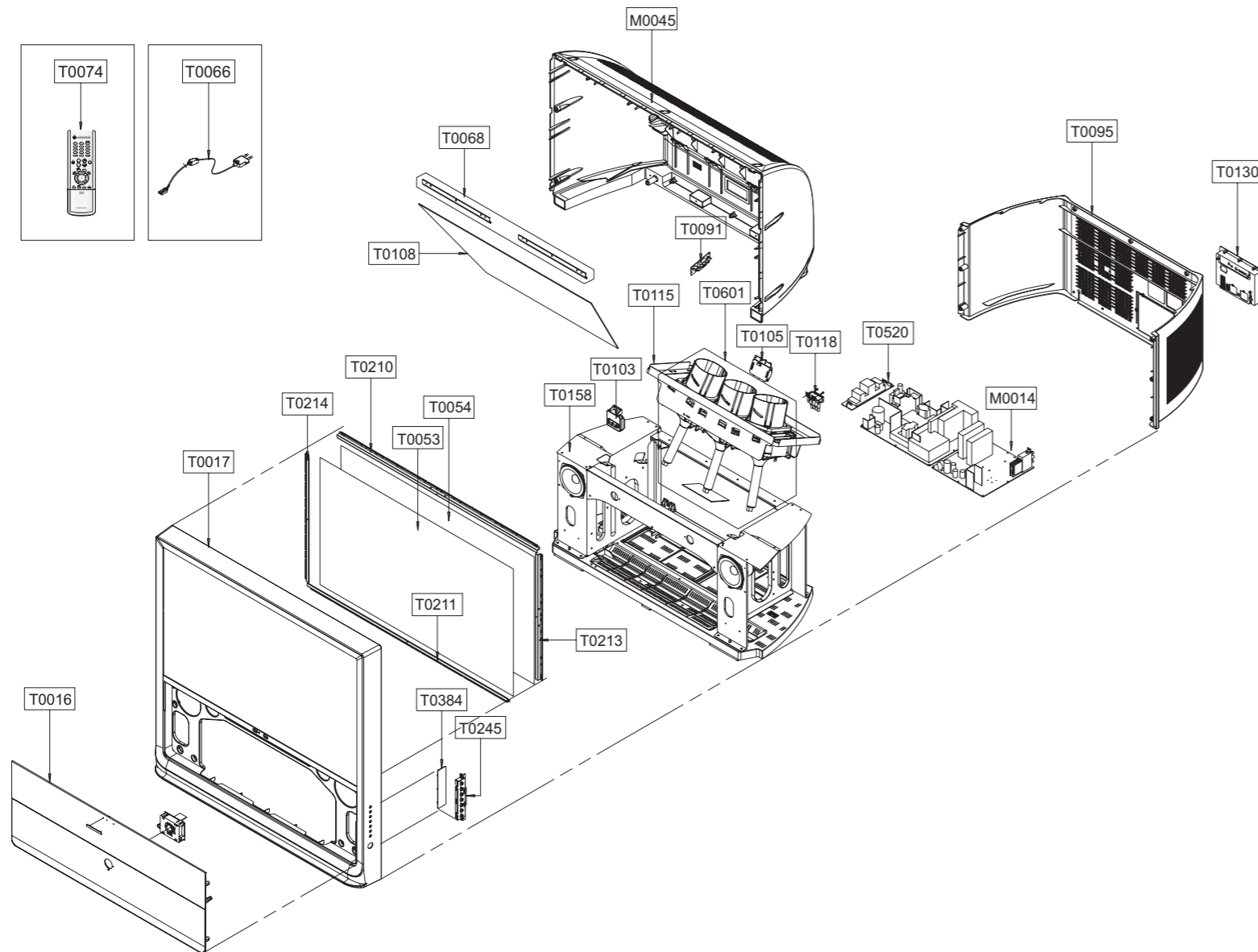
MANUFACTURER : **SAMSUNG**

MODEL : **HCP4752WX**

NOTE : \_\_\_\_\_

## 4. Exploded View & Part List

### 4-1 HCP4752WX/XAA



Loc.No.	Code No.	Description;Specification	Q'ty	S.N.A
M0014	BP94-00772A	ASSY PCB MAIN;HCP4252WX/XAA,P59A	1	
M0045	BP64-00411A	CABINET BACK-TOP;47Q2,HIPS,HB,GR503	1	
T0016	BP96-00556A	ASSY COVER P-FRONT BOT;47Q2,HIPS,V0,GRY,	1	
T0017	BP64-00409A	CABINET FRONT-MASK;47Q2,HIPS,HB,GR503,SV	1	
T0053	AA67-00196D	SCREEN FRESNEL;47W,MBS,1072*614,2	1	
T0054	BP67-00104D	SCREEN LENTI;47W,PMMA,1070*612,0.76	1	
T0066	AA96-00156D	ASSY POWER CORD;-EP2/YES(US),H/C 200MM,	1	
T0068	BP61-00008A	BRACKET-MIRROR,ASSY;42W5,SECC,T1.0,AA61-	2	S.N.A
T0074	BP59-00058A	REMOCON;CHAMP-2,TM76A,47,PJT,EX,SAMSUNG,	1	
T0091	BP94-01214A	ASSY PCB MISC-A/V SIDE;HCP4752WX/XAA,P59	1	
T0095	BP64-00412A	CABINET BACK-BOTTOM;47Q2,HIPS,V0,GR503	1	
T0103	BP59-00045A	MODULE-FOCUS PACK ASSY;SVP-43W6HE,F301-	1	
T0105	BP94-01484A	ASSY PCB MISC-DY JACK;SVP-43H3HT,P61A	1	
T0108	BP67-00082B	MIRROR-BACK;SSM,GLASS,823*628*416,3,42Q2	1	
T0115	AA61-00475B	BRACKET-CRT,MAIN;54",SECC,T1.6,-,-,-	1	
T0118	AA26-00101A	TRANS FBT-H/V DISTRIBUTOR;FWZ50A001E/FFA	1	
T0130	BP96-00387E	ASSY COVER P-TERMINAL ANT;P59A,HIPS,VO,B	1	S.N.A
T0158	BP96-00557B	ASSY COVER P-MAIN;47Q2,P59A,MOLD+METAL	1	S.N.A
T0210	BP61-00659A	BRACKET-SCREEN TOP ASSY;47Q1,SECC,T1.0,S	1	S.N.A
T0211	BP61-00660A	BRACKET-SCREEN BOT ASSY;47Q1,SECC,T1.0,S	1	S.N.A
T0213	BP61-00661A	BRACKET-SCREEN R ASSY;47Q1,Q5,Q8,SECC,T1	1	S.N.A
T0214	BP61-00662A	BRACKET-SCREEN L ASSY;47Q1,Q5,Q8,SECC,T1	1	S.N.A
T0245	BP94-01142A	ASSY PCB MISC-KEY CONTROL;HCP5252,P59A	1	
T0384	BP94-02124A	ASSY PCB MISC-PWR CONTROL;SVP-42Q2HL,P60	1	
T0520	BP94-01392E	ASSY PCB MISC-LINE FILTER;CHAMP,BP94-010	1	S.N.A
T0601	BP91-01495A	ASSY PRT;HCP4752WX/XAA,J59A	1	S.N.A

## 5. Electrical Part List

### 5-1 HCP4752WX/XAA

Level	Loc.No.	Code No.	Description;Specification	Remark	Level	Loc.No.	Code No.	Description;Specification	Remark
<b>ASSY COVER FRONT</b>									
1	M0001	BP90-00229B	ASSY COVER FRONT;HCP4752WX/XAA,P59A	S.N.A	...	T0069	AA60-00091F	SPACER-FELT;FELT,150X10,-,-,BLK,TO.5,-	
					...	T0069	AA60-00091R	SPACER-FELT;FELT,250X10,-,-,BLK,TO.5,-	S.N.A
					...	T0069	AA60-00091S	SPACER-FELT;61L2,FELT,30*10,BLK,TO.5	S.N.A
					...	T0299	AA61-01104A	HOLDER-LOCK;Z7,ABS,HB,BLK	S.N.A
					...	T0057	BP64-00177A	BADGE-BRAND;ALL,AL,T1.5,70,11.3,BLK,SILI	S.N.A
.2	M0081	6003-001023	SCREW-TAPTITE;PWH,+B,M3,L10,ZPC(YEL),SW	S.N.A	...	T0023	BP64-00312A	KNOB POWER-ASSY;43T9,ABS,HB,GRY	S.N.A
.2	M0081	6003-001039	SCREW-TAPTITE;PWH,+B,M3,L10,ZPC(YEL),SW	S.N.A	...	CIS7	AA61-60003J	SPRING ETC-CS;-SUS304,-,-,OD6,N7,OD6,-,	S.N.A
.2	M0081	6003-001323	SCREW-TAPTITE;HH,+B,M4,L15,ZPC(BLK),SWR	S.N.A	...	T0061	BP64-00125A	WINDOW-REMOCON;52Q7,PC,CLR	S.N.A
.2	M0081	6003-001339	SCREW-TAPTITE;HH,+B,M4,L15,ZPC(BLK),SWR	S.N.A	...	T0071	BP64-00128B	INDICATOR-LED;47,52Q7,PC CLEAR,....	S.N.A
.2	M0081	6003-001339	SCREW-TAPTITE;HH,+B,M4,L15,ZPC(BLK),SWR	S.N.A	...	T0023	BP64-00326A	KNOB POWER;43T9,ABS,HB,BLK,SVM3012	S.N.A
.2	M0081	6003-001339	SCREW-TAPTITE;HH,+B,M4,L15,ZPC(BLK),SWR	S.N.A	...	...	BP61-00441B	GUIDE-KNOB POWER;HIPS HB,GR503	S.N.A
.2	T0118	AA26-00101A	TRANS FBT-HV DISTRIBUTOR;FWZ50A001E/FFA		...	...	BP64-00331B	DECORATION-POWER;PJT,ABS,HB,GR503,SVM30	S.N.A
.2	T0600	AA60-00072B	SPACER-COVER,DUST;43,54,62J9,SPONGE 94HF		...	T0016	BP64-00410B	CABINET FRONT-BOTTOM;47Q2,HIPS,V0,GR503,	
.2	T0052	AA67-00136B	SUN SCREEN;47W,PMMA,1072*614,2,AG		...	M0114	AA61-20129A	HOLDER-WIRE;-NYLON-66,-,-,NTR,DAFC-25	S.N.A
.2	T0053	AA67-00196D	SCREEN FRESNEL;47W,MBS,1072*614,2		...	T0382	BP61-00509C	HOLDER-CARE;PJT,ACRYL-FOAM,TO.25,W20.0mm	S.N.A
.2	T0245	BP39-00009A	LEAD CONNECTOR-ASSY;P54A/SVP-42W5,UL2547		.2	T0600	BP60-00053A	SPACER-COVER DUST;47Q2,SPONGE,T3.0,94HF-	S.N.A
.2	T0210	BP61-00659A	BRACKET-SCREEN TOP ASSY;47Q1,SECC,T1.0,S	S.N.A	.2	T0382	BP61-00492C	HOLDER-CARE;PJT,ACRYL-FOAM,TO.25,W50.0mm	S.N.A
...	T0069	AA60-00091J	SPACER-FELT;FELT,330X10,-,-,BLK,TO.5,-	S.N.A	.2	T0415	BP96-00573B	ASSY COVER P-HOLDER PACK;PJT,PP	S.N.A
...	T0559	BP61-00043B	HOLDER-SENSOR;W9,PC HB,VIOLET	S.N.A	...	T0213	BP60-00052B	SPACER-BELLOWS;PJT,PS,CLR,TO.3	S.N.A
...	T0101	BP61-00496A	BRACKET-SCREEN TB;47Q1,SECC,T1.0,BLK	S.N.A	...	T0293	BP61-01064A	HOLDER-PACK;PJT,PP,BLK	S.N.A
...	M0114	BP61-00871B	HOLDER-WIRE;PJT,PP,6,NATURAL	S.N.A	.2	M0081	6003-001135	SCREW-TAPTITE;TH,+B,M4,L15,BLK,SWRCH18A	S.N.A
.2	T0211	BP61-00660A	BRACKET-SCREEN BOT ASSY;47Q1,SECC,T1.0,S	S.N.A	.2	M0081	6003-001135	SCREW-TAPTITE;TH,+B,M4,L15,BLK,SWRCH18A	S.N.A
...	T0069	AA60-00091J	SPACER-FELT;FELT,330X10,-,-,BLK,TO.5,-	S.N.A	.2	M0081	6003-001135	SCREW-TAPTITE;TH,+B,M4,L15,BLK,SWRCH18A	S.N.A
...	CIS1	AA65-00020A	CLAMPER CORE-WIRE;55W9,NYLON 66	S.N.A	.2	M0081	6003-001135	SCREW-TAPTITE;TH,+B,M4,L15,BLK,SWRCH18A	S.N.A
...	T0559	BP61-00043B	HOLDER-SENSOR;W9,PC HB,VIOLET	S.N.A	.2	M0081	6003-001135	SCREW-TAPTITE;TH,+B,M4,L15,BLK,SWRCH18A	S.N.A
...	T0101	BP61-00496A	BRACKET-SCREEN TB;47Q1,SECC,T1.0,BLK	S.N.A	.2	M0081	6003-001135	SCREW-TAPTITE;TH,+B,M4,L15,BLK,SWRCH18A	S.N.A
...	M0114	BP61-00871B	HOLDER-WIRE;PJT,PP,6,NATURAL	S.N.A	.2	M0081	6003-001135	SCREW-TAPTITE;TH,+B,M4,L15,BLK,SWRCH18A	S.N.A
.2	T0213	BP61-00661A	BRACKET-SCREEN R ASSY;47Q1,Q5,Q8,SECC,T1	S.N.A	.2	M0081	6003-001135	SCREW-TAPTITE;TH,+B,M4,L15,BLK,SWRCH18A	S.N.A
...	T0559	BP61-00043B	HOLDER-SENSOR;W9,PC HB,VIOLET	S.N.A	.2	M0081	6003-001135	SCREW-TAPTITE;TH,+B,M4,L15,BLK,SWRCH18A	S.N.A
...	...	BP61-00497A	BRACKET-SCREEN LR;47Q1,SECC,T1.0	S.N.A	.2	M0081	6003-001135	SCREW-TAPTITE;TH,+B,M4,L15,BLK,SWRCH18A	S.N.A
...	T0069	AA60-00091P	SPACER-FELT;FELT,500X10,BLK,TO.5	S.N.A	<b>ASSY COVER REAR</b>				
...	M0114	BP61-00871B	HOLDER-WIRE;PJT,PP,6,NATURAL	S.N.A	1	M0002	BP90-00230B	ASSY COVER REAR;HCP4752WX/XAA,P59A	S.N.A
.2	T0214	BP61-00662A	BRACKET-SCREEN L ASSY;47Q1,Q5,Q8,SECC,T1	S.N.A	.2	T0068	BP61-00008A	BRACKET-MIRROR;ASSY;42W5,SECC,T1.0,AA61-	S.N.A
...	CIS1	AA65-00020A	CLAMPER CORE-WIRE;55W9,NYLON 66	S.N.A	...	T0505	AA61-01123A	BRACKET-MIRROR;42W5,SECC,T1.0	S.N.A
...	T0559	BP61-00043B	HOLDER-SENSOR;W9,PC HB,VIOLET	S.N.A	...	T0278	BP60-00005A	SPACER-SPONGE;42W5,RUBBER-SPONGE,T3	S.N.A
...	...	BP61-00497A	BRACKET-SCREEN LR;47Q1,SECC,T1.0	S.N.A	...	T0933	BP63-00148A	COVER-FOCUS HOLE;PJT,ABS,HIPS,2.0,HB,GR503	S.N.A
...	T0069	AA60-00091P	SPACER-FELT;FELT,500X10,BLK,TO.5	S.N.A	.2	M0045	BP64-00411A	CABINET BACK-TOP;47Q2,HIPS,HB,GR503	
...	M0114	BP61-00871B	HOLDER-WIRE;PJT,PP,6,NATURAL	S.N.A	.2	T0095	BP64-00412A	CABINET BACK-BOTTOM;47Q2,HIPS,V0,GR503	
.2	T0017	BP64-00409A	CABINET FRONT-MASK;47Q2,HIPS,HB,GR503,SV		.2	T0130	BP96-00387E	ASSY COVER P-TERMINAL ANT;P59A,HIPS,VO,B	S.N.A
...	T0382	BP61-00509C	HOLDER-CARE;PJT,ACRYL-FOAM,TO.25,W20.0mm	S.N.A	...	T0071	BP64-00310D	INLAY-TERMINAL;P59A,PS,TO.5,BLK,SEA	S.N.A
.2	T0054	BP67-00104D	SCREEN LENTI;47W,PMMA,1070*612,0.76		...	T0130	BP65-00008A	TERMINAL-BOARD ANT;P59A,P61A,HIPS V0,GRA	S.N.A
.2	T0158	BP96-00557B	ASSY COVER P-MAIN;47Q2,P59A,MOLD+METAL	S.N.A	.2	T0578	BP64-00329C	INLAY AV;47Q2,PS,TO.3,P59A,SEA	S.N.A
...	T0082	3001-000279	SPEAKER;30W,8OHM,91DB,20HZ		.2	T0108	BP67-00082B	MIRROR-BACK;SSM,GLASS,823*628*416,3,42Q2	
...	T0082	3001-001107	SPEAKER;20W,8OHM,95DB,1300HZ		.2	T0522	AA65-30008A	CLAMPER CORE-CORD;-PE,HB,-,BLK,-	S.N.A
...	M0081	6003-001321	SCREW-TAPTITE;BH,+B,M4,L8,ZPC(BLK),SWRC	S.N.A	.2	M0114	BP61-00887A	HOLDER-WIRE;47Q2,NYLON66,DAFC-2000	S.N.A
...	M0081	6003-001321	SCREW-TAPTITE;BH,+B,M4,L8,ZPC(BLK),SWRC	S.N.A	.2	CIS7	AA64-60421B	INLAY-COVER;-PS,TO.3,-,-,BLK,AAFES	S.N.A
...	M0081	6003-001321	SCREW-TAPTITE;BH,+B,M4,L8,ZPC(BLK),SWRC	S.N.A	<b>ASSY CHASSIS</b>				
...	B/S+C/B	6009-001420	SCREW-HEX;HEX,+WC,M6,L20,ZPC(BLK),SWRCH		1	M0017	BP91-01248A	ASSY CHASSIS;HCP4752WX/XAA,P59A	S.N.A
...	BCM+MAIN	6009-001420	SCREW-HEX;HEX,+WC,M6,L20,ZPC(BLK),SWRCH		.2	T0098	AA94-08268B	ASSY PCB MISC-VM;HCN559WX/XAA,P58A	
...	T0245	AA39-00086A	LEAD CONNECTOR-ASSY;2.2UF,200MM,REC,REC		...	T0245	0202-001366	SOLDER-WIRE FLUX;-RS60S,D1.2,63Sn/37Pb,	S.N.A
...	T0115	AA61-00475B	BRACKET-CRT,MAIN;54,SECC,T1.6,-,-,-,-		...	RZ120	2008-001097	R-FUSIBLE(S);330HM,5%,1/2W,AC,BK,2.5X6.5	
...	CIS1	AA65-00011C	CLAMPER CORE-WIRE;ALL MODEL,NYLON 66,V2	S.N.A	...	T0121	3301-001201	CORE-FERRITE;AE,21x11x32mm,1500,280Q	
...	CIS1	AA65-30105C	CLAMPER CORE-WIRE;ALL MODEL,NYLON 66,V2	S.N.A	...	M0081	6003-001023	SCREW-TAPTITE;PWH,+B,M3,L10,ZPC(YEL),SW	S.N.A
...	M2893	BP39-00130A	LEAD CONNECTOR;SVP-43W6,UL1007#22,4P,120		...	T0079	AA33-00017A	MAGNET CONVERGENCE;JH 92LT - 29G,PJT-TV,	
...	T0211	BP61-00453B	BRACKET-FRONT TOP;42Q2,SECC,T1.2,P59A	S.N.A	...	...	AA96-00243L	ASSY HEAT SINK P;-CRT,AA62-000450A,2SC2	S.N.A
...	M0014	BP61-00454A	BRACKET-BACK TOP;42Q2,SECC,T1.2	S.N.A	...	T0522	0205-001153	GREASE-SILICON;SC102,JAPAN,-	S.N.A
...	T0524	BP61-00600A	BRACKET-SIDE L;47Q2,SECC,T1.2	S.N.A					
...	T0525	BP61-00601A	BRACKET-SIDE R;47Q2,SECC,T1.2	S.N.A					
...	T0002	BP64-00413A	CABINET-BOTTOM;47Q2,HIPS,V0,GR503						
...	T0294	BP61-00741A	BRACKET-FOCUS;47Q7,SECC,T1.6	S.N.A					
...	T0069	AA60-00091V	SPACER-FELT;L5,L450,BLK,TO.5,W30	S.N.A					
.2	HC+CW	6009-001296	SCREW-SPECIAL;BH,+M4,L12(11),ZPC(BLK)	S.N.A					
.2	T0016	BP96-00556A	ASSY COVER P-FRONT BOT;47Q2,HIPS,V0,GRY,						
...	M0081	6003-001019	SCREW-TAPTITE;RH,+B,M4,L12,ZPC(BLK),SWR	S.N.A					
...	M0081	6003-001019	SCREW-TAPTITE;RH,+B,M4,L12,ZPC(BLK),SWR	S.N.A					

Electrical Part List

Level	Loc.No.	Code No.	Description;Specification	Remark	Level	Loc.No.	Code No.	Description;Specification	Remark
....4	M0081	6003-000335	SCREW-TAPTITE;RH,+2S,M3,L8,ZPC(YEL),SWR	S.N.A	...3	CN906	3711-003240	CONNECTOR-HEADER;BOX,15P,1R,2.5mm,STRAIG	
....4	T0175	AA62-00045A	HEAT SINK-PS,-,T1.0,-,DREAM,-,-,-,-,	S.N.A	...3	CN906	3711-003240	CONNECTOR-HEADER;BOX,15P,1R,2.5mm,STRAIG	
....4		0502-000153	TR-POWER;2S2344-D,NPN,1.2W,TO-220,-,60		...3	JA703	3722-001163	JACK-VHS;4P,AU,BLK,ANGLE	
...3	QZ101	AA96-00243M	ASSY HEAT SINK P,-,AMP,AA62-000450A,2SA1	S.N.A	...3	JA701	3722-001426	JACK-PIN;9P,3.4mm,NI,BLK,-	
....4	T0522	0205-001153	GREASE-SILICON;SC102,JAPAN,-	S.N.A	...3	JA704	3722-001795	JACK-PIN;10P(10P),- ,NI,RD/WH/RD/BL/GN*2,	
....4	M0081	6003-000335	SCREW-TAPTITE;RH,+2S,M3,L8,ZPC(YEL),SWR	S.N.A	...3	JA702	3722-001871	JACK-PIN;5P(9P),8.3MM,NI,GRN/BLU/RED/WHT	
....4	T0175	AA62-00045A	HEAT SINK-PS,-,T1.0,-,DREAM,-,-,-,-,	S.N.A	...3	T0010	AA27-10001C	COIL CHOKE,-,100uH,K,-,5.0A,ST,700UH-K(R	
....4		0502-000131	TR-POWER;2SA1011-D,P,NP,1.2W,TO-220,-,60		...3	L801	AA29-00004A	FILTER LINE NOISE,-,20UH,3A,AC80-260V,TQ	
...3		BP97-00504A	ASSY AUTO-VM;SP43T8HEX,J61A,VM,COMMANDO	S.N.A	...3	CIS3	AA40-00122A	TUNER;TMQH2-003A,C-TV TM(SUB),NTSC,181CH	
....4	DZ102	0401-000005	DIODE-SWITCHING;1N4148,75V,150MA,DO-35,T		...3	CIS3	AA40-00122A	TUNER;TMQH2-003A,C-TV TM(SUB),NTSC,181CH	
....4	DZ105	0401-000005	DIODE-SWITCHING;1N4148,75V,150MA,DO-35,T		...3	TU01	AA59-00164A	MODULE-RF,SPLITTER,-,UMX-NT-005,-,2IN/3O	
....4	DZ106	0401-000005	DIODE-SWITCHING;1N4148,75V,150MA,DO-35,T		...3	GT811	AA60-40014A	PIN-GT,ASSY;AUTO	
....4	DZ104	0402-000546	DIODE-RECTIFIER;TVR10G,400V,1.0A,DO-41,T		...3		AA63-00396B	SHIELD CASE-TOP;PRJT,P54A,SPT,TO.5,-,-,	S.N.A
....4	DZ103	0402-000546	DIODE-RECTIFIER;TVR10G,400V,1.0A,DO-41,T		...3		AA63-00397B	SHIELD CASE-BOT;PRJT,P54A,SPT,TO.5,-,-,	S.N.A
....4	DZ101	0402-000546	DIODE-RECTIFIER;TVR10G,400V,1.0A,DO-41,T		...3	T0104	BP95-00207A	ASSY SUB PCB-MIXOM;HCP4252WX/XAA,P60A	
....4	QZ103	0501-000283	TR-SMALL SIGNAL;KSA539,P,NP,400mW,TO-92,T		...4	T0245	0202-001366	SOLDER-WIRE FLUX;- ,RS60S,D1.2,63Sn/37Pb,	S.N.A
....4	QZ106	0501-000389	TR-SMALL SIGNAL;KSC815,NPN,400mW,TO-92,T		...4	Q409	0505-000109	FET-SILICON;2N7000,N,60V,200mA,5ohm,400m	
....4	QZ105	0501-000389	TR-SMALL SIGNAL;KSC815,NPN,400mW,TO-92,T		...4	Q409	0505-000109	FET-SILICON;2N7000,N,60V,200mA,5ohm,400m	
....4	QZ104	0501-000389	TR-SMALL SIGNAL;KSC815,NPN,400mW,TO-92,T		...4	X901	2801-004071	CRYSTAL-UNIT;6MHZ,30PPM,28-AAM,20PF,400H	
....4	RZ122	2001-000019	R-CARBON(S);100HM,5%,1/2W,AA,TP,2.4X6.4M		...4	CN902	3703-001175	CONNECTOR-BOX PANEL;64P,2R,MALE,ANGLE,A	
....4	RZ109	2001-000221	R-CARBON;1.2KOHM,5%,1/8W,AA,TP,1.8X3.2MM		...4	T0174	BP97-00612A	ASSY SMD;P59A,CHAMP	S.N.A
....4	RZ102	2001-000221	R-CARBON;1.2KOHM,5%,1/8W,AA,TP,1.8X3.2MM		...5	D905	0401-000133	DIODE-SWITCHING;RLS4148,75V,150MA,LL-34,	
....4	RZ101	2001-000241	R-CARBON;1.5KOHM,5%,1/8W,AA,TP,1.8X3.2MM		...5	D904	0401-000133	DIODE-SWITCHING;RLS4148,75V,150MA,LL-34,	
....4	RZ108	2001-000241	R-CARBON;1.5KOHM,5%,1/8W,AA,TP,1.8X3.2MM		...5	D903	0401-000133	DIODE-SWITCHING;RLS4148,75V,150MA,LL-34,	
....4	RZ118	2001-000258	R-CARBON;1.8KOHM,5%,1/8W,AA,TP,1.8X3.2MM		...5	D900	0401-000133	DIODE-SWITCHING;RLS4148,75V,150MA,LL-34,	
....4	RZ117	2001-000258	R-CARBON;1.8KOHM,5%,1/8W,AA,TP,1.8X3.2MM		...5	D901	0401-000133	DIODE-SWITCHING;RLS4148,75V,150MA,LL-34,	
....4	RZ107	2001-000331	R-CARBON;12KOHM,5%,1/8W,AA,TP,1.8X3.2MM		...5	D902	0401-000133	DIODE-SWITCHING;RLS4148,75V,150MA,LL-34,	
....4	RZ116	2001-000331	R-CARBON;12KOHM,5%,1/8W,AA,TP,1.8X3.2MM		...5	DZ906	0403-001375	DIODE-ZENER;RLZ3.6B,3.6-3.845V,500MW,LL-	
....4	RZ119	2001-000554	R-CARBON;270OHM,5%,1/8W,AA,TP,1.8X3.2MM		...5	DZ905	0403-001375	DIODE-ZENER;RLZ3.6B,3.6-3.845V,500MW,LL-	
....4	RZ121	2001-000666	R-CARBON;330HM,5%,1/8W,AA,TP,1.8X3.2MM		...5	DZ900	0403-001375	DIODE-ZENER;RLZ3.6B,3.6-3.845V,500MW,LL-	
....4	RZ115	2001-000832	R-CARBON;510OHM,5%,1/8W,AA,TP,1.8X3.2MM		...5	DZ901	0403-001375	DIODE-ZENER;RLZ3.6B,3.6-3.845V,500MW,LL-	
....4	RZ110	2001-001100	R-CARBON(S);2.7OHM,5%,1/2W,AA,TP,2.4X6.4		...5	DZ902	0403-001375	DIODE-ZENER;RLZ3.6B,3.6-3.845V,500MW,LL-	
....4	RZ104	2001-001100	R-CARBON(S);2.7OHM,5%,1/2W,AA,TP,2.4X6.4		...5	DZ903	0403-001375	DIODE-ZENER;RLZ3.6B,3.6-3.845V,500MW,LL-	
....4	RZ106	2001-001139	R-CARBON(S);39KOHM,5%,1/2W,AA,TP,2.4X6.4		...5	Q911	0501-000727	TR-SMALL SIGNAL;BC848C,NPN,310mW,SOT-23,	
....4	RZ105	2001-001139	R-CARBON(S);39KOHM,5%,1/2W,AA,TP,2.4X6.4		...5	Q910	0501-000727	TR-SMALL SIGNAL;BC848C,NPN,310mW,SOT-23,	
....4	RZ114	2003-000458	R-METAL OXIDE(S);100ohm,5%,2W,AF,TP,4x12		...5	Q908	0501-000727	TR-SMALL SIGNAL;BC848C,NPN,310mW,SOT-23,	
....4	RZ111	2003-000713	R-METAL OXIDE(S);47ohm,5%,2W,AF,TP,4x12m		...5	Q907	0501-000727	TR-SMALL SIGNAL;BC848C,NPN,310mW,SOT-23,	
....4	RZ103	2003-000713	R-METAL OXIDE(S);47ohm,5%,2W,AF,TP,4x12m		...5	Q903	0501-000727	TR-SMALL SIGNAL;BC848C,NPN,310mW,SOT-23,	
....4	RZ123	2003-002157	R-METAL OXIDE;220OHM,5%,2W,AG,TP,6X16MM		...5	Q905	0501-000727	TR-SMALL SIGNAL;BC848C,NPN,310mW,SOT-23,	
....4	RZ113	2003-002157	R-METAL OXIDE;220OHM,5%,2W,AG,TP,6X16MM		...5	Q906	0501-000727	TR-SMALL SIGNAL;BC848C,NPN,310mW,SOT-23,	
....4	RZ112	2003-002157	R-METAL OXIDE;220OHM,5%,2W,AG,TP,6X16MM		...5	Q904	0501-000727	TR-SMALL SIGNAL;BC848C,NPN,310mW,SOT-23,	
....4	RFZ101	2008-0001086	R-FUSIBLE(S);3.3ohm,5%,2W,AG,TP,3.9x12mm		...5	Q912	0501-000727	TR-SMALL SIGNAL;BC848C,NPN,310mW,SOT-23,	
....4	CZ106	2201-000193	C-CERAMIC,DISC;0.01NF,0.25PF,50V,C0G,TP,		...5	Q913	0501-000727	TR-SMALL SIGNAL;BC848C,NPN,310mW,SOT-23,	
....4	CZ104	2201-000193	C-CERAMIC,DISC;0.01NF,0.25PF,50V,C0G,TP,		...5	IC112	1103-001195	IC-EEPROM;24C64,8Kx8,SOP,P,5x4mm,2.7/5.5	
....4	CZ110	2201-000604	C-CERAMIC,DISC;0.056NF,+100-0%,500V,SL,T		...5	IC113	1105-001305	IC-DRAM;4S641632,1MX16X4BIT,T SOP,54P,400	
....4	CZ111	2401-000480	C-AL;10uF,20%,50V,GP,TP,5x11,5		...5	IC904	1203-001814	IC-VOL. DETECTOR;7025,SOT-89,4P,98MIL,PL	
....4	CZ112	2401-000832	C-AL;220uF,20%,25V,GP,TP,8x11,5,5		...5	T0087	1203-002302	IC-POSIFIXED REG.;78RM33D,D-PAK,3P,-,PL	
....4	CZ102	2401-001157	C-AL;33uF,20%,160V,GP,TP,12.5x20,5		...5	T0087	1203-002351	IC-POSIFIXED REG.;LF25C,DPAK,3P,240MIL,	
....4	CZ108	2401-001220	C-AL;4.7uF,20%,160V,GP,TP,8x11,5,5		...5	IC901	1204-002105	IC-DECODER;SDA6001-B12,MQFP,128P,28x28mm	
....4	CZ109	2401-001220	C-AL;4.7uF,20%,160V,GP,TP,8x11,5,5		...5	C949	2007-000070	R-CHIP;0ohm,5%,1/10W,TP,1608	
....4	CZ107	2401-001513	C-AL;47uF,20%,16V,WT,TP,5x11,5		...5	R939	2007-000070	R-CHIP;0ohm,5%,1/10W,TP,1608	
....4	CZ101	2401-002144	C-AL;47uF,20%,16V,GP,TP,5x11,5		...5	R867	2007-000070	R-CHIP;0ohm,5%,1/10W,TP,1608	
....4	LZ101	2701-000002	INDUCTOR-AXIAL;100UH,10%,4298		...5	R969	2007-000071	R-CHIP;22ohm,5%,1/10W,TP,1608	
....4	CN906	3711-002642	CONNECTOR-HEADER;BOX,3P,1R,2.5mm,STRAIGH		...5	R977	2007-000074	R-CHIP;100ohm,5%,1/10W,TP,1608	
....4	CN906	3711-002642	CONNECTOR-HEADER;BOX,3P,1R,2.5mm,STRAIGH		...5	R963	2007-000074	R-CHIP;100ohm,5%,1/10W,TP,1608	
....4	CN906	3711-002642	CONNECTOR-HEADER;BOX,3P,1R,2.5mm,STRAIGH		...5	R962	2007-000074	R-CHIP;100ohm,5%,1/10W,TP,1608	
....4	PCB	AA41-00611A	PCB-VM;HCM4215W,FR-1,1L,A,1.6T,245X245,P	S.N.A	...5	R956	2007-000074	R-CHIP;100ohm,5%,1/10W,TP,1608	
....4	CZ103	2201-000516	C-CERAMIC,DISC;4.7NF,+100-0%,500V,Y5U,TP		...5	R955	2007-000074	R-CHIP;100ohm,5%,1/10W,TP,1608	
....4	CZ105	2201-000516	C-CERAMIC,DISC;4.7NF,+100-0%,500V,Y5U,TP		...5	R949	2007-000074	R-CHIP;100ohm,5%,1/10W,TP,1608	
...3	M2893	BP39-00069B	LEAD CONNECTOR;P58A,UL1007#26,UL/CSA,6P,		...5	R996	2007-000074	R-CHIP;100ohm,5%,1/10W,TP,1608	
..2	M0014	BP94-00772A	ASSY PCB MAIN;HCP4252WX/XAA,P59A		...5	R994	2007-000074	R-CHIP;100ohm,5%,1/10W,TP,1608	
...3	T0245	0202-001366	SOLDER-WIRE FLUX;- ,RS60S,D1.2,63Sn/37Pb,	S.N.A	...5	R992	2007-000074	R-CHIP;100ohm,5%,1/10W,TP,1608	
...3	R814	2003-002161	R-METAL OXIDE(S);22KOHM,5%,3W,AG,TP,6X16		...5	R986	2007-000074	R-CHIP;100ohm,5%,1/10W,TP,1608	
...3	C681	2401-000737	C-AL;2200uF,20%,50V,GP,BK,18x35,5,7.5		...5	R985	2007-000074	R-CHIP;100ohm,5%,1/10W,TP,1608	
...3	C801	2401-001068	C-AL;3300uF,20%,50V,GP,BK,22x40,10		...5	R981	2007-000074	R-CHIP;100ohm,5%,1/10W,TP,1608	
...3	CN902	3703-001150	CONNECTOR-BACK PANEL;32P,2R,FEMALE,STRAI		...5	R947	2007-000074	R-CHIP;100ohm,5%,1/10W,TP,1608	
...3	CN902	3703-001187	CONNECTOR-BACK PANEL;64P,2R,FEMALE,STRAI		...5	R924	2007-000074	R-CHIP;100ohm,5%,1/10W,TP,1608	
...3	CN902	3710-001771	CONNECTOR-BACK PANEL;64P,2R,FEMALE,STRAI		...5	R923	2007-000074	R-CHIP;100ohm,5%,1/10W,TP,1608	
...3	CN906	3711-000577	CONNECTOR-HEADER;BOX,10P,1R,2.5mm,STRAIG		...5	R922	2007-000074	R-CHIP;100ohm,5%,1/10W,TP,1608	
...3	CN906	3711-000577	CONNECTOR-HEADER;BOX,10P,1R,2.5mm,STRAIG		...5	R921	2007-000074	R-CHIP;100ohm,5%,1/10W,TP,1608	
...3	CN906	3711-000616	CONNECTOR-HEADER;BOX,11P,1R,2.5mm,STRAIG		...5	R911	2007-000074	R-CHIP;100ohm,5%,1/10W,TP,1608	
...3	CN906	3711-000654	CONNECTOR-HEADER;BOX,12P,1R,2.5mm,STRAIG		...5	R910	2007-000074	R-CHIP;100ohm,5%,1/10W,TP,1608	
...3	CN906	3711-001038	CONNECTOR-HEADER;BOX,6P,1R,2.5mm,STRAIGH		...5	R946	2007-000074	R-CHIP;100ohm,5%,1/10W,TP,1608	
...3	CN906	3711-001154	CONNECTOR-HEADER;BOX,9P,1R,2.5mm,STRAIGH		...5	R945	2007-000074	R-CHIP;100ohm,5%,1/10W,TP,1608	
...3	CN906	3711-002642	CONNECTOR-HEADER;BOX,3P,1R,2.5mm,STRAIGH		...5	R944	2007-000074	R-CHIP;100ohm,5%,1/10W,TP,1608	
...3	CN906	3711-002642	CONNECTOR-HEADER;BOX,3P,1R,2.5mm,STRAIGH		...5	R926	2007-000074	R-CHIP;100ohm,5%,1/10W,TP,1608	
...3	CN906	3711-003043	CONNECTOR-HEADER;BOX,4P,1R,2.5mm,STRAIGH		...5	R928	2007-000074	R-CHIP;100ohm,5%,1/10W,TP,1608	

Level	Loc.No.	Code No.	Description;Specification	Remark	Level	Loc.No.	Code No.	Description;Specification	Remark
.....5	R929	2007-000074	R-CHIP;100ohm,5%,1/10W,TP,1608		.....5	C942	2203-000257	C-CER,CHIP;10nF,10%,50V,X7R,1608	
.....5	R925	2007-000076	R-CHIP;330ohm,5%,1/10W,TP,1608		.....5	C944	2203-000257	C-CER,CHIP;10nF,10%,50V,X7R,1608	
.....5	R948	2007-000078	R-CHIP;1Kohm,5%,1/10W,TP,1608		.....5	C946	2203-000257	C-CER,CHIP;10nF,10%,50V,X7R,1608	
.....5	R927	2007-000078	R-CHIP;1Kohm,5%,1/10W,TP,1608		.....5	C911	2203-000257	C-CER,CHIP;10nF,10%,50V,X7R,1608	
.....5	R908	2007-000078	R-CHIP;1Kohm,5%,1/10W,TP,1608		.....5	C913	2203-000257	C-CER,CHIP;10nF,10%,50V,X7R,1608	
.....5	R907	2007-000078	R-CHIP;1Kohm,5%,1/10W,TP,1608		.....5	C915	2203-000257	C-CER,CHIP;10nF,10%,50V,X7R,1608	
.....5	R999	2007-000081	R-CHIP;2.7Kohm,5%,1/10W,TP,1608		.....5	C917	2203-000257	C-CER,CHIP;10nF,10%,50V,X7R,1608	
.....5	R958	2007-000081	R-CHIP;2.7Kohm,5%,1/10W,TP,1608		.....5	C936	2203-000257	C-CER,CHIP;10nF,10%,50V,X7R,1608	
.....5	R957	2007-000081	R-CHIP;2.7Kohm,5%,1/10W,TP,1608		.....5	C934	2203-000257	C-CER,CHIP;10nF,10%,50V,X7R,1608	
.....5	R978	2007-000084	R-CHIP;4.7Kohm,5%,1/10W,TP,1608		.....5	C933	2203-000257	C-CER,CHIP;10nF,10%,50V,X7R,1608	
.....5	R976	2007-000084	R-CHIP;4.7Kohm,5%,1/10W,TP,1608		.....5	C924	2203-000405	C-CER,CHIP;0.18nF,5%,50V,COG,TP,1608	
.....5	R975	2007-000084	R-CHIP;4.7Kohm,5%,1/10W,TP,1608		.....5	C952	2203-000440	C-CER,CHIP;1nF,10%,50V,X7R,1608	
.....5	R974	2007-000084	R-CHIP;4.7Kohm,5%,1/10W,TP,1608		.....5	C951	2203-000440	C-CER,CHIP;1nF,10%,50V,X7R,1608	
.....5	R998	2007-000084	R-CHIP;4.7Kohm,5%,1/10W,TP,1608		.....5	C904	2203-000440	C-CER,CHIP;1nF,10%,50V,X7R,1608	
.....5	R993	2007-000084	R-CHIP;4.7Kohm,5%,1/10W,TP,1608		.....5	C903	2203-000440	C-CER,CHIP;1nF,10%,50V,X7R,1608	
.....5	R991	2007-000084	R-CHIP;4.7Kohm,5%,1/10W,TP,1608		.....5	C920	2203-000815	C-CER,CHIP;0.033nF,5%,50V,COG,TP,1608	
.....5	R982	2007-000084	R-CHIP;4.7Kohm,5%,1/10W,TP,1608		.....5	C919	2203-000815	C-CER,CHIP;0.033nF,5%,50V,COG,TP,1608	
.....5	R973	2007-000084	R-CHIP;4.7Kohm,5%,1/10W,TP,1608		.....5	C948	2203-001607	C-CER,CHIP;0.22nF,5%,50V,NPO,-1608	
.....5	R918	2007-000084	R-CHIP;4.7Kohm,5%,1/10W,TP,1608		.....5	C955	2203-001652	C-CER,CHIP;470nF,+80-20%,16V,Y5V,1608	
.....5	R917	2007-000084	R-CHIP;4.7Kohm,5%,1/10W,TP,1608		.....5	C954	2402-000176	C-AL,SMD;10uF,20%,16V,GP,TP,4.3x4.3x5.4	
.....5	R913	2007-000084	R-CHIP;4.7Kohm,5%,1/10W,TP,1608		.....5	C905	2402-000176	C-AL,SMD;10uF,20%,16V,GP,TP,4.3x4.3x5.4	
.....5	R906	2007-000084	R-CHIP;4.7Kohm,5%,1/10W,TP,1608		.....5	C909	2402-001086	C-AL,SMD;100uF,20%,16V,WT,TP,6.6X6.6X5.3	
.....5	R905	2007-000084	R-CHIP;4.7Kohm,5%,1/10W,TP,1608		.....5	C935	2402-001155	C-AL,SMD;47uF,20%,16V,WT,TP,6.3X5.2MM	
.....5	R972	2007-000084	R-CHIP;4.7Kohm,5%,1/10W,TP,1608		.....5	C940	2402-001155	C-AL,SMD;47uF,20%,16V,WT,TP,6.3X5.2MM	
.....5	R971	2007-000084	R-CHIP;4.7Kohm,5%,1/10W,TP,1608		.....5	C943	2402-001155	C-AL,SMD;47uF,20%,16V,WT,TP,6.3X5.2MM	
.....5	R970	2007-000084	R-CHIP;4.7Kohm,5%,1/10W,TP,1608		.....5	C945	2402-001155	C-AL,SMD;47uF,20%,16V,WT,TP,6.3X5.2MM	
.....5	R933	2007-000084	R-CHIP;4.7Kohm,5%,1/10W,TP,1608		.....5	C910	2402-001155	C-AL,SMD;47uF,20%,16V,WT,TP,6.3X5.2MM	
.....5	R932	2007-000084	R-CHIP;4.7Kohm,5%,1/10W,TP,1608		.....5	C912	2402-001155	C-AL,SMD;47uF,20%,16V,WT,TP,6.3X5.2MM	
.....5	R934	2007-000084	R-CHIP;4.7Kohm,5%,1/10W,TP,1608		.....5	C914	2402-001155	C-AL,SMD;47uF,20%,16V,WT,TP,6.3X5.2MM	
.....5	R979	2007-000084	R-CHIP;4.7Kohm,5%,1/10W,TP,1608		.....5	C916	2402-001155	C-AL,SMD;47uF,20%,16V,WT,TP,6.3X5.2MM	
.....5	R961	2007-000090	R-CHIP;10Kohm,5%,1/10W,TP,1608		.....5	T0568	3301-001324	BEAD-SMD;15ohm,2012,600mA,TP,,,0.1ohm	S.N.A
.....5	R943	2007-000090	R-CHIP;10Kohm,5%,1/10W,TP,1608		.....5	T0568	3301-001324	BEAD-SMD;15ohm,2012,600mA,TP,,,0.1ohm	S.N.A
.....5	R942	2007-000090	R-CHIP;10Kohm,5%,1/10W,TP,1608		.....5	T0568	3301-001324	BEAD-SMD;15ohm,2012,600mA,TP,,,0.1ohm	S.N.A
.....5	R968	2007-000090	R-CHIP;10Kohm,5%,1/10W,TP,1608		.....5	T0568	3301-001324	BEAD-SMD;15ohm,2012,600mA,TP,,,0.1ohm	S.N.A
.....5	R988	2007-000090	R-CHIP;10Kohm,5%,1/10W,TP,1608		.....5	T0568	3301-001324	BEAD-SMD;15ohm,2012,600mA,TP,,,0.1ohm	S.N.A
.....5	R995	2007-000090	R-CHIP;10Kohm,5%,1/10W,TP,1608		.....5	T0568	3301-001324	BEAD-SMD;15ohm,2012,600mA,TP,,,0.1ohm	S.N.A
.....5	R909	2007-000090	R-CHIP;10Kohm,5%,1/10W,TP,1608		.....5	PCB	BP41-00077A	PCB-MICOM;SVP-43W6,FR-4,4L,A,1.6T,100*95	S.N.A
.....5	R914	2007-000090	R-CHIP;10Kohm,5%,1/10W,TP,1608		.....5	R935	2007-000493	R-CHIP;2.2Kohm,5%,1/8W,TP,2012	
.....5	R915	2007-000090	R-CHIP;10Kohm,5%,1/10W,TP,1608		.....5	R899	2007-000094	R-CHIP;22Kohm,5%,1/10W,TP,1608	
.....5	R916	2007-000090	R-CHIP;10Kohm,5%,1/10W,TP,1608		.....5	R898	2007-000094	R-CHIP;22Kohm,5%,1/10W,TP,1608	
.....5	R930	2007-000090	R-CHIP;10Kohm,5%,1/10W,TP,1608		.....5	R983	2007-000119	R-CHIP;560ohm,5%,1/10W,TP,1608	
.....5	R936	2007-000090	R-CHIP;10Kohm,5%,1/10W,TP,1608		.....5	R989	2007-000086	R-CHIP;5.6Kohm,5%,1/10W,TP,1608	
.....5	R987	2007-000090	R-CHIP;10Kohm,5%,1/10W,TP,1608		.....5	R912	2007-000512	R-CHIP;2.4Kohm,5%,1/10W,TP,1608	
.....5	R965	2007-000097	R-CHIP;47Kohm,5%,1/10W,TP,1608		.....5	R984	2007-001157	R-CHIP;750ohm,5%,1/10W,TP,1608	
.....5	R964	2007-000097	R-CHIP;47Kohm,5%,1/10W,TP,1608		.....5	R903	2007-000082	R-CHIP;3.3Kohm,5%,1/10W,TP,1608	
.....5	R953	2007-000123	R-CHIP;1.5Kohm,5%,1/10W,TP,1608		.....5	T0052	2703-000398	INDUCTOR-SMD;10uH,10%,3225	
.....5	R954	2007-000123	R-CHIP;1.5Kohm,5%,1/10W,TP,1608		.....5	0202-001375	SOLDER-CREAM;RMA-20-21,SE6,-,Sn63/Pb36	S.N.A	
.....5	R904	2007-000124	R-CHIP;2.2Kohm,5%,1/10W,TP,1608		.....4	M0018	BP97-00859A	ASSY MICOM;P59A,M27V160,T-CHMNUS_1012,0	S.N.A
.....5	R931	2007-000124	R-CHIP;2.2Kohm,5%,1/10W,TP,1608		.....5	IC902	1102-001126	IC-EPROM;M27V160,2MX8BIT,DIP,42P,570MIL,	
.....5	R967	2007-000129	R-CHIP;27Kohm,5%,1/10W,TP,1608		.....3	T0238	BP97-00556A	ASSY AUTO;HCP4252WX/XAA,P59A	S.N.A
.....5	R966	2007-000129	R-CHIP;27Kohm,5%,1/10W,TP,1608		.....4	D606	0402-000546	DIODE-RECTIFIER;TVR10G,400V,1.0A,DO-41,T	
.....5	R901	2007-000309	R-CHIP;10ohm,5%,1/10W,TP,1608		.....4	DZ605	0403-000167	DIODE-ZENER;1N4758A,5%,1000MW,DO-41,TP	
.....5	R902	2007-000309	R-CHIP;10ohm,5%,1/10W,TP,1608		.....4	DZ801	0403-000700	DIODE-ZENER;TZP33A,5%,1000MW,DO-41,TP	
.....5	R951	2007-000643	R-CHIP;270ohm,5%,1/10W,TP,1608		.....4	C694	2301-000192	C-FILM,LEAD-PEF;1nF,5%,50V,TP,5.3x10mm,5	
.....5	R997	2007-000857	R-CHIP;4.3Kohm,1%,1/10W,TP,1608		.....4	C695	2301-000192	C-FILM,LEAD-PEF;1nF,5%,50V,TP,5.3x10mm,5	
.....5	C950	2007-001167	R-CHIP;75ohm,5%,1/10W,TP,1608		.....4	FC58	2301-001664	C-FILM,LEAD-OTHER;100nF,3%,50V,TP,20x16x	
.....5	C930	2203-000189	C-CER,CHIP;100nF,+80-20%,25V,Y5V,TP,1608		.....4	FC28	2305-000411	C-FILM,LEAD-PEF;470nF,5%,50V,TP,7.3x4.8x	
.....5	C929	2203-000189	C-CER,CHIP;100nF,+80-20%,25V,Y5V,TP,1608		.....4	C682	2305-000704	C-FILM,LEAD-PEF;100nF,5%,250V,TP,16.5x10	
.....5	C928	2203-000189	C-CER,CHIP;100nF,+80-20%,25V,Y5V,TP,1608		.....4	C687	2305-000704	C-FILM,LEAD-PEF;100nF,5%,250V,TP,16.5x10	
.....5	C927	2203-000189	C-CER,CHIP;100nF,+80-20%,25V,Y5V,TP,1608		.....4	C689	2305-000704	C-FILM,LEAD-PEF;100nF,5%,250V,TP,16.5x10	
.....5	C931	2203-000189	C-CER,CHIP;100nF,+80-20%,25V,Y5V,TP,1608		.....4	FC59	2305-000704	C-FILM,LEAD-PEF;100nF,5%,250V,TP,16.5x10	
.....5	C932	2203-000189	C-CER,CHIP;100nF,+80-20%,25V,Y5V,TP,1608		.....4	C104	2401-000039	C-AL;1000uF,20%,16V,GP,TP,10x16,5	
.....5	C947	2203-000189	C-CER,CHIP;100nF,+80-20%,25V,Y5V,TP,1608		.....4	C686	2401-000192	C-AL;1000uF,20%,50V,GP,TP,16x25,7.5	
.....5	C953	2203-000189	C-CER,CHIP;100nF,+80-20%,25V,Y5V,TP,1608		.....4	C688	2401-000192	C-AL;1000uF,20%,50V,GP,TP,16x25,7.5	
.....5	C926	2203-000189	C-CER,CHIP;100nF,+80-20%,25V,Y5V,TP,1608		.....4	L705	2701-001030	INDUCTOR-AXIAL;43UH,10%,4514	
.....5	C901	2203-000189	C-CER,CHIP;100nF,+80-20%,25V,Y5V,TP,1608		.....4	L706	2701-001030	INDUCTOR-AXIAL;43UH,10%,4514	
.....5	C902	2203-000189	C-CER,CHIP;100nF,+80-20%,25V,Y5V,TP,1608		.....4	PL11	2701-001030	INDUCTOR-AXIAL;43UH,10%,4514	
.....5	C908	2203-000189	C-CER,CHIP;100nF,+80-20%,25V,Y5V,TP,1608		.....4	SL01	2701-001030	INDUCTOR-AXIAL;43UH,10%,4514	
.....5	C918	2203-000189	C-CER,CHIP;100nF,+80-20%,25V,Y5V,TP,1608		.....4	SL02	2701-001030	INDUCTOR-AXIAL;43UH,10%,4514	
.....5	C925	2203-000189	C-CER,CHIP;100nF,+80-20%,25V,Y5V,TP,1608		.....4	L101	2701-001040	INDUCTOR-AXIAL;10UH,10%,4514	
.....5	C923	2203-000189	C-CER,CHIP;100nF,+80-20%,25V,Y5V,TP,1608		.....4	T0174	BP97-00625A	ASSY SMD;HCP4252WX/XAA,P59A	S.N.A
.....5	C922	2203-000189	C-CER,CHIP;100nF,+80-20%,25V,Y5V,TP,1608		.....5	CD01	0401-000133	DIODE-SWITCHING;RLS4148,75V,150MA,LL-34,	
.....5	C921	2203-000189	C-CER,CHIP;100nF,+80-20%,25V,Y5V,TP,1608		.....5	D104	0401-000133	DIODE-SWITCHING;RLS4148,75V,150MA,LL-34,	
.....5	C939	2203-000257	C-CER,CHIP;10nF,10%,50V,X7R,1608		.....5	D105	0401-000133	DIODE-SWITCHING;RLS4148,75V,150MA,LL-34,	
.....5	C938	2203-000257	C-CER,CHIP;10nF,10%,50V,X7R,1608		.....5	D601	0401-000133	DIODE-SWITCHING;RLS4148,75V,150MA,LL-34,	
.....5	C937	2203-000257	C-CER,CHIP;10nF,10%,50V,X7R,1608		.....5	D604	0401-000133	DIODE-SWITCHING;RLS4148,75V,150MA,LL-34,	
.....5	C941	2203-000257	C-CER,CHIP;10nF,10%,50V,X7R,1608		.....5	D925	0401-000133	DIODE-SWITCHING;RLS4148,75V,150MA,LL-34,	

Electrical Part List

Level	Loc.No.	Code No.	Description;Specification	Remark	Level	Loc.No.	Code No.	Description;Specification	Remark
.....	FD01	0401-000133	DIODE-SWITCHING;RLS4148,75V,150MA,LL-34,		.....	ER90	2007-000070	R-CHIP;0ohm,5%,1/10W,TP,1608	
.....	FD02	0401-000133	DIODE-SWITCHING;RLS4148,75V,150MA,LL-34,		.....	FR07	2007-000070	R-CHIP;0ohm,5%,1/10W,TP,1608	
.....	FD07	0401-000133	DIODE-SWITCHING;RLS4148,75V,150MA,LL-34,		.....	FR35	2007-000070	R-CHIP;0ohm,5%,1/10W,TP,1608	
.....	FD08	0401-000133	DIODE-SWITCHING;RLS4148,75V,150MA,LL-34,		.....	FR76	2007-000070	R-CHIP;0ohm,5%,1/10W,TP,1608	
.....	FD09	0401-000133	DIODE-SWITCHING;RLS4148,75V,150MA,LL-34,		.....	FR96	2007-000070	R-CHIP;0ohm,5%,1/10W,TP,1608	
.....	FD10	0401-000133	DIODE-SWITCHING;RLS4148,75V,150MA,LL-34,		.....	R1020	2007-000070	R-CHIP;0ohm,5%,1/10W,TP,1608	
.....	FD13	0401-000133	DIODE-SWITCHING;RLS4148,75V,150MA,LL-34,		.....	R1047	2007-000070	R-CHIP;0ohm,5%,1/10W,TP,1608	
.....	FD14	0401-000133	DIODE-SWITCHING;RLS4148,75V,150MA,LL-34,		.....	R1080	2007-000070	R-CHIP;0ohm,5%,1/10W,TP,1608	
.....	FD15	0401-000133	DIODE-SWITCHING;RLS4148,75V,150MA,LL-34,		.....	R1098	2007-000070	R-CHIP;0ohm,5%,1/10W,TP,1608	
.....	FD16	0401-000133	DIODE-SWITCHING;RLS4148,75V,150MA,LL-34,		.....	R119	2007-000070	R-CHIP;0ohm,5%,1/10W,TP,1608	
.....	FD17	0401-000133	DIODE-SWITCHING;RLS4148,75V,150MA,LL-34,		.....	R129	2007-000070	R-CHIP;0ohm,5%,1/10W,TP,1608	
.....	FD18	0401-000133	DIODE-SWITCHING;RLS4148,75V,150MA,LL-34,		.....	R191	2007-000070	R-CHIP;0ohm,5%,1/10W,TP,1608	
.....	FD19	0401-000133	DIODE-SWITCHING;RLS4148,75V,150MA,LL-34,		.....	R195	2007-000070	R-CHIP;0ohm,5%,1/10W,TP,1608	
.....	DZ102	0403-000314	DIODE-ZENER;RLZJ9.1B,8.8-9.3V,500MW,LL-3		.....	R196	2007-000070	R-CHIP;0ohm,5%,1/10W,TP,1608	
.....	DZ103	0403-000314	DIODE-ZENER;RLZJ9.1B,8.8-9.3V,500MW,LL-3		.....	R620	2007-000070	R-CHIP;0ohm,5%,1/10W,TP,1608	
.....	DZ104	0403-000314	DIODE-ZENER;RLZJ9.1B,8.8-9.3V,500MW,LL-3		.....	R621	2007-000070	R-CHIP;0ohm,5%,1/10W,TP,1608	
.....	DZ105	0403-000314	DIODE-ZENER;RLZJ9.1B,8.8-9.3V,500MW,LL-3		.....	R622	2007-000070	R-CHIP;0ohm,5%,1/10W,TP,1608	
.....	DZ106	0403-000314	DIODE-ZENER;RLZJ9.1B,8.8-9.3V,500MW,LL-3		.....	R644	2007-000070	R-CHIP;0ohm,5%,1/10W,TP,1608	
.....	DZ107	0403-000314	DIODE-ZENER;RLZJ9.1B,8.8-9.3V,500MW,LL-3		.....	R645	2007-000070	R-CHIP;0ohm,5%,1/10W,TP,1608	
.....	DZ108	0403-000314	DIODE-ZENER;RLZJ9.1B,8.8-9.3V,500MW,LL-3		.....	R650A	2007-000070	R-CHIP;0ohm,5%,1/10W,TP,1608	
.....	DZ109	0403-000314	DIODE-ZENER;RLZJ9.1B,8.8-9.3V,500MW,LL-3		.....	R651A	2007-000070	R-CHIP;0ohm,5%,1/10W,TP,1608	
.....	DZ110	0403-000314	DIODE-ZENER;RLZJ9.1B,8.8-9.3V,500MW,LL-3		.....	R706	2007-000070	R-CHIP;0ohm,5%,1/10W,TP,1608	
.....	DZ111	0403-000314	DIODE-ZENER;RLZJ9.1B,8.8-9.3V,500MW,LL-3		.....	R708	2007-000070	R-CHIP;0ohm,5%,1/10W,TP,1608	
.....	DZ112	0403-000314	DIODE-ZENER;RLZJ9.1B,8.8-9.3V,500MW,LL-3		.....	R712	2007-000070	R-CHIP;0ohm,5%,1/10W,TP,1608	
.....	DZ113	0403-000314	DIODE-ZENER;RLZJ9.1B,8.8-9.3V,500MW,LL-3		.....	R729	2007-000070	R-CHIP;0ohm,5%,1/10W,TP,1608	
.....	DZ701	0403-000314	DIODE-ZENER;RLZJ9.1B,8.8-9.3V,500MW,LL-3		.....	R794	2007-000070	R-CHIP;0ohm,5%,1/10W,TP,1608	
.....	DZ704	0403-000314	DIODE-ZENER;RLZJ9.1B,8.8-9.3V,500MW,LL-3		.....	R795	2007-000070	R-CHIP;0ohm,5%,1/10W,TP,1608	
.....	DZ705	0403-000314	DIODE-ZENER;RLZJ9.1B,8.8-9.3V,500MW,LL-3		.....	R967	2007-000070	R-CHIP;0ohm,5%,1/10W,TP,1608	
.....	DZ706	0403-000314	DIODE-ZENER;RLZJ9.1B,8.8-9.3V,500MW,LL-3		.....	R994	2007-000070	R-CHIP;0ohm,5%,1/10W,TP,1608	
.....	DZ707	0403-000314	DIODE-ZENER;RLZJ9.1B,8.8-9.3V,500MW,LL-3		.....	R995	2007-000070	R-CHIP;0ohm,5%,1/10W,TP,1608	
.....	C730	0403-001016	DIODE-ZENER;RLZ6.2B,5.96-6.27V,500mW,LL-		.....	SR09	2007-000070	R-CHIP;0ohm,5%,1/10W,TP,1608	
.....	DZ601	0403-001016	DIODE-ZENER;RLZ6.2B,5.96-6.27V,500mW,LL-		.....	SR22	2007-000070	R-CHIP;0ohm,5%,1/10W,TP,1608	
.....	DZ603	0403-001016	DIODE-ZENER;RLZ6.2B,5.96-6.27V,500mW,LL-		.....	SR76	2007-000070	R-CHIP;0ohm,5%,1/10W,TP,1608	
.....	DZ702	0403-001016	DIODE-ZENER;RLZ6.2B,5.96-6.27V,500mW,LL-		.....	SR77	2007-000070	R-CHIP;0ohm,5%,1/10W,TP,1608	
.....	DZ703	0403-001016	DIODE-ZENER;RLZ6.2B,5.96-6.27V,500mW,LL-		.....	SR78	2007-000070	R-CHIP;0ohm,5%,1/10W,TP,1608	
.....	DZ908	0403-001016	DIODE-ZENER;RLZ6.2B,5.96-6.27V,500mW,LL-		.....	SR79	2007-000070	R-CHIP;0ohm,5%,1/10W,TP,1608	
.....	DZ602	0403-001117	DIODE-ZENER;RLZ12B,11.44-12.03V,500MW,LL		.....	SR80	2007-000070	R-CHIP;0ohm,5%,1/10W,TP,1608	
.....	DZ604	0403-001117	DIODE-ZENER;RLZ12B,11.44-12.03V,500MW,LL		.....	SR91	2007-000070	R-CHIP;0ohm,5%,1/10W,TP,1608	
.....	FD03	0403-001117	DIODE-ZENER;RLZ12B,11.44-12.03V,500MW,LL		.....	SR92	2007-000070	R-CHIP;0ohm,5%,1/10W,TP,1608	
.....	FD04	0403-001117	DIODE-ZENER;RLZ12B,11.44-12.03V,500MW,LL		.....	SR93	2007-000070	R-CHIP;0ohm,5%,1/10W,TP,1608	
.....	FD05	0403-001117	DIODE-ZENER;RLZ12B,11.44-12.03V,500MW,LL		.....	SR95	2007-000070	R-CHIP;0ohm,5%,1/10W,TP,1608	
.....	FD06	0403-001117	DIODE-ZENER;RLZ12B,11.44-12.03V,500MW,LL		.....	R701	2007-000073	R-CHIP;91ohm,5%,1/10W,TP,1608	
.....	FD11	0403-001117	DIODE-ZENER;RLZ12B,11.44-12.03V,500MW,LL		.....	R702	2007-000073	R-CHIP;91ohm,5%,1/10W,TP,1608	
.....	FQ07	0501-000727	TR-SMALL SIGNAL;BC848C,NPN,310mW,SOT-23,		.....	CR10	2007-000074	R-CHIP;100ohm,5%,1/10W,TP,1608	
.....	IC104	0801-000662	IC-CMOS LOGIC;74HC123,MULTIVIBATOR,SOP,1		.....	CR14	2007-000074	R-CHIP;100ohm,5%,1/10W,TP,1608	
.....	IC106	1001-001082	IC-VIDEO SWITCH;BA7657F,-SOP,24P,300MIL		.....	CR21	2007-000074	R-CHIP;100ohm,5%,1/10W,TP,1608	
.....	IC106	1001-001177	IC-VIDEO SWITCH;TEA6425D,VIDEO SWITCH,S		.....	CR25	2007-000074	R-CHIP;100ohm,5%,1/10W,TP,1608	
.....	IC106	1001-001177	IC-VIDEO SWITCH;TEA6425D,VIDEO SWITCH,S		.....	CR38	2007-000074	R-CHIP;100ohm,5%,1/10W,TP,1608	
.....	IC106	1001-001177	IC-VIDEO SWITCH;TEA6425D,VIDEO SWITCH,S		.....	CR39	2007-000074	R-CHIP;100ohm,5%,1/10W,TP,1608	
.....	IC605	1001-001178	IC-AUDIO SWITCH;TEA6422D,AUDIO SWITCH,S		.....	CR46	2007-000074	R-CHIP;100ohm,5%,1/10W,TP,1608	
.....	IC06	1203-001211	IC-VOL. DETECTOR;7027,SOT-89,3P,-,PLASTI		.....	CR49	2007-000074	R-CHIP;100ohm,5%,1/10W,TP,1608	
.....	T0087	1203-001419	IC-POSIFIXED REG.;4931,TO-252,3P,6.6x10		.....	CR57	2007-000074	R-CHIP;100ohm,5%,1/10W,TP,1608	
.....	IC102	1203-001824	IC-VOL. DETECTOR;7042,SOT-89,3P,-,PLASTI		.....	CR60	2007-000074	R-CHIP;100ohm,5%,1/10W,TP,1608	
.....	IC920	1203-001824	IC-VOL. DETECTOR;7042,SOT-89,3P,-,PLASTI		.....	ER01	2007-000074	R-CHIP;100ohm,5%,1/10W,TP,1608	
.....	T0087	1203-002186	IC-POSIFIXED REG.;18,DPAK,3P,240MIL,PLA		.....	ER15	2007-000074	R-CHIP;100ohm,5%,1/10W,TP,1608	
.....	T0087	1203-002302	IC-POSIFIXED REG.;78RM33D,D-PAK,3P,-,PL		.....	ER16	2007-000074	R-CHIP;100ohm,5%,1/10W,TP,1608	
.....	IC012	1203-002470	IC-POSIFIXED REG.;FAN1616AS25X,SOT-223		.....	ER20	2007-000074	R-CHIP;100ohm,5%,1/10W,TP,1608	
.....	IC02	1204-001814	IC-SELECTOR;CXA2151Q,QFP,48P,144MIL,PLAS		.....	ER82	2007-000074	R-CHIP;100ohm,5%,1/10W,TP,1608	
.....	IC117	1204-001935	IC-SEPARATOR;UPD64083GF,QFP,100P,14X20MM		.....	ER83	2007-000074	R-CHIP;100ohm,5%,1/10W,TP,1608	
.....	IC01A	1204-001938	IC-DECODER;VSP9407B-B11,MQFP,80P,14X14MM		.....	ER84	2007-000074	R-CHIP;100ohm,5%,1/10W,TP,1608	
.....	IC118	1204-001989	IC-VIDEO PROCESS;CXA2165Q,QFP,64P,20X14MM		.....	FR01	2007-000074	R-CHIP;100ohm,5%,1/10W,TP,1608	
.....	IC602	1204-002179	IC-SOUND PROCESSOR;MSP4440G_QA_C12_500,P		.....	FR02	2007-000074	R-CHIP;100ohm,5%,1/10W,TP,1608	
.....	FR57	2007-000052	R-CHIP;10Kohm,1%,1/10W,TP,1608		.....	FR16	2007-000074	R-CHIP;100ohm,5%,1/10W,TP,1608	
.....	FR78	2007-000052	R-CHIP;10Kohm,1%,1/10W,TP,1608		.....	FR17	2007-000074	R-CHIP;100ohm,5%,1/10W,TP,1608	
.....	FR79	2007-000052	R-CHIP;10Kohm,1%,1/10W,TP,1608		.....	FR18	2007-000074	R-CHIP;100ohm,5%,1/10W,TP,1608	
.....	FR80	2007-000052	R-CHIP;10Kohm,1%,1/10W,TP,1608		.....	FR19	2007-000074	R-CHIP;100ohm,5%,1/10W,TP,1608	
.....	SR08	2007-000052	R-CHIP;10Kohm,1%,1/10W,TP,1608		.....	FR20	2007-000074	R-CHIP;100ohm,5%,1/10W,TP,1608	
.....	R812	2007-000066	R-CHIP;20Kohm,1%,1/10W,TP,1608		.....	FR21	2007-000074	R-CHIP;100ohm,5%,1/10W,TP,1608	
.....	CR88	2007-000070	R-CHIP;0ohm,5%,1/10W,TP,1608		.....	FR31	2007-000074	R-CHIP;100ohm,5%,1/10W,TP,1608	
.....	ER04	2007-000070	R-CHIP;0ohm,5%,1/10W,TP,1608		.....	FR32	2007-000074	R-CHIP;100ohm,5%,1/10W,TP,1608	
.....	ER05	2007-000070	R-CHIP;0ohm,5%,1/10W,TP,1608		.....	FR33	2007-000074	R-CHIP;100ohm,5%,1/10W,TP,1608	
.....	ER06	2007-000070	R-CHIP;0ohm,5%,1/10W,TP,1608		.....	FR34	2007-000074	R-CHIP;100ohm,5%,1/10W,TP,1608	
.....	ER17	2007-000070	R-CHIP;0ohm,5%,1/10W,TP,1608		.....	FR37	2007-000074	R-CHIP;100ohm,5%,1/10W,TP,1608	
.....	ER18	2007-000070	R-CHIP;0ohm,5%,1/10W,TP,1608		.....	FR38	2007-000074	R-CHIP;100ohm,5%,1/10W,TP,1608	
.....	ER19	2007-000070	R-CHIP;0ohm,5%,1/10W,TP,1608		.....	FR39	2007-000074	R-CHIP;100ohm,5%,1/10W,TP,1608	
.....	ER29	2007-000070	R-CHIP;0ohm,5%,1/10W,TP,1608		.....	FR53	2007-000074	R-CHIP;100ohm,5%,1/10W,TP,1608	
.....	ER31	2007-000070	R-CHIP;0ohm,5%,1/10W,TP,1608		.....	FR54	2007-000074	R-CHIP;100ohm,5%,1/10W,TP,1608	











Level	Loc.No.	Code No.	Description;Specification	Remark	Level	Loc.No.	Code No.	Description;Specification	Remark
.....	C640	2402-000135	C-AL,SMD;22uF,20%,16V,GP,TP,5.3x5.3x5.4		.....	T0052	2703-000274	INDUCTOR-SMD;2.2uH,10%,2012	
.....	C685	2402-000147	C-AL,SMD;33uF,20%,25V,-,TP,6.3x5.2,-		.....	T0052	2703-000274	INDUCTOR-SMD;2.2uH,10%,2012	
.....	C113	2402-000170	C-AL,SMD;1uF,20%,50V,GP,TP,4.3x4.3x5.4,		.....	T0052	2703-000274	INDUCTOR-SMD;2.2uH,10%,2012	
.....	C149	2402-000170	C-AL,SMD;1uF,20%,50V,GP,TP,4.3x4.3x5.4,		.....	T0052	2703-000274	INDUCTOR-SMD;2.2uH,10%,2012	
.....	CC12	2402-000170	C-AL,SMD;1uF,20%,50V,GP,TP,4.3x4.3x5.4,		.....	T0052	2703-000274	INDUCTOR-SMD;2.2uH,10%,2012	
.....	CC18	2402-000170	C-AL,SMD;1uF,20%,50V,GP,TP,4.3x4.3x5.4,		.....	T0052	2703-000389	INDUCTOR-SMD;5.6uH,5%,3225	
.....	FC09	2402-000170	C-AL,SMD;1uF,20%,50V,GP,TP,4.3x4.3x5.4,		.....	T0052	2703-000392	INDUCTOR-SMD;10uH,5%,4532	
.....	FC13	2402-000173	C-AL,SMD;4.7uF,20%,35V,GP,TP,4.3x4.3x5.4		.....	T0052	2703-000392	INDUCTOR-SMD;10uH,5%,4532	
.....	FC29	2402-000173	C-AL,SMD;4.7uF,20%,35V,GP,TP,4.3x4.3x5.4		.....	T0052	2703-000392	INDUCTOR-SMD;10uH,5%,4532	
.....	FC60	2402-000173	C-AL,SMD;4.7uF,20%,35V,GP,TP,4.3x4.3x5.4		.....	T0052	2703-000392	INDUCTOR-SMD;10uH,5%,4532	
.....	PC18	2402-000173	C-AL,SMD;4.7uF,20%,35V,GP,TP,4.3x4.3x5.4		.....	T0052	2703-000392	INDUCTOR-SMD;10uH,5%,4532	
.....	CC16	2402-000176	C-AL,SMD;10uF,20%,16V,GP,TP,4.3x4.3x5.4		.....	T0052	2703-000398	INDUCTOR-SMD;10uH,10%,3225	
.....	CC23	2402-000176	C-AL,SMD;10uF,20%,16V,GP,TP,4.3x4.3x5.4		.....	T0052	2703-000398	INDUCTOR-SMD;10uH,10%,3225	
.....	CC25	2402-000176	C-AL,SMD;10uF,20%,16V,GP,TP,4.3x4.3x5.4		.....	T0052	2703-000398	INDUCTOR-SMD;10uH,10%,3225	
.....	FC06	2402-000176	C-AL,SMD;10uF,20%,16V,GP,TP,4.3x4.3x5.4		.....	T0052	2703-000398	INDUCTOR-SMD;10uH,10%,3225	
.....	FC65	2402-000176	C-AL,SMD;10uF,20%,16V,GP,TP,4.3x4.3x5.4		.....	T0052	2703-000398	INDUCTOR-SMD;10uH,10%,3225	
.....	PC09	2402-000176	C-AL,SMD;10uF,20%,16V,GP,TP,4.3x4.3x5.4		.....	T0052	2703-000398	INDUCTOR-SMD;10uH,10%,3225	
.....	PC10	2402-000176	C-AL,SMD;10uF,20%,16V,GP,TP,4.3x4.3x5.4		.....	T0052	2703-000398	INDUCTOR-SMD;10uH,10%,3225	
.....	PC12	2402-000176	C-AL,SMD;10uF,20%,16V,GP,TP,4.3x4.3x5.4		.....	T0052	2703-000398	INDUCTOR-SMD;10uH,10%,3225	
.....	C608	2402-000179	C-AL,SMD;47uF,20%,16V,GP,TP,6.6x6.6x5.4		.....	T0052	2703-000398	INDUCTOR-SMD;10uH,10%,3225	
.....	C720	2402-000179	C-AL,SMD;47uF,20%,16V,GP,TP,6.6x6.6x5.4		.....	T0052	2703-000398	INDUCTOR-SMD;10uH,10%,3225	
.....	CC02	2402-000179	C-AL,SMD;47uF,20%,16V,GP,TP,6.6x6.6x5.4		.....	T0052	2703-000398	INDUCTOR-SMD;10uH,10%,3225	
.....	CC11	2402-000179	C-AL,SMD;47uF,20%,16V,GP,TP,6.6x6.6x5.4		.....	T0052	2703-000398	INDUCTOR-SMD;10uH,10%,3225	
.....	CC13	2402-000179	C-AL,SMD;47uF,20%,16V,GP,TP,6.6x6.6x5.4		.....	T0052	2703-000398	INDUCTOR-SMD;10uH,10%,3225	
.....	CC40	2402-000179	C-AL,SMD;47uF,20%,16V,GP,TP,6.6x6.6x5.4		.....	T0052	2703-000398	INDUCTOR-SMD;10uH,10%,3225	
.....	CC46	2402-000179	C-AL,SMD;47uF,20%,16V,GP,TP,6.6x6.6x5.4		.....	T0052	2703-000398	INDUCTOR-SMD;10uH,10%,3225	
.....	CC47	2402-000179	C-AL,SMD;47uF,20%,16V,GP,TP,6.6x6.6x5.4		.....	T0052	2703-000398	INDUCTOR-SMD;10uH,10%,3225	
.....	PC01	2402-000179	C-AL,SMD;47uF,20%,16V,GP,TP,6.6x6.6x5.4		.....	T0052	2703-000398	INDUCTOR-SMD;10uH,10%,3225	
.....	PC03	2402-000179	C-AL,SMD;47uF,20%,16V,GP,TP,6.6x6.6x5.4		.....	T0052	2703-000398	INDUCTOR-SMD;10uH,10%,3225	
.....	PC06	2402-000179	C-AL,SMD;47uF,20%,16V,GP,TP,6.6x6.6x5.4		.....	T0052	2703-000398	INDUCTOR-SMD;10uH,10%,3225	
.....	PC24	2402-000179	C-AL,SMD;47uF,20%,16V,GP,TP,6.6x6.6x5.4		.....	T0052	2703-000398	INDUCTOR-SMD;10uH,10%,3225	
.....	PC32	2402-000179	C-AL,SMD;47uF,20%,16V,GP,TP,6.6x6.6x5.4		.....	T0052	2703-000398	INDUCTOR-SMD;10uH,10%,3225	
.....	SC31	2402-000179	C-AL,SMD;47uF,20%,16V,GP,TP,6.6x6.6x5.4		.....	T0052	2703-000398	INDUCTOR-SMD;10uH,10%,3225	
.....	SC34	2402-000179	C-AL,SMD;47uF,20%,16V,GP,TP,6.6x6.6x5.4		.....	T0052	2703-000398	INDUCTOR-SMD;10uH,10%,3225	
.....	SC36	2402-000179	C-AL,SMD;47uF,20%,16V,GP,TP,6.6x6.6x5.4		.....	T0052	2703-000398	INDUCTOR-SMD;10uH,10%,3225	
.....	SC38	2402-000179	C-AL,SMD;47uF,20%,16V,GP,TP,6.6x6.6x5.4		.....	T0052	2703-000398	INDUCTOR-SMD;10uH,10%,3225	
.....	SC40	2402-000179	C-AL,SMD;47uF,20%,16V,GP,TP,6.6x6.6x5.4		.....	T0052	2703-000398	INDUCTOR-SMD;10uH,10%,3225	
.....	SC42	2402-000179	C-AL,SMD;47uF,20%,16V,GP,TP,6.6x6.6x5.4		.....	T0052	2703-000398	INDUCTOR-SMD;10uH,10%,3225	
.....	SC44	2402-000179	C-AL,SMD;47uF,20%,16V,GP,TP,6.6x6.6x5.4		.....	T0052	2703-000398	INDUCTOR-SMD;10uH,10%,3225	
.....	SC47	2402-000179	C-AL,SMD;47uF,20%,16V,GP,TP,6.6x6.6x5.4		.....	T0052	2703-000398	INDUCTOR-SMD;10uH,10%,3225	
.....	FC48A	2402-001018	C-AL,SMD;470nF,20%,50V,GP,TP,4.3x4.3x5.		.....	T0052	2703-001070	INDUCTOR-SMD;100uH,10%,4532	
.....	C690	2402-001034	C-AL,SMD;22uF,20%,35V,GP,TP,6.6x6.6x5.4		.....	T0052	2703-001070	INDUCTOR-SMD;100uH,10%,4532	
.....	CC45	2402-001042	C-AL,SMD;100uF,20%,16V,GP,TP,6.6x6.6x5.4		.....	CX01	2801-003755	CRYSTAL-SMD;20MHz,30PPM,SMD,20PF,50OHM,T	
.....	FC04	2402-001042	C-AL,SMD;100uF,20%,16V,GP,TP,6.6x6.6x5.4		.....	X700	2801-003948	CRYSTAL-SMD;12MHz,30ppm,28-AAN,12pF,60oh	
.....	FC12	2402-001042	C-AL,SMD;100uF,20%,16V,GP,TP,6.6x6.6x5.4		.....	EX1	2801-004004	CRYSTAL-SMD;20.25MHz,20ppm,28-AAN,13pF,2	
.....	FC45	2402-001042	C-AL,SMD;100uF,20%,16V,GP,TP,6.6x6.6x5.4		.....	X601	2801-004300	CRYSTAL-SMD;18.432MHz,30ppm,28-ABX,13pF,	
.....	FC62	2402-001042	C-AL,SMD;100uF,20%,16V,GP,TP,6.6x6.6x5.4		.....	F105	2909-001051	FILTER-LC;6MHz,6MHz,0.8dB,TP,5dB/6MHz,30	
.....	FC63	2402-001042	C-AL,SMD;100uF,20%,16V,GP,TP,6.6x6.6x5.4		.....	F105	2909-001051	FILTER-LC;6MHz,6MHz,0.8dB,TP,5dB/6MHz,30	
.....	PC19	2402-001042	C-AL,SMD;100uF,20%,16V,GP,TP,6.6x6.6x5.4		.....	F105	2909-001051	FILTER-LC;6MHz,6MHz,0.8dB,TP,5dB/6MHz,30	
.....	PC22	2402-001042	C-AL,SMD;100uF,20%,16V,GP,TP,6.6x6.6x5.4		.....	F105	2909-001051	FILTER-LC;6MHz,6MHz,0.8dB,TP,5dB/6MHz,30	
.....	PC28	2402-001042	C-AL,SMD;100uF,20%,16V,GP,TP,6.6x6.6x5.4		.....	T0568	3301-001082	BEAD-SMD;60ohm,3225,1500mA,TP,43ohm/40MH	S.N.A
.....	PC30	2402-001042	C-AL,SMD;100uF,20%,16V,GP,TP,6.6x6.6x5.4		.....	T0568	3301-001082	BEAD-SMD;60ohm,3225,1500mA,TP,43ohm/40MH	S.N.A
.....	C102	2402-001044	C-AL,SMD;100uF,20%,25V,GP,TP,8.3X8.3X6.3		.....	T0568	3301-001082	BEAD-SMD;60ohm,3225,1500mA,TP,43ohm/40MH	S.N.A
.....	C111	2402-001070	C-AL,SMD;470uF,20%,16V,GP,TP,10x10.2,-		.....	T0568	3301-001082	BEAD-SMD;60ohm,3225,1500mA,TP,43ohm/40MH	S.N.A
.....	FC31	2402-001070	C-AL,SMD;470uF,20%,16V,GP,TP,10x10.2,-		.....	T0568	3301-001082	BEAD-SMD;60ohm,3225,1500mA,TP,43ohm/40MH	S.N.A
.....	PC07	2402-001070	C-AL,SMD;470uF,20%,16V,GP,TP,10x10.2,-		.....	T0568	3301-001082	BEAD-SMD;60ohm,3225,1500mA,TP,43ohm/40MH	S.N.A
.....	PC08	2402-001070	C-AL,SMD;470uF,20%,16V,GP,TP,10x10.2,-		.....	T0568	3301-001082	BEAD-SMD;60ohm,3225,1500mA,TP,43ohm/40MH	S.N.A
.....	C103	2402-001083	C-AL,SMD;100uF,20%,50V,GP,TP,10x10.3x10		.....	T0568	3301-001082	BEAD-SMD;60ohm,3225,1500mA,TP,43ohm/40MH	S.N.A
.....	SC11	2402-001086	C-AL,SMD;100uF,20%,16V,WT,TP,6.6x6.6x5.3		.....	T0568	3301-001082	BEAD-SMD;60ohm,3225,1500mA,TP,43ohm/40MH	S.N.A
.....	SC16	2402-001086	C-AL,SMD;100uF,20%,16V,WT,TP,6.6x6.6x5.3		.....	T0568	3301-001082	BEAD-SMD;60ohm,3225,1500mA,TP,43ohm/40MH	S.N.A
.....	SC18	2402-001086	C-AL,SMD;100uF,20%,16V,WT,TP,6.6x6.6x5.3		.....	T0568	3301-001082	BEAD-SMD;60ohm,3225,1500mA,TP,43ohm/40MH	S.N.A
.....	C642	2402-001140	C-AL,SMD;4.7UF,-,50V,GP,TP,4.3X4.3X5.3MM		.....	T0568	3301-001186	BEAD-SMD;600ohm,3216,2500mA,TP,553ohm/93	S.N.A
.....	C643	2402-001140	C-AL,SMD;4.7UF,-,50V,GP,TP,4.3X4.3X5.3MM		.....	T0568	3301-001186	BEAD-SMD;600ohm,3216,2500mA,TP,553ohm/93	S.N.A
.....	C644	2402-001140	C-AL,SMD;4.7UF,-,50V,GP,TP,4.3X4.3X5.3MM		.....	T0568	3301-001324	BEAD-SMD;15ohm,2012,600mA,TP,,,0.1ohm	S.N.A
.....	C645	2402-001140	C-AL,SMD;4.7UF,-,50V,GP,TP,4.3X4.3X5.3MM		.....	T0568	3301-001324	BEAD-SMD;15ohm,2012,600mA,TP,,,0.1ohm	S.N.A
.....	C646	2402-001140	C-AL,SMD;4.7UF,-,50V,GP,TP,4.3X4.3X5.3MM		.....	T0568	3301-001324	BEAD-SMD;15ohm,2012,600mA,TP,,,0.1ohm	S.N.A
.....	C647	2402-001140	C-AL,SMD;4.7UF,-,50V,GP,TP,4.3X4.3X5.3MM		.....	T0568	3301-001324	BEAD-SMD;15ohm,2012,600mA,TP,,,0.1ohm	S.N.A
.....	C648	2402-001140	C-AL,SMD;4.7UF,-,50V,GP,TP,4.3X4.3X5.3MM		.....	T0568	3301-001324	BEAD-SMD;15ohm,2012,600mA,TP,,,0.1ohm	S.N.A
.....	C649	2402-001140	C-AL,SMD;4.7UF,-,50V,GP,TP,4.3X4.3X5.3MM		.....	T0568	3301-001324	BEAD-SMD;15ohm,2012,600mA,TP,,,0.1ohm	S.N.A
.....	C650	2402-001140	C-AL,SMD;4.7UF,-,50V,GP,TP,4.3X4.3X5.3MM		.....	T0568	3301-001324	BEAD-SMD;15ohm,2012,600mA,TP,,,0.1ohm	S.N.A
.....	C144	2402-001145	C-AL,CHIP;47UF,20%,50V,GP,TP,6.3X7.7MM		.....	T0568	3301-001324	BEAD-SMD;15ohm,2012,600mA,TP,,,0.1ohm	S.N.A
.....	C662	2402-001145	C-AL,CHIP;47UF,20%,50V,GP,TP,6.3X7.7MM		.....	T0568	3301-001324	BEAD-SMD;15ohm,2012,600mA,TP,,,0.1ohm	S.N.A
.....	C706	2402-001145	C-AL,CHIP;47UF,20%,50V,GP,TP,6.3X7.7MM		.....	T0568	3301-001324	BEAD-SMD;15ohm,2012,600mA,TP,,,0.1ohm	S.N.A
.....	C831	2402-001145	C-AL,CHIP;47UF,20%,50V,GP,TP,6.3X7.7MM		.....	T0568	3301-001324	BEAD-SMD;15ohm,2012,600mA,TP,,,0.1ohm	S.N.A
.....	T0052	2703-000274	INDUCTOR-SMD;2.2uH,10%,2012		.....	T0568	3301-001324	BEAD-SMD;15ohm,2012,600mA,TP,,,0.1ohm	S.N.A
.....	T0052	2703-000274	INDUCTOR-SMD;2.2uH,10%,2012		.....	T0568	3301-001324	BEAD-SMD;15ohm,2012,600mA,TP,,,0.1ohm	S.N.A
.....	T0052	2703-000274	INDUCTOR-SMD;2.2uH,10%,2012		.....	T0568	3301-001324	BEAD-SMD;15ohm,2012,600mA,TP,,,0.1ohm	S.N.A

Electrical Part List

Level	Loc.No.	Code No.	Description;Specification	Remark	Level	Loc.No.	Code No.	Description;Specification	Remark
.....5	T0568	3301-001324	BEAD-SMD;15ohm,2012,600mA,TP,,0.1ohm	S.N.A	.....5	D10	0401-001056	DIODE-SWITCHING;MMBD4148SE,100V,200MA,SO	
.....5	T0010	BN27-00010A	COIL CHOKE,-NK17NS,100UH,10%,-.0.75U MA		.....5	D11	0401-001056	DIODE-SWITCHING;MMBD4148SE,100V,200MA,SO	
.....5	T0119	MD09-00137A	IC MICOM;P-PCFM-012,P-PCFM-012,32,5V,12M		.....5	D12	0401-001056	DIODE-SWITCHING;MMBD4148SE,100V,200MA,SO	
.....5	R811	2007-000131	R-CHIP;91Kohm,5%,1/10W,TP,1608		.....5	D13	0401-001056	DIODE-SWITCHING;MMBD4148SE,100V,200MA,SO	
.....5	T0077	BP41-00047B	PCB MAIN;SVP-43W6,FR-4,4L,B,1.6T,245*245	S.N.A	.....5	D14	0401-001056	DIODE-SWITCHING;MMBD4148SE,100V,200MA,SO	
.....5	C684	2402-001157	C-AL,SMD;0.33UF,20%,50V,GP,TP,4X5.2MM		.....5	IC112	1103-000129	IC-EEPROM;24C02,256x8,SOP,8P,5x4mm,4.5/5	
.....5	C683	2402-001238	C-AL,SMD;1UF,20%,50V,HR,TP,4.3X4.3X5.2MM		.....5	IC201	1205-002383	IC-RECEIVER;SI9993CT100,TQFP,100P,14x14	
.....5		0202-001375	SOLDER-CREAM;RMA-20-21L,S63,-,Sn63/Pb36.	S.N.A	.....5	DR30	2007-000070	R-CHIP;0ohm,5%,1/10W,TP,1608	
.....5	CQ03	0501-000434	TR-SMALL SIGNAL;KTC3875S-GR,NPN,150mW,SO		.....5	DR31	2007-000070	R-CHIP;0ohm,5%,1/10W,TP,1608	
.....5	CQ05	0501-000434	TR-SMALL SIGNAL;KTC3875S-GR,NPN,150mW,SO		.....5	DR32	2007-000070	R-CHIP;0ohm,5%,1/10W,TP,1608	
.....5	CQ07	0501-000434	TR-SMALL SIGNAL;KTC3875S-GR,NPN,150mW,SO		.....5	R02	2007-000070	R-CHIP;0ohm,5%,1/10W,TP,1608	
.....5	CQ10	0501-000434	TR-SMALL SIGNAL;KTC3875S-GR,NPN,150mW,SO		.....5	R04	2007-000070	R-CHIP;0ohm,5%,1/10W,TP,1608	
.....5	CQ12	0501-000434	TR-SMALL SIGNAL;KTC3875S-GR,NPN,150mW,SO		.....5	R05	2007-000070	R-CHIP;0ohm,5%,1/10W,TP,1608	
.....5	CQ15	0501-000434	TR-SMALL SIGNAL;KTC3875S-GR,NPN,150mW,SO		.....5	R06	2007-000070	R-CHIP;0ohm,5%,1/10W,TP,1608	
.....5	CQ18	0501-000434	TR-SMALL SIGNAL;KTC3875S-GR,NPN,150mW,SO		.....5	R152	2007-000070	R-CHIP;0ohm,5%,1/10W,TP,1608	
.....5	CQ20	0501-000434	TR-SMALL SIGNAL;KTC3875S-GR,NPN,150mW,SO		.....5	R45	2007-000070	R-CHIP;0ohm,5%,1/10W,TP,1608	
.....5	FQ05	0501-000434	TR-SMALL SIGNAL;KTC3875S-GR,NPN,150mW,SO		.....5	R56	2007-000070	R-CHIP;0ohm,5%,1/10W,TP,1608	
.....5	FQ06	0501-000434	TR-SMALL SIGNAL;KTC3875S-GR,NPN,150mW,SO		.....5	R57	2007-000070	R-CHIP;0ohm,5%,1/10W,TP,1608	
.....5	FQ08	0501-000434	TR-SMALL SIGNAL;KTC3875S-GR,NPN,150mW,SO		.....5	R58	2007-000070	R-CHIP;0ohm,5%,1/10W,TP,1608	
.....5	FQ09	0501-000434	TR-SMALL SIGNAL;KTC3875S-GR,NPN,150mW,SO		.....5	R601	2007-000070	R-CHIP;0ohm,5%,1/10W,TP,1608	
.....5	FQ12	0501-000434	TR-SMALL SIGNAL;KTC3875S-GR,NPN,150mW,SO		.....5	R603	2007-000070	R-CHIP;0ohm,5%,1/10W,TP,1608	
.....5	PQ01	0501-000434	TR-SMALL SIGNAL;KTC3875S-GR,NPN,150mW,SO		.....5	R606	2007-000070	R-CHIP;0ohm,5%,1/10W,TP,1608	
.....5	Q101	0501-000434	TR-SMALL SIGNAL;KTC3875S-GR,NPN,150mW,SO		.....5	R607	2007-000070	R-CHIP;0ohm,5%,1/10W,TP,1608	
.....5	Q102	0501-000434	TR-SMALL SIGNAL;KTC3875S-GR,NPN,150mW,SO		.....5	R610	2007-000070	R-CHIP;0ohm,5%,1/10W,TP,1608	
.....5	Q103	0501-000434	TR-SMALL SIGNAL;KTC3875S-GR,NPN,150mW,SO		.....5	R64	2007-000070	R-CHIP;0ohm,5%,1/10W,TP,1608	
.....5	Q104	0501-000434	TR-SMALL SIGNAL;KTC3875S-GR,NPN,150mW,SO		.....5	R69	2007-000070	R-CHIP;0ohm,5%,1/10W,TP,1608	
.....5	Q105	0501-000434	TR-SMALL SIGNAL;KTC3875S-GR,NPN,150mW,SO		.....5	R70	2007-000070	R-CHIP;0ohm,5%,1/10W,TP,1608	
.....5	Q106	0501-000434	TR-SMALL SIGNAL;KTC3875S-GR,NPN,150mW,SO		.....5	R80	2007-000070	R-CHIP;0ohm,5%,1/10W,TP,1608	
.....5	Q107	0501-000434	TR-SMALL SIGNAL;KTC3875S-GR,NPN,150mW,SO		.....5	R803	2007-000070	R-CHIP;0ohm,5%,1/10W,TP,1608	
.....5	Q108	0501-000434	TR-SMALL SIGNAL;KTC3875S-GR,NPN,150mW,SO		.....5	R804	2007-000070	R-CHIP;0ohm,5%,1/10W,TP,1608	
.....5	Q109	0501-000434	TR-SMALL SIGNAL;KTC3875S-GR,NPN,150mW,SO		.....5	R900	2007-000070	R-CHIP;0ohm,5%,1/10W,TP,1608	
.....5	Q112	0501-000434	TR-SMALL SIGNAL;KTC3875S-GR,NPN,150mW,SO		.....5	R901	2007-000070	R-CHIP;0ohm,5%,1/10W,TP,1608	
.....5	Q113	0501-000434	TR-SMALL SIGNAL;KTC3875S-GR,NPN,150mW,SO		.....5	SR100	2007-000070	R-CHIP;0ohm,5%,1/10W,TP,1608	
.....5	Q17	0501-000434	TR-SMALL SIGNAL;KTC3875S-GR,NPN,150mW,SO		.....5	SR101	2007-000070	R-CHIP;0ohm,5%,1/10W,TP,1608	
.....5	Q18	0501-000434	TR-SMALL SIGNAL;KTC3875S-GR,NPN,150mW,SO		.....5	SR102	2007-000070	R-CHIP;0ohm,5%,1/10W,TP,1608	
.....5	Q19	0501-000434	TR-SMALL SIGNAL;KTC3875S-GR,NPN,150mW,SO		.....5	SWR14	2007-000070	R-CHIP;0ohm,5%,1/10W,TP,1608	
.....5	Q601	0501-000434	TR-SMALL SIGNAL;KTC3875S-GR,NPN,150mW,SO		.....5	SWR15	2007-000070	R-CHIP;0ohm,5%,1/10W,TP,1608	
.....5	Q602	0501-000434	TR-SMALL SIGNAL;KTC3875S-GR,NPN,150mW,SO		.....5	R08	2007-000074	R-CHIP;100ohm,5%,1/10W,TP,1608	
.....5	Q703	0501-000434	TR-SMALL SIGNAL;KTC3875S-GR,NPN,150mW,SO		.....5	R09	2007-000074	R-CHIP;100ohm,5%,1/10W,TP,1608	
.....5	Q704	0501-000434	TR-SMALL SIGNAL;KTC3875S-GR,NPN,150mW,SO		.....5	R13	2007-000074	R-CHIP;100ohm,5%,1/10W,TP,1608	
.....5	Q707	0501-000434	TR-SMALL SIGNAL;KTC3875S-GR,NPN,150mW,SO		.....5	R15	2007-000074	R-CHIP;100ohm,5%,1/10W,TP,1608	
.....5	Q708	0501-000434	TR-SMALL SIGNAL;KTC3875S-GR,NPN,150mW,SO		.....5	R153	2007-000074	R-CHIP;100ohm,5%,1/10W,TP,1608	
.....5	Q710	0501-000434	TR-SMALL SIGNAL;KTC3875S-GR,NPN,150mW,SO		.....5	R158	2007-000074	R-CHIP;100ohm,5%,1/10W,TP,1608	
.....5	Q930	0501-000434	TR-SMALL SIGNAL;KTC3875S-GR,NPN,150mW,SO		.....5	R159	2007-000074	R-CHIP;100ohm,5%,1/10W,TP,1608	
.....5	CQ01	0501-000669	TR-SMALL SIGNAL;KTA1505Y,PNP,150mW,SOT-2		.....5	R16	2007-000074	R-CHIP;100ohm,5%,1/10W,TP,1608	
.....5	CQ04	0501-000669	TR-SMALL SIGNAL;KTA1505Y,PNP,150mW,SOT-2		.....5	R101	2007-000084	R-CHIP;4.7Kohm,5%,1/10W,TP,1608	
.....5	CQ06	0501-000669	TR-SMALL SIGNAL;KTA1505Y,PNP,150mW,SOT-2		.....5	R160	2007-000084	R-CHIP;4.7Kohm,5%,1/10W,TP,1608	
.....5	CQ08	0501-000669	TR-SMALL SIGNAL;KTA1505Y,PNP,150mW,SOT-2		.....5	R161	2007-000084	R-CHIP;4.7Kohm,5%,1/10W,TP,1608	
.....5	CQ13	0501-000669	TR-SMALL SIGNAL;KTA1505Y,PNP,150mW,SOT-2		.....5	R162	2007-000084	R-CHIP;4.7Kohm,5%,1/10W,TP,1608	
.....5	CQ14	0501-000669	TR-SMALL SIGNAL;KTA1505Y,PNP,150mW,SOT-2		.....5	R19	2007-000084	R-CHIP;4.7Kohm,5%,1/10W,TP,1608	
.....5	CQ16	0501-000669	TR-SMALL SIGNAL;KTA1505Y,PNP,150mW,SOT-2		.....5	R20	2007-000084	R-CHIP;4.7Kohm,5%,1/10W,TP,1608	
.....5	CQ17	0501-000669	TR-SMALL SIGNAL;KTA1505Y,PNP,150mW,SOT-2		.....5	R21	2007-000084	R-CHIP;4.7Kohm,5%,1/10W,TP,1608	
.....5	CQ19	0501-000669	TR-SMALL SIGNAL;KTA1505Y,PNP,150mW,SOT-2		.....5	R23	2007-000084	R-CHIP;4.7Kohm,5%,1/10W,TP,1608	
.....5	CQ21	0501-000669	TR-SMALL SIGNAL;KTA1505Y,PNP,150mW,SOT-2		.....5	R24	2007-000084	R-CHIP;4.7Kohm,5%,1/10W,TP,1608	
.....5	FQ02	0501-000669	TR-SMALL SIGNAL;KTA1505Y,PNP,150mW,SOT-2		.....5	R25	2007-000084	R-CHIP;4.7Kohm,5%,1/10W,TP,1608	
.....5	FQ03	0501-000669	TR-SMALL SIGNAL;KTA1505Y,PNP,150mW,SOT-2		.....5	R802	2007-000084	R-CHIP;4.7Kohm,5%,1/10W,TP,1608	
.....5	FQ04	0501-000669	TR-SMALL SIGNAL;KTA1505Y,PNP,150mW,SOT-2		.....5	R809	2007-000084	R-CHIP;4.7Kohm,5%,1/10W,TP,1608	
.....5	FQ13	0501-000669	TR-SMALL SIGNAL;KTA1505Y,PNP,150mW,SOT-2		.....5	R154	2007-000090	R-CHIP;10Kohm,5%,1/10W,TP,1608	
.....5	SQ01	0501-000669	TR-SMALL SIGNAL;KTA1505Y,PNP,150mW,SOT-2		.....5	R155	2007-000090	R-CHIP;10Kohm,5%,1/10W,TP,1608	
.....5	Q409	0505-001905	FET-SILICON;2N7002,N,60V,115MA,7.5OHM,0.		.....5	R156	2007-000090	R-CHIP;10Kohm,5%,1/10W,TP,1608	
.....5	Q409	0505-001905	FET-SILICON;2N7002,N,60V,115MA,7.5OHM,0.		.....5	R157	2007-000090	R-CHIP;10Kohm,5%,1/10W,TP,1608	
.....4	T0122	2802-001177	RESONATOR-CERAMIC;2.696MHZ,0.4%,BK,10X4.		.....5	R200	2007-000090	R-CHIP;10Kohm,5%,1/10W,TP,1608	
.....3		BP63-00292A	SHIELD-TOP;Champ,SPT,E,T0.5	S.N.A	.....5	R201	2007-000090	R-CHIP;10Kohm,5%,1/10W,TP,1608	
.....3	T0063	BP63-00293A	SHIELD-BOTTOM;Champ,AL,T1.0	S.N.A	.....5	R116	2007-000113	R-CHIP;33ohm,5%,1/10W,TP,1608	
.....3	T0562	BP95-00390A	ASSY SUB PCB-HDMI,-J59A,CHAMP		.....5	R36	2007-000118	R-CHIP;390ohm,5%,1/10W,TP,1608	
.....4	T0245	0202-001366	SOLDER-WIRE FLUX,-RS60S,D1.2,63Sn/37Pb,	S.N.A	.....5	R31	2007-000125	R-CHIP;3.9Kohm,5%,1/10W,TP,1608	
.....4	CN02	3722-002180	JACK-PIN;2P(3P),AU,WHT/RED,ANGLE		.....5	R01	2007-000287	R-CHIP;100OHM,1%,1/10W,TP,1608	
.....4	T0174	BP97-00453S	ASSY SMD;HCP4752WX/XAA,J59A	S.N.A	.....5	R46	2007-000309	R-CHIP;10ohm,5%,1/10W,TP,1608	
.....5	D01	0401-001056	DIODE-SWITCHING;MMBD4148SE,100V,200MA,SO		.....5	R47	2007-000309	R-CHIP;10ohm,5%,1/10W,TP,1608	
.....5	D02	0401-001056	DIODE-SWITCHING;MMBD4148SE,100V,200MA,SO		.....5	R48	2007-000309	R-CHIP;10ohm,5%,1/10W,TP,1608	
.....5	D03	0401-001056	DIODE-SWITCHING;MMBD4148SE,100V,200MA,SO		.....5	R49	2007-000309	R-CHIP;10ohm,5%,1/10W,TP,1608	
.....5	D04	0401-001056	DIODE-SWITCHING;MMBD4148SE,100V,200MA,SO		.....5	R50	2007-000309	R-CHIP;10ohm,5%,1/10W,TP,1608	
.....5	D05	0401-001056	DIODE-SWITCHING;MMBD4148SE,100V,200MA,SO		.....5	R51	2007-000309	R-CHIP;10ohm,5%,1/10W,TP,1608	
.....5	D06	0401-001056	DIODE-SWITCHING;MMBD4148SE,100V,200MA,SO		.....5	R52	2007-000309	R-CHIP;10ohm,5%,1/10W,TP,1608	
.....5	D07	0401-001056	DIODE-SWITCHING;MMBD4148SE,100V,200MA,SO		.....5	R53	2007-000309	R-CHIP;10ohm,5%,1/10W,TP,1608	
.....5	D08	0401-001056	DIODE-SWITCHING;MMBD4148SE,100V,200MA,SO		.....5	R54	2007-000309	R-CHIP;10ohm,5%,1/10W,TP,1608	
.....5	D09	0401-001056	DIODE-SWITCHING;MMBD4148SE,100V,200MA,SO		.....5	R55	2007-000309	R-CHIP;10ohm,5%,1/10W,TP,1608	

Level	Loc.No.	Code No.	Description;Specification	Remark	Level	Loc.No.	Code No.	Description;Specification	Remark
.....5	R59	2007-000309	R-CHIP;10ohm,5%,1/10W,TP,1608		.....5	ZC09	2402-001042	C-AL,SMD;100uF,20%,16V,GP,TP,6.6x6.6x5.4	
.....5	R60	2007-000309	R-CHIP;10ohm,5%,1/10W,TP,1608		.....5	ZC11	2402-001042	C-AL,SMD;100uF,20%,16V,GP,TP,6.6x6.6x5.4	
.....5	R62	2007-000309	R-CHIP;10ohm,5%,1/10W,TP,1608		.....5	CN03	3701-001293	CONNECTOR-DSUB;19P,2R,FEMALE,SMD-A,AU	
.....5	R63	2007-000309	R-CHIP;10ohm,5%,1/10W,TP,1608		.....5	M0018	BP97-00761A	ASSY MICOM;HCP4363,P61A,S3P863A,P-CHMNUS	
.....5	R65	2007-000309	R-CHIP;10ohm,5%,1/10W,TP,1608		.....6	IC520	0903-001323	IC-MICROCONTROLLER;S3P863A-OTP-PLCC,384B	S.N.A
.....5	R66	2007-000309	R-CHIP;10ohm,5%,1/10W,TP,1608		.....5		0202-001375	SOLDER-CREAM;RMA-20-21L,S63,-,Sn63/Pb36.	S.N.A
.....5	R67	2007-000309	R-CHIP;10ohm,5%,1/10W,TP,1608		.....5	Q409	0505-001905	FET-SILICON;2N7002,N,60V,115MA,7.5OHM,0.	
.....5	R68	2007-000309	R-CHIP;10ohm,5%,1/10W,TP,1608		.....5	Q409	0505-001905	FET-SILICON;2N7002,N,60V,115MA,7.5OHM,0.	
.....5	R61	2007-000465	R-CHIP;1Kohm,1%,1/8W,TP,2012		.....5	Q409	0505-001905	FET-SILICON;2N7002,N,60V,115MA,7.5OHM,0.	
.....5	R38	2007-000468	R-CHIP;1Kohm,5%,1/8W,TP,2012		.....5	Q409	0505-001905	FET-SILICON;2N7002,N,60V,115MA,7.5OHM,0.	
.....5	R39	2007-000468	R-CHIP;1Kohm,5%,1/8W,TP,2012		.....5	Q409	0505-001905	FET-SILICON;2N7002,N,60V,115MA,7.5OHM,0.	
.....5	RS09	2011-000002	R-NET;22OHM,5%,1/16W,L,CHIP,8P,TP,3216		.....5	Q409	0505-001905	FET-SILICON;2N7002,N,60V,115MA,7.5OHM,0.	
.....5	RS28	2011-000002	R-NET;22OHM,5%,1/16W,L,CHIP,8P,TP,3216		.....4	CN902	3703-001175	CONNECTOR-BACK PANEL;64P,2R,MALE,ANGLE,A	
.....5	RS29	2011-000002	R-NET;22OHM,5%,1/16W,L,CHIP,8P,TP,3216		.....3	M0081	6003-001023	SCREW-TAPTITE;PWH,+B,M3,L10,ZPC(YEL),SW	S.N.A
.....5	RS30	2011-000002	R-NET;22OHM,5%,1/16W,L,CHIP,8P,TP,3216		.....3	T0122	2802-001179	RESONATOR-CERAMIC;4MHZ,0.5%,BK,8X3X5.5MM	
.....5	RS31	2011-000002	R-NET;22OHM,5%,1/16W,L,CHIP,8P,TP,3216		.....3	IC601	BP96-00712A	ASSY HEAT SINK P;BP62-00063A,SCREW,TDA72	S.N.A
.....5	RS32	2011-000002	R-NET;22OHM,5%,1/16W,L,CHIP,8P,TP,3216		.....4	CIS1	0205-001154	OIL-SILICON;G746,-	S.N.A
.....5	C89	2203-000181	C-CER,CHIP;100nF,+80-20%,25V,Y5V,TP,2012		.....4	M0081	6003-000335	SCREW-TAPTITE;RH,+2S,M3,L8,ZPC(YEL),SWR	S.N.A
.....5	ZC10	2203-000181	C-CER,CHIP;100nF,+80-20%,25V,Y5V,TP,2012		.....4	T0175	BP62-00063A	HEAT SINK-PS;CHAMP,A1050S,T2,0,42,100,WH	S.N.A
.....5	ZC12	2203-000181	C-CER,CHIP;100nF,+80-20%,25V,Y5V,TP,2012		.....4	T0124	1201-001026	IC-POWER AMP;7265,ZIP,11P,19.6MIL,DUAL,1	
.....5	C36	2203-000189	C-CER,CHIP;100nF,+80-20%,25V,Y5V,TP,1608		.....3	T0286	BP95-00175A	ASSY SUB PCB-CG MOD;SP43Q5HL1X/XEC,J60B	
.....5	C37	2203-000189	C-CER,CHIP;100nF,+80-20%,25V,Y5V,TP,1608		.....4	T0245	0202-001366	SOLDER-WIRE FLUX;-RS60S,D1.2,63Sn/37Pb.	S.N.A
.....5	C19	2203-000236	C-CER,CHIP;0.1nF,5%,50V,C0G,1608		.....4	Q409	0505-000109	FET-SILICON;2N7000,N,60V,200mA,5ohm,400m	
.....5	C20	2203-000236	C-CER,CHIP;0.1nF,5%,50V,C0G,1608		.....4	Q409	0505-000109	FET-SILICON;2N7000,N,60V,200mA,5ohm,400m	
.....5	C21	2203-000236	C-CER,CHIP;0.1nF,5%,50V,C0G,1608		.....4	L01	2701-001030	INDUCTOR-AXIAL;43UH,10%,4514	
.....5	C22	2203-000236	C-CER,CHIP;0.1nF,5%,50V,C0G,1608		.....4	CN906	3711-003601	CONNECTOR-HEADER;BOX,12P,1R,2.5mm,ANGLE,	
.....5	C23	2203-000236	C-CER,CHIP;0.1nF,5%,50V,C0G,1608		.....4		BP97-00914A	ASSY SMD-CG;SP43Q5HL1X/XEC,J60B	S.N.A
.....5	C24	2203-000236	C-CER,CHIP;0.1nF,5%,50V,C0G,1608		.....5	D01	0401-000132	DIODE-SWITCHING;BAV99,70V,50MA,SOT-23,TP	
.....5	C25	2203-000236	C-CER,CHIP;0.1nF,5%,50V,C0G,1608		.....5	D02	0401-000132	DIODE-SWITCHING;BAV99,70V,50MA,SOT-23,TP	
.....5	C26	2203-000236	C-CER,CHIP;0.1nF,5%,50V,C0G,1608		.....5	D03	0401-000132	DIODE-SWITCHING;BAV99,70V,50MA,SOT-23,TP	
.....5	C27	2203-000236	C-CER,CHIP;0.1nF,5%,50V,C0G,1608		.....5	D04	0401-000132	DIODE-SWITCHING;BAV99,70V,50MA,SOT-23,TP	
.....5	C28	2203-000236	C-CER,CHIP;0.1nF,5%,50V,C0G,1608		.....5	D05	0401-000132	DIODE-SWITCHING;BAV99,70V,50MA,SOT-23,TP	
.....5	C29	2203-000236	C-CER,CHIP;0.1nF,5%,50V,C0G,1608		.....5	D06	0401-000132	DIODE-SWITCHING;BAV99,70V,50MA,SOT-23,TP	
.....5	C30	2203-000236	C-CER,CHIP;0.1nF,5%,50V,C0G,1608		.....5	D07	0401-000132	DIODE-SWITCHING;BAV99,70V,50MA,SOT-23,TP	
.....5	C32	2203-000236	C-CER,CHIP;0.1nF,5%,50V,C0G,1608		.....5	D08	0401-000132	DIODE-SWITCHING;BAV99,70V,50MA,SOT-23,TP	
.....5	C33	2203-000236	C-CER,CHIP;0.1nF,5%,50V,C0G,1608		.....5	D09	0401-000132	DIODE-SWITCHING;BAV99,70V,50MA,SOT-23,TP	
.....5	C34	2203-000236	C-CER,CHIP;0.1nF,5%,50V,C0G,1608		.....5	D13	0401-000160	DIODE-SWITCHING;ISS314,30V,100MA,SOD-323	
.....5	C35	2203-000236	C-CER,CHIP;0.1nF,5%,50V,C0G,1608		.....5	D14	0401-000160	DIODE-SWITCHING;ISS314,30V,100MA,SOD-323	
.....5	C50	2203-000236	C-CER,CHIP;0.1nF,5%,50V,C0G,1608		.....5	D16	0401-000160	DIODE-SWITCHING;ISS314,30V,100MA,SOD-323	
.....5	C54	2203-000236	C-CER,CHIP;0.1nF,5%,50V,C0G,1608		.....5	D17	0401-000160	DIODE-SWITCHING;ISS314,30V,100MA,SOD-323	
.....5	C55	2203-000236	C-CER,CHIP;0.1nF,5%,50V,C0G,1608		.....5	D18	0401-000160	DIODE-SWITCHING;ISS314,30V,100MA,SOD-323	
.....5	C901	2203-000440	C-CER,CHIP;1nF,10%,50V,X7R,1608		.....5	D19	0401-000160	DIODE-SWITCHING;ISS314,30V,100MA,SOD-323	
.....5	C90	2203-000815	C-CER,CHIP;0.033nF,5%,50V,C0G,TP,1608		.....5	DZ01	0403-001016	DIODE-ZENER;RLZ6.2B,5.96-6.27V,500mW,LL-	
.....5	C91	2203-000815	C-CER,CHIP;0.033nF,5%,50V,C0G,TP,1608		.....5	DZ02	0403-001016	DIODE-ZENER;RLZ6.2B,5.96-6.27V,500mW,LL-	
.....5	C14	2203-000975	C-CER,CHIP;47nF,10%,25V,X7R,TP,1608,-		.....5	DZ03	0403-001016	DIODE-ZENER;RLZ6.2B,5.96-6.27V,500mW,LL-	
.....5	C31	2203-005249	C-CER,CHIP;100nF,10%,50V,X7R,TP,1608,-		.....5	IC104	0801-002404	IC-CMOS LOGIC;74VHC4066,ANALOG SWITCH,SO	
.....5	C77	2203-005249	C-CER,CHIP;100nF,10%,50V,X7R,TP,1608,-		.....5	IC104	0801-002449	IC-CMOS LOGIC;74LVX4245,BUS TRANSCEIVER,	
.....5	C78	2203-005249	C-CER,CHIP;100nF,10%,50V,X7R,TP,1608,-		.....5	IC07	1001-001211	IC-ANALOG MULTIPLEX;MM74HC4052MTC,DUALMU	
.....5	C79	2203-005249	C-CER,CHIP;100nF,10%,50V,X7R,TP,1608,-		.....5	IC15	1001-001211	IC-ANALOG MULTIPLEX;MM74HC4052MTC,DUALMU	
.....5	C902	2203-005249	C-CER,CHIP;100nF,10%,50V,X7R,TP,1608,-		.....5	DU410	1201-001135	IC-OP AMP;324,SOP,ST,14P,150MIL,QUAD,100	
.....5	C903	2203-005249	C-CER,CHIP;100nF,10%,50V,X7R,TP,1608,-		.....5	DU410	1201-001504	IC-OP AMP;072,SOP,8P,150MIL,DUAL,-,PLAST	
.....5	C904	2203-005249	C-CER,CHIP;100nF,10%,50V,X7R,TP,1608,-		.....5	DU410	1201-001504	IC-OP AMP;072,SOP,8P,150MIL,DUAL,-,PLAST	
.....5	C905	2203-005249	C-CER,CHIP;100nF,10%,50V,X7R,TP,1608,-		.....5	DU410	1201-001504	IC-OP AMP;072,SOP,8P,150MIL,DUAL,-,PLAST	
.....5	C906	2203-005249	C-CER,CHIP;100nF,10%,50V,X7R,TP,1608,-		.....5	DU410	1201-001504	IC-OP AMP;072,SOP,8P,150MIL,DUAL,-,PLAST	
.....5	C93	2203-005249	C-CER,CHIP;100nF,10%,50V,X7R,TP,1608,-		.....5	T0074	1201-001520	IC-VIDEO AMP;EL2250CS,SOIC,8P,150MIL,DUA	
.....5	C94	2203-005249	C-CER,CHIP;100nF,10%,50V,X7R,TP,1608,-		.....5	IC04	1203-001212	IC-VOL. DETECTOR;7029,SOT-89,3P,-,PLAST1	
.....5	C15	2203-006333	C-CER,CHIP;10000nF,20%,16V,X5R,TP,3216		.....5	IC062	1203-003172	IC-MULTI REG.;SI-3006KWM,DPAK,5P,6.6X6.1	
.....5	C08	2402-000176	C-AL,SMD;10uF,20%,16V,GP,TP,4.3x4.3x5.4		.....5	R152	2007-000070	R-CHIP;0ohm,5%,1/10W,TP,1608	
.....5	C09	2402-000176	C-AL,SMD;10uF,20%,16V,GP,TP,4.3x4.3x5.4		.....5	R32	2007-000072	R-CHIP;47ohm,5%,1/10W,TP,1608	
.....5	C10	2402-000176	C-AL,SMD;10uF,20%,16V,GP,TP,4.3x4.3x5.4		.....5	R33	2007-000072	R-CHIP;47ohm,5%,1/10W,TP,1608	
.....5	C11	2402-000176	C-AL,SMD;10uF,20%,16V,GP,TP,4.3x4.3x5.4		.....5	R39	2007-000072	R-CHIP;47ohm,5%,1/10W,TP,1608	
.....5	C12	2402-000176	C-AL,SMD;10uF,20%,16V,GP,TP,4.3x4.3x5.4		.....5	R40	2007-000072	R-CHIP;47ohm,5%,1/10W,TP,1608	
.....5	C13	2402-000176	C-AL,SMD;10uF,20%,16V,GP,TP,4.3x4.3x5.4		.....5	R69	2007-000072	R-CHIP;47ohm,5%,1/10W,TP,1608	
.....5	C92	2402-001150	C-AL,SMD;47uF,20%,16V,-,TP,6.3X5.8MM		.....5	R02	2007-000074	R-CHIP;100ohm,5%,1/10W,TP,1608	
.....5	T0052	2703-000398	INDUCTOR-SMD;10uH,10%,3225		.....5	R06	2007-000074	R-CHIP;100ohm,5%,1/10W,TP,1608	
.....5	T0052	2703-000398	INDUCTOR-SMD;10uH,10%,3225		.....5	R113	2007-000074	R-CHIP;100ohm,5%,1/10W,TP,1608	
.....5	T0052	2703-000398	INDUCTOR-SMD;10uH,10%,3225		.....5	R134	2007-000074	R-CHIP;100ohm,5%,1/10W,TP,1608	
.....5	X12	2801-003773	CRYSTAL-SMD;12MHZ,30PPM,28-AN,20PF,500H		.....5	R135	2007-000074	R-CHIP;100ohm,5%,1/10W,TP,1608	
.....5	T0568	3301-001082	BEAD-SMD;60ohm,3225,1500mA,TP,43ohm/40MH	S.N.A	.....5	R136	2007-000074	R-CHIP;100ohm,5%,1/10W,TP,1608	
.....5	T0568	3301-001082	BEAD-SMD;60ohm,3225,1500mA,TP,43ohm/40MH	S.N.A	.....5	R137	2007-000074	R-CHIP;100ohm,5%,1/10W,TP,1608	
.....5	T0568	3301-001082	BEAD-SMD;60ohm,3225,1500mA,TP,43ohm/40MH	S.N.A	.....5	R139	2007-000074	R-CHIP;100ohm,5%,1/10W,TP,1608	
.....5	T0568	3301-001082	BEAD-SMD;60ohm,3225,1500mA,TP,43ohm/40MH	S.N.A	.....5	R140	2007-000074	R-CHIP;100ohm,5%,1/10W,TP,1608	
.....5	OO	BP41-000548	PCB-HDMI;HCP4252W,FR-4,4L,A,1.6T,120*170	S.N.A	.....5	R141	2007-000074	R-CHIP;100ohm,5%,1/10W,TP,1608	
.....5	T0087	1203-001359	IC-POSI.FIXED REG.;1086,TO-263,3P,15.8MM		.....5	R144	2007-000074	R-CHIP;100ohm,5%,1/10W,TP,1608	
.....5	R40	2007-000402	R-CHIP;150ohm,5%,1/10W,TP,1608		.....5	R145	2007-000074	R-CHIP;100ohm,5%,1/10W,TP,1608	
.....5	R41	2007-000402	R-CHIP;150ohm,5%,1/10W,TP,1608		.....5	R15	2007-000074	R-CHIP;100ohm,5%,1/10W,TP,1608	
.....5	R42	2007-000402	R-CHIP;150ohm,5%,1/10W,TP,1608		.....5	R153	2007-000074	R-CHIP;100ohm,5%,1/10W,TP,1608	



Level	Loc.No.	Code No.	Description;Specification	Remark	Level	Loc.No.	Code No.	Description;Specification	Remark
....5	C65	2203-000204	C-CER,CHIP;100nF,10%,25V,X7R,TP,2012		...3	T0238	BP97-00692A	ASSY AUTO;HCP4752WX/XAA,P59A	S.N.A
....5	C66	2203-000204	C-CER,CHIP;100nF,10%,25V,X7R,TP,2012		...4	PCB	BP41-00112A	PCB SUB-A/V RONT;SP43T9HRX/XTT,J57A,TV-T	S.N.A
....5	C70	2203-000204	C-CER,CHIP;100nF,10%,25V,X7R,TP,2012		...3	T0603	AA63-10002A	BAND-TIE;NYLON66 V2,1.100,NTR	S.N.A
....5	C74	2203-000204	C-CER,CHIP;100nF,10%,25V,X7R,TP,2012		...3	M2893	BP39-00060B	LEAD CONNECTOR;P58A,UL2547#26,UL/CSA,12P	
....5	C78	2203-000204	C-CER,CHIP;100nF,10%,25V,X7R,TP,2012		..2	T0384	BP94-02124A	ASSY PCB MISC-PWR CONTROL;SVP-42Q2HL,P60	
....5	C82	2203-000204	C-CER,CHIP;100nF,10%,25V,X7R,TP,2012		...3	LEDY01	0601-001381	LED;ROUND,RED/GRN,5.0MM,650/563NM	
....5	C83	2203-000204	C-CER,CHIP;100nF,10%,25V,X7R,TP,2012		...3	D0254	AA32-00012A	MODULE REMOCON;ORC-50HF2,38KHZ,940NM,MES	
....5	C84	2203-000204	C-CER,CHIP;100nF,10%,25V,X7R,TP,2012		...3		BP97-00568A	ASSY AUTO-PWR CONTROL;SVP-42Q2HL,P60A	S.N.A
....5	C98	2203-000204	C-CER,CHIP;100nF,10%,25V,X7R,TP,2012		...4	DZY01	0403-000510	DIODE-ZENER;MTZJ6.2B,5.96-6.27V,500MW,DO	
....5	C99	2203-000204	C-CER,CHIP;100nF,10%,25V,X7R,TP,2012		...4	DZY02	0403-000510	DIODE-ZENER;MTZJ6.2B,5.96-6.27V,500MW,DO	
....5	C90	2203-000257	C-CER,CHIP;10nF,10%,50V,X7R,1608		...4	DZY03	0403-000510	DIODE-ZENER;MTZJ6.2B,5.96-6.27V,500MW,DO	
....5	C92	2203-000257	C-CER,CHIP;10nF,10%,50V,X7R,1608		...4	RY07	2001-000020	R-CARBON(S);220OHM,5%,1/2W,AA,TP,2.4X6.4M	
....5	C94	2203-000257	C-CER,CHIP;10nF,10%,50V,X7R,1608		...4	RY01	2001-000109	R-CARBON(S);470OHM,5%,1/2W,AA,TP,2.4X6.4	
....5	C96	2203-000257	C-CER,CHIP;10nF,10%,50V,X7R,1608		...4	RY09	2001-000109	R-CARBON(S);470OHM,5%,1/2W,AA,TP,2.4X6.4	
....5	C50	2203-000357	C-CER,CHIP;0.15NF,5%,50V,C0G,TP,1608		...4	RY08	2001-001108	R-CARBON(S);22KOHM,5%,1/2W,AA,TP,2.4X6.4	
....5	C54	2203-000357	C-CER,CHIP;0.15NF,5%,50V,C0G,TP,1608		...4	CY01	2401-002009	C-AL;100uF,20%,16V,GP,TP,6.3x7.5	
....5	C58	2203-000357	C-CER,CHIP;0.15NF,5%,50V,C0G,TP,1608		...4	LY01	2701-000114	INDUCTOR-AXIAL;10UH,10%,2534	
....5	C62	2203-000357	C-CER,CHIP;0.15NF,5%,50V,C0G,TP,1608		...4	SWY01	3404-000243	SWITCH-TACT;15V,20mA,160gf+-50gf,6x3.4mm	
....5	C67	2203-000357	C-CER,CHIP;0.15NF,5%,50V,C0G,TP,1608		...4	PCB	BP41-00113A	PCB SUB-PWR CONTROL;SVP-43W6HE,P59A	S.N.A
....5	C71	2203-000357	C-CER,CHIP;0.15NF,5%,50V,C0G,TP,1608		...4	QY01	0504-001061	TR-DIGITAL;KRC111M,NPN,400mW,10K,TO-92M,	
....5	C75	2203-000357	C-CER,CHIP;0.15NF,5%,50V,C0G,TP,1608		...4	QY02	0504-001061	TR-DIGITAL;KRC111M,NPN,400mW,10K,TO-92M,	
....5	C79	2203-000357	C-CER,CHIP;0.15NF,5%,50V,C0G,TP,1608		...3	T0245	0202-001366	SOLDER-WIRE FLUX;-RS60S,D1.2,63Sn/37Pb,	S.N.A
....5	C09	2203-000440	C-CER,CHIP;1nF,10%,50V,X7R,1608		...3	CN906	3711-001075	CONNECTOR-HEADER;BOX,7P,1R,2.5MM,ANGLE,	
....5	C89	2203-000972	C-CER,CHIP;47nF,10%,16V,X7R,TP,1608		..2	T0065	BP94-00731A	ASSY PCB CRT;HCP4252,P59A	
....5	C91	2203-000972	C-CER,CHIP;47nF,10%,16V,X7R,TP,1608		...3	T0245	0202-001366	SOLDER-WIRE FLUX;-RS60S,D1.2,63Sn/37Pb,	S.N.A
....5	C93	2203-000972	C-CER,CHIP;47nF,10%,16V,X7R,TP,1608		...3	T0121	3301-001201	CORE-FERRITE;AE,21x11x32mm,1500,280G	
....5	C95	2203-000972	C-CER,CHIP;47nF,10%,16V,X7R,TP,1608		...3	V501	3704-001019	SOCKET-CRT;10P,29.1PI,35.5PI,AU30U,-	
....5	C51	2203-001071	C-CER,CHIP;0.056NF,5%,50V,C0G,TP,1608		...3	V531	3704-001019	SOCKET-CRT;10P,29.1PI,35.5PI,AU30U,-	
....5	C55	2203-001071	C-CER,CHIP;0.056NF,5%,50V,C0G,TP,1608		...3	V561	3704-001019	SOCKET-CRT;10P,29.1PI,35.5PI,AU30U,-	
....5	C59	2203-001071	C-CER,CHIP;0.056NF,5%,50V,C0G,TP,1608		...3	CN906	3711-000577	CONNECTOR-HEADER;BOX,10P,1R,2.5mm,STRAIG	
....5	C63	2203-001071	C-CER,CHIP;0.056NF,5%,50V,C0G,TP,1608		...3	CN906	3711-000577	CONNECTOR-HEADER;BOX,10P,1R,2.5mm,STRAIG	
....5	C68	2203-001071	C-CER,CHIP;0.056NF,5%,50V,C0G,TP,1608		...3	CN906	3711-000577	CONNECTOR-HEADER;BOX,10P,1R,2.5mm,STRAIG	
....5	C72	2203-001071	C-CER,CHIP;0.056NF,5%,50V,C0G,TP,1608		...3	CN906	3711-000577	CONNECTOR-HEADER;BOX,10P,1R,2.5mm,STRAIG	
....5	C76	2203-001071	C-CER,CHIP;0.056NF,5%,50V,C0G,TP,1608		...3	CN906	3711-000577	CONNECTOR-HEADER;BOX,10P,1R,2.5mm,STRAIG	
....5	C80	2203-001071	C-CER,CHIP;0.056NF,5%,50V,C0G,TP,1608		...3	CN906	3711-001084	CONNECTOR-HEADER;BOX,8P,1R,2.5mm,STRAIGH	
....5	C85	2203-001083	C-CER,CHIP;0.005nF,0.1pF,50V,NP0,TP,1608		...3	CN510	3722-001503	JACK-PIN;1P,1PI,NI,RED,SCR-JACK	
....5	C86	2203-001083	C-CER,CHIP;0.005nF,0.1pF,50V,NP0,TP,1608		...3	CN550	3722-001503	JACK-PIN;1P,1PI,NI,RED,SCR-JACK	
....5	C87	2203-001083	C-CER,CHIP;0.005nF,0.1pF,50V,NP0,TP,1608		...3	CN580	3722-001503	JACK-PIN;1P,1PI,NI,RED,SCR-JACK	
....5	C88	2203-001083	C-CER,CHIP;0.005nF,0.1pF,50V,NP0,TP,1608		...3	T0245	AA39-00198A	LEAD CONNECTOR-ASSY;3P,900/600MM,YFH800	
....5	C28	2402-000176	C-AL,SMD;10uF,20%,16V,GP,TP,4.3x4.3x5.4		...3	T0245	AA39-20010D	LEAD CONNECTOR-ASSY;1P,400,YFH800-01,S,	
....5	C33	2402-000176	C-AL,SMD;10uF,20%,16V,GP,TP,4.3x4.3x5.4		...3	T0245	AA39-20010D	LEAD CONNECTOR-ASSY;1P,400,YFH800-01,S,	
....5	C35	2402-000176	C-AL,SMD;10uF,20%,16V,GP,TP,4.3x4.3x5.4		...3	T0603	AA63-10002A	BAND-TIE;NYLON66 V2,1.100,NTR	S.N.A
....5	C01	2402-001042	C-AL,SMD;100uF,20%,16V,GP,TP,6.6x6.6x5.4		...3	IC501	AA96-50311L	ASSY HEAT SINK P;-AMP,AA62-30175D ,TDA	S.N.A
....5	C03	2402-001042	C-AL,SMD;100uF,20%,16V,GP,TP,6.6x6.6x5.4		...3	IC531	AA96-50311L	ASSY HEAT SINK P;-AMP,AA62-30175D ,TDA	S.N.A
....5	C05	2402-001042	C-AL,SMD;100uF,20%,16V,GP,TP,6.6x6.6x5.4		...3	IC561	AA96-50311L	ASSY HEAT SINK P;-AMP,AA62-30175D ,TDA	S.N.A
....5	C07	2402-001042	C-AL,SMD;100uF,20%,16V,GP,TP,6.6x6.6x5.4		...4	M0081	6003-000334	SCREW-TAPTITE;RH,+2S,M3,L6,ZPC(YL),SWR	S.N.A
....5	C106	2402-001042	C-AL,SMD;100uF,20%,16V,GP,TP,6.6x6.6x5.4		...4	T0175	AA62-30175D	HEAT SINK-PS;-SECC,T1.0,-33X15X30 FT-2	S.N.A
....5	C17	2402-001042	C-AL,SMD;100uF,20%,16V,GP,TP,6.6x6.6x5.4		...4	T0074	1201-001131	IC-VIDEO AMP;6111,SIP,9P,-,SINGLE,-,PLAS	
....5	C24	2402-001042	C-AL,SMD;100uF,20%,16V,GP,TP,6.6x6.6x5.4		...3	M2893	BP39-00053A	LEAD CONNECTOR;P57A/SVP-55WHT,UL1007#26,	
....5	C40	2402-001042	C-AL,SMD;100uF,20%,16V,GP,TP,6.6x6.6x5.4		...3	M2893	BP39-00053A	LEAD CONNECTOR;P57A/SVP-55WHT,UL1007#26,	
....5	C46	2402-001042	C-AL,SMD;100uF,20%,16V,GP,TP,6.6x6.6x5.4		...3	M2893	BP39-00053B	LEAD CONNECTOR;CHAMP,UL1007#26,UL/CSA,10	
....5	C48	2402-001042	C-AL,SMD;100uF,20%,16V,GP,TP,6.6x6.6x5.4		...3	M2893	BP39-00055C	LEAD CONNECTOR;SVP-61L2HD,UL1007#26,UL/C	
....5	C97	2402-001042	C-AL,SMD;100uF,20%,16V,GP,TP,6.6x6.6x5.4		...3	T0103	BP59-00045A	MODULE-FOCUS PACK ASSY;SVP-43W6HE,F301-	
....5	OSC01	2804-001594	OSCILLATOR-CLOCK;6MHz,100ppm,15pF,SMD,3.		...3	T0238	BP97-00732A	ASSY AUTO;J60A,OMEGA	S.N.A
....5	IC125	AA13-00110A	IC ASIC;SDC31,SDC31,128,+1.8V,+3.3V,-0to		...4	D504	0401-000005	DIODE-SWITCHING;1N4148,75V,150MA,DO-35,T	
....5	0	BP41-00197B	PCB CONVERGENCE;SVP-42W5,CEM-3,2L,1.6T,2	S.N.A	...4	D509	0401-000005	DIODE-SWITCHING;1N4148,75V,150MA,DO-35,T	
....5		0202-001375	SOLDER-CREAM;RMA-20-21L,S63,-,Sn63/Pb36.	S.N.A	...4	D510	0401-000005	DIODE-SWITCHING;1N4148,75V,150MA,DO-35,T	
....5	Q06	0501-000445	TR-SMALL SIGNAL;KTC3875S-Y,NPN,150mW,SOT		...4	D503	0402-000493	DIODE-RECTIFIER;1R5GU41,400V,1.5A,DO-15L	
....5	Q01	0501-000669	TR-SMALL SIGNAL;KTA1505Y,PNP,150mW,SOT-2		...4	D533	0402-000493	DIODE-RECTIFIER;1R5GU41,400V,1.5A,DO-15L	
..4	CN902	3703-001124	CONNECTOR-BACK PANEL;32P,2R,MALE,ANGLE,A		...4	D563	0402-000493	DIODE-RECTIFIER;1R5GU41,400V,1.5A,DO-15L	
..2	T0101	BP94-00967A	ASSY PCB MISC-SENSOR;BP94-00134E,SENSOR		...4	D501	0402-000546	DIODE-RECTIFIER;TVR10G,400V,1.0A,DO-41,T	
...3	T0245	0202-001366	SOLDER-WIRE FLUX;-RS60S,D1.2,63Sn/37Pb,	S.N.A	...4	D502	0402-000546	DIODE-RECTIFIER;TVR10G,400V,1.0A,DO-41,T	
...3	CN906	3711-000447	CONNECTOR-HEADER;BOX,3P,1R,2.5MM,ANGLE,-		...4	D531	0402-000546	DIODE-RECTIFIER;TVR10G,400V,1.0A,DO-41,T	
...3	T0211	BP97-00456E	ASSY SMD-SENSOR;SENSOR,ALL	S.N.A	...4	D532	0402-000546	DIODE-RECTIFIER;TVR10G,400V,1.0A,DO-41,T	
...4	R03	2007-000109	R-CHIP;1Mohm,5%,1/10W,TP,1608		...4	D561	0402-000546	DIODE-RECTIFIER;TVR10G,400V,1.0A,DO-41,T	
...4	R02	2007-000109	R-CHIP;1Mohm,5%,1/10W,TP,1608		...4	D562	0402-000546	DIODE-RECTIFIER;TVR10G,400V,1.0A,DO-41,T	
...4	R01	2007-000305	R-CHIP;10Mohm,5%,1/10W,TP,1608		...4	DZ501	0403-000334	DIODE-ZENER;U22.7BSA,2.54-2.75V,500MW,DO	
...4		AA41-00853B	PCB SENSOR;SENSOR,FR-4,2,1.6T,245*245,10	S.N.A	...4	DZ531	0403-000334	DIODE-ZENER;U22.7BSA,2.54-2.75V,500MW,DO	
...4	D01	BP32-00001A	SENSOR PHOTO;BCS5030G1,-40 TO +85.0,42 U		...4	DZ561	0403-000334	DIODE-ZENER;U22.7BSA,2.54-2.75V,500MW,DO	
...4		0202-001375	SOLDER-CREAM;RMA-20-21L,S63,-,Sn63/Pb36.	S.N.A	...4	DZ502	0403-000508	DIODE-ZENER;MTZJ5.6B,5.45-5.73V,500MW,DO	
...4	Q01	0501-000445	TR-SMALL SIGNAL;KTC3875S-Y,NPN,150mW,SOT		...4	DZ532	0403-000508	DIODE-ZENER;MTZJ5.6B,5.45-5.73V,500MW,DO	
..2	T0091	BP94-01214A	ASSY PCB MISC-A/V SIDE;HCP4752WX/XAA,P59		...4	DZ562	0403-000508	DIODE-ZENER;MTZJ5.6B,5.45-5.73V,500MW,DO	
...3	T0245	0202-001366	SOLDER-WIRE FLUX;-RS60S,D1.2,63Sn/37Pb,	S.N.A	...4	DZ503	0403-000708	DIODE-ZENER;MTZJ13B,12.55-13.21V,500MW,D	
...3	T0121	3301-001201	CORE-FERRITE;AE,21x11x32mm,1500,280G		...4	DZ533	0403-000708	DIODE-ZENER;MTZJ13B,12.55-13.21V,500MW,D	
...3	CN906	3711-000643	CONNECTOR-HEADER;BOX,12P,1R,2.5MM,ANGLE,		...4	DZ563	0403-000708	DIODE-ZENER;MTZJ13B,12.55-13.21V,500MW,D	
...3	JK101	3722-000544	JACK-VHS;4P,11.5mm,AG,BLK,N		...4	Q504	0501-000283	TR-SMALL SIGNAL;KSA539,PNP,400mW,TO-92,T	
...3	JK102	3722-001164	JACK-PIN;3P,3.4mm,SN,WH;YE:RE:#16-22		...4	Q533	0501-000283	TR-SMALL SIGNAL;KSA539,PNP,400mW,TO-92,T	





Level	Loc.No.	Code No.	Description;Specification	Remark	Level	Loc.No.	Code No.	Description;Specification	Remark
...	CIS1	AA65-30018A	CLAMPER CORE-WIRE;DONG-A,NYLON66,-,-,-	S.N.A	...	C816	2401-000787	C-AL;220uF,20%,160V,GP,BK,16x31.5mm,7.5	
...	CIS1	AA65-00029A	CLAMPER CORE-WIRE;PJT,V,NYLON66,OD24,DONG	S.N.A	...	C870	2401-001675	C-AL;820uF,20%,200V,GP,BK,25x50mm,1	
...	T0105	BP94-01484A	ASSY PCB MISC-DY JACK;SVP-43H3HT,P61A		...	C822	2401-002216	C-AL;2200uF,20%,35V,GP,TP,16x25,7.5	
...	T0245	0202-001366	SOLDER-WIRE FLUX;-RS60S,D1.2,63Sn/37Pb,	S.N.A	...	C825	2401-002216	C-AL;2200uF,20%,35V,GP,TP,16x25,7.5	
...	CN906	3711-000654	CONNECTOR-HEADER;BOX,12P,1R,2.5mm,STRAIG		...	C804	2401-003076	C-AL;3300UF,20%,50V,WT,BK,18X35.5MM,7.5	
...	CN906	3711-003043	CONNECTOR-HEADER;BOX,4P,1R,2.5MM,STRAIGH		...	C814	2401-003076	C-AL;3300UF,20%,50V,WT,BK,18X35.5MM,7.5	
...	CN906	3711-003043	CONNECTOR-HEADER;BOX,4P,1R,2.5MM,STRAIGH		...	C824	2401-003076	C-AL;3300UF,20%,50V,WT,BK,18X35.5MM,7.5	
...	CN906	3711-003043	CONNECTOR-HEADER;BOX,4P,1R,2.5MM,STRAIGH		...	T0121	3301-001201	CORE-FERRITE;AE,21x11x32mm,1500,280G	
...	GT811	AA60-40012D	PIN-GT,ASSY;T1.6,6-12.5,-NYLON66	S.N.A	...	CN906	3711-000654	CONNECTOR-HEADER;BOX,12P,1R,2.5mm,STRAIG	
...	GT811	AA60-40012D	PIN-GT,ASSY;T1.6,6-12.5,-NYLON66	S.N.A	...	CN906	3711-001084	CONNECTOR-HEADER;BOX,8P,1R,2.5mm,STRAIGH	
...	GT811	AA60-40012D	PIN-GT,ASSY;T1.6,6-12.5,-NYLON66	S.N.A	...	T0310	4715-001050	SURGE ABSORBER;2.4kV,20%,1500A,-,DISC-RA	
...	T0061	BP61-00375A	HOLDER-PCB DY;P,UTV,HIPS,V0,BLK	S.N.A	...	T432	AA26-00053B	TRANS-DUMMY;ER-4445,P59A,18 PIN,1.3mH,11	
...	T0100	BP97-00554A	ASSY AUTO-DY JACK;SVP-43H3HT,P61A	S.N.A	...	T481	AA26-00091A	TRANS-HV-STORAGE;4mH,-,14P,830uH,180V,10	
...	R301	2001-001107	R-CARBON(S);220ohm,5%,1/2W,AA,TP,2.4x6.4		...	T431	AA26-50001U	TRANS-HORIZ.DRIVE;-,-,28mH,-,-,105uH,-	
...	R302	2001-001107	R-CARBON(S);220ohm,5%,1/2W,AA,TP,2.4x6.4		...	T461	AA26-50001V	TRANS-HORIZ.DRIVE;-,-,6.0mH,-,-,113uH,-	
...	R303	2001-001107	R-CARBON(S);220ohm,5%,1/2W,AA,TP,2.4x6.4		...	T0010	AA27-10001C	COIL CHOKE;-100uH,K,-,5.0A,ST,700UH-K(R	
...	R304	2009-001109	R-TEMPERATURE;240ohm,5%,1/4W,AA,TP,2.3x6		...	T0010	AA27-10001C	COIL CHOKE;-100uH,K,-,5.0A,ST,700UH-K(R	
...	R305	2009-001109	R-TEMPERATURE;240ohm,5%,1/4W,AA,TP,2.3x6		...	T0010	AA27-10002L	COIL CHOKE;-24uH,K,-,2A,-,24UH-K,10x10mm	
...	R306	2009-001109	R-TEMPERATURE;240ohm,5%,1/4W,AA,TP,2.3x6		...	T0296	AA27-30003M	COIL LINEARITY;-5uH,OWA14x15,USRC0.1x60	
...	R307	2009-001109	R-TEMPERATURE;240ohm,5%,1/4W,AA,TP,2.3x6		...	M2893	AA39-00362B	LEAD CONNECTOR;CHAMP,UL1007#26,UL/CSA,10	
...	OO	BP41-00146A	PCB-DY JACK;SVP-43H3HT,1L,A,P61A,4A,TV-T	S.N.A	...	ICZ103	AA96-00038B	ASSY HEAT SINK P;-CONVERGENCE,AA62-3017	S.N.A
...	GT01	AA60-40012F	PIN-GT;4P,2.36PI,6/12/14mm,NYLON66,LOCKI	S.N.A	...	ICZ104	AA96-00038B	ASSY HEAT SINK P;-CONVERGENCE,AA62-3017	S.N.A
...	T0245	BP94-01142A	ASSY PCB MISC-KEY CONTROL;HCP5252,P59A		...	T0522	0205-001153	GREASE-SILICON;SC102,JAPAN,-	S.N.A
...	T0245	0202-001366	SOLDER-WIRE FLUX;-RS60S,D1.2,63Sn/37Pb,	S.N.A	...	M0081	6003-001021	SCREW-TAPTITE;RH,+B,M3,L15,ZPC(YEL),SWR	S.N.A
...	T0121	3301-001201	CORE-FERRITE;AE,21x11x32mm,1500,280G		...	T0066	AA62-30173E	HEAT SINK-ES;-,-,T1.0,WHITE,SCREW-HELE(1	S.N.A
...	CN906	3711-000669	CONNECTOR-HEADER;BOX,11P,1R,2.5MM,ANGLE,		...	T0074	1201-001512	IC-VIDEO AMP;392,SIP,2P,-,TRIPLE,-,PLAS	
...	CN906	3711-001075	CONNECTOR-HEADER;BOX,7P,1R,2.5MM,ANGLE,		...	D804	AA96-00243E	ASSY HEAT SINK P;-SOUND,AA62-00045A,FMG	S.N.A
...	M0081	6003-001023	SCREW-TAPTITE;PWH,+B,M3,L10,ZPC(YEL),SW	S.N.A	...	D851	AA96-00243E	ASSY HEAT SINK P;-SOUND,AA62-00045A,FMG	S.N.A
...	M2893	BP39-00054J	LEAD CONNECTOR;P60A,UL1007#26,UL/CSA,11P		...	T0522	0205-001153	GREASE-SILICON;SC102,JAPAN,-	S.N.A
...	M2893	BP39-00142A	LEAD CONNECTOR;HLP5063WX,UL1007#22,UL/CS		...	M0081	6003-000335	SCREW-TAPTITE;RH,+2S,M3,L8,ZPC(YEL),SWR	S.N.A
...	T0015	BP64-00386A	KNOB CONTROL-ASSY;43T9,ABS,HB,GRY	S.N.A	...	T0175	AA62-00045A	HEAT SINK-PS;-,-,T1.0,-,DREAM,-,-,-,-	S.N.A
...	...	BP61-00442A	GUIDE-KNOB CONTROL;43T9,ABS,HB,GRY,VACU	S.N.A	...	...	0402-000231	DIODE-RECTIFIER;FMG-G265,600V,4A,TO-220F	
...	T0022	BP64-00327A	KNOB CONTROL;43T9,ABS,HB,GR503,SVM3012	S.N.A	...	Q433	AA96-00243H	ASSY HEAT SINK P;-POWER,AA62-00045A,KSD	S.N.A
...	...	BP97-00600A	ASSY AUTO-SIDE CONTROL;SVP-42W5HL,P59A,	S.N.A	...	T0522	0205-001153	GREASE-SILICON;SC102,JAPAN,-	S.N.A
...	RY04	2001-000429	R-CARBON;1K0HM,5%,1/8W,AA,TP,1.8X3.2MM		...	M0081	6003-000335	SCREW-TAPTITE;RH,+2S,M3,L8,ZPC(YEL),SWR	S.N.A
...	RY05	2001-000832	R-CARBON;510OHM,5%,1/8W,AA,TP,1.8X3.2MM		...	T0175	AA62-00045A	HEAT SINK-PS;-,-,T1.0,-,DREAM,-,-,-,-	S.N.A
...	RY03	2001-000832	R-CARBON;510OHM,5%,1/8W,AA,TP,1.8X3.2MM		...	...	0502-000298	TR-POWER;KSD73,NPN,30000mW,TO-220,TP,120	
...	RY02	2001-000832	R-CARBON;510OHM,5%,1/8W,AA,TP,1.8X3.2MM		...	Q371	AA96-00244H	ASSY HEAT SINK P;SCREW,ZSC4636(2),CRT,SL	S.N.A
...	RY06	2001-000924	R-CARBON;680OHM,5%,1/8W,AA,TP,1.8X3.2MM		...	T0522	0205-001153	GREASE-SILICON;SC102,JAPAN,-	S.N.A
...	SWY08	3404-000243	SWITCH-TACT;15V,20mA,160gf+-50gf,6x3.4mm		...	M0081	6003-000335	SCREW-TAPTITE;RH,+2S,M3,L8,ZPC(YEL),SWR	S.N.A
...	SWY07	3404-000243	SWITCH-TACT;15V,20mA,160gf+-50gf,6x3.4mm		...	T0175	AA62-00046A	HEAT SINK-PS;-,-,T1.0,-,D1(DREAM) 60X25X	S.N.A
...	SWY06	3404-000243	SWITCH-TACT;15V,20mA,160gf+-50gf,6x3.4mm		...	...	0502-000442	TR-POWER;ZSC4636R,NPN,2W,TO-220,ST,10-	
...	SWY05	3404-000243	SWITCH-TACT;15V,20mA,160gf+-50gf,6x3.4mm		...	△	D801S	ASSY HEAT SINK P;-BRIDGE,AA62-00052A,RB	S.N.A
...	SWY04	3404-000243	SWITCH-TACT;15V,20mA,160gf+-50gf,6x3.4mm		...	T0522	0205-001153	GREASE-SILICON;SC102,JAPAN,-	S.N.A
...	SWY03	3404-000243	SWITCH-TACT;15V,20mA,160gf+-50gf,6x3.4mm		...	M0081	6003-000335	SCREW-TAPTITE;RH,+2S,M3,L8,ZPC(YEL),SWR	S.N.A
...	SWY01	3404-000243	SWITCH-TACT;15V,20mA,160gf+-50gf,6x3.4mm		...	T0063	AA60-30003A	WASHER;T1.5,SBHG-1	S.N.A
...	M0119	BP41-00102A	PCB CONTROL;SVP-42Q2,FR-1,1L,A,1.6T,245*	S.N.A	...	T0175	AA62-00052A	HEAT SINK-PS;-,-,SILVER,HOLE 18.5mm,2	S.N.A
...	T0097	BP94-01163A	ASSY PCB MISC-PWR DEF;HCP4252,P59A		...	...	0402-000549	DIODE-BRIDGE;RBV606,600V,6A,SIP-4,BK	
...	T0245	0202-001366	SOLDER-WIRE FLUX;-RS60S,D1.2,63Sn/37Pb,	S.N.A	...	IC802	AA96-00475B	ASSY HEAT SINK P;SILICON-OIL,FMLG-12S(4)	S.N.A
△	DS801S	0402-000102	DIODE-BRIDGE;D2SB60,200V,1.5A,SIP,4,ST		...	T0522	0205-001153	GREASE-SILICON;SC102,JAPAN,-	S.N.A
...	D464	0402-000233	DIODE-RECTIFIER;FML-G12S,200V,5A,-,-		...	M0081	6003-000334	SCREW-TAPTITE;RH,+2S,M3,L6,ZPC(YEL),SWR	S.N.A
...	D803	0402-000250	DIODE-RECTIFIER;RG4C,1KV,2A,-,-		...	T0098	AA62-00066B	HEAT SINK;D2,D3,AL,T1.0,89,70,-,AA62-00	S.N.A
...	Q852	0502-000405	TR-POWER;KSC5039,NPN,70000MW,TO-220,BK,1		...	...	0402-000233	DIODE-RECTIFIER;FML-G12S,200V,5A,-,-	
...	Q409	0505-001723	FET-SILICON;FQP630TSTU,N,200V,9A,0.40HM,		...	IC012	1203-000165	IC-POSI.ADJUST REG.;78R12,TO-220,4P,-,PL	
...	Q409	0505-001723	FET-SILICON;FQP630TSTU,N,200V,9A,0.40HM,		...	IC301	AA96-00623A	ASSY HEAT SINK P;-POWER,AA62-00056A,LA7	S.N.A
△	PC801S	0604-001032	PHOTO-COUPLER;TR,170-260%,300mW,DIP-4,ST		...	T0522	0205-001153	GREASE-SILICON;SC102,JAPAN,-	S.N.A
△	PC802S	0604-001032	PHOTO-COUPLER;TR,170-260%,300mW,DIP-4,ST		...	M0081	6003-000334	SCREW-TAPTITE;RH,+2S,M3,L6,ZPC(YEL),SWR	S.N.A
...	IC811	1203-000119	IC-NEGA.FIXED REG.;7905,TO-220,3P,-,PLAS		...	T0175	AA62-00056A	HEAT SINK-PS;-,-,T1.0,-,41*35*70,D2,-,-	S.N.A
...	IC012	1203-000165	IC-POSI.ADJUST REG.;78R12,TO-220,4P,-,PL		...	T0088	1204-000517	IC-VERTICAL DEF.;LA7845,SIP,7P,-,PLASTIC	
...	T0087	1203-001006	IC-POSI.FIXED REG.;78R05,TO-220F,4P,-,PL		...	Q431	BH99-00033H	ASSY HEAT/SINK;BH62-00038A,SPRING,FJL692	S.N.A
...	T0086	1203-002177	IC-PWM CONTROLLER;VIPER12ADIP,DIP,8P,300		...	T0081	BH62-00038B	HEAT SINK-FBT;COMMANDO,A1050S,T2.0,85*80	S.N.A
△	CY801S	2201-000963	C-CERAMIC,DISC;1NF,20%,400V,Y5U,TP,9.5X6		...	T0239	BH73-00028A	SILICON/RUBBER-HS.CDT ALL,SILICON,26*33*	S.N.A
△	CY802S	2201-000963	C-CERAMIC,DISC;1NF,20%,400V,Y5U,TP,9.5X6		...	CIS1	0205-001154	OIL-SILICON;G746,-,-	S.N.A
△	CY803S	2201-000987	C-CERAMIC,DISC;2.2NF,20%,400V,Y5U,BK,12		...	M0081	6003-000333	SCREW-TAPTITE;RH,+2S,M3,L10,ZPC(YEL),SW	S.N.A
△	CY804S	2201-000987	C-CERAMIC,DISC;2.2NF,20%,400V,Y5U,BK,12		...	T0105	AA60-30001A	WASHER-PLATE;M3,ID3.5,15X8.5,T1.0,SBHG	S.N.A
△	CR471S	2301-001091	C-FILM,LEAD-PPF;470NF,5%,400V,BK,26X21.5		...	CIS	0402-001296	DIODE-RECTIFIER;FMP-3FU,1.5KV,5A,DO-201A	
△	CR430S	2301-001343	C-FILM,LEAD-PPF;3.9NF,5%,2KV,BK,29X9.5X1		...	...	0502-001230	TR-POWER;FJL6920YD,TU,N,200000MW,TO-264 F	
...	C811	2301-001418	C-FILM,LEAD-PPF;1.5nF,5%,2KV,TP,29x7x13		△	TS811S	BN26-00004A	TRANS SWITCHING-DPMS;EE 2020,LCD-TV,400V	
...	C871	2301-001539	C-FILM,LEAD-PPF;1000NF,5%,400V,BK,28*25*		△	T801S	BP26-00002B	TRANS SWITCHING-MAIN;VD074-04,CHAMP,400V	
△	CR431S	2301-001583	C-FILM,LEAD-PPF;3NF,5%,2KV,BK,25X13X7MM,		△	T444S	BP26-00012A	TRANS FBT;FFA61512L,PJT,TV,0.37mH,7%,F	
△	CR436S	2306-000235	C-FILM,LEAD-PPF;560NF,5%,400V,BK,26X22.5		...	M2893	BP39-00017A	LEAD CONNECTOR;P55A/HCM4215W,UL1617#22,U	
△	CR473S	2306-000322	C-FILM,LEAD-PPF;12NF,5%,1.6KV,BK,29X20.5		...	T0121	3301-001201	CORE-FERRITE;AE,21x11x32mm,1500,280G	
...	C491	2306-000326	C-FILM,LEAD-PPF;4.7NF,5%,1.6KV,BK,28.5X1		...	M2893	BP39-00092A	LEAD CONNECTOR;P58A,1007#26,UL/CSA,15P,1	
△	CR474S	2306-000326	C-FILM,LEAD-PPF;4.7NF,5%,1.6KV,BK,28.5X1		...	M2893	BP39-00092A	LEAD CONNECTOR;P58A,1007#26,UL/CSA,15P,1	
...	C803	2401-000701	C-AL;2200uF,20%,250V,GP,BK,35x70mm,10		...	M2893	BP39-00126A	LEAD CONNECTOR;CHAMP,UL1007#26,UL/CSA,9P	
...	C472	2401-000787	C-AL;220uF,20%,160V,GP,BK,16x31.5mm,7.5		...	CN900	BP95-00392A	ASSY SUB PCB-HV MOD;CHAMP,J59A,HV MOD	
...	C451	2401-000787	C-AL;220uF,20%,160V,GP,BK,16x31.5mm,7.5		...	T0245	0202-001366	SOLDER-WIRE FLUX;-RS60S,D1.2,63Sn/37Pb,	S.N.A

Electrical Part List

Level	Loc.No.	Code No.	Description;Specification	Remark	Level	Loc.No.	Code No.	Description;Specification	Remark
....4	DU410	1201-000191	IC-OP AMP;4558,DIP,8P,300MIL,DUAL,20V/mV		....5	R423	2001-000613	R-CARBON;3.9KOHM,5%,1/8W,AA,TP,1.8X3.2MM	
....4	IC012	1203-000162	IC-POS1.ADJUST REG.,;317,TO-220,3P,-,PLAS		....5	R451	2001-000613	R-CARBON;3.9KOHM,5%,1/8W,AA,TP,1.8X3.2MM	
....4	T0086	1203-000610	IC-PWM CONTROLLER;494,DIP,16P,300MIL,PLA		....5	R461	2001-000613	R-CARBON;3.9KOHM,5%,1/8W,AA,TP,1.8X3.2MM	
....4	CN906	3711-002705	CONNECTOR-HEADER;NOWALL,7P,1R,2.5mm,ANGL		....5	R455	2001-000674	R-CARBON;360OHM,5%,1/8W,AA,TP,1.8X3.2MM	
....4	CN906	3711-003215	CONNECTOR-HEADER;NOWALL,18P,1R,2.5MM,ANG		....5	R414	2001-000734	R-CARBON;4.7KOHM,5%,1/8W,AA,TP,1.8X3.2MM	
....4	M0107	AA61-10068A	BRACKET-PCB;M2160,SPT,TO.3,-,-,-,-	S.N.A	....5	R415	2001-000734	R-CARBON;4.7KOHM,5%,1/8W,AA,TP,1.8X3.2MM	
....4	M0107	AA61-10068A	BRACKET-PCB;M2160,SPT,TO.3,-,-,-,-	S.N.A	....5	R446	2001-000734	R-CARBON;4.7KOHM,5%,1/8W,AA,TP,1.8X3.2MM	
....4	T0238	BP97-00752A	ASSY AUTO;SP43T8HEX/XSG,J59A	S.N.A	....5	R449	2001-000734	R-CARBON;4.7KOHM,5%,1/8W,AA,TP,1.8X3.2MM	
....5	D385	0401-000005	DIODE-SWITCHING;1N4148,75V,150MA,DO-35,T		....5	R494	2001-000734	R-CARBON;4.7KOHM,5%,1/8W,AA,TP,1.8X3.2MM	
....5	D386	0401-000005	DIODE-SWITCHING;1N4148,75V,150MA,DO-35,T		....5	R454	2001-000761	R-CARBON;430OHM,5%,1/8W,AA,TP,1.8X3.2MM	
....5	D438	0401-000005	DIODE-SWITCHING;1N4148,75V,150MA,DO-35,T		....5	R456	2001-000761	R-CARBON;430OHM,5%,1/8W,AA,TP,1.8X3.2MM	
....5	D439	0401-000005	DIODE-SWITCHING;1N4148,75V,150MA,DO-35,T		....5	R386	2001-000786	R-CARBON;47KOHM,5%,1/8W,AA,TP,1.8X3.2MM	
....5	D440	0401-000005	DIODE-SWITCHING;1N4148,75V,150MA,DO-35,T		....5	R489	2001-000800	R-CARBON;5.1KOHM,5%,1/8W,AA,TP,1.8X3.2MM	
....5	D441	0401-000005	DIODE-SWITCHING;1N4148,75V,150MA,DO-35,T		....5	R490	2001-000800	R-CARBON;5.1KOHM,5%,1/8W,AA,TP,1.8X3.2MM	
....5	D442	0401-000005	DIODE-SWITCHING;1N4148,75V,150MA,DO-35,T		....5	R443	2001-000812	R-CARBON;5.6KOHM,5%,1/8W,AA,TP,1.8X3.2MM	
....5	D443	0401-000005	DIODE-SWITCHING;1N4148,75V,150MA,DO-35,T		....5	R475	2001-000812	R-CARBON;5.6KOHM,5%,1/8W,AA,TP,1.8X3.2MM	
....5	D477	0401-000005	DIODE-SWITCHING;1N4148,75V,150MA,DO-35,T		....5	R444	2001-000890	R-CARBON;5.6KOHM,5%,1/8W,AA,TP,1.8X3.2MM	
....5	D478	0401-000005	DIODE-SWITCHING;1N4148,75V,150MA,DO-35,T		....5	R487	2001-000924	R-CARBON;680OHM,5%,1/8W,AA,TP,1.8X3.2MM	
....5	D479	0401-000005	DIODE-SWITCHING;1N4148,75V,150MA,DO-35,T		....5	R482	2001-001031	R-CARBON;91KOHM,5%,1/8W,AA,TP,1.8X3.2MM	
△	DR401S	0401-000005	DIODE-SWITCHING;1N4148,75V,150MA,DO-35,T		....5	R413	2001-001088	R-CARBON(S);1KOHM,5%,1/2W,AA,TP,2.4X6.4M	
△	DR402S	0401-000005	DIODE-SWITCHING;1N4148,75V,150MA,DO-35,T		....5	R441	2001-001088	R-CARBON(S);1KOHM,5%,1/2W,AA,TP,2.4X6.4M	
....5	D384	0402-000132	DIODE-RECTIFIER;1N4004,400V,1A,DO-41,TP		....5	R409B	2001-001111	R-CARBON(S);240OHM,5%,1/2W,AA,TP,2.4X6.4	
....5	D435	0402-000132	DIODE-RECTIFIER;1N4004,400V,1A,DO-41,TP		....5	R412	2001-001111	R-CARBON(S);240OHM,5%,1/2W,AA,TP,2.4X6.4	
....5	D480	0402-000132	DIODE-RECTIFIER;1N4004,400V,1A,DO-41,TP		....5	R410	2001-001155	R-CARBON(S);5.6KOHM,5%,1/2W,AA,TP,2.4X6.4	
....5	D484	0402-000132	DIODE-RECTIFIER;1N4004,400V,1A,DO-41,TP		....5	R433	2001-001155	R-CARBON(S);5.6KOHM,5%,1/2W,AA,TP,2.4X6.4	
....5	D472	0402-000546	DIODE-RECTIFIER;TVR10G,400V,1.0A,DO-41,T		....5	R459	2001-001192	R-CARBON(S);820OHM,5%,1/2W,AA,TP,2.4X6.4	
....5	D387	0403-000719	DIODE-ZENER;MTZJ.7.5B,7.11-7.44V,500MW,DO		....5	R460	2003-002044	R-METAL OXIDE(S);100ohm,5%,1W,AF,TP,2.5x	
....5	DZ473	0403-000720	DIODE-ZENER;MTZJ9.1B,8.57-9.01V,500MW,DO		....5	R421	2003-002159	R-METAL OXIDE;150OHM,5%,1W,AG,TP,4.3X12M	
△	DZ482S	0403-000720	DIODE-ZENER;MTZJ9.1B,8.57-9.01V,500MW,DO		....5	R409	2004-000481	R-METAL;2.4Kohm,1%,1/4W,AA,TP,2.4x6.4m	
....5	DZ483	0403-000720	DIODE-ZENER;MTZJ9.1B,8.57-9.01V,500MW,DO		....5	R407	2004-001377	R-METAL(S);120Kohm,1%,1/2W,AA,TP,2.4x6.4	
....5	DZ474	0403-000734	DIODE-ZENER;TZP15B,14.7-16.5V,1000MW,DO-		....5	R473	2004-001395	R-METAL(S);330Kohm,2%,1/2W,AA,TP,2.4x6.4	
....5	DZ386	0403-001316	DIODE-ZENER;MTZJ3.0A,2.85-3.07V,500MW,DO		....5	R406	2004-001402	R-METAL(S);6.8Kohm,1%,1/2W,AA,TP,2.4x6.4	
....5	DZ395	0403-001319	DIODE-ZENER;MTZJ4.7C,4.68-4.93V,500MW,DO		△	RR406S	2004-001892	R-METAL(S);162Kohm,1%,1/2W,AA,TP,2.5x6.5	
△	DR404S	0403-001325	DIODE-ZENER;MTZJ15C,14.42-15.02V,500MW,D		△	RR411S	2004-001892	R-METAL(S);162Kohm,1%,1/2W,AA,TP,2.5x6.5	
....5	Q432	0501-000283	TR-SMALL SIGNAL;KSA539,PNP,400mW,TO-92,T		....5	R408	2004-001893	R-METAL(S);22Kohm,1%,1/2W,AA,TP,2.5x6.5m	
....5	Q440	0501-000283	TR-SMALL SIGNAL;KSA539,PNP,400mW,TO-92,T		....5	R471	2004-002011	R-METAL(S);110Kohm,1%,1/2W,AA,TP,2.4x6.4	
....5	Q482	0501-000283	TR-SMALL SIGNAL;KSA539,PNP,400mW,TO-92,T		△	RR403S	2004-004001	R-METAL(S);180Kohm,1%,1/2W,AA,TP,2.5x6.5	
△	QR401S	0501-000283	TR-SMALL SIGNAL;KSA539,PNP,400mW,TO-92,T		△	RR404S	2004-004046	R-METAL(S);430Kohm,1%,1/2W,AA,TP,2.5x6.5	
....5	Q381	0501-000389	TR-SMALL SIGNAL;KSC815,NPN,400mW,TO-92,T		△	RR405S	2004-004046	R-METAL(S);430Kohm,1%,1/2W,AA,TP,2.5x6.5	
....5	Q382	0501-000389	TR-SMALL SIGNAL;KSC815,NPN,400mW,TO-92,T		....5	R485	2008-001137	R-FUSIBLE(S);3.3ohm,5%,1/2W,AF,TP,3.9x10mm	
....5	Q401	0501-000389	TR-SMALL SIGNAL;KSC815,NPN,400mW,TO-92,T		....5	R491	2008-001145	R-FUSIBLE;4.7OHM,5%,1/2W,AF,TP,2.5X6.5MM	
....5	Q402	0501-000389	TR-SMALL SIGNAL;KSC815,NPN,400mW,TO-92,T		....5	R409A	2009-001109	R-TEMPERATURE;240ohm,5%,1/4W,AA,TP,2.3x6	
....5	Q421	0501-000389	TR-SMALL SIGNAL;KSC815,NPN,400mW,TO-92,T		△	RR471S	2103-000454	VR-SEMI;50Kohm,25%,0.3W,SIDE	
....5	Q438	0501-000389	TR-SMALL SIGNAL;KSC815,NPN,400mW,TO-92,T		△	RR402S	2103-001080	VR-SEMI;100KOHM,25%,0.3W,SIDE	
....5	Q439	0501-000389	TR-SMALL SIGNAL;KSC815,NPN,400mW,TO-92,T		....5	C490	2201-000119	C-CERAMIC,DISC;100NF,+80-20%,50V,Y5V,TP	
....5	Q441	0501-000389	TR-SMALL SIGNAL;KSC815,NPN,400mW,TO-92,T		△	CR402S	2201-000146	C-CERAMIC,DISC;0.1NF,5%,50V,SL,TP,5X3.5M	
....5	Q451	0501-000389	TR-SMALL SIGNAL;KSC815,NPN,400mW,TO-92,T		△	CR403S	2201-000146	C-CERAMIC,DISC;0.1NF,5%,50V,SL,TP,5X3.5M	
....5	Q461	0501-000389	TR-SMALL SIGNAL;KSC815,NPN,400mW,TO-92,T		....5	C406	2201-000370	C-CERAMIC,DISC;0.22NF,10%,50V,Y5P,TP,4X3	
....5	Q471	0501-000389	TR-SMALL SIGNAL;KSC815,NPN,400mW,TO-92,T		....5	C405	2201-000558	C-CERAMIC,DISC;0.47NF,10%,50V,Y5P,TP,5X3	
....5	Q481	0501-000389	TR-SMALL SIGNAL;KSC815,NPN,400mW,TO-92,T		....5	C478	2301-000020	C-FILM,LEAD-PEF;27nF,5%,100V,TP,7.3x4x12	
....5	IC012	1203-000002	IC-POS1.ADJUST REG.,;431,TO-92,3P,-,PLAST		....5	C479	2301-000200	C-FILM,LEAD-PEF;2.2nF,5%,200V,TP,11.0x6	
△	RR409S	2001-000005	R-CARBON;390ohm,5%,1/8W,AA,TP,1.8X3.2mm		....5	C404	2301-000356	C-FILM,LEAD-PEF;47nF,5%,50V,TP,7.5x4.0x6	
....5	R416	2001-000006	R-CARBON;2.4KOHM,5%,1/8W,AA,TP,1.8X3.2MM		....5	C412	2301-000383	C-FILM,LEAD-PEF;10nF,5%,50V,TP,6x7x3.2mm	
....5	R387	2001-000009	R-CARBON;20KOHM,5%,1/8W,AA,TP,1.8X3.2MM		....5	C487	2305-000178	C-FILM,LEAD-PEF;10nF,5%,100V,TP,-,5mm	
....5	R474	2001-000009	R-CARBON;20KOHM,5%,1/8W,AA,TP,1.8X3.2MM		....5	C480	2306-000122	C-FILM,LEAD-PEF;100nF,5%,50V,TP,7.3x4.0x	
....5	R384	2001-000011	R-CARBON;75KOHM,5%,1/8W,AA,TP,1.8X3.2MM		....5	C489	2401-000025	C-AL;100uF,20%,16V,GP,TP,6.3x11.5	
....5	R422	2001-000028	R-CARBON(S);100OHM,5%,1/2W,AA,TP,2.4X6.4		....5	C481	2401-000050	C-AL;10uF,20%,16V,GP,TP,5x11.2.5	
....5	R440	2001-000052	R-CARBON(S);3.3KOHM,5%,1/2W,AA,TP,2.4X6.4		....5	C413	2401-000360	C-AL;100uF,20%,50V,GP,TP,8x11.5,5	
....5	R450	2001-000241	R-CARBON;1.5KOHM,5%,1/8W,AA,TP,1.8X3.2MM		....5	C407	2401-000450	C-AL;10uF,20%,25V,WT,TP,5x11.5	
....5	R448	2001-000258	R-CARBON;1.8KOHM,5%,1/8W,AA,TP,1.8X3.2MM		....5	C440	2401-000962	C-AL;22uF,20%,50V,GP,TP,5x11.5	
....5	R495	2001-000262	R-CARBON;1.8MOHM,5%,1/8W,AA,TP,1.8X3.2MM		....5	C492	2401-001026	C-AL;3.3UF,20%,50V,GP,TP,5X11,5	
....5	R445	2001-000273	R-CARBON;100KOHM,5%,1/8W,AA,TP,1.8X3.2MM		△	CR401S	2401-001026	C-AL;3.3UF,20%,50V,GP,TP,5X11,5	
....5	R420	2001-000281	R-CARBON;100OHM,5%,1/8W,AA,TP,1.8X3.2MM		....5	C441	2401-001914	C-AL;1uF,20%,50V,BP,TP,5X11.5	
△	RR410S	2001-000290	R-CARBON;10KOHM,5%,1/8W,AA,TP,1.8X3.2MM		....5	C476	2401-001989	C-AL;4.7uF,20%,50V,BP,TP,5X11,5	
....5	R418	2001-000347	R-CARBON;13KOHM,5%,1/8W,AA,TP,1.8X3.2MM		....5	C488	2401-002144	C-AL;47uF,20%,16V,GP,TP,5x11.5	
....5	R447	2001-000429	R-CARBON;1KOHM,5%,1/8W,AA,TP,1.8X3.2MM		....5	C456	2401-002619	C-AL;47uF,20%,25V,GP,TP,5x11.5	
....5	R483	2001-000429	R-CARBON;1KOHM,5%,1/8W,AA,TP,1.8X3.2MM		....5	OO	BP41-00145C	PCB-HV;HCP4252W,FR-1,1L,C,1.6T,245*245,	S.N.A
....5	R484	2001-000429	R-CARBON;1KOHM,5%,1/8W,AA,TP,1.8X3.2MM		3	IC805	BP96-00020B	ASSY HEAT SINK P;H/S TR,SCREW,KA7808,OIL	S.N.A
△	RR407S	2001-000429	R-CARBON;1KOHM,5%,1/8W,AA,TP,1.8X3.2MM		....4	CIS1	0205-001154	OIL-SILICON;G746,-,-	S.N.A
△	RR408S	2001-000449	R-CARBON;2.2KOHM,5%,1/8W,AA,TP,1.8X3.2MM		....4	M0081	6003-000335	SCREW-TAPTITE,RH,+ 2S,M3,L6,ZPC(YEL),SWR	S.N.A
....5	R492	2001-000508	R-CARBON;220KOHM,5%,1/8W,AA,TP,1.8X3.2MM		....4	T0175	AA62-00045A	HEAT SINK-PS;-,-,T1.0,-,-,DREAM,-,-,-,-	S.N.A
....5	R417	2001-000515	R-CARBON;220OHM,5%,1/8W,AA,TP,1.8X3.2MM		....4	T0087	1203-000293	IC-POS1.FIXED REG.;7808,TO-220,3P,-,PLAS	
....5	R388	2001-000522	R-CARBON;22KOHM,5%,1/8W,AA,TP,1.8X3.2MM		3	IC804	BP96-00020G	ASSY HEAT SINK P;AA62-00045B,TAPTITE,SI-	S.N.A
....5	R397	2001-000554	R-CARBON;270OHM,5%,1/8W,AA,TP,1.8X3.2MM		....4	T0522	0205-001153	GREASE-SILICON;SC102,JAPAN,-	S.N.A
....5	R385	2001-000577	R-CARBON;2KOHM,5%,1/8W,AA,TP,1.8X3.2MM		....4	M0081	6003-000334	SCREW-TAPTITE,RH,+ 2S,M3,L6,ZPC(YEL),SWR	S.N.A
....5	R389	2001-000577	R-CARBON;2KOHM,5%,1/8W,AA,TP,1.8X3.2MM		....4	T0098	AA62-00045B	HEAT SINK;COMMANDO AL1050,T1.0,H45.0	S.N.A
....5	R458	2001-000577	R-CARBON;2KOHM,5%,1/8W,AA,TP,1.8X3.2MM		....4	IC012	1203-000203	IC-POS1.ADJUST REG.;3050,TO-220,5P,-,PLA	

Level	Loc.No.	Code No.	Description;Specification	Remark	Level	Loc.No.	Code No.	Description;Specification	Remark
...	IC806	BP96-00020Q	ASSY HEAT SINK P;AA62-00045A,SCREW,KA278	S.N.A	....	Q362	0501-000366	TR-SMALL SIGNAL;KSC2330,Y,NPN,1W,TO-92L	
....	CIS1	0205-001154	OIL-SILICON;G746,-,-	S.N.A	....	Q301	0501-000389	TR-SMALL SIGNAL;KSC815,NPN,400mW,TO-92,T	
....	M0081	6003-000335	SCREW-TAPTITE;RH,+2S,M3,L8,ZPC(YEL),SWR	S.N.A	....	Q801	0501-000389	TR-SMALL SIGNAL;KSC815,NPN,400mW,TO-92,T	
....	T0175	AA62-00045A	HEAT SINK-PS;-,-,T1.0,-,-,DREAM,-,-,-,-,	S.N.A	....	QS803	0501-000389	TR-SMALL SIGNAL;KSC815,NPN,400mW,TO-92,T	
....	T0087	1203-002003	IC-POS;FIXED REG.;278R09,TO-220,4P,-,PL		....	IC012	1203-000002	IC-POS;ADJUST REG.;431,TO-92,3P,-,PLAST	
....	IC807	BP96-00020R	ASSY HEAT SINK P;AA62-00045A,SCREW,KA278	S.N.A	....	R303	2001-000016	R-CARBON(S);10OHM,5%,1/2W,AA,TP,2.4X6.4MM	
....	IC808	BP96-00020R	ASSY HEAT SINK P;AA62-00045A,SCREW,KA278	S.N.A	....	R470	2001-000028	R-CARBON(S);100OHM,5%,1/2W,AA,TP,2.4X6.4	
....	IC809	BP96-00020R	ASSY HEAT SINK P;AA62-00045A,SCREW,KA278	S.N.A	....	R808	2001-000052	R-CARBON(S);3.3KOHM,5%,1/2W,AA,TP,2.4X6.4	
....	CIS1	0205-001154	OIL-SILICON;G746,-,-	S.N.A	....	R831	2001-000066	R-CARBON(S);10KOHM,5%,1/2W,AA,TP,2.4X6.4	
....	M0081	6003-000335	SCREW-TAPTITE;RH,+2S,M3,L8,ZPC(YEL),SWR	S.N.A	....	R833	2001-000066	R-CARBON(S);10KOHM,5%,1/2W,AA,TP,2.4X6.4	
....	T0175	AA62-00045A	HEAT SINK-PS;-,-,T1.0,-,-,DREAM,-,-,-,-,	S.N.A	....	RS807	2001-000066	R-CARBON(S);10KOHM,5%,1/2W,AA,TP,2.4X6.4	
....	IC062	1203-001978	IC-MULTI REG.;KA278RA05,TO-220F,4P,-,PLA		....	RS808	2001-000066	R-CARBON(S);10KOHM,5%,1/2W,AA,TP,2.4X6.4	
....	Q473	BP96-000335A	ASSY HEAT SINK P;BP62-00035A,SCREW,2SC41	S.N.A	....	R438	2001-000085	R-CARBON(S);10KOHM,5%,1/2W,AA,TP,1.8X3.2MM	
....	CIS1	0205-001154	OIL-SILICON;G746,-,-	S.N.A	....	R439	2001-000085	R-CARBON(S);10KOHM,5%,1/2W,AA,TP,2.4X6.4	
....	M0081	6003-000333	SCREW-TAPTITE;RH,+2S,M3,L10,ZPC(YEL),SW	S.N.A	....	RS804	2001-000085	R-CARBON(S);100KOHM,5%,1/2W,AA,TP,2.4X6.4	
....	T0105	AA60-30001A	WASHER-PLATE;M3,LD3.5,15X8.5,T1.0,SBHG	S.N.A	....	R366	2001-000109	R-CARBON(S);470OHM,5%,1/2W,AA,TP,2.4X6.4	
....	T0175	BP62-00035A	HEAT SINK-PS;P57A,A1050S,T2.0,12.5,66,WH	S.N.A	....	R807	2001-000109	R-CARBON(S);470OHM,5%,1/2W,AA,TP,2.4X6.4	
....	CIS	0502-001100	TR-POWER;2SC4125,NPN,70W,TO-3PML,BK,8-		....	R823	2001-000109	R-CARBON(S);470OHM,5%,1/2W,AA,TP,2.4X6.4	
....	Q409	0505-001722	FET-SILICON;IRFS640B,N,200V,18A,0.18OHM,		....	R488	2001-000273	R-CARBON;100KOHM,5%,1/8W,AA,TP,1.8X3.2MM	
....	IC801	BP96-00419C	ASSY HEAT SINK P;BP62-00050A,SCREW,STR-X	S.N.A	....	R301	2001-000290	R-CARBON;10KOHM,5%,1/8W,AA,TP,1.8X3.2MM	
....	CIS1	0205-001154	OIL-SILICON;G746,-,-	S.N.A	....	R812	2001-000290	R-CARBON;10KOHM,5%,1/8W,AA,TP,1.8X3.2MM	
....	T0175	BP62-00050A	HEAT SINK-PS;SPV-43W6,A1050S,T2.0,80,108	S.N.A	....	R381	2001-000429	R-CARBON;1KOHM,5%,1/8W,AA,TP,1.8X3.2MM	
....	M0081	6003-000333	SCREW-TAPTITE;RH,+2S,M3,L10,ZPC(YEL),SW	S.N.A	....	R423	2001-000429	R-CARBON;1KOHM,5%,1/8W,AA,TP,1.8X3.2MM	
....	IC063	BP13-00004A	IC HYBRID;STR-X6459A,COMMANDO,7,-20 TO +		....	RZ111	2001-000563	R-CARBON;27KOHM,5%,1/8W,AA,TP,1.8X3.2MM	
....	T0238	BP97-00768A	ASSY AUTO;HCP4252,P59A	S.N.A	....	RZ112	2001-000563	R-CARBON;27KOHM,5%,1/8W,AA,TP,1.8X3.2MM	
....	D301	0401-000005	DIODE-SWITCHING;1N4148,75V,150MA,DO-35,T		....	RZ133	2001-000563	R-CARBON;27KOHM,5%,1/8W,AA,TP,1.8X3.2MM	
....	D361	0401-000005	DIODE-SWITCHING;1N4148,75V,150MA,DO-35,T		....	RZ134	2001-000563	R-CARBON;27KOHM,5%,1/8W,AA,TP,1.8X3.2MM	
....	D362	0401-000005	DIODE-SWITCHING;1N4148,75V,150MA,DO-35,T		....	RZ135	2001-000563	R-CARBON;27KOHM,5%,1/8W,AA,TP,1.8X3.2MM	
....	D372	0401-000005	DIODE-SWITCHING;1N4148,75V,150MA,DO-35,T		....	RZ113	2001-000591	R-CARBON;3.3KOHM,5%,1/8W,AA,TP,1.8X3.2MM	
....	D374	0401-000005	DIODE-SWITCHING;1N4148,75V,150MA,DO-35,T		....	RZ115	2001-000591	R-CARBON;3.3KOHM,5%,1/8W,AA,TP,1.8X3.2MM	
....	DS802	0401-000005	DIODE-SWITCHING;1N4148,75V,150MA,DO-35,T		....	RZ117	2001-000591	R-CARBON;3.3KOHM,5%,1/8W,AA,TP,1.8X3.2MM	
....	DS805	0401-000005	DIODE-SWITCHING;1N4148,75V,150MA,DO-35,T		....	RZ136	2001-000591	R-CARBON;3.3KOHM,5%,1/8W,AA,TP,1.8X3.2MM	
....	D802	0401-000006	DIODE-SWITCHING;BAV21,250V,200MA,DO-35,T		....	RZ138	2001-000591	R-CARBON;3.3KOHM,5%,1/8W,AA,TP,1.8X3.2MM	
....	D806	0401-000006	DIODE-SWITCHING;BAV21,250V,200MA,DO-35,T		....	RZ140	2001-000591	R-CARBON;3.3KOHM,5%,1/8W,AA,TP,1.8X3.2MM	
....	DS803	0401-000006	DIODE-SWITCHING;BAV21,250V,200MA,DO-35,T		....	R376	2001-000613	R-CARBON;3.3KOHM,5%,1/8W,AA,TP,1.8X3.2MM	
....	DS804	0401-000006	DIODE-SWITCHING;BAV21,250V,200MA,DO-35,T		....	R362	2001-000660	R-CARBON;33KOHM,5%,1/8W,AA,TP,1.8X3.2MM	
....	D501	0402-000132	DIODE-RECTIFIER;1N4004,400V,1A,DO-41,TP		....	R305	2001-000674	R-CARBON;360OHM,5%,1/8W,AA,TP,1.8X3.2MM	
....	D805	0402-000132	DIODE-RECTIFIER;1N4004,400V,1A,DO-41,TP		....	R363	2001-000723	R-CARBON;4.3KOHM,5%,1/8W,AA,TP,1.8X3.2MM	
....	D807	0402-000132	DIODE-RECTIFIER;1N4004,400V,1A,DO-41,TP		....	R820	2001-000734	R-CARBON;4.7KOHM,5%,1/8W,AA,TP,1.8X3.2MM	
....	D373	0402-000243	DIODE-RECTIFIER;RC2-V1,2KV,0.2A,DO-201,T		....	R824	2001-000739	R-CARBON;4.7MOHM,5%,1/8W,AA,TP,1.8X3.2MM	
....	D415	0402-000493	DIODE-RECTIFIER;1R5GU41,400V,1.5A,DO-15L		....	R826	2001-000739	R-CARBON;4.7MOHM,5%,1/8W,AA,TP,1.8X3.2MM	
....	D451	0402-000534	DIODE-RECTIFIER;RG10V,400V,1.2A,DO-201,T		....	R828	2001-000739	R-CARBON;4.7MOHM,5%,1/8W,AA,TP,1.8X3.2MM	
....	D455	0402-000534	DIODE-RECTIFIER;RG10V,400V,1.2A,DO-201,T		....	R830	2001-000739	R-CARBON;4.7MOHM,5%,1/8W,AA,TP,1.8X3.2MM	
....	D433	0402-000537	DIODE-RECTIFIER;RH1A,600V,0.6A,DO-204AC		....	R834	2001-000739	R-CARBON;4.7MOHM,5%,1/8W,AA,TP,1.8X3.2MM	
....	D413	0402-000540	DIODE-RECTIFIER;RU20A,600V,1.5A,-,TP		....	R302	2001-000761	R-CARBON;430OHM,5%,1/8W,AA,TP,1.8X3.2MM	
....	D302	0402-000546	DIODE-RECTIFIER;TVR10G,400V,1.0A,DO-41,T		....	RZ110	2001-000800	R-CARBON;5.1KOHM,5%,1/8W,AA,TP,1.8X3.2MM	
....	D431	0402-000546	DIODE-RECTIFIER;TVR10G,400V,1.0A,DO-41,T		....	RZ114	2001-000857	R-CARBON;560OHM,5%,1/8W,AA,TP,1.8X3.2MM	
....	D474	0402-000546	DIODE-RECTIFIER;TVR10G,400V,1.0A,DO-41,T		....	RZ116	2001-000857	R-CARBON;560OHM,5%,1/8W,AA,TP,1.8X3.2MM	
....	D453	0402-001286	DIODE-RECTIFIER;RP1H,2000V,0.1A,TO-3P,TP		....	RZ118	2001-000857	R-CARBON;560OHM,5%,1/8W,AA,TP,1.8X3.2MM	
....	DZ151	0403-000699	DIODE-ZENER;TZP27B,27-30.8V,1000MW,DO-41		....	RZ137	2001-000857	R-CARBON;560OHM,5%,1/8W,AA,TP,1.8X3.2MM	
....	DZ152	0403-000699	DIODE-ZENER;TZP27B,27-30.8V,1000MW,DO-41		....	RZ139	2001-000857	R-CARBON;560OHM,5%,1/8W,AA,TP,1.8X3.2MM	
....	DZ301	0403-000699	DIODE-ZENER;TZP27B,27-30.8V,1000MW,DO-41		....	RZ141	2001-000857	R-CARBON;560OHM,5%,1/8W,AA,TP,1.8X3.2MM	
....	DZ303	0403-000699	DIODE-ZENER;TZP27B,27-30.8V,1000MW,DO-41		....	R364	2001-000938	R-CARBON;680OHM,5%,1/8W,AA,TP,1.8X3.2MM	
....	DZ414	0403-000701	DIODE-ZENER;TZP5.1A,5%,1000MW,DO-41,TP		....	R473	2001-001043	R-CARBON(S);0OHM,5%,1/2W,AA,TP,2.4X6.4MM	
....	DZ801	0403-000704	DIODE-ZENER;TZP7.5B,7.5-8.4V,1000MW,DO-4		....	R474	2001-001043	R-CARBON(S);0OHM,5%,1/2W,AA,TP,2.4X6.4MM	
....	DZ807	0403-000704	DIODE-ZENER;TZP7.5B,7.5-8.4V,1000MW,DO-4		....	R814	2001-001050	R-CARBON(S);1.5KOHM,5%,1/2W,AA,TP,2.4X6.4	
....	DZ371	0403-000708	DIODE-ZENER;MTZJ13B,12.55-13.21V,500MW,D		....	R818	2001-001050	R-CARBON(S);1.5KOHM,5%,1/2W,AA,TP,2.4X6.4	
....	DZ803	0403-000716	DIODE-ZENER;MTZJ4.7B,4.59-4.77V,500MW,DO		....	R367	2001-001065	R-CARBON(S);110KOHM,5%,1/2W,AA,TP,2.4X6.4	
....	DZ304	0403-000734	DIODE-ZENER;TZP15B,14.7-16.5V,1000MW,DO-		....	R368	2001-001065	R-CARBON(S);110KOHM,5%,1/2W,AA,TP,2.4X6.4	
....	DZ305	0403-000734	DIODE-ZENER;TZP15B,14.7-16.5V,1000MW,DO-		....	R369	2001-001065	R-CARBON(S);110KOHM,5%,1/2W,AA,TP,2.4X6.4	
....	DZ806	0403-001167	DIODE-ZENER;MTZJ30D,29.02-30.51V,500MW,D		....	R369A	2001-001065	R-CARBON(S);110KOHM,5%,1/2W,AA,TP,2.4X6.4	
....	DZ413	0403-001319	DIODE-ZENER;MTZJ4.7C,4.68-4.93V,500MW,DO		....	R370	2001-001065	R-CARBON(S);110KOHM,5%,1/2W,AA,TP,2.4X6.4	
....	DZS807	0403-001325	DIODE-ZENER;MTZJ15C,14.42-15.02V,500MW,DO		....	R371	2001-001065	R-CARBON(S);110KOHM,5%,1/2W,AA,TP,2.4X6.4	
....	DZ400	0403-001327	DIODE-ZENER;MTZJ18A,16.22-17.06V,500MW,D		....	R821	2001-001077	R-CARBON(S);150OHM,5%,1/2W,AA,TP,2.4X6.4	
....	DZ481	0403-001327	DIODE-ZENER;MTZJ18A,16.22-17.06V,500MW,D		....	RS803	2001-001077	R-CARBON(S);150OHM,5%,1/2W,AA,TP,2.4X6.4	
....	DZ482	0403-001327	DIODE-ZENER;MTZJ18A,16.22-17.06V,500MW,D		....	R810	2001-001088	R-CARBON(S);1KOHM,5%,1/2W,AA,TP,2.4X6.4M	
....	DZS808	0403-001327	DIODE-ZENER;MTZJ18A,16.22-17.06V,500MW,D		....	R815	2001-001088	R-CARBON(S);1KOHM,5%,1/2W,AA,TP,2.4X6.4M	
....	DZ306	0403-001328	DIODE-ZENER;MTZJ22A,20.15-21.2V,500MW,DO		....	RS805	2001-001088	R-CARBON(S);1KOHM,5%,1/2W,AA,TP,2.4X6.4M	
....	DZ307	0403-001328	DIODE-ZENER;MTZJ22A,20.15-21.2V,500MW,DO		....	RS806	2001-001088	R-CARBON(S);1KOHM,5%,1/2W,AA,TP,2.4X6.4M	
....	DZS805	0403-001328	DIODE-ZENER;MTZJ22A,20.15-21.2V,500MW,DO		....	R361	2001-001097	R-CARBON(S);2.4KOHM,5%,1/2W,AA,TP,2.4X6.4	
....	DZS804	0403-001330	DIODE-ZENER;MTZJ30A,26.99-28.39V,500MW,D		....	R809	2001-001108	R-CARBON(S);22KOHM,5%,1/2W,AA,TP,2.4X6.4	
....	DS806	0404-001056	DIODE-SCHOTTKY;RK16,60V,1500MA,DO-204AC,		....	R372	2001-001110	R-CARBON(S);240KOHM,5%,1/2W,AA,TP,2.4X6.4	
....	DZ805	0406-001007	DIODE-TVS;P6KE180A,171/180/189V,600W,CAS		....	R373	2001-001110	R-CARBON(S);240KOHM,5%,1/2W,AA,TP,2.4X6.4	
....	DZS802	0406-001062	DIODE-TVS;P6KE200A,190/200/210V,600W,CAS		....	R374	2001-001110	R-CARBON(S);240KOHM,5%,1/2W,AA,TP,2.4X6.4	
....	DZS803	0406-001106	DIODE-TVS;P6KE300A,285-/315V,600W,DO-20		....	R377	2001-001110	R-CARBON(S);240KOHM,5%,1/2W,AA,TP,2.4X6.4	
....	QS802	0501-000010	TR-SMALL SIGNAL;KSC1008,NPN,800mW,TO-92,		....	R375	2001-001113	R-CARBON(S);270KOHM,5%,1/2W,AA,TP,2.4X6.4	
....	Q361	0501-000283	TR-SMALL SIGNAL;KSA539,NPN,400mW,TO-92,T		....	RZ104	2001-001114	R-CARBON(S);270KOHM,5%,1/2W,AA,TP,2.4X6.4	

Electrical Part List

Level	Loc.No.	Code No.	Description;Specification	Remark	Level	Loc.No.	Code No.	Description;Specification	Remark
....4	RZ105	2001-001114	R-CARBON(S);2700HM,5%,1/2W,AA,TP,2.4X6.4		....4	RZ125	2008-001155	R-FUSIBLE;3.90HM,5%,1/2W,AF,TP,2.5X6.5MM	
....4	RZ106	2001-001114	R-CARBON(S);2700HM,5%,1/2W,AA,TP,2.4X6.4		....4	RZ126	2008-001155	R-FUSIBLE;3.90HM,5%,1/2W,AF,TP,2.5X6.5MM	
....4	RZ107	2001-001114	R-CARBON(S);2700HM,5%,1/2W,AA,TP,2.4X6.4		....4	RZ127	2008-001155	R-FUSIBLE;3.90HM,5%,1/2W,AF,TP,2.5X6.5MM	
....4	RZ108	2001-001114	R-CARBON(S);2700HM,5%,1/2W,AA,TP,2.4X6.4		....4	RZ128	2008-001155	R-FUSIBLE;3.90HM,5%,1/2W,AF,TP,2.5X6.5MM	
....4	RZ109	2001-001114	R-CARBON(S);2700HM,5%,1/2W,AA,TP,2.4X6.4		....4	RZ142	2008-001155	R-FUSIBLE;3.90HM,5%,1/2W,AF,TP,2.5X6.5MM	
....4	R365	2001-001120	R-CARBON(S);3.30HM,5%,1/2W,AA,TP,2.4X6.4		....4	RZ143	2008-001155	R-FUSIBLE;3.90HM,5%,1/2W,AF,TP,2.5X6.5MM	
....4	R468	2001-001122	R-CARBON(S);3.9KOHM,5%,1/2W,AA,TP,2.4X6.4		....4	RZ144	2008-001155	R-FUSIBLE;3.90HM,5%,1/2W,AF,TP,2.5X6.5MM	
....4	R801	2001-001150	R-CARBON(S);470KOHM,5%,1/2W,AA,TP,2.4X6.4		....4	RZ145	2008-001155	R-FUSIBLE;3.90HM,5%,1/2W,AF,TP,2.5X6.5MM	
....4	R802	2001-001150	R-CARBON(S);470KOHM,5%,1/2W,AA,TP,2.4X6.4		....4	RZ146	2008-001155	R-FUSIBLE;3.90HM,5%,1/2W,AF,TP,2.5X6.5MM	
....4	RZ150	2001-001155	R-CARBON(S);5.6KOHM,5%,1/2W,AA,TP,2.4X6.4		....4	RZ147	2008-001155	R-FUSIBLE;3.90HM,5%,1/2W,AF,TP,2.5X6.5MM	
....4	RZ151	2001-001155	R-CARBON(S);5.6KOHM,5%,1/2W,AA,TP,2.4X6.4		....4	C810	2201-000017	C-CERAMIC,DISC;1NF,10%,50V,Y5P,TP,5X3.5M	
....4	R837	2001-001185	R-CARBON(S);750OHM,5%,1/2W,AA,TP,2.4X6.4		....4	C468	2201-000119	C-CERAMIC,DISC;100NF,+80-20%,50V,Y5V,TP,	
....4	R836	2001-001194	R-CARBON(S);82KOHM,5%,1/2W,AA,TP,2.4X6.4		....4	C805	2201-000119	C-CERAMIC,DISC;100NF,+80-20%,50V,Y5V,TP,	
....4	R811	2001-001196	R-CARBON(S);9.1KOHM,5%,1/2W,AA,TP,2.4X6.4		....4	CS807	2201-000119	C-CERAMIC,DISC;100NF,+80-20%,50V,Y5V,TP,	
....4	R428	2002-000129	R-COMPOSITION;220ohm,10%,1/2W,AA,TP,3.5x		....4	C455	2201-000132	C-CERAMIC,DISC;0.1NF,10%,500V,Y5P,TP,6.5	
....4	R428A	2002-000129	R-COMPOSITION;220ohm,10%,1/2W,AA,TP,3.5x		....4	C459	2201-000132	C-CERAMIC,DISC;0.1NF,10%,500V,Y5P,TP,6.5	
△	R428B	2002-000129	R-COMPOSITION;220ohm,10%,1/2W,AA,TP,3.5x		....4	C484	2201-000132	C-CERAMIC,DISC;0.1NF,10%,500V,Y5P,TP,6.5	
△	RY801S	2002-001012	R-COMPOSITION;8.2Mohm,5%,1/2W,AA,TP,3.7x		....4	C809	2201-000138	C-CERAMIC,DISC;0.1NF,10%,50V,Y5P,TP,4X4MM	
....4	R382	2002-001014	R-COMPOSITION;6.8Kohm,10%,1/2W,AA,TP,3.7		....4	C469	2201-000180	C-CERAMIC,DISC;10NF,10%,50V,Y5V,TP,7X3MM	
....4	R384	2002-001016	R-COMPOSITION;330Kohm,5%,1/2W,AA,TP,3.7x		....4	C863	2201-000180	C-CERAMIC,DISC;10NF,+80-20%,50V,Y5V,TP,7X3MM	
....4	R425	2003-000417	R-METAL OXIDE(S);1.2Kohm,5%,3W,AA,TP,6x1		....4	C807	2201-000234	C-CERAMIC,DISC;0.15NF,5%,50V,C0G,TP,9X3M	
....4	R804	2003-000512	R-METAL OXIDE(S);15Kohm,5%,3W,AA,TP,6x16		....4	CZ117	2201-000327	C-CERAMIC,DISC;2.2NF,10%,50V,Y5V,TP,6.5X	
....4	R805	2003-000512	R-METAL OXIDE(S);15Kohm,5%,3W,AA,TP,6x16		....4	CZ118	2201-000327	C-CERAMIC,DISC;2.2NF,10%,50V,Y5V,TP,6.5X	
....4	R429	2003-000586	R-METAL OXIDE(S);22Kohm,5%,2W,AF,TP,4x12		....4	CZ138	2201-000327	C-CERAMIC,DISC;2.2NF,10%,50V,Y5V,TP,6.5X	
....4	R430	2003-000586	R-METAL OXIDE(S);22Kohm,5%,2W,AF,TP,4x12		....4	CZ139	2201-000327	C-CERAMIC,DISC;2.2NF,10%,50V,Y5V,TP,6.5X	
....4	R310	2003-001018	R-METAL OXIDE(S);220ohm,5%,2W,AF,TP,3.9x		....4	C801	2201-000332	C-CERAMIC,DISC;2.2NF,20%,250V,Y5U,TP,9X4	
....4	R463	2003-001024	R-METAL OXIDE(S);150ohm,5%,2W,AF,TP,3.9x		....4	CS810	2201-000332	C-CERAMIC,DISC;2.2NF,20%,250V,Y5U,TP,9X4	
....4	RZ129	2003-001024	R-METAL OXIDE(S);150ohm,5%,2W,AF,TP,3.9x		....4	C834	2201-000376	C-CERAMIC,DISC;0.22NF,5%,50V,SL,TP,6.3X3	
....4	RZ129A	2003-001024	R-METAL OXIDE(S);150ohm,5%,2W,AF,TP,3.9x		....4	C449	2201-000406	C-CERAMIC,DISC;0.27NF,10%,2KV,Y5P,TP,6.3	
....4	RZ130	2003-001024	R-METAL OXIDE(S);150ohm,5%,2W,AF,TP,3.9x		....4	C874	2201-000406	C-CERAMIC,DISC;0.27NF,10%,2KV,Y5P,TP,6.3	
....4	RZ130A	2003-001024	R-METAL OXIDE(S);150ohm,5%,2W,AF,TP,3.9x		....4	C813	2201-000551	C-CERAMIC,DISC;0.47NF,10%,1KV,Y5P,TP,6.3	
....4	RZ131	2003-001024	R-METAL OXIDE(S);150ohm,5%,2W,AF,TP,3.9x		....4	C817	2201-000551	C-CERAMIC,DISC;0.47NF,10%,1KV,Y5P,TP,6.3	
....4	RZ131A	2003-001024	R-METAL OXIDE(S);150ohm,5%,2W,AF,TP,3.9x		....4	C818	2201-000551	C-CERAMIC,DISC;0.47NF,10%,1KV,Y5P,TP,6.3	
....4	RZ132	2003-001024	R-METAL OXIDE(S);150ohm,5%,2W,AF,TP,3.9x		....4	C819	2201-000551	C-CERAMIC,DISC;0.47NF,10%,1KV,Y5P,TP,6.3	
....4	RZ132A	2003-001024	R-METAL OXIDE(S);150ohm,5%,2W,AF,TP,3.9x		....4	C820	2201-000551	C-CERAMIC,DISC;0.47NF,10%,1KV,Y5P,TP,6.3	
....4	RZ148	2003-001024	R-METAL OXIDE(S);150ohm,5%,2W,AF,TP,3.9x		....4	C376	2201-000556	C-CERAMIC,DISC;0.47NF,10%,500V,Y5P,TP,5.	
....4	RZ148A	2003-001024	R-METAL OXIDE(S);150ohm,5%,2W,AF,TP,3.9x		....4	C433	2201-000556	C-CERAMIC,DISC;0.47NF,10%,500V,Y5P,TP,5.	
....4	RZ149	2003-001024	R-METAL OXIDE(S);150ohm,5%,2W,AF,TP,3.9x		....4	C434	2201-000556	C-CERAMIC,DISC;0.47NF,10%,500V,Y5P,TP,5.	
....4	RZ149A	2003-001024	R-METAL OXIDE(S);150ohm,5%,2W,AF,TP,3.9x		....4	CS808	2201-000556	C-CERAMIC,DISC;0.47NF,10%,500V,Y5P,TP,5.	
....4	R426	2003-002026	R-METAL OXIDE(S);4.7ohm,5%,1W,AF,TP,2.5x		....4	CZ151	2202-000121	C-CERAMIC,MLC-AXIAL;100pF,10%,50V,Y5P,TP	
....4	R443	2003-002071	R-METAL OXIDE;560ohm,5%,2W,AF,TP,3.9x10mm		....4	CZ152	2202-000121	C-CERAMIC,MLC-AXIAL;100pF,10%,50V,Y5P,TP	
....4	R466	2004-000531	R-METAL;20Kohm,1%,1/2W,AA,TP,2.3x6.5mm		....4	CZ153	2202-000121	C-CERAMIC,MLC-AXIAL;100pF,10%,50V,Y5P,TP	
....4	R813	2004-000560	R-METAL;220Kohm,1%,1/4W,AA,TP,2.4x6.4mm		....4	CZ154	2202-000121	C-CERAMIC,MLC-AXIAL;100pF,10%,50V,Y5P,TP	
....4	R819	2004-001369	R-METAL(S);1.2Kohm,1%,1/2W,AA,TP,2.4x6.4		....4	CZ155	2202-000121	C-CERAMIC,MLC-AXIAL;100pF,10%,50V,Y5P,TP	
△	RR401S	2004-001390	R-METAL(S);1Kohm,2%,1/2W,AA,TP,2.4x6.4mm		....4	CZ156	2202-000121	C-CERAMIC,MLC-AXIAL;100pF,10%,50V,Y5P,TP	
....4	R378	2004-001892	R-METAL(S);162Kohm,1%,1/2W,AA,TP,2.5x6.5		....4	CZ111	2202-000205	C-CERAMIC,MLC-AXIAL;22pF,5%,50V,SL,TP,1.	
....4	R379	2004-001892	R-METAL(S);162Kohm,1%,1/2W,AA,TP,2.5x6.5		....4	CZ113	2202-000205	C-CERAMIC,MLC-AXIAL;22pF,5%,50V,SL,TP,1.	
....4	R380	2004-001892	R-METAL(S);162Kohm,1%,1/2W,AA,TP,2.5x6.5		....4	CZ115	2202-000205	C-CERAMIC,MLC-AXIAL;22pF,5%,50V,SL,TP,1.	
....4	R308	2004-001897	R-METAL(S);43.2Kohm,1%,1/2W,AA,TP,2.5x6.5		....4	CZ132	2202-000205	C-CERAMIC,MLC-AXIAL;22pF,5%,50V,SL,TP,1.	
....4	R311	2004-001897	R-METAL(S);43.2Kohm,1%,1/2W,AA,TP,2.5x6.5		....4	CZ134	2202-000205	C-CERAMIC,MLC-AXIAL;22pF,5%,50V,SL,TP,1.	
....4	R817	2004-001983	R-METAL(S);2.49Kohm,1%,1/2W,AA,TP,2.4x6.4		....4	CZ136	2202-000205	C-CERAMIC,MLC-AXIAL;22pF,5%,50V,SL,TP,1.	
....4	R309	2004-001984	R-METAL(S);26.7Kohm,1%,1/2W,AA,TP,2.4x6.4		....4	CZ112	2202-000561	C-CERAMIC,MLC-RADIAL;0.68NF,5%,50V,COG,T	
....4	R312	2004-001984	R-METAL(S);26.7Kohm,1%,1/2W,AA,TP,2.4x6.4		....4	CZ114	2202-000561	C-CERAMIC,MLC-RADIAL;0.68NF,5%,50V,COG,T	
....4	R467	2004-001984	R-METAL(S);26.7Kohm,1%,1/2W,AA,TP,2.4x6.4		....4	CZ116	2202-000561	C-CERAMIC,MLC-RADIAL;0.68NF,5%,50V,COG,T	
....4	R816	2004-002011	R-METAL(S);110Kohm,1%,1/2W,AA,TP,2.4x6.4		....4	CZ133	2202-000561	C-CERAMIC,MLC-RADIAL;0.68NF,5%,50V,COG,T	
....4	R501	2004-004029	R-METAL(S);10Kohm,1%,1/2W,AA,TP,2.5x6.5mm		....4	CZ135	2202-000561	C-CERAMIC,MLC-RADIAL;0.68NF,5%,50V,COG,T	
....4	R502	2004-004366	R-METAL(S);1.3Kohm,1%,1/2W,AA,TP,2.5x6.5		....4	CZ137	2202-000561	C-CERAMIC,MLC-RADIAL;0.68NF,5%,50V,COG,T	
△	RS801S	2008-000205	R-FUSIBLE(S);10ohm,5%,1/2W,AF,TP,2.5x6.5		....4	C836	2202-000654	C-CERAMIC,MLC-RADIAL;100nF,10%,50V,X7R,T	
△	RS802S	2008-000205	R-FUSIBLE(S);1ohm,5%,1/2W,AF,TP,2.5x6.5		....4	C839	2202-000654	C-CERAMIC,MLC-RADIAL;100nF,10%,50V,X7R,T	
....4	R472	2008-000252	R-FUSIBLE(S);0.47ohm,10%,1/2W,AF,TP,2.5x		....4	C840	2202-000654	C-CERAMIC,MLC-RADIAL;100nF,10%,50V,X7R,T	
....4	R441	2008-000253	R-FUSIBLE(S);0.47ohm,5%,1W,AF,TP,3.9x10mm		....4	C842	2202-000654	C-CERAMIC,MLC-RADIAL;100nF,10%,50V,X7R,T	
....4	R442	2008-000253	R-FUSIBLE(S);0.47ohm,5%,1W,AF,TP,3.9x10mm		....4	C845	2202-000654	C-CERAMIC,MLC-RADIAL;100nF,10%,50V,X7R,T	
....4	R442A	2008-000253	R-FUSIBLE(S);0.47ohm,5%,1W,AF,TP,3.9x10mm		....4	C846	2202-000654	C-CERAMIC,MLC-RADIAL;100nF,10%,50V,X7R,T	
....4	R445	2008-000253	R-FUSIBLE(S);0.47ohm,5%,1W,AF,TP,3.9x10mm		....4	C847	2202-000654	C-CERAMIC,MLC-RADIAL;100nF,10%,50V,X7R,T	
....4	R447	2008-000253	R-FUSIBLE(S);0.47ohm,5%,1W,AF,TP,3.9x10mm		....4	C850	2202-000654	C-CERAMIC,MLC-RADIAL;100nF,10%,50V,X7R,T	
....4	R440	2008-000282	R-FUSIBLE(S);0.47ohm,5%,1W,AA,TP,3.9x12m		....4	C851	2202-000654	C-CERAMIC,MLC-RADIAL;100nF,10%,50V,X7R,T	
....4	R307	2008-000290	R-FUSIBLE(S);2.4ohm,5%,2W,AF,TP,3.9x10mm		....4	C854	2202-000654	C-CERAMIC,MLC-RADIAL;100nF,10%,50V,X7R,T	
....4	R427	2008-001018	R-FUSIBLE(S);0.47ohm,10%,2W,AF,TP,3.9x10		....4	C855	2202-000654	C-CERAMIC,MLC-RADIAL;100nF,10%,50V,X7R,T	
....4	R427A	2008-001018	R-FUSIBLE(S);0.47ohm,10%,2W,AF,TP,3.9x10		....4	C858	2202-000654	C-CERAMIC,MLC-RADIAL;100nF,10%,50V,X7R,T	
....4	R486	2008-001018	R-FUSIBLE(S);0.47ohm,10%,2W,AF,TP,3.9x10		....4	C859	2202-000654	C-CERAMIC,MLC-RADIAL;100nF,10%,50V,X7R,T	
....4	R431	2008-001050	R-FUSIBLE(S);22ohm,5%,2W,AF,TP,3.9x10mm		....4	C860	2202-000654	C-CERAMIC,MLC-RADIAL;100nF,10%,50V,X7R,T	
....4	R306	2008-001076	R-FUSIBLE(S);1.8ohm,5%,2W,AF,TP,3.9x10mm		....4	C866	2202-000654	C-CERAMIC,MLC-RADIAL;100nF,10%,50V,X7R,T	
....4	R437	2008-001076	R-FUSIBLE(S);1.8ohm,5%,2W,AF,TP,3.9x10mm		....4	C868	2202-000654	C-CERAMIC,MLC-RADIAL;100nF,10%,50V,X7R,T	
....4	R424	2008-001145	R-FUSIBLE;4.7OHM,5%,1/2W,AF,TP,2.5X6.5MM		....4	CZ108	2202-000863	C-CERAMIC,MLC-AXIAL;560pF,10%,50V,Y5P,TP	
....4	R462	2008-001145	R-FUSIBLE;4.7OHM,5%,1/2W,AF,TP,2.5X6.5MM		....4	CZ109	2202-000863	C-CERAMIC,MLC-AXIAL;560pF,10%,50V,Y5P,TP	
....4	RZ123	2008-001155	R-FUSIBLE;3.90HM,5%,1/2W,AF,TP,2.5X6.5MM		....4	CZ110	2202-000863	C-CERAMIC,MLC-AXIAL;560pF,10%,50V,Y5P,TP	
....4	RZ124	2008-001155	R-FUSIBLE;3.90HM,5%,1/2W,AF,TP,2.5X6.5MM		....4	CZ126	2202-000863	C-CERAMIC,MLC-AXIAL;560pF,10%,50V,Y5P,TP	

Level	Loc.No.	Code No.	Description;Specification	Remark	Level	Loc.No.	Code No.	Description;Specification	Remark
....4	CZ127	2202-000863	C-CERAMIC,MLC-AXIAL;560pF,10%,50V,Y5P,TP		....4	F101	2901-000297	FILTER-EMI ON BOARD;-,3A,-,-,3.5x5,TP,-	
....4	CZ128	2202-000863	C-CERAMIC,MLC-AXIAL;560pF,10%,50V,Y5P,TP		....4	F101	2901-000297	FILTER-EMI ON BOARD;-,3A,-,-,3.5x5,TP,-	
....4	C307	2301-000188	C-FILM,LEAD-PEF;1nF,5%,100V,TP,10.5x12.5		....4	F101	2901-000297	FILTER-EMI ON BOARD;-,3A,-,-,3.5x5,TP,-	
....4	C309	2301-000188	C-FILM,LEAD-PEF;1nF,5%,100V,TP,10.5x12.5		....4	F101	2901-000297	FILTER-EMI ON BOARD;-,3A,-,-,3.5x5,TP,-	
....4	C477	2301-000213	C-FILM,LEAD-PEF;220nF,5%,250V,TP,21.5x11		....4	F101	2901-000297	FILTER-EMI ON BOARD;-,3A,-,-,3.5x5,TP,-	
....4	C835	2301-000224	C-FILM,LEAD-PEF;22nF,5%,50V,TP,7.4x3.9x1		....4	F101	2901-000297	FILTER-EMI ON BOARD;-,3A,-,-,3.5x5,TP,-	
....4	CS809	2301-000356	C-FILM,LEAD-PEF;47nF,5%,50V,TP,7.5x4.0x6		....4	F101	2901-000297	FILTER-EMI ON BOARD;-,3A,-,-,3.5x5,TP,-	
....4	C831	2301-001216	C-FILM,LEAD-PPF;47nF,5%,630V,TP,20x14.5x		....4	F101	2901-000297	FILTER-EMI ON BOARD;-,3A,-,-,3.5x5,TP,-	
△	CR432S	2301-001678	C-FILM,MPEF;0.68000nF,5%,2000.000V,TP,20		....4	L2514	3301-000287	BEAD-AXIAL;-,3.5x1.0x6.0mm,3000mA,TP,,50	S.N.A
....4	C432	2303-000002	C-FILM,LEAD-PPF;8.2nF 5% 400V TP 19X18X7		....4	L2514	3301-000287	BEAD-AXIAL;-,3.5x1.0x6.0mm,3000mA,TP,,50	S.N.A
....4	C438	2303-000002	C-FILM,LEAD-PPF;8.2nF 5% 400V TP 19X18X7		....4	L2514	3301-000287	BEAD-AXIAL;-,3.5x1.0x6.0mm,3000mA,TP,,50	S.N.A
....4	C460	2303-000331	C-FILM,LEAD-PPF;4.7nF,5%,630V,TP,19.5x12		....4	L2514	3301-000287	BEAD-AXIAL;-,3.5x1.0x6.0mm,3000mA,TP,,50	S.N.A
....4	C301	2305-000285	C-FILM,LEAD-PEF;220nF,5%,100V,TP,10.5X5		....4	L2514	3301-000287	BEAD-AXIAL;-,3.5x1.0x6.0mm,3000mA,TP,,50	S.N.A
....4	C828	2305-000289	C-FILM,LEAD-PEF;220nF,5%,63V,TP,-,5mm		....4	L2514	3301-000287	BEAD-AXIAL;-,3.5x1.0x6.0mm,3000mA,TP,,50	S.N.A
....4	C812	2305-000412	C-FILM,LEAD-PEF;470nF,5%,63V,TP,-,5mm		....4	L2514	3301-000287	BEAD-AXIAL;-,3.5x1.0x6.0mm,3000mA,TP,,50	S.N.A
....4	C311	2305-000624	C-FILM,LEAD-PEF;330nF,10%,100V,TP,-,5mm		....4	L2514	3301-000287	BEAD-AXIAL;-,3.5x1.0x6.0mm,3000mA,TP,,50	S.N.A
....4	C429	2305-000704	C-FILM,LEAD-PEF;100nF,5%,250V,TP,16.5x10		....4	L2514	3301-000374	BEAD-AXIAL;-,3.5x1.0x9.0mm,3000mA,TP,,50	S.N.A
....4	C361	2306-000122	C-FILM,LEAD-PPF;100nF,5%,50V,TP,7.3x4.0x		△	FD801S	3601-001064	FUSE-AXIAL LEAD;125V,4A,FAST-ACTING,GLAS	
....4	C428	2306-000122	C-FILM,LEAD-PPF;100nF,5%,50V,TP,7.3x4.0x		△	FD802S	3601-001086	FUSE-AXIAL LEAD;125V,5A,FAST-ACTING,GLAS	
....4	CS806	2401-000010	C-AL;220uF,20%,16V,GP,-,6.3x11mm,2.5		△	FD803S	3601-001086	FUSE-AXIAL LEAD;125V,5A,FAST-ACTING,GLAS	
....4	C843	2401-000025	C-AL;100uF,20%,16V,GP,TP,6.3x11,1.5		△	FD804S	3601-001086	FUSE-AXIAL LEAD;125V,5A,FAST-ACTING,GLAS	
....4	C869	2401-000025	C-AL;100uF,20%,16V,GP,TP,6.3x11,1.5		....4	EL401	6042-000001	EYELET;ID2.2,OD2.7,L3.1,NI+SN,BSP3-1/2H	S.N.A
....4	C827	2401-000142	C-AL;1000uF,20%,16V,WT,TP,10x20,5		....4	EL402	6042-000001	EYELET;ID2.2,OD2.7,L3.1,NI+SN,BSP3-1/2H	S.N.A
....4	C837	2401-000142	C-AL;1000uF,20%,16V,WT,TP,10x20,5		....4	EL403	6042-000001	EYELET;ID2.2,OD2.7,L3.1,NI+SN,BSP3-1/2H	S.N.A
....4	C848	2401-000142	C-AL;1000uF,20%,16V,WT,TP,10x20,5		....4	EL404	6042-000001	EYELET;ID2.2,OD2.7,L3.1,NI+SN,BSP3-1/2H	S.N.A
....4	C852	2401-000142	C-AL;1000uF,20%,16V,WT,TP,10x20,5		....4	EL405	6042-000001	EYELET;ID2.2,OD2.7,L3.1,NI+SN,BSP3-1/2H	S.N.A
....4	C856	2401-000142	C-AL;1000uF,20%,16V,WT,TP,10x20,5		....4	EL406	6042-000001	EYELET;ID2.2,OD2.7,L3.1,NI+SN,BSP3-1/2H	S.N.A
....4	C867	2401-000164	C-AL;1000uF,20%,25V,WT,TP,12.5x20,5		....4	EL407	6042-000001	EYELET;ID2.2,OD2.7,L3.1,NI+SN,BSP3-1/2H	S.N.A
....4	C371	2401-000302	C-AL;100uF,20%,25V,GP,TP,6.3x11,1.5		....4	EL408	6042-000001	EYELET;ID2.2,OD2.7,L3.1,NI+SN,BSP3-1/2H	S.N.A
....4	C373	2401-000302	C-AL;100uF,20%,25V,GP,TP,6.3x11,1.5		....4	EL409	6042-000001	EYELET;ID2.2,OD2.7,L3.1,NI+SN,BSP3-1/2H	S.N.A
....4	C426	2401-000302	C-AL;100uF,20%,25V,GP,TP,6.3x11,1.5		....4	EL410	6042-000001	EYELET;ID2.2,OD2.7,L3.1,NI+SN,BSP3-1/2H	S.N.A
....4	C830	2401-000302	C-AL;100uF,20%,25V,GP,TP,6.3x11,1.5		....4	EL411	6042-000001	EYELET;ID2.2,OD2.7,L3.1,NI+SN,BSP3-1/2H	S.N.A
....4	C841	2401-000302	C-AL;100uF,20%,25V,GP,TP,6.3x11,1.5		....4	EL412	6042-000001	EYELET;ID2.2,OD2.7,L3.1,NI+SN,BSP3-1/2H	S.N.A
....4	C304	2401-000360	C-AL;100uF,20%,50V,GP,TP,8x11,5.5		....4	EL413	6042-000001	EYELET;ID2.2,OD2.7,L3.1,NI+SN,BSP3-1/2H	S.N.A
....4	C305	2401-000360	C-AL;100uF,20%,50V,GP,TP,8x11,5.5		....4	EL414	6042-000001	EYELET;ID2.2,OD2.7,L3.1,NI+SN,BSP3-1/2H	S.N.A
....4	C467	2401-000360	C-AL;100uF,20%,50V,GP,TP,8x11,5.5		....4	EL415	6042-000001	EYELET;ID2.2,OD2.7,L3.1,NI+SN,BSP3-1/2H	S.N.A
....4	C832	2401-000360	C-AL;100uF,20%,50V,GP,TP,8x11,5.5		....4	EL416	6042-000001	EYELET;ID2.2,OD2.7,L3.1,NI+SN,BSP3-1/2H	S.N.A
....4	C372	2401-000480	C-AL;10uF,20%,50V,GP,TP,5x11,1.5		....4	EL417	6042-000001	EYELET;ID2.2,OD2.7,L3.1,NI+SN,BSP3-1/2H	S.N.A
....4	CS802	2401-000480	C-AL;10uF,20%,50V,GP,TP,5x11,1.5		....4	EL418	6042-000001	EYELET;ID2.2,OD2.7,L3.1,NI+SN,BSP3-1/2H	S.N.A
....4	C829	2401-000573	C-AL;1uF,20%,250V,WT,TP,6.3x11,1.5		....4	EY401	6042-000002	EYELET;ID1.5,OD2.2,L2.8,NI+SN,BSP3-1/2H	S.N.A
....4	C821	2401-000703	C-AL;2200uF,20%,25V,GP,-,12.5x25mm,		....4	EY402	6042-000002	EYELET;ID1.5,OD2.2,L2.8,NI+SN,BSP3-1/2H	S.N.A
....4	C861	2401-000832	C-AL;220uF,20%,25V,GP,TP,8x11,5.5		....4	EY403	6042-000002	EYELET;ID1.5,OD2.2,L2.8,NI+SN,BSP3-1/2H	S.N.A
....4	CZ140	2401-000962	C-AL;22uF,20%,50V,GP,TP,5x11,1.5		....4	EY404	6042-000002	EYELET;ID1.5,OD2.2,L2.8,NI+SN,BSP3-1/2H	S.N.A
....4	CZ141	2401-000962	C-AL;22uF,20%,50V,GP,TP,5x11,1.5		....4	EY405	6042-000002	EYELET;ID1.5,OD2.2,L2.8,NI+SN,BSP3-1/2H	S.N.A
....4	C483	2401-001026	C-AL;3.3uF,20%,50V,GP,TP,5X11,1.5		....4	EY406	6042-000002	EYELET;ID1.5,OD2.2,L2.8,NI+SN,BSP3-1/2H	S.N.A
....4	C431	2401-001397	C-AL;470uF,20%,25V,GP,TP,10x16,5		....4	EY407	6042-000002	EYELET;ID1.5,OD2.2,L2.8,NI+SN,BSP3-1/2H	S.N.A
....4	C436	2401-001397	C-AL;470uF,20%,25V,GP,TP,10x16,5		....4	EY408	6042-000002	EYELET;ID1.5,OD2.2,L2.8,NI+SN,BSP3-1/2H	S.N.A
....4	C864	2401-001397	C-AL;470uF,20%,25V,GP,TP,10x16,5		....4	EY409	6042-000002	EYELET;ID1.5,OD2.2,L2.8,NI+SN,BSP3-1/2H	S.N.A
....4	C865	2401-001397	C-AL;470uF,20%,25V,GP,TP,10x16,5		....4	EY410	6042-000002	EYELET;ID1.5,OD2.2,L2.8,NI+SN,BSP3-1/2H	S.N.A
....4	C454	2401-001428	C-AL;470uF,20%,50V,GP,TP,10x20,5		....4	EY411	6042-000002	EYELET;ID1.5,OD2.2,L2.8,NI+SN,BSP3-1/2H	S.N.A
....4	C456	2401-001527	C-AL;47uF,20%,250V,HR,TP,13x25mm,5m		....4	EY412	6042-000002	EYELET;ID1.5,OD2.2,L2.8,NI+SN,BSP3-1/2H	S.N.A
....4	C374	2401-001621	C-AL;6.8uF,20%,450V,GP,TP,13x20,5		....4	EY413	6042-000002	EYELET;ID1.5,OD2.2,L2.8,NI+SN,BSP3-1/2H	S.N.A
....4	C445	2401-001622	C-AL;6.8uF,20%,50V,BP,TP,16x25mm,7.		....4	EY414	6042-000002	EYELET;ID1.5,OD2.2,L2.8,NI+SN,BSP3-1/2H	S.N.A
....4	CS805	2401-001655	C-AL;680uF,20%,25V,GP,TP,10x20,5		....4	EY415	6042-000002	EYELET;ID1.5,OD2.2,L2.8,NI+SN,BSP3-1/2H	S.N.A
....4	C808	2401-002144	C-AL;47uF,20%,16V,GP,TP,5x11,1.5		....4	EY416	6042-000002	EYELET;ID1.5,OD2.2,L2.8,NI+SN,BSP3-1/2H	S.N.A
....4	C806	2401-002300	C-AL;47uF,20%,50V,GP,TP,6.3x11,1.5		....4	EY417	6042-000002	EYELET;ID1.5,OD2.2,L2.8,NI+SN,BSP3-1/2H	S.N.A
....4	CS803	2401-002300	C-AL;47uF,20%,50V,GP,TP,6.3x11,1.5		....4	EY418	6042-000002	EYELET;ID1.5,OD2.2,L2.8,NI+SN,BSP3-1/2H	S.N.A
....4	C823	2401-002463	C-AL;470uF,20%,16V,GP,TP,8x11,5.5		....4	EY419	6042-000002	EYELET;ID1.5,OD2.2,L2.8,NI+SN,BSP3-1/2H	S.N.A
....4	C849	2401-002594	C-AL;220uF,20%,16V,GP,TP,8x11,5.5		....4	EY420	6042-000002	EYELET;ID1.5,OD2.2,L2.8,NI+SN,BSP3-1/2H	S.N.A
....4	C853	2401-002594	C-AL;220uF,20%,16V,GP,TP,8x11,5.5		....4	EY421	6042-000002	EYELET;ID1.5,OD2.2,L2.8,NI+SN,BSP3-1/2H	S.N.A
....4	C857	2401-002594	C-AL;220uF,20%,16V,GP,TP,8x11,5.5		....4	EY422	6042-000002	EYELET;ID1.5,OD2.2,L2.8,NI+SN,BSP3-1/2H	S.N.A
....4	C844	2401-002619	C-AL;47uF,20%,25V,GP,TP,5x11,1.5		....4	EY423	6042-000002	EYELET;ID1.5,OD2.2,L2.8,NI+SN,BSP3-1/2H	S.N.A
....4	C838	2401-003034	C-AL;220uF,20%,16V,WT,TP,8x11,5.5		....4	EY424	6042-000002	EYELET;ID1.5,OD2.2,L2.8,NI+SN,BSP3-1/2H	S.N.A
....4	C875	2401-003036	C-AL;100uF,20%,16V,GP,TP,5X11mm,5mm		....4	EY425	6042-000002	EYELET;ID1.5,OD2.2,L2.8,NI+SN,BSP3-1/2H	S.N.A
....4	C427	2401-003046	C-AL;47uF,20%,50V,WT,TP,6.3x11,2.5		....4	EY426	6042-000002	EYELET;ID1.5,OD2.2,L2.8,NI+SN,BSP3-1/2H	S.N.A
....4	C437	2401-003114	C-AL;4.7uF,20%,250V,WT,TP,10x16,5		....4	EY427	6042-000002	EYELET;ID1.5,OD2.2,L2.8,NI+SN,BSP3-1/2H	S.N.A
....4	L431	2701-000116	INDUCTOR-AXIAL;10UH,10%,4298		....4	EY428	6042-000002	EYELET;ID1.5,OD2.2,L2.8,NI+SN,BSP3-1/2H	S.N.A
....4	LZ107	2701-000142	INDUCTOR-AXIAL;1UH,10%,2534		....4	EY429	6042-000002	EYELET;ID1.5,OD2.2,L2.8,NI+SN,BSP3-1/2H	S.N.A
....4	LZ108	2701-000142	INDUCTOR-AXIAL;1UH,10%,2534		....4	EY430	6042-000002	EYELET;ID1.5,OD2.2,L2.8,NI+SN,BSP3-1/2H	S.N.A
....4	LZ109	2701-000142	INDUCTOR-AXIAL;1UH,10%,2534		....4	EY431	6042-000002	EYELET;ID1.5,OD2.2,L2.8,NI+SN,BSP3-1/2H	S.N.A
....4	LZ110	2701-000142	INDUCTOR-AXIAL;1UH,10%,2534		....4	EY432	6042-000002	EYELET;ID1.5,OD2.2,L2.8,NI+SN,BSP3-1/2H	S.N.A
....4	LZ111	2701-000142	INDUCTOR-AXIAL;1UH,10%,2534		....4	EY433	6042-000002	EYELET;ID1.5,OD2.2,L2.8,NI+SN,BSP3-1/2H	S.N.A
....4	LZ112	2701-000142	INDUCTOR-AXIAL;1UH,10%,2534		....4	EY434	6042-000002	EYELET;ID1.5,OD2.2,L2.8,NI+SN,BSP3-1/2H	S.N.A
....4	LS804	2701-001040	INDUCTOR-AXIAL;10UH,10%,4514		....4	EY435	6042-000002	EYELET;ID1.5,OD2.2,L2.8,NI+SN,BSP3-1/2H	S.N.A
....4	F101	2901-000297	FILTER-EMI ON BOARD;-,3A,-,-,3.5x5,TP,-		....4	EY436	6042-000002	EYELET;ID1.5,OD2.2,L2.8,NI+SN,BSP3-1/2H	S.N.A
....4	F101	2901-000297	FILTER-EMI ON BOARD;-,3A,-,-,3.5x5,TP,-		....4	EY437	6042-000002	EYELET;ID1.5,OD2.2,L2.8,NI+SN,BSP3-1/2H	S.N.A
....4	F101	2901-000297	FILTER-EMI ON BOARD;-,3A,-,-,3.5x5,TP,-		....4	EY438	6042-000002	EYELET;ID1.5,OD2.2,L2.8,NI+SN,BSP3-1/2H	S.N.A

Electrical Part List

Level	Loc.No.	Code No.	Description;Specification	Remark	Level	Loc.No.	Code No.	Description;Specification	Remark
....4	EY439	6042-000002	EYELET;ID1.5,OD2,L2.8,NI+SN,BSP3-1/2H	S.N.A	....4	EY521	6042-000002	EYELET;ID1.5,OD2,L2.8,NI+SN,BSP3-1/2H	S.N.A
....4	EY440	6042-000002	EYELET;ID1.5,OD2,L2.8,NI+SN,BSP3-1/2H	S.N.A	....4	EY522	6042-000002	EYELET;ID1.5,OD2,L2.8,NI+SN,BSP3-1/2H	S.N.A
....4	EY441	6042-000002	EYELET;ID1.5,OD2,L2.8,NI+SN,BSP3-1/2H	S.N.A	....4	EY523	6042-000002	EYELET;ID1.5,OD2,L2.8,NI+SN,BSP3-1/2H	S.N.A
....4	EY442	6042-000002	EYELET;ID1.5,OD2,L2.8,NI+SN,BSP3-1/2H	S.N.A	....4	EY524	6042-000002	EYELET;ID1.5,OD2,L2.8,NI+SN,BSP3-1/2H	S.N.A
....4	EY443	6042-000002	EYELET;ID1.5,OD2,L2.8,NI+SN,BSP3-1/2H	S.N.A	....4	EY525	6042-000002	EYELET;ID1.5,OD2,L2.8,NI+SN,BSP3-1/2H	S.N.A
....4	EY444	6042-000002	EYELET;ID1.5,OD2,L2.8,NI+SN,BSP3-1/2H	S.N.A	....4	EY526	6042-000002	EYELET;ID1.5,OD2,L2.8,NI+SN,BSP3-1/2H	S.N.A
....4	EY445	6042-000002	EYELET;ID1.5,OD2,L2.8,NI+SN,BSP3-1/2H	S.N.A	....4	EY527	6042-000002	EYELET;ID1.5,OD2,L2.8,NI+SN,BSP3-1/2H	S.N.A
....4	EY446	6042-000002	EYELET;ID1.5,OD2,L2.8,NI+SN,BSP3-1/2H	S.N.A	....4	EY528	6042-000002	EYELET;ID1.5,OD2,L2.8,NI+SN,BSP3-1/2H	S.N.A
....4	EY447	6042-000002	EYELET;ID1.5,OD2,L2.8,NI+SN,BSP3-1/2H	S.N.A	....4	EY529	6042-000002	EYELET;ID1.5,OD2,L2.8,NI+SN,BSP3-1/2H	S.N.A
....4	EY448	6042-000002	EYELET;ID1.5,OD2,L2.8,NI+SN,BSP3-1/2H	S.N.A	....4	EY530	6042-000002	EYELET;ID1.5,OD2,L2.8,NI+SN,BSP3-1/2H	S.N.A
....4	EY449	6042-000002	EYELET;ID1.5,OD2,L2.8,NI+SN,BSP3-1/2H	S.N.A	....4	EY531	6042-000002	EYELET;ID1.5,OD2,L2.8,NI+SN,BSP3-1/2H	S.N.A
....4	EY450	6042-000002	EYELET;ID1.5,OD2,L2.8,NI+SN,BSP3-1/2H	S.N.A	....4	EY532	6042-000002	EYELET;ID1.5,OD2,L2.8,NI+SN,BSP3-1/2H	S.N.A
....4	EY451	6042-000002	EYELET;ID1.5,OD2,L2.8,NI+SN,BSP3-1/2H	S.N.A	....4	EY533	6042-000002	EYELET;ID1.5,OD2,L2.8,NI+SN,BSP3-1/2H	S.N.A
....4	EY452	6042-000002	EYELET;ID1.5,OD2,L2.8,NI+SN,BSP3-1/2H	S.N.A	....4	EY534	6042-000002	EYELET;ID1.5,OD2,L2.8,NI+SN,BSP3-1/2H	S.N.A
....4	EY453	6042-000002	EYELET;ID1.5,OD2,L2.8,NI+SN,BSP3-1/2H	S.N.A	....4	EY535	6042-000002	EYELET;ID1.5,OD2,L2.8,NI+SN,BSP3-1/2H	S.N.A
....4	EY454	6042-000002	EYELET;ID1.5,OD2,L2.8,NI+SN,BSP3-1/2H	S.N.A	....4	EY536	6042-000002	EYELET;ID1.5,OD2,L2.8,NI+SN,BSP3-1/2H	S.N.A
....4	EY455	6042-000002	EYELET;ID1.5,OD2,L2.8,NI+SN,BSP3-1/2H	S.N.A	....4	EY537	6042-000002	EYELET;ID1.5,OD2,L2.8,NI+SN,BSP3-1/2H	S.N.A
....4	EY456	6042-000002	EYELET;ID1.5,OD2,L2.8,NI+SN,BSP3-1/2H	S.N.A	....4	EY538	6042-000002	EYELET;ID1.5,OD2,L2.8,NI+SN,BSP3-1/2H	S.N.A
....4	EY457	6042-000002	EYELET;ID1.5,OD2,L2.8,NI+SN,BSP3-1/2H	S.N.A	....4	EY539	6042-000002	EYELET;ID1.5,OD2,L2.8,NI+SN,BSP3-1/2H	S.N.A
....4	EY458	6042-000002	EYELET;ID1.5,OD2,L2.8,NI+SN,BSP3-1/2H	S.N.A	....4	EY540	6042-000002	EYELET;ID1.5,OD2,L2.8,NI+SN,BSP3-1/2H	S.N.A
....4	EY459	6042-000002	EYELET;ID1.5,OD2,L2.8,NI+SN,BSP3-1/2H	S.N.A	....4	EY541	6042-000002	EYELET;ID1.5,OD2,L2.8,NI+SN,BSP3-1/2H	S.N.A
....4	EY460	6042-000002	EYELET;ID1.5,OD2,L2.8,NI+SN,BSP3-1/2H	S.N.A	....4	EY542	6042-000002	EYELET;ID1.5,OD2,L2.8,NI+SN,BSP3-1/2H	S.N.A
....4	EY461	6042-000002	EYELET;ID1.5,OD2,L2.8,NI+SN,BSP3-1/2H	S.N.A	....4	EY543	6042-000002	EYELET;ID1.5,OD2,L2.8,NI+SN,BSP3-1/2H	S.N.A
....4	EY462	6042-000002	EYELET;ID1.5,OD2,L2.8,NI+SN,BSP3-1/2H	S.N.A	....4	EY544	6042-000002	EYELET;ID1.5,OD2,L2.8,NI+SN,BSP3-1/2H	S.N.A
....4	EY463	6042-000002	EYELET;ID1.5,OD2,L2.8,NI+SN,BSP3-1/2H	S.N.A	....4	EY545	6042-000002	EYELET;ID1.5,OD2,L2.8,NI+SN,BSP3-1/2H	S.N.A
....4	EY464	6042-000002	EYELET;ID1.5,OD2,L2.8,NI+SN,BSP3-1/2H	S.N.A	....4	EY546	6042-000002	EYELET;ID1.5,OD2,L2.8,NI+SN,BSP3-1/2H	S.N.A
....4	EY465	6042-000002	EYELET;ID1.5,OD2,L2.8,NI+SN,BSP3-1/2H	S.N.A	....4	EY547	6042-000002	EYELET;ID1.5,OD2,L2.8,NI+SN,BSP3-1/2H	S.N.A
....4	EY466	6042-000002	EYELET;ID1.5,OD2,L2.8,NI+SN,BSP3-1/2H	S.N.A	....4	EY548	6042-000002	EYELET;ID1.5,OD2,L2.8,NI+SN,BSP3-1/2H	S.N.A
....4	EY467	6042-000002	EYELET;ID1.5,OD2,L2.8,NI+SN,BSP3-1/2H	S.N.A	....4	GT811	AA60-40014A	PIN-GT,ASSY,AUTO	
....4	EY468	6042-000002	EYELET;ID1.5,OD2,L2.8,NI+SN,BSP3-1/2H	S.N.A	....4	GT811	AA60-40014A	PIN-GT,ASSY,AUTO	
....4	EY469	6042-000002	EYELET;ID1.5,OD2,L2.8,NI+SN,BSP3-1/2H	S.N.A	....4	GT811	AA60-40014A	PIN-GT,ASSY,AUTO	
....4	EY470	6042-000002	EYELET;ID1.5,OD2,L2.8,NI+SN,BSP3-1/2H	S.N.A	....4	GT811	AA60-40014A	PIN-GT,ASSY,AUTO	
....4	EY471	6042-000002	EYELET;ID1.5,OD2,L2.8,NI+SN,BSP3-1/2H	S.N.A	....4	GT811	AA60-40014A	PIN-GT,ASSY,AUTO	
....4	EY472	6042-000002	EYELET;ID1.5,OD2,L2.8,NI+SN,BSP3-1/2H	S.N.A	....4	GT811	AA60-40014A	PIN-GT,ASSY,AUTO	
....4	EY473	6042-000002	EYELET;ID1.5,OD2,L2.8,NI+SN,BSP3-1/2H	S.N.A	....4	GT811	AA60-40014A	PIN-GT,ASSY,AUTO	
....4	EY474	6042-000002	EYELET;ID1.5,OD2,L2.8,NI+SN,BSP3-1/2H	S.N.A	....4	GT811	AA60-40014A	PIN-GT,ASSY,AUTO	
....4	EY475	6042-000002	EYELET;ID1.5,OD2,L2.8,NI+SN,BSP3-1/2H	S.N.A	....4	GT811	AA60-40014A	PIN-GT,ASSY,AUTO	
....4	EY476	6042-000002	EYELET;ID1.5,OD2,L2.8,NI+SN,BSP3-1/2H	S.N.A	....4	GT811	AA60-40014A	PIN-GT,ASSY,AUTO	
....4	EY477	6042-000002	EYELET;ID1.5,OD2,L2.8,NI+SN,BSP3-1/2H	S.N.A	....4	GT811	AA60-40014A	PIN-GT,ASSY,AUTO	
....4	EY478	6042-000002	EYELET;ID1.5,OD2,L2.8,NI+SN,BSP3-1/2H	S.N.A	....4	GT811	AA60-40014A	PIN-GT,ASSY,AUTO	
....4	EY479	6042-000002	EYELET;ID1.5,OD2,L2.8,NI+SN,BSP3-1/2H	S.N.A	....4	GT811	AA60-40014A	PIN-GT,ASSY,AUTO	
....4	EY480	6042-000002	EYELET;ID1.5,OD2,L2.8,NI+SN,BSP3-1/2H	S.N.A	....4	C450	2401-001488	C-AL;47uF,20%,160V,WT,TP,13x20.5	
....4	EY481	6042-000002	EYELET;ID1.5,OD2,L2.8,NI+SN,BSP3-1/2H	S.N.A	....4	C826	2401-003141	C-AL;2200uF,20%,25V,WT,TP,13x25.5mm	
....4	EY482	6042-000002	EYELET;ID1.5,OD2,L2.8,NI+SN,BSP3-1/2H	S.N.A	....4	R464	2003-002196	R-METAL OXIDE(S);0.68ohm,5%,2W,AG,TP,3.9	
....4	EY483	6042-000002	EYELET;ID1.5,OD2,L2.8,NI+SN,BSP3-1/2H	S.N.A	....4	DZ802	0403-000705	DIODE-ZENER;TZP8.2B,8.2-9.3V,1000MW,DO-4	
....4	EY484	6042-000002	EYELET;ID1.5,OD2,L2.8,NI+SN,BSP3-1/2H	S.N.A	....4	DZ804	0403-000705	DIODE-ZENER;TZP8.2B,8.2-9.3V,1000MW,DO-4	
....4	EY485	6042-000002	EYELET;ID1.5,OD2,L2.8,NI+SN,BSP3-1/2H	S.N.A	....4	EL41	6042-000001	EYELET;ID2.2,OD2.7,L3.1,NI+SN,BSP3-1/2H	S.N.A
....4	EY486	6042-000002	EYELET;ID1.5,OD2,L2.8,NI+SN,BSP3-1/2H	S.N.A	....4	EL419	6042-000001	EYELET;ID2.2,OD2.7,L3.1,NI+SN,BSP3-1/2H	S.N.A
....4	EY487	6042-000002	EYELET;ID1.5,OD2,L2.8,NI+SN,BSP3-1/2H	S.N.A	....4	0	BP41-00070D	PCB SUB-POWER;SVP-43W6HE,CEM-1,1L,1.6T,3	S.N.A
....4	EY488	6042-000002	EYELET;ID1.5,OD2,L2.8,NI+SN,BSP3-1/2H	S.N.A	....3	GT401	AA60-40012F	PIN-GT;4P,2.36Pl,6/12/14mm,NYLON66,LOCKI	S.N.A
....4	EY489	6042-000002	EYELET;ID1.5,OD2,L2.8,NI+SN,BSP3-1/2H	S.N.A	....3	R806	2009-001011	R-METAL PLATE;0.18ohm,10%,5W,CL,TP,5x14x	
....4	EY490	6042-000002	EYELET;ID1.5,OD2,L2.8,NI+SN,BSP3-1/2H	S.N.A	....3	R806A	2009-001011	R-METAL PLATE;0.18ohm,10%,5W,CL,TP,5x14x	
....4	EY491	6042-000002	EYELET;ID1.5,OD2,L2.8,NI+SN,BSP3-1/2H	S.N.A	....3	CS801	2401-003370	C-AL;47uF,20%,450V,GP,BK,16X35.5.7.	
....4	EY492	6042-000002	EYELET;ID1.5,OD2,L2.8,NI+SN,BSP3-1/2H	S.N.A	....3	T0010	BP27-00001B	COIL CHOKE;400uH,10%,0.3ohm,1A,DR15x27.5	
....4	EY493	6042-000002	EYELET;ID1.5,OD2,L2.8,NI+SN,BSP3-1/2H	S.N.A	....3	M2893	BP39-00198A	LEAD CONNECTOR;UL1007#26,12,500,Gray, Wh	S.N.A
....4	EY494	6042-000002	EYELET;ID1.5,OD2,L2.8,NI+SN,BSP3-1/2H	S.N.A	....2	T0520	BP94-01392E	ASSY PCB MISC-LINE FILTER;CHAMP,BP94-010	S.N.A
....4	EY495	6042-000002	EYELET;ID1.5,OD2,L2.8,NI+SN,BSP3-1/2H	S.N.A	....3	T0245	0202-001366	SOLDER-WIRE FLUX;-RS60S,D1.2,63Sn/37Pb,	S.N.A
....4	EY496	6042-000002	EYELET;ID1.5,OD2,L2.8,NI+SN,BSP3-1/2H	S.N.A	....3	T0900	1404-001195	THERMISTOR-NTC;5.1ohm,15%,2900,27mW/C,BK	
....4	EY497	6042-000002	EYELET;ID1.5,OD2,L2.8,NI+SN,BSP3-1/2H	S.N.A	....3	CX801S	2301-001055	C-FILM,LEAD-PPF;330nF,20%,275V,TP,10x19.	
....4	EY498	6042-000002	EYELET;ID1.5,OD2,L2.8,NI+SN,BSP3-1/2H	S.N.A	....3	CX803S	2306-000318	C-FILM,LEAD-PPF;220nF,20%,250V,BK,-,22.5	
....4	EY499	6042-000002	EYELET;ID1.5,OD2,L2.8,NI+SN,BSP3-1/2H	S.N.A	....3	CX805S	2306-000318	C-FILM,LEAD-PPF;220nF,20%,250V,BK,-,22.5	
....4	EY500	6042-000002	EYELET;ID1.5,OD2,L2.8,NI+SN,BSP3-1/2H	S.N.A	....3	CX802S	2306-000321	C-FILM,LEAD-PPF;470nF,20%,275V,BK,31X11X	
....4	EY501	6042-000002	EYELET;ID1.5,OD2,L2.8,NI+SN,BSP3-1/2H	S.N.A	....3	T0121	3301-001201	CORE-FERRITE;AE,21x11x32mm,1500,280G	
....4	EY502	6042-000002	EYELET;ID1.5,OD2,L2.8,NI+SN,BSP3-1/2H	S.N.A	....3	FD802	3601-001007	FUSE-CARTRIDGE;250V,6.3A,TIME-LAG,GLASS,	
....4	EY503	6042-000002	EYELET;ID1.5,OD2,L2.8,NI+SN,BSP3-1/2H	S.N.A	....3	LX802S	AA29-00012A	FILTER LINE NOISE;CS29A6PF8X/HAC,-,0.1MA	
....4	EY504	6042-000002	EYELET;ID1.5,OD2,L2.8,NI+SN,BSP3-1/2H	S.N.A	....3	LX804S	AA29-00012A	FILTER LINE NOISE;CS29A6PF8X/HAC,-,0.1MA	
....4	EY505	6042-000002	EYELET;ID1.5,OD2,L2.8,NI+SN,BSP3-1/2H	S.N.A	....3	LX801S	AA29-30002L	FILTER LINE NOISE;-10mHMIN,5A,AC90-260V	
....4	EY506	6042-000002	EYELET;ID1.5,OD2,L2.8,NI+SN,BSP3-1/2H	S.N.A	....3	LX803S	AA29-30002M	FILTER LINE NOISE;-1mHMIN,5A,AC90-260V,	
....4	EY507	6042-000002	EYELET;ID1.5,OD2,L2.8,NI+SN,BSP3-1/2H	S.N.A	....3	T0245	AA39-20061B	LEAD CONNECTOR-ASSY;3P,50V,YFH800-03,S,	
....4	EY508	6042-000002	EYELET;ID1.5,OD2,L2.8,NI+SN,BSP3-1/2H	S.N.A	....3		BP97-00849K	ASSY AUTO-LINE FILTER;CHAMP	S.N.A
....4	EY509	6042-000002	EYELET;ID1.5,OD2,L2.8,NI+SN,BSP3-1/2H	S.N.A	....4	VP801S	1405-000152	VARIATOR;560V,2500A,14x8.5mm,TP	
....4	EY510	6042-000002	EYELET;ID1.5,OD2,L2.8,NI+SN,BSP3-1/2H	S.N.A	....4	VX801S	1405-000187	VARIATOR;750V,1250A,12.5x7mm,TP	
....4	EY511	6042-000002	EYELET;ID1.5,OD2,L2.8,NI+SN,BSP3-1/2H	S.N.A	....4	RP801S	2002-001010	R-COMPOSITION;1.8Mohm,5%,1/2W,AA,TP,3.7x	
....4	EY517	6042-000002	EYELET;ID1.5,OD2,L2.8,NI+SN,BSP3-1/2H	S.N.A	....4	F801A	3602-000114	FUSE-HOLDER;-,-,30mohm	
....4	EY518	6042-000002	EYELET;ID1.5,OD2,L2.8,NI+SN,BSP3-1/2H	S.N.A	....4	F801B	3602-000114	FUSE-HOLDER;-,-,30mohm	
....4	EY519	6042-000002	EYELET;ID1.5,OD2,L2.8,NI+SN,BSP3-1/2H	S.N.A	....4	EY01	6042-000002	EYELET;ID1.5,OD2,L2.8,NI+SN,BSP3-1/2H	S.N.A
....4	EY520	6042-000002	EYELET;ID1.5,OD2,L2.8,NI+SN,BSP3-1/2H	S.N.A	....4	EY02	6042-000002	EYELET;ID1.5,OD2,L2.8,NI+SN,BSP3-1/2H	S.N.A



Electrical Part List

Level	Loc.No.	Code No.	Description;Specification	Remark	Level	Loc.No.	Code No.	Description;Specification	Remark
.2		AA68-00371C	CARD WARRANTY-03;SEA,W/P100(G),1 YEAR	S.N.A					
.2	1	AA68-40065B	CARD-01,REGISTRATION;SEA,A5,ENG,A/P220,	S.N.A					
.2	T0074	BP59-00058A	REMOCON;CHAMP-2,TM76A,47,PJT,EX,SAMSUNG,						
...3	T0119	AA09-00371A	IC MICOM;SZTM-839C R-52MX,28PIN,16KBYTE,						
...3	T0122	2802-000194	RESONATOR-CERAMIC;8MHz,1.0%,TP,8.5x4.5x5						
.2	M0156	BP68-00289A	MANUAL USERS-01;HCP4252WX,Eng,W/P 120g,B	S.N.A					
.2		BP68-00339A	MANUAL USERS-QUICK GUIDE;HCP4252W,XAA,EN	S.N.A					
.2	0	AA68-03242B	MANUAL-SAFETY GUIDE;TH-ENG,SAFETY GUIDE	S.N.A					
.2	T0524	6902-000009	BAG PE;HDPE,T0.03,L400,W240,TRP,8,2,PE M	S.N.A					