

Messrs.

Change Notice of the Packing Form for FTO-220 / FTO-220A Package Products

Dear Valued Customer,

We hereby inform you of the change of the packing form for the captioned devices. Please see below for the details:

<Products concerned>

Diode products in FTO-220 and FTO-220A packages

<Content of Change>

The packing method shall be changed as shown below.

	Before	After
Minimum packing	Magazine 50 pcs per magazine	Polyethylene bag 100 pcs per bag
Inner box		406× 228× 51(mm) cont. 2,000 pcs (= 20 bags)
Dimensions & q'ty per outer box	530× 145× 110 (mm) cont. 2,000 pcs (= 40 magazines)	422× 244× 133 (mm) cont. 4,000 pcs (= 2 inner boxes)
Spec code	7100	7600

This change applies to the standard (straight lead) type products, and the packing form for the forming types would remain unchanged. As for the details, please see 1SK-060322 attached hereto.

<Reason of Change>

To eliminate the magazines made of PVC in consideration of global environment preservation.

<Implementation>

After obtaining your approval the switch shall be made gradually, and it shall be completed by February, 2007.

<Electrical Characteristics & Reliability>

Same as before.

If you have any questions, please do not hesitate to contact us.

Shindengen Electric Mfg. Co., Ltd.



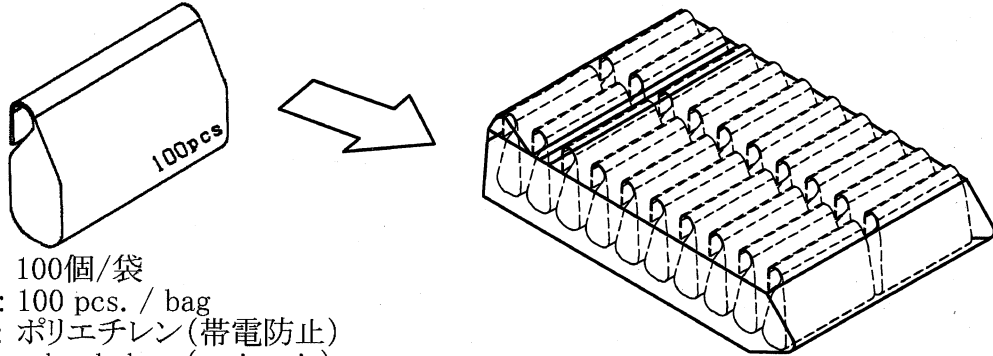
Masatoshi Nagashima

Manager

Semiconductor Quality Assurance Sect.

1. 袋梱包 Bag Packing

下記の袋に製品を収納する。
The products should be packed in the Bag.

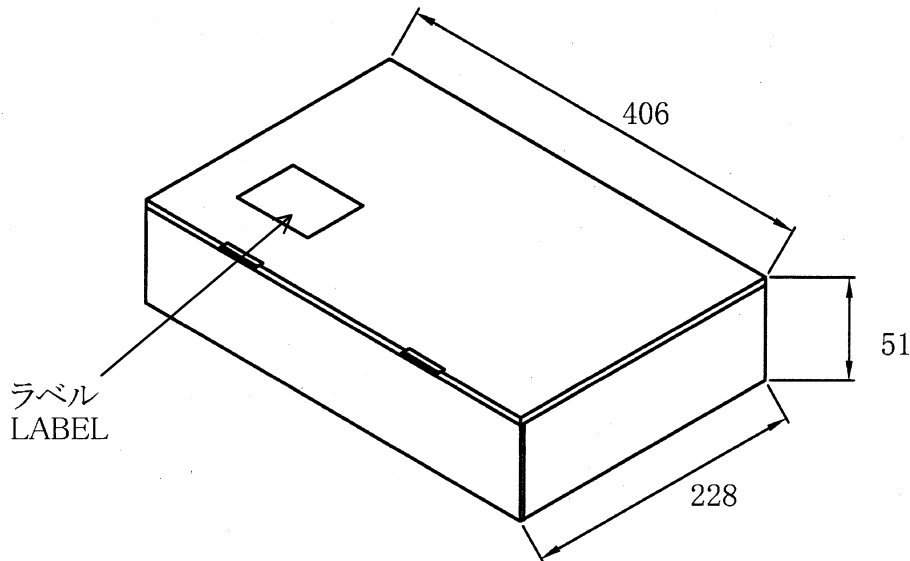


収納数 : 100個/袋
Quantity : 100 pcs. / bag
袋材質 : ポリエチレン(帯電防止)
Bag Material : polyethylene (antistatic)

収納数 : 2,000個/袋 (100個/袋 × 20袋)
Quantity : 2,000 pcs. / bag (100 pcs. / bag × 20 bags)
袋材質 : ポリエチレン
Bag Material : polyethylene

2. 内装梱包 Inner Packing

下記の段ボール箱に2,000個入りの袋を収納する。
Above 2,000 pcs. bag should be packed in the cardboard box below.



Unit:mm

収納数 : 2,000個 / 箱
Quantity : 2,000 pcs. / box

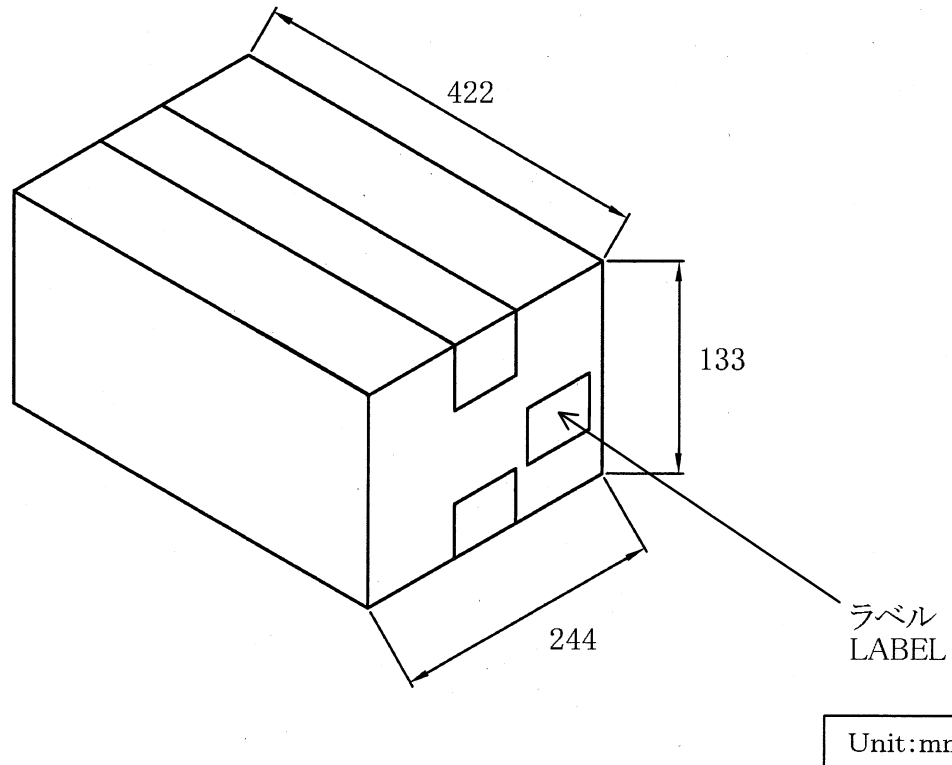
No.	Alteration Date	Alteration	No.	Alteration Date	Alteration
2			4		
1	Oct.13.2006	Newly	3		

SHINDENGEN ELECTRIC MFG.CO.,LTD. 新電元工業株式会社	Approval 	Check 	Design 	Specification No. 1SK-060322	Page 1/2
---	--------------	-----------	------------	---------------------------------	-------------

3. ダンボール箱梱包 Cardboard packing

上の内箱を下記のダンボール箱に収納する。
The above box should be packed into the cardboard box below.

内装箱 Inner Box	収納数 Quantity
2000個 / 箱 × 2箱 2000 pcs. / box × 2boxes	4,000 個 / 箱 4,000 pcs. / box



4. 運搬上の注意 Cautions for transportation

- 1) 運搬中に収納箱を投げないように注意してください。
収納箱がつぶれて、デバイスのリードが曲がる場合があります。
Be careful not to throw the packing boxes during transportation, as it may crush the boxes and the lead terminals of the devices may be deformed consequently.
- 2) パワーデバイスは単体の重量が重く何箱も積重ねると大きな重量が掛かり、リード曲りが発生することがありますので、積重ねは避けてください。
As power devices are heavy itself, too much piling of boxes causes huge load and there may be the deformation of the lead terminals. So please do not make such piles.