

**ELECTRONIC
DATA
INTERCHANGE**

**MESSAGE IMPLEMENTATION GUIDES
EDIFACT VERSION D96A
PART 3**

Application (Functional)
Acknowledgement (APERAK)



an **INOVIS** company

Version 1.00
September 2009



Table of Contents

Version Control	1
1. Introduction	2
1.1 General Approach	2
2. Additional Notes	2
2.1 Message Status	2
2.2 Definition	2
2.3 APERAK Response Flow	2
3. File Structure Diagram	3
4. File Structure	4
4.1 Header Section	4
4.2 Summary Section	4
5. Header Section	5
5.1 BGM: Beginning of Message	5
5.2 DTM: Date/Time/Period	5
5.3 Segment Group 1	6
5.3.1 RFF: Reference	6
5.4 Segment Group 2	7
5.4.1 NAD: Name and Address	7
6. Summary Section	8

Version Control

Version	Issue Date	Notes
1.00	September 2009	Initial release

1. Introduction

1.1 General Approach

This message allows for the electronic acknowledgement of messages sent from Unicare.

2. Additional Notes

2.1 Message Status

The following details have been extracted from the United Nations D96A directory notes:

Message Type	APERAK
Reference Directory	D96A
Status	Accepted

2.2 Definition

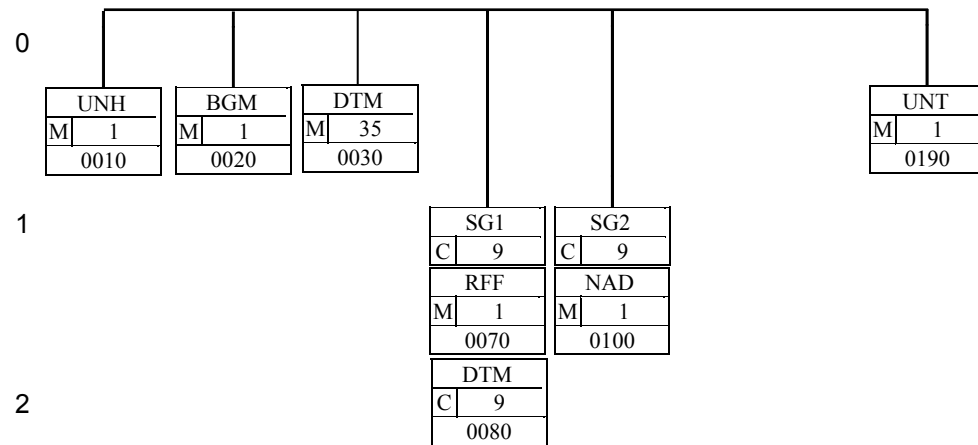
This message is used to inform a message issuer about the receipt of a message by the recipient's application.

2.3 APERAK Response Flow

All purchase orders issued by Unicare need to be acknowledged by using the APERAK message.

For details on the Purchase Orders refer to the Purchase Order Specification.

3. File Structure Diagram



4. File Structure

4.1 Header Section

Segment		M/C	Max	
UNH	MESSAGE HEADER	M	1	Refer to Syntax Guide for details
BGM	Beginning of Message	M	1	
DTM	Date/Time/Period	M	35	Repeat for each required date.
SG1	Segment Group 1	M	~	Repeat for each required reference
RFF	Reference	M	1	
DTM	Date/Time/Period	C	5	
SG2	Segment Group 2 (NAD-SG3)	M	~	Repeat for each required entity
NAD	Name and Address	M	1	

4.2 Summary Section

Segment		M/C	Max	
UNT	MESSAGE TRAILER	M	1	Refer to Syntax Guide for details

5. Header Section

Segment		M/C	Max	
UNH	MESSAGE HEADER	M	1	Refer to Syntax Guide for details
BGM	Beginning of Message	M	1	
DTM	Date/Time/Period	M	35	Repeat for each required date.
SG1	Segment Group 1	M	~	Repeat for each required reference
RFF	Reference	M	1	
SG2	Segment Group 2	M	~	Repeat for each required entity
NAD	Name and Address	M	1	

5.1 BGM: Beginning of Message

Element		M/C	?	F/V	Picture	Notes
C002	DOCUMENT/MESSAGE NAME	C	M			
	1001 Document/Message Name (Code)	C	M	V	X(3)	"12E" Order Response
	1131 Code List Qualifier	C	X	V	X(3)	
	3055 Responsible Agency Code	C	X	V	X(3)	
	1000 Document/Message Name	C	X	V	X(35)	
1004	Document/Message Number	C	M*	V	X(35)	Order Response Number
1225	Message Function, Coded	C	M*	V	X(3)	"6" Confirmation
4343	Response Type, Coded	C	X*	V	X(3)	

Example:

BGM+12E+1234567+6'

5.2 DTM: Date/Time/Period

Element		M/C	?	F/V	Picture	Notes
C507	DATE/TIME/PERIOD	M	M			
	2005 Date/Time/Period Qualifier	M	M	V	X(3)	"17" Reference Date
	2380 Date/Time/Period	C	M*	V	X(35)	
	2379 Format Qualifier	C	M*	V	X(3)	"137" = CCYYMMDD

Example:

DTM+171:20090301:137'

5.3 Segment Group 1

A group of segments for giving references and where necessary, their dates, relating to the whole message, e.g. batch number.

5.3.1 RFF: Reference

Element			M/C	?	F/V	Picture	Notes
C506	REFERENCE		M	M			
	1153	Reference Qualifier	M	M	V	X(3)	"ALL"
	1154	Reference Number	C	M*	V	X(35)	Message Batch ID
	1156	Line Number	C	X*	V	X(6)	
	4000	Reference Version Number	C	X*	V	X(35)	

Example:
RFF+ALL:0001'

5.4 Segment Group 2

5.4.1 NAD: Name and Address

Element		M/C	?	F/V	Picture	Notes
3035	Party Qualifier	M	M	V	X(3)	
C082	PARTY IDENTIFICATION DETAILS	C	M*			
	3039 Party Identification	M	M	V	X(35)	
	1131 Code List Qualifier	C	X*	V	X(3)	
	3055 Responsible Agency	C	M*	V	X(3)	"9"
C058	NAME AND ADDRESS (FREE FORM)	C	X*			Compound not used
C080	PARTY NAME	C	D			
	3036 Party Name	M	M	V	X(35)	
	3036 Party Name	C	X*	V	X(35)	
	3036 Party Name	C	X*	V	X(35)	
	3036 Party Name	C	X*	V	X(35)	
	3036 Party Name	C	X*	V	X(35)	
	3045 Party Name Format, Coded	C	X*	V	X(3)	
C059	STREET	C	D			
	3042 Street and Number / PO Box	M	M	V	X(35)	
	3042 Street and Number / PO Box	C	D	V	X(35)	
	3042 Street and Number / PO Box	C	D	V	X(35)	
	3042 Street and Number / PO Box	C	D	V	X(35)	
3164	City Name	C	D	V	X(35)	
3229	Country Sub-Entity (County)	C	D	V	X(35)	
3251	Postcode	C	D	V	X(35)	
3207	Country, Coded	C	C	V	X(3)	ISO Country Code

Example:

NAD+SU+5050085000009::9++SUPPLIER NAME;ADDRESS1:ADDRESS2:ADDRESS3:ADDRESS4++Post Code'
 NAD+BY+9999999999999999::9++UNICARE PLC:2ND FLOOR:CHERRYWOOD TECH PARK:CABINTEELY++'

The NAD segment will need to be repeated with the following qualifiers:

Qualifier	Description	Note
SU	Supplier / Vendor	Mandatory
BY	Buyer (Unicare)	Mandatory

6. Summary Section

Segment		M/C	Max	
UNT	MESSAGE TRAILER	M	1	Refer to Syntax Guide for details