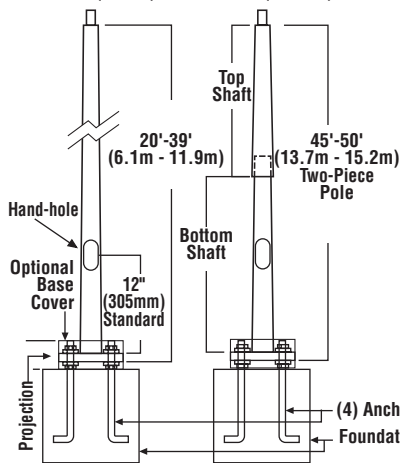


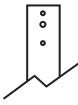
STEEL ROUND TAPERED POLES

DIMENSIONS

ONE-PIECE RTPN – **TWO-PIECE RTPN** –
N = 2-3/8" (60mm) O.D. x 4-3/4" (121mm) Tenon



RTPB5 –
Bolt-On Mount,
2-Bolt Pattern



SF –
Single Flood
Pole Preparation



POLE SHAFT - Pole shaft is electro-welded ASTM-A595 Grade A steel tubing with a minimum yield strength of 55,000 psi. On Tenon Mount steel poles, tenon is 2-3/8" O.D. high-strength pipe. Tenon is 4-3/4" in length.

HAND-HOLE - Standard hand-hole location is 12" above pole base. Hand-hole size is 4" x 6" and reinforced.

BASE - Pole base is ASTM-A36 hot-rolled steel plate with a minimum yield strength of 36,000 psi. Two-piece square base cover is optional.

ANCHOR BOLTS - Poles are furnished with anchor bolts featuring zinc-plated double nuts and washers. Galvanized anchor bolts are optional. Anchor bolts conform to ASTM F 1554-07a Grade 55 with a minimum yield strength of 55,000 psi.

GROUND LUG - Ground lug is standard.

DUPLEX RECEPTACLE - Weatherproof duplex receptacle is optional.

GROUND FAULT CIRCUIT INTERRUPTER - Ground fault circuit interrupter is optional.

FINISHES - Each pole is finished with DuraGrip®, LSI's baked-on polyester-powder finishing process which electrostatically applies and fuses a polyester powder to the pole. Provides an extremely smooth and uniform finish to withstand extreme weather changes without cracking or peeling, and features a five-year limited warranty. Optional DuraGrip® Plus features the added protection of a 3.0 to 5.0 mil thickness of polyester-powder finish plus an inner coating, as well as a seven-year limited warranty.

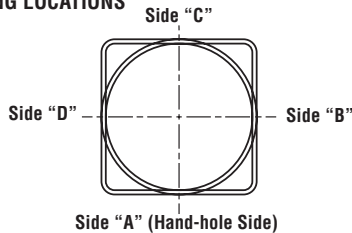
DETERMINING THE LUMINAIRE/POLE COMBINATION FOR YOUR APPLICATION:

- Select luminaire from luminaire ordering information
- Select bracket configuration if required
- Determine EPA value from luminaire/bracket EPA chart
- Select pole height
- Select MPH to match wind speed in the application area (See windspeed map).
- Confirm pole EPA equal to or exceeding value from note above
- Consult factory for special wind load requirements and banner brackets

ONE-PIECE SHAFT	Pole Bottom	Pole Top
20' (6.1m)	5.80" (147mm) O.D.	3.0" (76mm) O.D.
25' (7.1m)	6.60" (168mm) O.D.	3.10" (79mm) O.D.
30' (9.1m)	7.50" (191mm) O.D.	3.30" (84mm) O.D.
35' (10.7m)	8.50" (216mm) O.D.	3.60" (91mm) O.D.
39' (11.9m)	9.00" (229mm) O.D.	3.54" (90mm) O.D.

TWO-PIECE SHAFT						
Height	Top Shaft			Bottom Shaft		
	Top	Bottom	Length	Top	Bottom	Length
45' (13.7m)	3.95" O.D. (100mm)	6.89" O.D. (175mm)	21'-0" (6.4m)	6.43" O.D. (163mm)	10.00" O.D. (254mm)	25'-6" (7.8m)
50' (15.2m)	3.25" O.D. (83mm)	6.89" O.D. (175mm)	26'-0" (7.9m)	6.43" O.D. (163mm)	10.00" O.D. (254mm)	25'-6" (7.8m)

DRILLING LOCATIONS



Sides	A	B	C	D
Hand-hole	X			
Single	X			
D180°		X		X
D90°	X			X
T90°	X	X		X
TN120°*	X			
Q90°	X	X	X	X
Single FBO	X			
Double FBO		X		X

*Other two locations will be 120° to the left and right of Side A.

Note: Standard SF and DF pole preparations are located 3/4 of the height of the pole from the base, except on 20' poles. Maximum height for SF and DF pole preparations on 20' poles is 13' from the base.

SHIPPING WEIGHTS - Round Steel Tapered Poles

20' (6.1m) S11 Ga. is approximately	153 lbs. (69kg)
25' (7.6m) S11 Ga. is approximately	196 lbs. (89kg)
30' (9.1m) S11 Ga. is approximately	247 lbs. (112kg)
35' (10.7m) S11 Ga. is approximately	319 lbs. (145kg)
39' (11.9m) S11 Ga. is approximately	358 lbs. (162kg)
39' (11.9m) S07 Ga. is approximately	529 lbs. (240kg)
45' (13.7m) S07 Ga. is approximately	622 lbs. (282kg)
50' (15.2m) S07 Ga. is approximately	646 lbs. (293kg)
Anchor Bolts (1" x 36") (25mm x 914mm)	30 lbs. (14kg)/set
Anchor Bolts (1-1/4" x 42") (32mm x 1069mm)	63 lbs. (29kg)/set

POLE SELECTION CHART (steel round tapered poles)

Height	EPA™				Material	Bolt Circle
	70 MPH	80 MPH	90 MPH	100 MPH		
20' (6.1m)	33.6	24.8	18.8	14.4	S11 Ga.	N
25' (7.6m)	31.4	22.9	17.0	12.8	S11 Ga.	N
30' (9.1m)	30.7	22.0	16.0	11.7	S11 Ga.	N
35' (10.7m)	30.1	21.1	14.9	10.5	S11 Ga.	Q
39' (11.9m)	27.1	18.5	12.6	8.4	S11 Ga.	Q
39' (11.9m)	51.1	36.9	27.1	20.2	S07 Ga.	S
45' (13.7m)	42.3	31.4	24.0	18.6	S07 Ga.	T
50' (15.2m)	28.9	21.0	15.6	11.7	S07 Ga.	T

† EPA based on ANSI/ASCE 7-93. Refer to EPA information on next page. For applications in Canada and areas using code requirements other than ANSI/ASCE 7-93, consult factory. If luminaire weight exceeds 250 lbs. (113.4 kg), consult factory.

* 45' and 50' poles are two-piece; bottom is S07G and top is S11G.

ARRA
 Funding Compliant



Project Name _____ Fixture Type _____
 Catalog # _____

01/23/15

© 2015
 LSI INDUSTRIES INC.

STEEL ROUND TAPERED POLES

POLE ORDERING INFORMATION

TYPICAL ORDER EXAMPLE: **RTPB5 S11G 35 S PLP DGP**

Pole Series	Material	Height ¹	Mounting Configuration	Pole Finish	Options
Round Tapered Pole for Bolt-On Mount 2-Bolt Pattern RTPB5 - 5" Traditional drilling pattern	S11G - 11 Ga. Steel S07G - 07 Ga. Steel	20' 25' 30' 35' 39' 45' 50'	S - Single/Parallel D180° - Double D90° - Double DN90° - Double T90° - Triple TN120° - Triple Q90° - Quad	BRZ - Bronze BLK - Black PLP - Platinum Plus WHT - White SVG - Satin Verde Green GPT - Graphite MSV - Metallic Silver	GA - Galvanized Anchor Bolts SF - Single Flood ² DF - Double Flood ² DGP - DuraGrip® Plus LAB - Less Anchor Bolts OSXX - Pole preparation for PMOS Occupancy Sensor ³
Round Tapered Pole for Pole Top Mount RTPP	Consult Pole Selection Chart on opposite page		PT - Pole Top Mount	Standard SF and DF pole preparations are located 3/4 of the height of the pole from the base, except on 20' poles. Maximum height for SF and DF pole preparations on 20' poles is 13' from the base.	
Round Tapered Pole for Tenon Mount RTPN			N - Tenon Mount (Standard tenon size is 2-3/8" O.D.)		

ACCESSORY ORDERING INFORMATION		(Accessories are field installed)	
Description	Order Number	Description	Order Number
20 SRTBC Square Base Cover	158388CLR	50 SRTBC Square Base Cover	158578CLR
25 SRTBC Square Base Cover	158390CLR	ER2 - Weatherproof RTP Duplex Receptacle	122568CLR
30 SRTBC Square Base Cover	158392CLR	GFI - Ground Fault RTP Circuit Interrupter	122569CLR
35 SRTBC Square Base Cover	158554CLR	MHD - Mounting Hole Weatherproof Decal	340120
39 SRTBC Square Base Cover	155887CLR	PMOS120 - 120V Occupancy Sensor	518030CLR ⁴
45 SRTBC Square Base Cover	158571CLR	PMOS208/240 - 208, 240V Occupancy Sensor	C/F ⁴
		PMOS277 - 277V Occupancy Sensor	518029CLR ⁴

FOOTNOTES:

- 1 - Pole heights will have +/- 1/2" tolerance.
- 2 - See Flood Lighting Brackets Section for choice of FBO brackets.
- 3 - Order PMOS separately. Change "XX" to indicate height and side of pole location for pole preparation. EX: 01S8A indicates preparation is to be 18ft. up from pole base on side A. Optimal distance from ground to sensor is 20ft.
- 4 - OSXX option required. Not for use with Metal Halide fixtures.

BOLT CIRCLE					EPA INFORMATION
					<p>All LSI Industries' poles are guaranteed to meet the EPA requirements listed. LSI Industries is not responsible if a pole order has a lower EPA rating than the indicated wind-loading zone where the pole will be located. CAUTION: This guarantee does not apply if the pole/bracket/fixture combination is used to support any other items such as flags, pennants, or signs, which would add stress to the pole. LSI Industries cannot accept responsibility for harm or damage caused in these situations.</p> <p>NOTE: Pole calculations include a 1.3 gust factor over steady wind velocity. Example: poles designed to withstand 80 MPH steady wind will withstand gusts to 104 MPH. EPAs are for locations 100 miles away from hurricane ocean lines. Consult LSI for other areas. Note: Hurricane ocean lines are the Atlantic and Gulf of Mexico coastal areas. For applications in Florida or Canada, consult factory.</p>
Bolt Circle	Slotted 11" (279mm)	Slotted 12" (305mm)	Slotted 12" (305mm)	Slotted 14" (356mm)	
Anchor Bolt Size	1" x 36" (25mm x 914mm)	1" x 36" (25mm x 914mm)	1-1/4" x 42" (32mm x 1067mm)	1-1/4" x 42" (32mm x 1067mm)	
Anchor Bolt Projection	4" (102mm)	4" (102mm)	5" (127mm)	5" (127mm)	
Base Plate Dimensions	10-1/8" sq. x 1" thk. (257mm x 25mm)	12" sq. x 1" thk. (305mm x 25mm)	12" sq. x 1-1/4" thk. (305mm x 32mm)	13-1/2" sq. x 1-1/4" thk. (343mm x 32mm)	
Note: Base plate illustrations may change without notice. Do not use for setting anchor bolts. Consult factory for the base plate templates.					



Project Name _____ Fixture Type _____
Catalog # _____

01/23/15
© 2015
LSI INDUSTRIES INC.