



FAMI has always paid special attention to the ecological impact of its production and is constantly committed to research into production technologies that put ecological factors in pride of place.

The careful selection of the raw materials, combined with overall plant modernisation, has allowed the company to manufacture its products in compliance with the parameters established by anti-pollution regulations.

SYMBOLS

ATTENTION



Please pay great attention to the indications highlighted by this symbol.

COLOURS / RAL / MATERIALS



The colours of the articles shown in this catalogue are approximate: please refer to the FAMI colour charts or the RAL universal tables for precise indications.

LOAD



All indicated loads are net and refer to evenly distributed weights.

GUARANTEE



The FAMI polypropylene containers are guaranteed for five years against all manufacturing defects. This guarantee does not cover deterioration caused by improper use.

ASSEMBLY



This symbol indicates that the article to which it refers is assembled with bolts.

SUITABLE FOR FOOD



The containers marked with this symbol have been produced using non-toxic materials and are therefore suitable for contact with foodstuffs.

INFORMATION



This symbol indicates which pages should be consulted in order to find detailed product information.

ASK FOR CATALOGUE



This symbol means that a detailed catalogue may be requested if further explanations on the specific subject in the section are required.



The FAMI polypropylene stacking and storage containers have been designed and produced to offer companies rational solutions to their various material storage and handling requirements.

First class raw materials, together with detailed structural research are the basis for this top quality product. The wide range of containers is available in five colours to allow the storage of materials in easily recognisable categories.



The FAMI storage containers are eco-friendly as they can be totally recycled. The product, in fact, can be transformed into granules and totally reinserted into the production cycle of new containers.

The structures of the polypropylene stacking and storage containers are reinforced with sturdy ribbing at the critical points in order to withstand the heaviest of loads and be extremely shock resistant.



The lateral ribbing at the bottom of the FAMI polypropylene stacking and storage containers offers trouble-free stacking even when fully loaded.

The labels inserted in their relative holders allow the contents to be easily identified. Smaller label holders and larger one for longer descriptions are also available.





carrying handle

Lifting and Transportation:
 - the stacking containers are fitted with handles for easy carrying even if the operator wears gloves;
 - containers are either fitted with a practical carrying bar and handle whilst some containers are fitted with two handles.



bar and carrying handle



Any size item be stored within the wide range of available containers. A range of troughs to sub-divide the containers to suit any requirement permits the rationalisation of available space.

The FAMI stacking and storage containers provide excellent solutions for all sectors: from transport, distribution, commerce and industry (from food to metal-working). Injection moulded with top quality polypropylene, they are unaffected by temperature changes and are resistant to oil, grease, solvents and most commonly used industrial acids.



resistant to high and low temperatures



oil-resistant



the stacking containers marked with this symbol can be used to store foodstuffs



The FAMI polypropylene stacking and storage containers are guaranteed for five years on manufacturing faults. This guarantee does not cover deterioration caused by improper handling and use.

Company logos to support corporate identity and advertising can be printed or moulded onto one or more sides of the FAMI polypropylene stacking and storage containers.



POLYPROPYLENE STACKING AND STORAGE CONTAINERS

A.1

ZEUS SERIES STACKING CONTAINERS

A.5

ZEUS - COMPAT SERIES STACKING CONTAINERS

A.9

TROUGHES

A.11

ACCESSORIES FOR STORAGE CONTAINERS

ZEUS SERIES STACKING CONTAINERS

Zeus Series containers cater for any specific storage requirement. The Zeus containers are light and due to the smooth sides clean easily. The sturdy edge allows firm and safe stacking. Easy stacking, together with elevated load capacity, ensures the available warehouse space is exploited to the most and guarantees trouble-free handling. The stacking containers adapt perfectly to standard pallets and due to the smooth container base can be utilized on roller or belt conveyor systems whilst keeping the stored materials well protected and easy to access within the sturdy container.



Art. FPJ0151 00 04
mm 145x90x70h

Art. FPJ1751 00 04
mm 145x140x70h

Art. FPJ2551 00 01
mm 200x140x130h

Art. FPJ3351 00 02
mm 300x200x145h

Art. FPJ6551 00 05
mm 450x300x200h

Art. FPJ5751 00 04
mm 450x300x120h

Art. FPJ7351 00 02
mm 450x300x300h

Art. FPJ8951 00 03
mm 630x450x300h

COLOUR CHART

01 grey	☒
02 green	
03 red	
04 blue	☒
05 yellow	



PP



the stacking containers marked with this symbol can be used to store foodstuffs



ZEUS SERIES STACKING CONTAINERS



carrying handles



POLYPROPYLENE STACKING CONTAINER

Series Zeus plastic stacking containers	container art.	standard dimensions (mm)	capacity (litres)	weight (g)
	F P J 0151 00 04 <i>blue</i>	145x90x70	0.9	66
	F P J 1751 00 04 <i>blue</i>	145x140x70	1.4	94
	size 272-2 F P J 2551 00 01 <i>grey</i> F P J 2551 00 02 <i>green</i> F P J 2551 00 03 <i>red</i> F P J 2551 00 04 <i>blue</i> F P J 2551 00 05 <i>yellow</i>	200x140x130	3.6	274
	size 272-3 A2 F P J 3351 00 01 <i>grey</i> F P J 3351 00 02 <i>green</i> F P J 3351 00 03 <i>red</i> F P J 3351 00 04 <i>blue</i> F P J 3351 00 05 <i>yellow</i>	300x200x145	8.7	522
	size 272-4 A2 F P J 5751 00 01 <i>grey</i> F P J 5751 00 02 <i>green</i> F P J 5751 00 03 <i>red</i> F P J 5751 00 04 <i>blue</i> F P J 5751 00 05 <i>yellow</i>	450x300x120	16.2	910
	size 272-4 F P J 6551 00 01 <i>grey</i> F P J 6551 00 02 <i>vgreen</i> F P J 6551 00 03 <i>red</i> F P J 6551 00 04 <i>blue</i> F P J 6551 00 05 <i>yellow</i>	450x300x200	27	1300
	size 272-4 A5 F P J 7351 00 01 <i>grey</i> F P J 7351 00 02 <i>green</i> F P J 7351 00 03 <i>red</i> F P J 7351 00 04 <i>blue</i> F P J 7351 00 05 <i>yellow</i>	450x300x300	40.5	1780
	size 272-5 F P J 8951 00 01 <i>grey</i> F P J 8951 00 02 <i>green</i> F P J 8951 00 03 <i>red</i> F P J 8951 00 04 <i>blue</i> F P J 8951 00 05 <i>yellow</i>	630x450x300	85	4280

The technical data contained in the above table is approximate. FAMI SpA reserves the right to make any modifications it sees fit to improve the performance and appearance of products. The manufacturer is not liable for any printing errors.

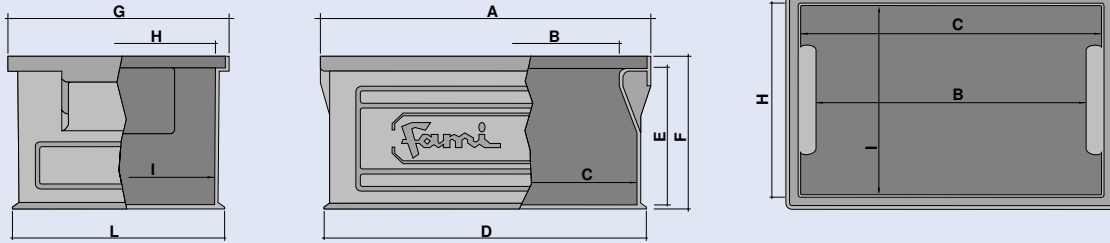


see page A.3 for technical specifications





ZEUS SERIES STACKING CONTAINERS - TECHNICAL SPECIFICATIONS

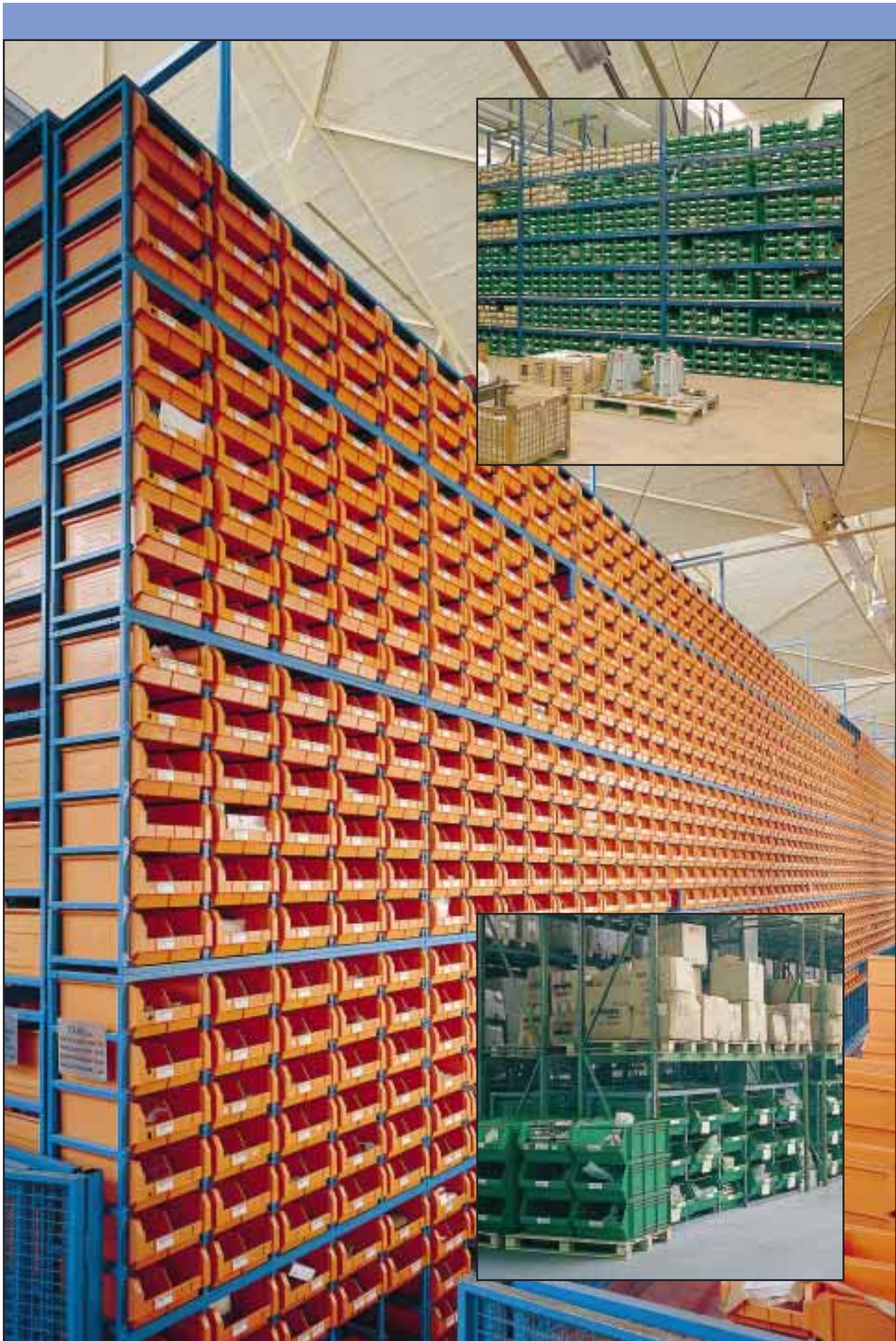


container art.	A	B	C	D	E	F	G	H	I	L
F PJ 0151 00 04	144	128	123	136	64	70	90	85	123	83
F PJ 1751 00 04	144	128	127	136	63	70	138	132	123	136
F PJ 2551 00 ..	210	178	186	200	110	122	143	130	125	139
F PJ 3351 00 ..	311	255	285	303	131	144	208	185	182	200
F PJ 6551 00 ..	462	400	430	450	181	198	312	280	275	300
F PJ 5751 00 ..	464	429	425	455	105	120	313	278	275	304
F PJ 7351 00 ..	465	405	425	451	285	300	314	280	275	300
F PJ 8951 00 ..	653	572	600	630	277	300	470	435	428	450

The technical data contained in the above table is approximate. FAMI SpA reserves the right to make any modifications it sees fit to improve the performance and appearance of products. The manufacturer is not liable for any printing errors.

NOTES

Horizontal lines for notes.



ZEUS-COMPAT SERIES STACKING CONTAINERS

These polypropylene stacking containers of the Zeus and Compat series are the perfect solution for all storage problems both in the warehouse and the workshop.

They allow to keep the various components close at hand and access them with the greatest of ease.

These containers can be firmly and safely stacked and the material they contain is easy to access even when they are stacked.

The Compat version features double front walls that ensure maximum stability even when stacked.

A carrying bar is fixed with self-threading screws to all the series Zeus containers.

This prevents the side walls from deforming under heavy loads and makes the container easier to carry.

Art. F PL 0951 00 03
mm 85/ 65x95x45h

Art. F PL 0151 00 01
mm 72/ 60x45x32h

Art. F PM 1751 00 04
mm 160/ 140x95x75h

Art. F PM 2551 00 05
mm 230/ 200x140x130h

Art. F PM 3351 00 03
mm 350/ 300x200x145h

Art. F PM 4151 00 01
mm 350/ 300x200x200h

Art. F PM 5751 00 04
mm 500/ 450x300x145h

Art. F PM 6651 00 05
mm 500/ 450x300x200h

Art. F PM 6551 00 03
mm 500/ 450x300x200h

Art. F PM 7351 00 01
mm 500/ 450x300x300h

Art. F PL 4951 00 04
mm 350/ 300x450x145h

Art. F PL 8151 00 05
mm 520/ 450x450x300h

Art. F PL 8951 00 03
mm 700/ 630x450x300h

COLOUR CHART

01 grey	
02 green	
03 red	
04 blue	
05 yellow	



the stacking containers marked with this symbol can be used to store foodstuffs

ZEUS-COMPAT SERIES STACKING CONTAINERS



SERIES COMPAT STORAGE CONTAINERS



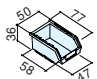
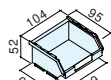
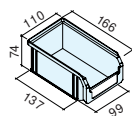
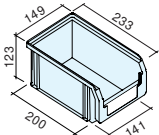
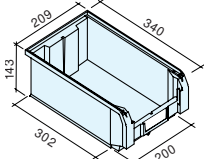
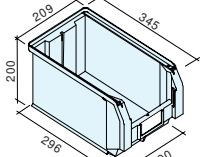
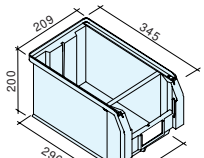
carrying handles



SERIES COMPAT STORAGE CONTAINERS WITH CARRYING BAR (ORDER NO. BY REQUEST)

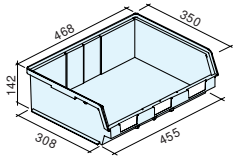
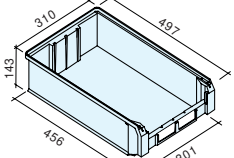
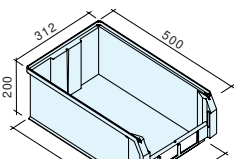
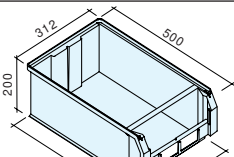
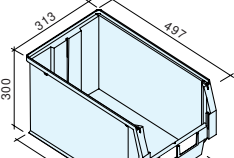
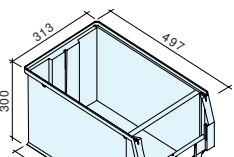
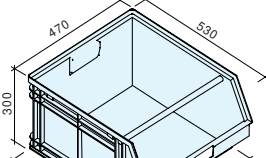
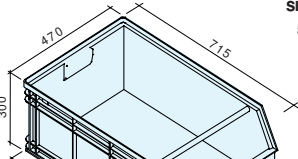


carrying handles and carrying bar

polypropylene stacking containers	container art.	dimension (mm)	capacity (litres)	weight (g)
 size 01	F PL 0151 00 01 grey F PL 0151 00 02 green F PL 0151 00 03 red F PL 0151 00 04 blue F PL 0151 00 05 yellow	72/ 60x45x32	0,08	16
 size 0	F PL 0951 00 01 grey F PL 0951 00 02 green F PL 0951 00 03 red F PL 0951 00 04 blue F PL 0951 00 05 yellow	85/ 65x95x45	0,25	39
 size 1	F PM 1751 00 01 grey F PM 1751 00 02 green F PM 1751 00 03 red F PM 1751 00 04 blue F PM 1751 00 05 yellow	160/ 140x95x75	1	97
 size 2	F PM 2551 00 01 grey F PM 2551 00 02 green F PM 2551 00 03 red F PM 2551 00 04 blue F PM 2551 00 05 yellow	230/ 200x140x130	3,8	280
 size 3A2	F PM 3351 00 01 grey F PM 3351 00 02 green F PM 3351 00 03 red F PM 3351 00 04 blue F PM 3351 00 05 yellow	350/ 300x200x145	9,4	585
 size 3	F PM 4151 00 01 grey F PM 4151 00 02 green F PM 4151 00 03 red F PM 4151 00 04 blue F PM 4151 00 05 yellow	350/ 300x200x200	12,5	745
 size 3	F PM 4251 00 01 grey F PM 4251 00 02 blue F PM 4251 00 03 red F PM 4251 00 04 blue F PM 4251 00 05 yellow (with carrying bar) ART. BY REQUEST	350/ 300x200x200	12,5	755

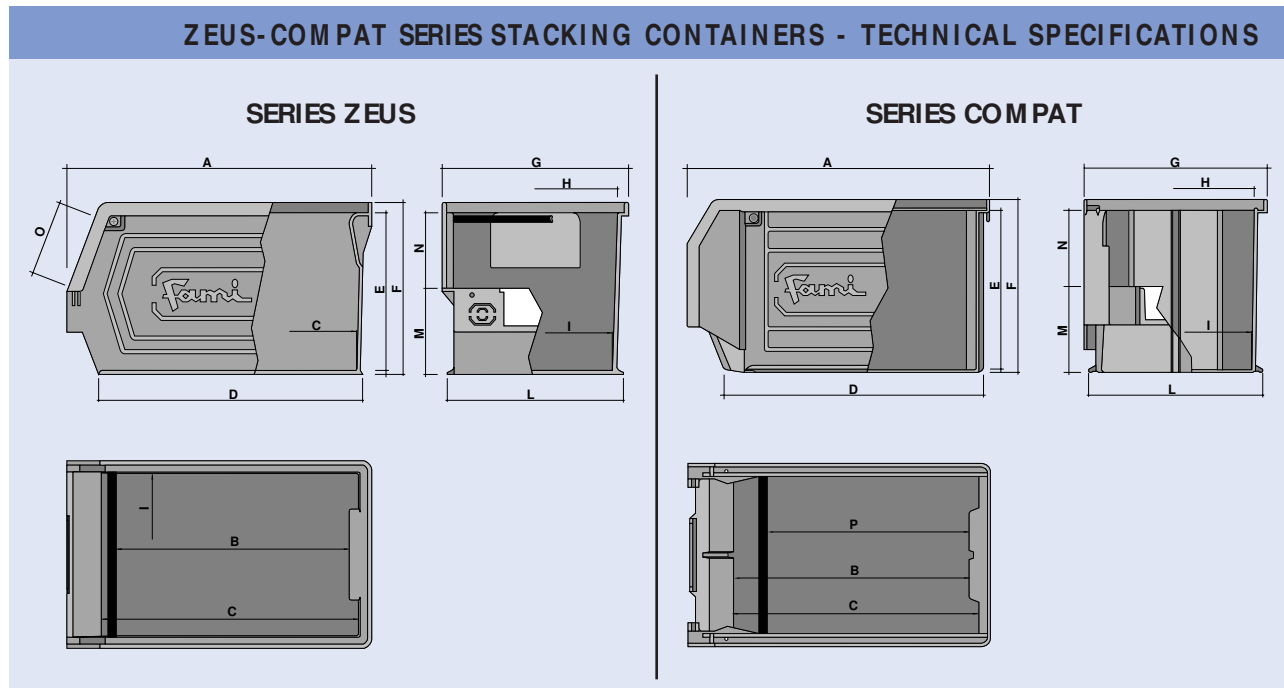
cont./..

ZEUS-COM PAT SERIES STACKING CONTAINERS

polypropylene stacking containers	container art.	dimension (mm)	capacity (litres)	weight (g)
 <p>size 3L5</p>	F PL 4951 00 01 grey F PL 4951 00 02 green F PL 4951 00 03 red F PL 4951 00 04 blue F PL 4951 00 05 yellow	350/ 300x450x145	19	1075
 <p>size 4A2</p>	F PM 5751 00 01 grey F PM 5751 00 02 green F PM 5751 00 03 red F PM 5751 00 04 blue F PM 5751 00 05 yellow	500/ 450x300x145	20	1150
 <p>size 4</p>	F PM 6551 00 01 grey F PM 6551 00 02 green F PM 6551 00 03 red F PM 6551 00 04 blue F PM 6551 00 05 yellow	500/ 450x300x200	28	1452
 <p>size 4</p>	F PM 6651 00 01 grey F PM 6651 00 02 green F PM 6651 00 03 red F PM 6651 00 04 blue F PM 6651 00 05 yellow (with carrying bar) ART. BY REQUEST	500/ 450x300x200	28	1370
 <p>size 4A5</p>	F PM 7351 00 01 grey F PM 7351 00 02 green F PM 7351 00 03 red F PM 7351 00 04 blue F PM 7351 00 05 yellow	520/ 450x300x300	42	1900
 <p>size 4A5</p>	F PM 7451 00 01 grey F PM 7451 00 02 green F PM 7451 00 03 red F PM 7451 00 04 blue F PM 7451 00 05 yellow (with carrying bar) ART. BY REQUEST	500/ 450x300x300	42	1900
 <p>size 5P4</p>	F PL 8151 00 01 grey F PL 8151 00 02 green F PL 8151 00 03 red F PL 8151 00 04 blue F PL 8151 00 05 yellow (with carrying bar)	520/ 450x450x300	63	3300
 <p>size 5</p>	F PL 8951 00 01 grey F PL 8951 00 02 green F PL 8951 00 03 red F PL 8951 00 04 blue F PL 8951 00 05 yellow (with carrying bar)	700/ 630x450x300	88	4300

The technical data contained in the above table is approximate. FAMI SpA reserves the right to make any modifications it sees fit to improve the performance and appearance of products. The manufacturer is not liable for any printing errors.

ZEUS-COMPAT SERIES STACKING CONTAINERS - TECHNICAL SPECIFICATIONS



SERIES ZEUS

container art.	A	B	C	D	E	F	G	H	I	L	M	N	O
F PL 0151 00 ..	77	-	56	59	32	36	50	40	38	47	18	14	-
F PL 0951 00 ..	95	-	63	67	44	52	104	93	90	99	27	18	-
F PL 4951 00 ..	350	-	293	310	132	145	468	439	431	455	76	60	127
F PL 8151 00 ..	530	362	430	450	275	300	470	435	428	456	150	131	148
F PL 8951 00 ..	715	593	615	634	276	300	470	435	428	458	151	131	148

The technical data contained in the above table is approximate. FAMI SpA reserves the right to make any modifications it sees fit to improve the performance and appearance of products. The manufacturer is not liable for any printing errors.

SERIES COMPAT

container art.	A	B	C	D	E	F	G	H	I	L	M	N	P
F PM 1751 00 ..	166	132	130	135	65	74	110	87	87	99	34	33	-
F PM 2551 00 ..	233	189	190	200	111	123	149	127	125	141	60	52	-
F PM 3351 00 ..	340	272	284	295	130	143	209	185	182	200	71	60	-
F PM 4151 00 ..	345	268	277	290	185	200	209	180	178	200	100	87	-
F PM 4251 00 ..	345	268	277	290	185	200	209	180	178	200	100	87	240
F PM 5751 00 ..	497	425	437	446	129	143	310	285	280	301	71	59	-
F PM 6551 00 ..	500	424	434	440	185	200	312	285	282	302	100	89	-
F PM 6651 00 ..	500	424	434	440	185	200	312	285	282	302	100	89	393
F PM 7351 00 ..	497	432	434	450	285	300	313	278	278	302	149	138	-
F PM 7451 00 ..	497	432	434	450	285	300	313	278	278	302	149	138	393

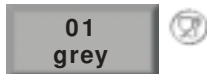
The technical data contained in the above table is approximate. FAMI SpA reserves the right to make any modifications it sees fit to improve the performance and appearance of products. The manufacturer is not liable for any printing errors.

TROUGHS

TROUGHS

Made from polypropylene, the troughs can divide the container into 6 or 8 compartments according to requirements.

COLOUR CHART



the stacking containers marked with this symbol can be used to store foodstuffs



Art. F PJ 2551 00 04
mm 200x140x130h



Container Art. F PL 8951 00 04
with 8 troughs Art. F PJ 2551 00 01



Container Art. F PL 8151 00 03
with 6 troughs Art. F PJ 2551 00 05

trough art.	trough dimensions mm	for containers art.	no. of troughs
F PJ 2551 00 01 <i>grey</i>	200x140x130h	F PL 8151 00 ..	6
F PJ 2551 00 02 <i>green</i>			
F PJ 2551 00 03 <i>red</i>			
F PJ 2551 00 04 <i>blue</i>		F PL 8951 00 ..	8
F PJ 2551 00 05 <i>yellow</i>			

The technical data contained in the above table is approximate. FAMI SpA reserves the right to make any modifications it sees fit to improve the performance and appearance of products. The manufacturer is not liable for any printing errors.

TROUGHS WITH 2/ 4 COMPARTMENTS

The smaller containers can be divided using polypropylene troughs with 2 or 4 compartments. The troughs can also be used separately to store and separate small objects

trough art.	trough dimensions (mm)	for containers art.	number of compartments
F PP 0551 00 01 <i>grey</i>	150/ 120x90x35h	F PM 1751 00 ..	2
F PP 1051 00 01 <i>grey</i>	150/ 120x90x35h	F PM 1751 00 ..	4
F PP 1551 00 01 <i>grey</i>	205/ 160x125x60h	F PM 2551 00 ..	2
F PP 2051 00 01 <i>grey</i>	205/ 160x125x60h	F PM 2551 00 ..	4

The technical data contained in the above table is approximate. FAMI SpA reserves the right to make any modifications it sees fit to improve the performance and appearance of products. The manufacturer is not liable for any printing errors.

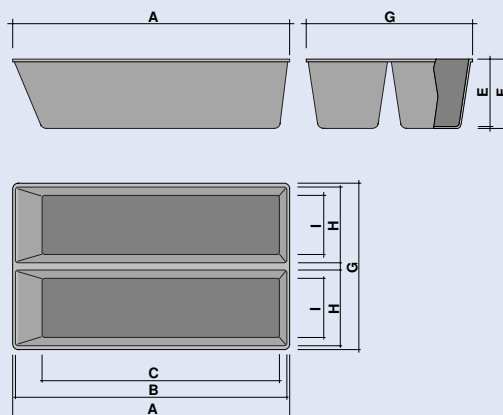
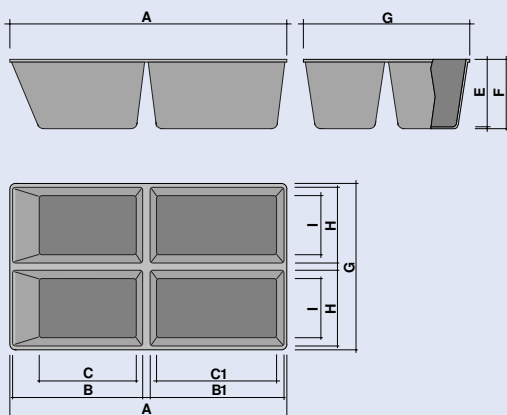
01 grey



PP



the stacking containers marked with this symbol can be used to store foodstuffs



container art.	A	B	B1	C	C1	E	F	G	H	I
F PP 0551 00 01	148	140	–	115	–	32	33	87	40	30
F PP 1051 00 01	148	66	66	44	58	32	33	87	37	30
F PP 1551 00 01	201	190	–	155	–	57	58	125	55	40
F PP 2051 00 01	201	93	93	56	76	57	58	125	57	40

The technical data contained in the above table is approximate. FAMI SpA reserves the right to make any modifications it sees fit to improve the performance and appearance of products. The manufacturer is not liable for any printing errors.

ACCESSORIES FOR STORAGE CONTAINERS

FRONT TO BACK METAL DIVIDER

The container can be sub-divided using metal front to back dividers to fit into the existing slots of the container whilst some ranges allow sub-division with metal front to back dividers through guide rails.

99 hot galvanized



metal front to back divider complete with pair of support	for containers art.
FND 0211 01 99 galvanized	F PL8151 00 ..
FND 0231 01 99 galvanized	F PL8951 00 ..

supplementary front to back divider art.	for containers art.
FND 0211 00 99 galvanized	F PL8151 00 ..
FND 0231 00 99 galvanized	F PL8951 00 ..

front to back divider art.	for containers art.
FND 0110 00 99 galvanized	F PM 3351 00 ..
FND 0140 00 99 galvanized	F PM 4151 00 ..
FND 0150 00 99 galvanized	F PL4951 00 ..
FND 0160 00 99 galvanized	F PM 5751 00 ..
FND 0180 00 99 galvanized	F PM 6551 00 ..
FND 0170 00 99 galvanized	F PM 7351 00 ..



pair of sub-dividers and front to back divider assembly for series Zeus containers

ACCESSORIES FOR STORAGE CONTAINERS

FRONT TO BACK PLASTIC DIVIDER

As well as the front to back metal dividers, front to back plastic dividers are also available. Equally easy to fit, into the slots in the containers

front to back plastic divider art.	for containers art.
F PZ 1071 00 07 <i>black</i>	F PM 3351 00 ..
F PZ 1571 00 07 <i>black</i>	F PM 4151 00 ..
F PZ 2071 00 07 <i>black</i>	F PL 4951 00 ..
F PZ 2571 00 07 <i>black</i>	F PM 6551 00 ..
F PZ 3071 00 07 <i>black</i>	F PM 7351 00 ..

07 black



Art. F PZ 1071 00 07



Art. F PZ 2071 00 07



Art. F PZ 1571 00 07



Art. F PZ 2571 00 07



Art. F PZ 3071 00 07



the stacking containers marked with this symbol can be used to store foodstuffs

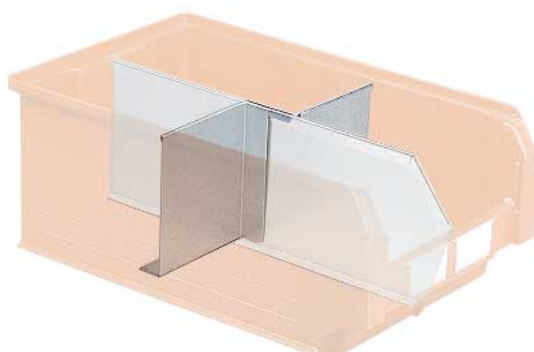


SUB-DIVIDERS

A pair of galvanized sheet metal sub-dividers may be fitted perpendicularly to the front to back metal divider in order to divide the container into four or more compartments.

sub-divider art.	for containers art.
F ND 1110 00 99 <i>galvanized</i>	F PM 6551 00 ..

99 hot galvanized

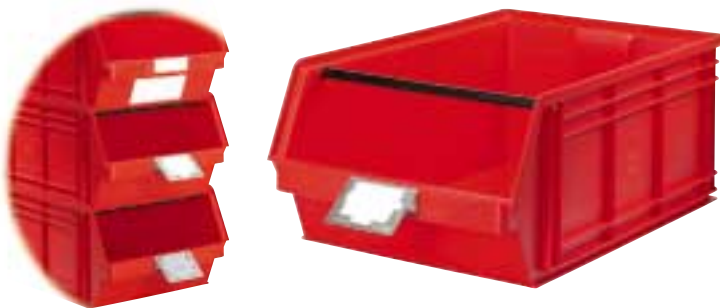


ACCESSORIES FOR STORAGE CONTAINERS

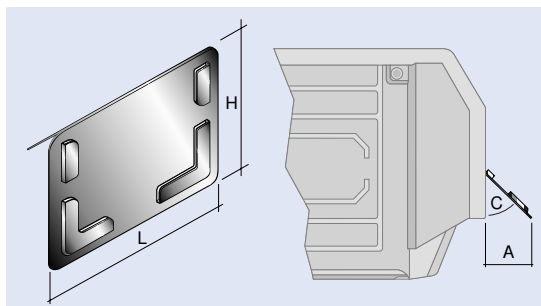
INCLINED LABEL HOLDER

This type of label holder makes it easier to read the labels applied to containers located in the lower parts of shelving units, trolleys and cabinets. It can be fitted and removed with the greatest of ease.

99 hot galvanized



inclined label holder art.	for containers art.
FND 2110 00 99 <i>galvanized</i>	F PM 3351 00 ..
	F PM 4151 00 ..
	F PM 4251 00 ..
	F PM 6551 00 ..
	F PM 6651 00 ..
	F PM 7351 00 ..
FND 2130 00 99 <i>galvanized</i>	F PL 8151 00 ..
	F PL 8951 00 ..



inclined label holder art.	L (mm)	H (mm)	A (mm)	C (grade)
FND 2110 00 99 <i>galvanized</i>	100	67	40* 50**	45°
FND 2130 00 99 <i>galvanized</i>	128	90	65	45°

* ZEUS - ** COMPAT

The technical data contained in the above table is approximate. FAMI SpA reserves the right to make any modifications it sees fit to improve the performance and appearance of products. The manufacturer is not liable for any printing errors.

ACCESSORIES FOR STORAGE CONTAINERS

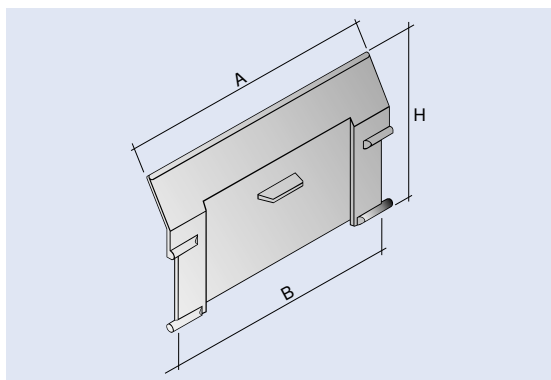
DUST COVER

Made from transparent polystyrene, the dust cover allows the product to be identified while protecting it from dust. It can be opened with a zip on the front of the container and, when closed, it increases the load capacity of the container itself.

96 transparent



dust cover art.	for containers art.
F PZ 5668 00 96	F PM 3351 00 ..
F PZ 5368 00 96	F PM 4151 00 .. F PM 4251 00 ..
F PZ 6568 00 96	F PM 6551 00 .. F PM 6651 00 ..
F PZ 6268 00 96	F PM 7351 00 .. F PM 7451 00 ..



dust cover art.	A (mm)	B (mm)	H (mm)
F PZ 5668 00 96	157	169	63
F PZ 5368 00 96	153	166	93
F PZ 6568 00 96	250	264	93
F PZ 6268 00 96	250	262	135

The technical data contained in the above table is approximate. FAMI SpA reserves the right to make any modifications it sees fit to improve the performance and appearance of products. The manufacturer is not liable for any printing errors.



ACCESSORIES FOR STORAGE CONTAINERS

LABELS

Proportional to the size of the containers to which they are applied.



label art.	for stacking and storage containers art.	dim. of single label (mm)	number of labels per sheet
F PL 9020 00 00	F PL 0951 00 ..	49x11	80
F PL 9040 00 00	F PM 1751 00 ..	75x20	36
F PL 9100 00 00	F PM 2551 00 ..	104x33	16
F PL 9060 00 00	F PM 3351 00 .. F PL 4951 00 .. F PM 5751 00 ..	77x31	18
F PL 9080 00 00	F PM 4151 00 .. F PM 4251 00 .. F PM 6551 00 .. F PM 6651 00 .. F PM 7351 00 .. F PM 7451 00 ..	77x42	12
F PL 9120 00 00	F PL 8151 00 .. F PL 8951 00 ..	127x39	10
F PL 9160 00 00	F PL 8151 00 .. F PL 8951 00 .. F PJ 6551 00 .. F PJ 7351 00 .. F PJ 8951 00 ..	189x85	3
F PL 9140 00 00	F PJ 5751 00 ..	189x82	3

The technical data contained in the above table is approximate. FAMI SpA reserves the right to make any modifications it sees fit to improve the performance and appearance of products. The manufacturer is not liable for any printing errors.

NOTES

ACCESSORIES FOR STORAGE CONTAINERS

PERSONALISED LOGOS

The polypropylene stacking and storage containers can be personalised with the customer brand name or logo either by burning it in or raising it directly in the mould.

These personalised stacking and storage containers, as well as advertising the name of the company, are less likely to be stolen. Progressive numbering can also be burned on to help classify the contents.



raised logo



burnt in logo

NOTES _____

