

# **ROLLING GARDEN WORK SEAT OWNER'S MANUAL**



## **WARNING:**

**Read carefully and understand all INSTRUCTIONS before operating. Failure to follow the safety rules and other basic safety precautions may result in serious personal injury.**

**Item # 41725**

Thank you very much for choosing a NORTHERN TOOL + EQUIPMENT CO., INC. Product! For future reference, please complete the owner's record below:

Model: \_\_\_\_\_ Purchase Date: \_\_\_\_\_

Save the receipt, warranty and these instructions. It is important that you read the entire manual to become familiar with this product before you begin using it.

This machine is designed for certain applications only. Northern Tool + Equipment cannot be responsible for issues arising from modification. We strongly recommend this machine not be modified and/or used for any application other than that for which it was designed. If you have any questions relative to a particular application, DO NOT use the machine until you have first contacted Northern Tool + Equipment to determine if it can or should be performed on the product.

For technical questions please call **1-800-222-5381**.

### **INTENDED USE**

The Rolling Garden Work Seat helps avoid back pain and injury by relieving the pressure caused by continuous stooping, kneeling and squatting. This garden work seat has an old-fashioned tractor seat that swivels in any direction and 10in. pneumatic tires that move over any surface. It comes with a storage area under the seat for your tools, gloves, etc. The seat adjusts up to 18in. off the ground and the heavy-duty, welded steel tube frame has a 300 lb. capacity. .

- Weight Capacity: 300 lbs
- 10in. Pneumatic tires
- The seat adjusts up to 18in. off the ground

### **TECHNICAL SPECIFICATIONS**

<b>Item</b>	<b>Description</b>
Capacity	300lbs.
Tool Tray Capacity	5 lbs.
Tires	10in. Pneumatic

### **GENERAL SAFETY RULES**



**WARNING: Read and understand all instructions.** Failure to follow all instructions listed below may result in serious injury.



**CAUTION: Do not allow persons to operate or assemble this Seat** until they have read this manual and have developed a thorough understanding of how it works.



**WARNING: The warnings, cautions, and instructions discussed in this owner's manual cannot cover all possible conditions or situations that could occur.** It must be understood by the operator that common sense and caution are factors, which cannot be built into this product, but must be supplied by the operator.

## SAVE THESE INSTRUCTIONS.

### WORK AREA

- Keep the work area clean, free of clutter and well lit. Cluttered and dark work areas can cause accidents.
- Keep children and bystanders away while operating the Seat. Distractions can cause you to lose control, so visitors should remain at a safe distance from the work area. The Seat is not a toy and should not be used as such by children.
- Be aware of all power lines, electrical circuits, water pipes and other mechanical hazards in your work area, particularly those hazards below the work surface hidden from the operator's view that may be unintentionally contacted and may cause personal harm or property damage.

### PERSONAL SAFETY

- Stay alert. Watch what you are doing and use common sense when using the Seat. Do not use the Seat while you are tired or under the influence of drugs, alcohol or medication. A moment of inattentiveness while operating the Seat may result in serious personal injury.
- Dress properly. Do not wear loose clothing, dangling objects, or jewelry. Keep your hair, clothing and gloves away from moving parts. Loose clothes, jewelry or long hair can be caught in moving parts.
- Use safety apparel and equipment. Use safety goggles or safety glasses with side shields which comply with current national standards, or when needed, a face shield. Use a dust mask in dusty work conditions. This applies to all persons in the work area. Also wear non-skid safety shoes, a hardhat and gloves. Use a dust collection system and hearing protection when appropriate.

### USE AND CARE

- Do not modify the Seat in any way. Unauthorized modification may impair the function and/or safety and could affect the life of the equipment. There are specific applications for which the Seat was designed.
- Always check for damaged or worn out parts before using the Seat. Broken parts will affect the Seat's operation. Replace or repair damaged or worn parts immediately.
- Do not exceed the load capacity of the Seat.
- Distribute the load evenly. Uneven loads may cause the Work Seat to tip, resulting in personal injury to the operator or others.
- Use the Seat on flat and level surfaces capable of supporting the maximum load capacity.
- Store the Seat in a secure place out of the reach of children when not in use. Make sure the Seat is in good working condition prior to storage and before each re-use.
- Never stand on Seat.



**WARNING:** Make sure the tires are inflated to 30 PSI, the pressure indicated on the tire sidewall. Do not over inflate: Use a hand pump only. A high-pressure air hose can easily overfill the tires resulting in an explosion and possible injury.

## MAINTENANCE

- **Maintain your Seat.** It is recommended that the general condition of the Seat be examined before it is used. Keep your Work Seat in good working order by adopting a program of conscientious repair and maintenance. If any abnormal vibrations or noise occurs, have the problem corrected before further use. Have all necessary repairs made by a qualified service professional.

## ASSEMBLY

**Step 1**



**Step 2**



**Step 3**



**Step 4**



**Step 5**



**Step 6**



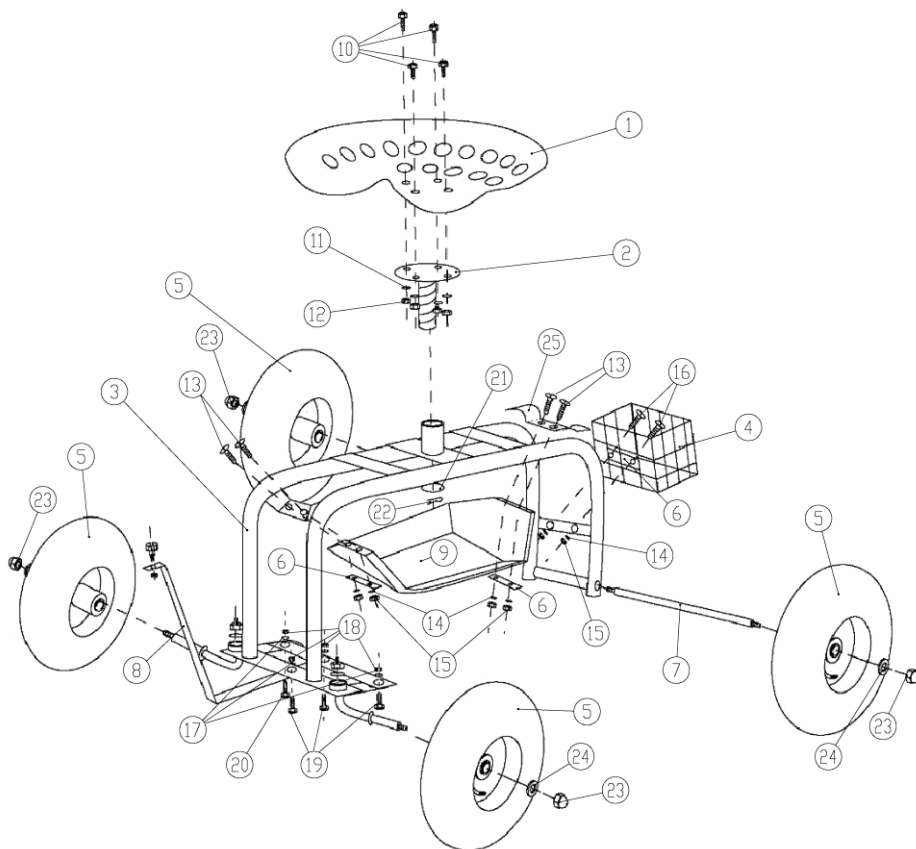
**Step7**



**Step8**



**DIAGRAM & PARTS LIST**



<b>Parts#</b>	<b>Description</b>	<b>Quantity</b>	<b>Parts#</b>	<b>Description</b>	<b>Quantity</b>
#01	Seat	1	#14	Flat Washer 8MM	6
#02	Elevating Bolts	1	#15	Lock Nut M8	6
#03	Main Frame	1	#16	Round Bolt M8x25	2
#04	Basket	1	#17	Flat Washer 8 MM	4
#05	3.50-4 Wheel	4	#18	Lock Nut M8	4
#06	Connecting Plate	3	#19	Hexagon Bolt M8x20	3
#07	Axle	1	#20	Hexagon Bolt M8x25	1
#08	Handle	1	#21	Flat Washer 20 MM	1
#09	Plastic Tray	1	#22	Cotter Pin	1
#10	Cross BoltM10x15	4	#23	Lock Nut M12	4
#11	Flat Washer 10	4	#24	Flat Washer 12 MM	4
#12	Lock Nut M10	4	#25	Connecting Plate Tool Box	1
#13	Round Bolt M8x15	4			

Distributed by  
Northern Tool + Equipment Co., Inc.  
Burnsville, Minnesota 55306-6936  
Made in China

For replacement parts and technical questions, please call **1-800-222-5381**.

**WARRANTY**

**One-Year Limited Warranty**