

DESCRIPTION

High efficacy low profile track fixture ideal for accent and display lighting applications. Featuring die cast construction with a simple low profile design. These lampholders are perfect for those applications where performance is required from a discreet source.

Catalog #		Type
Project		
Comments		Date
Prepared by		

SPECIFICATION FEATURES

Quick Lock Adapter

Attaches electrically and mechanically anywhere along the track. Includes discrete locking tab that locks the luminaire on the track and allows for easy removal and repositioning.

Driver Housing

Die-cast and extruded aluminum housing incorporates the lamp control circuit.

Heat Sink

Aluminum die-cast heat sink provides exceptional thermal management to yield 70% lumen maintenance after 50,000 hours of operation.

Luminaire Arm

Arm allows the lamp housing tilt to adjust +/- 90° horizontally. This enables the ballast housing to remain static on the track creating a clean look while providing full aiming capabilities.

LED Light Engine

Equipped with (9) 3-Watt white LEDs. Configurable optic allows for 3 optical distributions and can be changed in the field to adjust to the current lighting need. CRI of 85.

Compliance

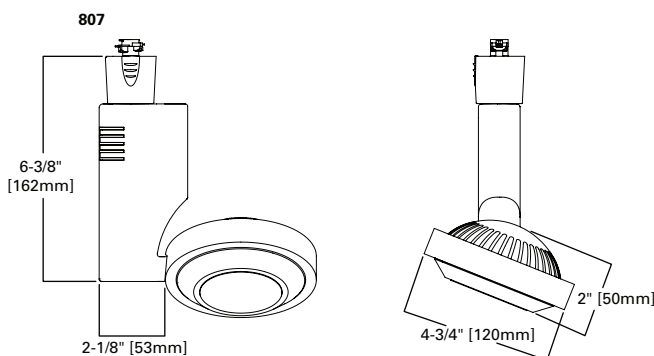
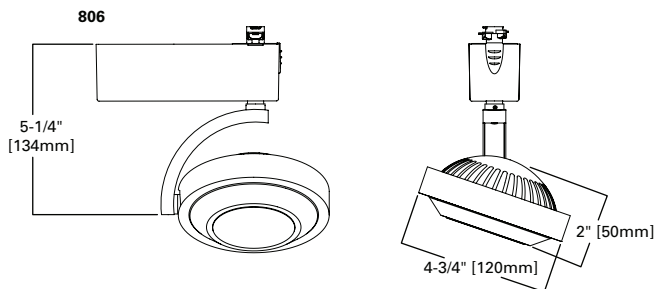
UL/cUL listed for use with Halo Power-Trac and Lazer Track. UL/cUL classified for Juno [See Footnote #1 in Ordering Information below], Lightolier [See Footnote #2 below], and Global [See Footnote #3 below] TEK/HTEK Track. DesignLights™ Consortium Qualified. Refer to www.designlights.org Qualified Products List for details.



L806



L807



**L806
L807
Halo LED**

18W



3000 K	CBCP
Spot 15°	11,057
Narrow Flood 22°	8990
Flood 37°	2480

ORDERING INFORMATION

SAMPLE NUMBER: L806SP830AH (Halo or Lazer Track connector, Spot Distribution, 3000 K, with Aluminum Haze Finish)

Track	LED	Beam	CRI	CCT	Finish	Voltage
L=Halo and Lazer Power-Trac	806=806	FL=Flood 37°	80=85	30=3000 K	AH=Aluminum Haze	277=277 VAC
LJ=Juno® Track ¹	807=807	NF=Narrow Flood 22°		40=4000 K	MB=Black	(Only with HTEK)
LL=Lightolier® Track ²		SP=Spot 15°			P=White	[Blank]=120V
L2G=Global® TEK or HTEK ³						

NOTES: 1. Juno® T single circuit and 2-circuit track contact. Juno® is a registered trademark of Juno® Lighting. 2. Lightolier® Lyfespan 6000 single circuit and 2 circuit track contact. Lightolier® is a registered trademark of Philips Lighting. 3. Global® is a registered trademark of Nordic Aluminum.

DesignLights™ Consortium Qualified. Refer to www.designlights.org Qualified Products List under Family Models for details.

**Lighting Data
3000 K Spot**

Lumens:	1253
Lumens per watt:	70.8
Watts at 120VAC	17.71

Energy Data:

Input Power:	17.71W
Power Factor:	>.9
Input Current:	.149 Amps

PHOTOMETRICS

Color Temp = 3000K
4000K Multiplier = 1.25

	0 deg Aiming Angle Horizontal Footcandles				30 deg Aiming Angle Horizontal Footcandles					30 deg Aiming Angle Vertical Footcandles on Wall					60 deg Aiming Angle Vertical Footcandles on Wall				
	D	FC	L	W	D	FC	L	W	CB	D	FC	L	W	CB	D	FC	L	W	CB
Wide Spot: 15°	5	442	1.4	1.4	5	287	1.7	1.5	2.9	3	180	2.6	1.5	5.2	3	798	1	0.9	1.7
CBCP: 11057	7.5	197	2	2	7.5	128	2.6	2.3	4.3	4	101	3.4	1.9	6.9	4	449	1.4	1.2	2.3
Lumens: 1253	10	111	2.7	2.7	10	72	3.5	3.1	5.8	5	65	4.3	2.4	8.7	5	287	1.7	1.5	2.9
LpW: 70.8	12.5	71	3.4	3.4	12.5	46	4.3	3.8	7.2	6	45	5.1	2.9	10.4	6	199	2.1	1.8	3.5
	15	49	4.1	4.1	15	32	5.2	4.6	8.7										

	0 deg Aiming Angle Horizontal Footcandles				30 deg Aiming Angle Horizontal Footcandles					30 deg Aiming Angle Vertical Footcandles on Wall					60 deg Aiming Angle Vertical Footcandles on Wall				
	D	FC	L	W	D	FC	L	W	CB	D	FC	L	W	CB	D	FC	L	W	CB
Narrow Flood: 22°	5	360	1.7	1.7	5	234	2.2	1.9	2.9	3	158	2.9	1.7	5.2	3	649	1.3	1.1	1.7
CBCP: 8990	7.5	160	2.5	2.5	7.5	104	3.3	2.8	4.3	4	89	3.9	2.3	6.9	4	365	1.7	1.5	2.3
Lumens: 1289	10	90	3.3	3.3	10	58	4.3	3.8	5.8	5	57	4.9	2.9	8.7	5	234	2.2	1.9	2.9
LpW: 72.4	12.5	58	4.2	4.2	12.5	37	5.4	4.7	7.2	6	40	5.8	3.5	10.4	6	162	2.6	2.3	3.5
	15	40	5	5	15	26	6.5	5.7	8.7										

	0 deg Aiming Angle Horizontal Footcandles				30 deg Aiming Angle Horizontal Footcandles					30 deg Aiming Angle Vertical Footcandles on Wall					60 deg Aiming Angle Vertical Footcandles on Wall				
	D	FC	L	W	D	FC	L	W	CB	D	FC	L	W	CB	D	FC	L	W	CB
Flood: 37°	5	99	3.2	3.2	5	72	3.6	3.4	2.9	3	67	3.2	2.7	5.2	3	201	2.2	2.1	1.7
CBCP: 2480	7.5	44	4.8	4.8	7.5	32	5.5	5.2	4.3	4	38	4.3	3.6	6.9	4	113	2.9	2.8	2.3
Lumens: 1228	10	25	6.4	6.4	10	18	7.3	6.9	5.8	5	24	5.4	4.5	8.7	5	72	3.6	3.4	2.9
LpW: 69	12.5	16	8	8	12.5	12	9.1	8.6	7.2	6	17	6.5	5.4	10.4	6	50	4.4	4.1	3.5
	15	11	9.6	9.6	15	8	10.9	10.3	8.7										

Notes and Definitions:

- Beam spread is to 50% center beam candlepower (CBCP.)
- D=Distance in feet to floor or wall.
- FC=Footcandles on floor or wall at center beam aiming location.
- L=Effective Visual Beam length in feet (50% of maximum footcandle level.)
- W=Effective Visual Beam width in feet (50% of maximum footcandle level.)
- CB=Distance in feet across or down to center beam location.

