

V39, K8.0

Extended Coverage/Light Hazard (ECLH)
Adjustable Concealed Pendant

V3904 QUICK RESPONSE

The Model V39 ECLH concealed sprinkler is designed with a K8.0 orifice size to provide added coverage at normal light hazard operating pressures. The design incorporates state-of-the-art, heat responsive, frangible glass bulb design for prompt, precise operation.

The die cast frame is more streamlined and attractive than traditional sand cast frames. This sprinkler is available in various temperature ratings (see chart on page 2) and finishes to meet many design requirements.

The V39 sprinkler comes standard with the aesthetically pleasing dome cover plate, which is available in various finishes to meet many design requirements.



SEE VICTAULIC PUBLICATION 10.01 FOR DETAILS



ADJUSTABLE CONCEALED PENDENT WITH DOME COVER PLATE (V3904)

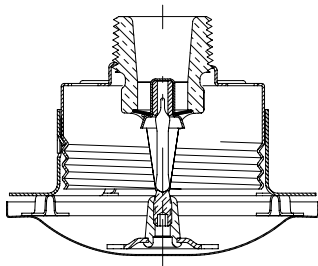
SPRINKLER OPERATION:

The operating mechanism is a frangible glass bulb which contains a heat responsive liquid. During a fire, the ambient temperature rises causing the liquid in the bulb to expand. When the ambient temperature reaches the rated temperature of the sprinkler, the bulb shatters. As a result, the waterway is cleared of all sealing parts and water is discharged towards the deflector. The deflector is designed to distribute the water in a pattern that is most effective in controlling the fire.

COVERAGE:

Extended spray coverage is up to 400 square feet/37.2 sq. m per NFPA 13.

TECHNICAL SPECIFICATIONS:



Exaggerated for Clarity

Models: V3904

Style: ECLH – Adjustable Concealed Pendant

Nominal Orifice Size: 17/32" /14 mm

K-Factor: 8.0 Imp. (11,5 S.I.^)

Nominal Thread Size: 3/4" NPT/20mm

Max. Working Pressure: 175 psi/1200 kPa

Factory Leak Test:

100% @ 500 psi/3450 kPa

Min. Operating Pressure: 7 psi/48 kPa

Temperature Rating: See chart on page 2

Material Specifications

Pendent Deflector: Bronze per UNS C22000

Bulb: Glass with glycerin solution.

Bulb Nominal Diameter:

- Quick Response: 3.0mm

Load Screw: Brass per UNS C36000

Pip Cap: Copper

Spring: Beryllium nickel

Seal: Teflon* tape

Frame: Die cast brass 65-30

Bulb Seat: Brass

Accessories

Installation Wrench:

- V39 Recessed Wrench

Sprinkler Finishes:

- Chrome Plated
- Brass Plated
- White painted
- Flat Black†
- Custom Painted†

^ For K-Factor when pressure is measured in Bar, multiply S.I. units by 10.0.

* Teflon is a registered trademark of Dupont Co.

† These finishes require longer lead times.

Contact Victaulic for details.

JOB/OWNER

System No. _____

Location _____

CONTRACTOR

Submitted By _____

Date _____

ENGINEER

Spec Sect _____ Para _____

Approved _____

Date _____

www.victaulic.com

VICTAULIC IS A REGISTERED TRADEMARK OF VICTAULIC COMPANY. © 2012 VICTAULIC COMPANY. ALL RIGHTS RESERVED.

REV_D



40.71_1

V39, K8.0

Extended Coverage/Light Hazard (ECLH)
Adjustable Concealed Pendent

V3904 QUICK RESPONSE

APPROVALS/LISTINGS

Model	Orifice Size	Nominal K-Factor	Response	Deflector Type	Approved Temperature Ratings‡		
					Room Size - Feet/meters		
	Inches mm	Imperial S.I.^	Standard or Quick		16 x 16 4.9 x 4.9	18 x 18 5.5 x 5.5	20 x 20 6.1 x 6.1
V3904	1 7/32 14	8.0 11.5	Quick	Concealed Pendent	1, 2 - A	1, 2 - A	1, 2 - B

‡ Listings and approval as of printing. Not all temperature rating combinations are Listed. Check Victaulic for specific combinations.

^ For K-Factor when pressure is measured in Bar, multiply S.I. units by 10.0

APPROVED TEMPERATURE RATINGS

Approval	Temperature Rating
1 – UL	A – 135°F/ 155°F/ 175°F/ 200°F/ 57°C/ 68°C/ 79°C/ 93°C
2 – cUL	B – 135°F/ 57°C

V39, K8.0

Extended Coverage/Light Hazard (ECLH)
Adjustable Concealed Pendent

V3904 QUICK RESPONSE

RATINGS

All glass bulbs are rated for temperatures from -67°F/-55°C to those shown in table below.

Sprinkler Temperature Classification	Victaulic Part Identification	SPRINKLER - V3904			COVER	
		Temperature – °F/°C		Glass Bulb Color	Cover Temperature – °F/°C	
		Nominal Temperature Rating	Maximum Ambient Temperature Allowed		Nominal Temperature Rating	Maximum Ambient Temperature Allowed
Ordinary	A	135 57	100 38	Orange	135 57	100 38
Ordinary	C	155 68	100 38	Red	135 57	100 38
Intermediate	E	175 79	150 65	Yellow	165 74	150 65
Intermediate	F	200 93	150 65	Green	165 74	150 65

ORDERING INFORMATION

Please specify the following when ordering:





Sprinkler Model Number	
Style	
Temperature Rating	
K-Factor	
Thread Size	
Quantity	
Sprinkler Finish	
Wrench Model Number	

V39, K8.0

Extended Coverage/Light Hazard (ECLH)
Adjustable Concealed Pendent

V3904 QUICK RESPONSE



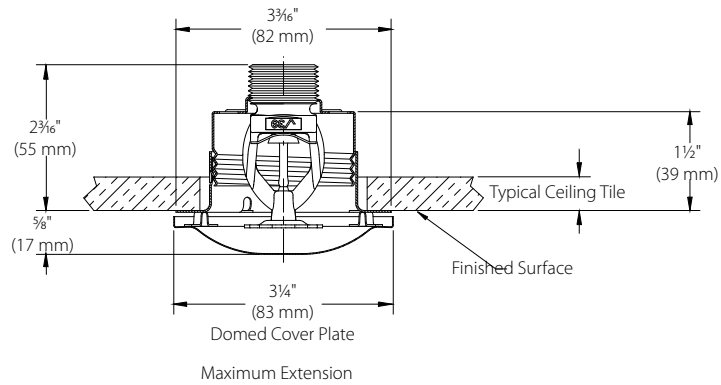
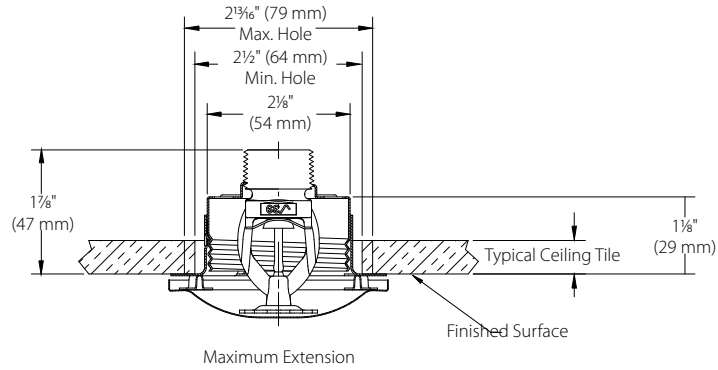
 WARNING	
  	<ul style="list-style-type: none"> • Always read and understand installation, care, and maintenance instructions, supplied with each box of sprinklers, before proceeding with installation of any sprinklers. • Always wear safety glasses and foot protection. • Depressurize and drain the piping system before attempting to install, remove, or adjust any Victaulic piping products. • Installation rules, especially those governing obstruction, must be strictly followed. • Painting, plating, or any re-coating of sprinklers (other than that supplied by Victaulic) is not allowed. <p>Failure to follow these instructions could result in serious personal injury and/or property damage.</p> <p>The owner is responsible for maintaining the fire protection system and devices in proper operating condition. For minimum maintenance and inspection requirements, refer to the current National Fire Protection Association pamphlet that describes care and maintenance of sprinkler systems. In addition, the authority having jurisdiction may have additional maintenance, testing, and inspection requirements that must be followed.</p> <p>If you need additional copies of this publication, or if you have any questions about the safe installation of this product, contact Victaulic World Headquarters: P.O. Box 31, Easton, Pennsylvania 18044-0031 USA, Telephone: 001-610-559-3300.</p>

V39, K8.0

Extended Coverage/Light Hazard (ECLH)
Adjustable Concealed Pendent

V3904 QUICK RESPONSE

DIMENSIONS



ROOM SIZE

Installed Under Smooth Flat Horizontal Ceilings up to 2/12 (9.5°) Pitch

SPRINKLER PERFORMANCE FLOW (MINIMUM)	
V3904	
Room Size	Flow Rate GPML/LPM
Ft. x Ft. m x m	UL
16 X 16 4.9 X 4.9	26 98
18 X 18 5.5 X 5.5	32 121
20 X 20 6.1 X 6.1	40 150

Minimum sprinkler spacing 8/2.4 m).

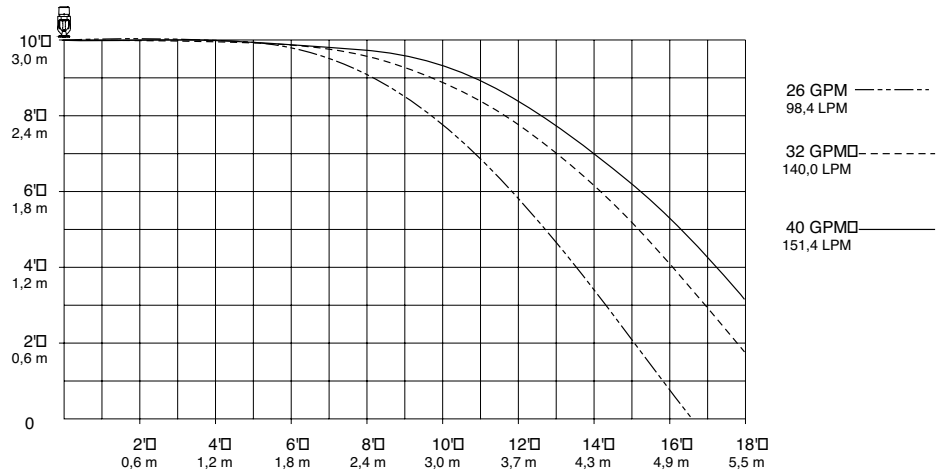
V39, K8.0

Extended Coverage/Light Hazard (ECLH)
Adjustable Concealed Pendent

V3904 QUICK RESPONSE

DISTRIBUTION PATTERNS

Models V3904 K8.0 ECLH CONCEALED PENDENT DISTRIBUTION PATTERNS – TRAJECTORY



NOTES:

- 1 Data shown is approximate and can vary due to differences in installation.
- 2 These graphs illustrate approximate trajectories, floor-wetting, and wall-wetting patterns for these specific Victaulic FireLock automatic sprinklers. They are provided as information for guidance in avoiding obstructions to sprinklers and should not be used as minimum sprinkler spacing rules for installation. Refer to the appropriate NFPA National Fire Code or the authority having jurisdiction for specific information regarding obstructions, spacing limitations and area of coverage requirements. Failure to follow these guidelines could adversely affect the performance of the sprinkler and will void all Listings, Approvals and Warranties.
- 3 All patterns are symmetrical to the centerline of the waterway.

WARRANTY

Refer to the Warranty section of the current Price List or contact Victaulic for details.

For complete contact information, visit www.victaulic.com

40.71 3179 REV D UPDATED 07/2012

VICTAULIC IS A REGISTERED TRADEMARK OF VICTAULIC COMPANY. © 2012 VICTAULIC COMPANY. ALL RIGHTS RESERVED.

