



Congratulations on the purchase of your new Arachnid Free Standing Game. Our products are designed and manufactured to give you years of game playing enjoyment.

KEEP BOX AND PACKING MATERIAL UNTIL TABLE HAS BEEN COMPLETELY ASSEMBLED.

ALL DAMAGE MUST BE REPORTED TO DMI WITHIN TEN DAYS OF RECEIPT.

If you have any problems with your new product,

PLEASE DO NOT RETURN IT TO THE STORE.

Please contact us:

1.800.399.4402

FAX: 215.283.9573

Please have your model number when inquiring about parts.

Or write to:

DMI Sports

Customer Service

375 Commerce Drive

Fort Washington PA, 19034

Please visit our web site at:

www.dmisports.com

When contacting DMI Sports, please provide your model number and item number (if applicable) if requesting a replacement part. Item numbers can be found inside this owners manual.

Your Model Number **E340FS-MH**

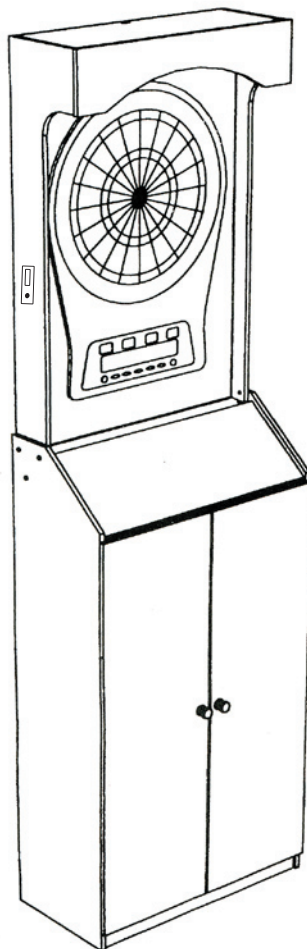
Your model number is also located on the original carton. These instructions are also available online at: www.dmisports.com.

IMPORTANT!

Please Keep Your Instructions! (You will need your Model number should you need to contact us.) Before attempting assembly, please read through this instruction book to familiarize yourself with all the parts and assembly steps. We recommend that two adults assemble this free standing game. Please refer to the Parts Identifier on the following page and be sure that all parts have been included. Although extremely rare, occasionally a part may be missing. If you are missing a part, or if you have any questions, please call our customer service department at 1.800.399.4402 Mon-Fri between the hours of 9:00am and 5:00pm E.S.T; or you can reach us at: www.dmisports.com.

Do not return the game to the store. Please contact us first at: 1.800.399.4402 or on our website at: www.dmisports.com.

TWO ADULTS ARE REQUIRED TO ASSEMBLE THIS FREE STANDING GAME






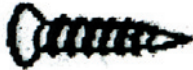
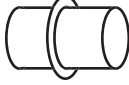
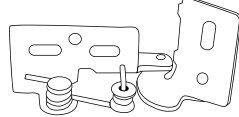

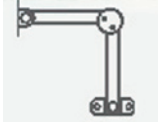








TOOLS REQUIRED FOR ASSEMBLY:

- Phillips Head Screw driver- Not Included

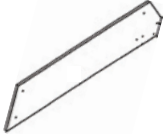
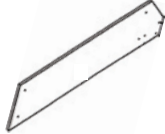



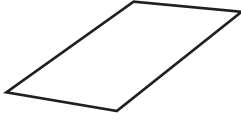


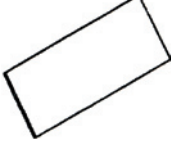

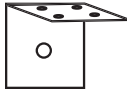
PARTS IDENTIFIER

HARDWARE PARTS

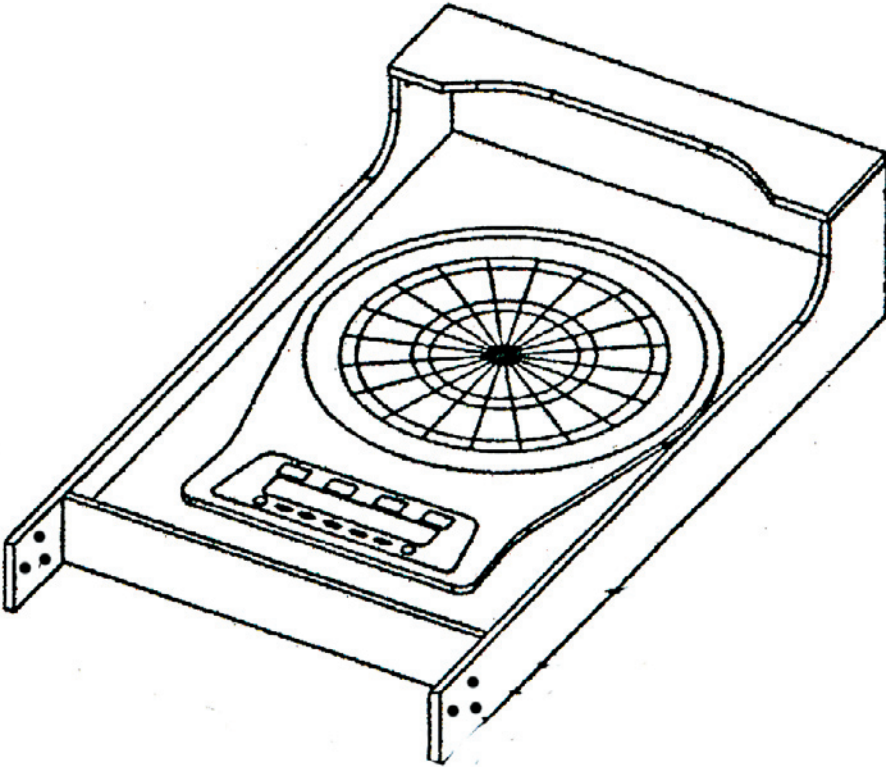
H1	Qty. 12	H2	Qty. 16	H3	Qty. 16	H4	Qty. 4
 Hinge Screw RPE340FS-HKIT		 M6x25 Bolt RPE340FS-HKIT		 Cam RPE340FS-HKIT		 Dowel Pin RPE340FS-HKIT	
H5	Qty. 1	H6	Qty. 22	H7	Qty. 2	H8	Qty. 4
 4x30 Flat Screw RPE340FS-HKIT		 3 x 12mm Screw RPE340FS-HKIT		 Steel Pin RPE340FS-HKIT		 Door Hinge RPE340FS-HKIT	
H9	Qty. 6	H10	Qty. 1	H11	Qty. 1	H12	Qty. 2
 Machine Screw RPE340FS-HKIT		 Middle Door Stay RPE340FS-HKIT		 Plastic Molly Bolt RPE340FS-HKIT		 Knob RPE340FS-HKIT	
H13	Qty. 2	H14	Qty. 12	H15	Qty. 1	H16	Qty. 4
 Knob Bolt RPE340FS-HKIT		 3.5x12mm Round Screw RPE340FS-HKIT		 Bolt Washer RPE340FS-HKIT		 Adhesive Bumper RPE340FS-HKIT	

PARTS IDENTIFIER

ASSEMBLY PARTS

P1	Qty. 1	P2	Qty. 1	P3	Qty. 2	P4	Qty. 2	
 Left Side Panel RPE340FS-P1		 Right Side Panel RPE340FS-P2		 Connector Panel RPE340FS-P3		 Lower Section Shelf RPE340FS-P4		
P5	Qty. 1	P6	Qty. 1	P7	Qty. 1	P8	Qty.1	
 Base Cross Panel RPE340FS-P5		 Lower Back Cover RPE340FS-P6		 Left Door Panel RPE340FS-P7		 Right Door Panel RPE340FS-P8		
P9	Qty. 1	P10	Qty. 1	P11				Qty. 1
 Middle Door Panel RPE340FS-P9		 Upper Cabinet RPE340FS-P10		 Wall Bracket RPE340FS-P11				

ASSEMBLY



Complete View of Assembly

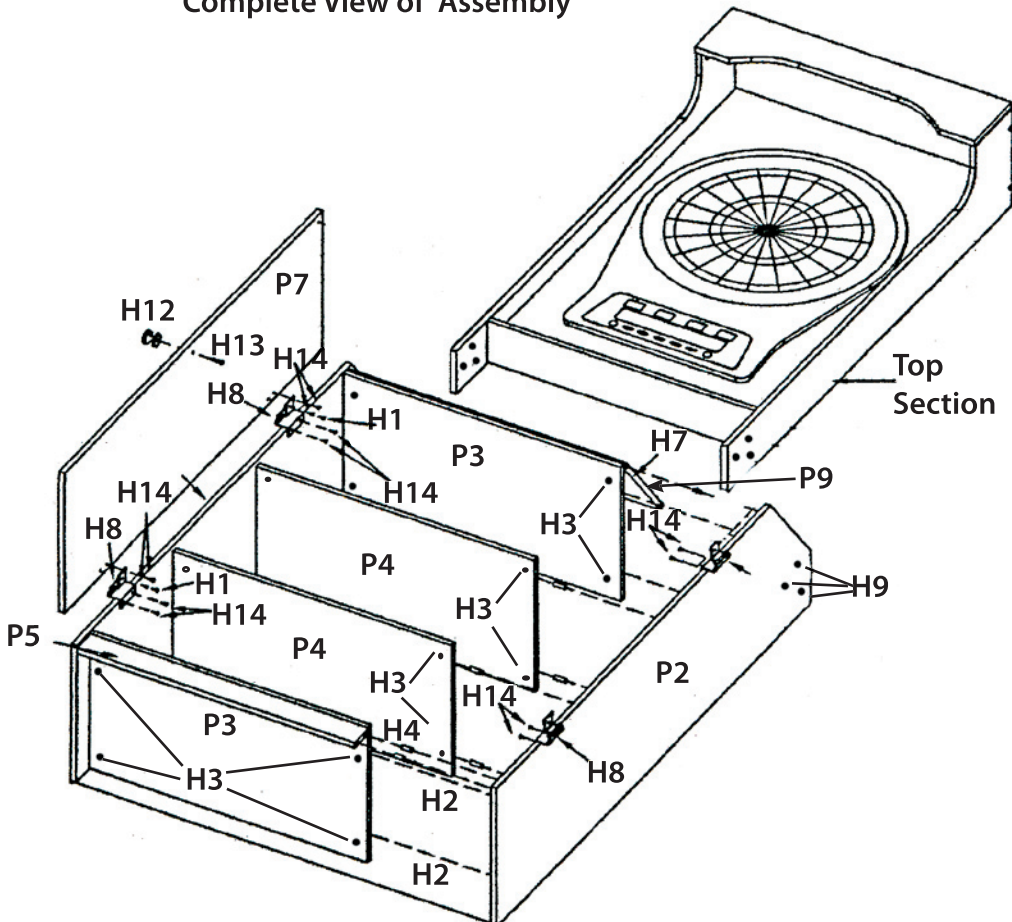


Figure 1

LOWER CABINET ASSEMBLY

Figure 1.

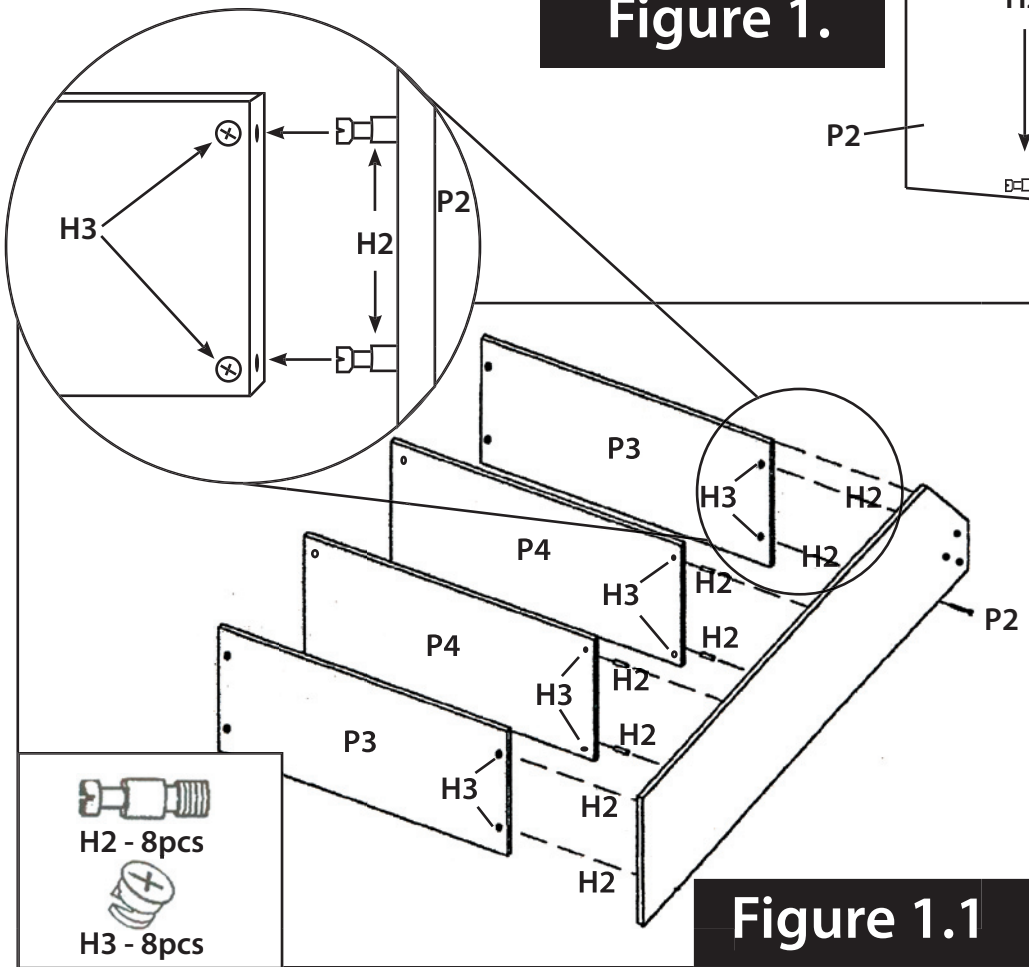


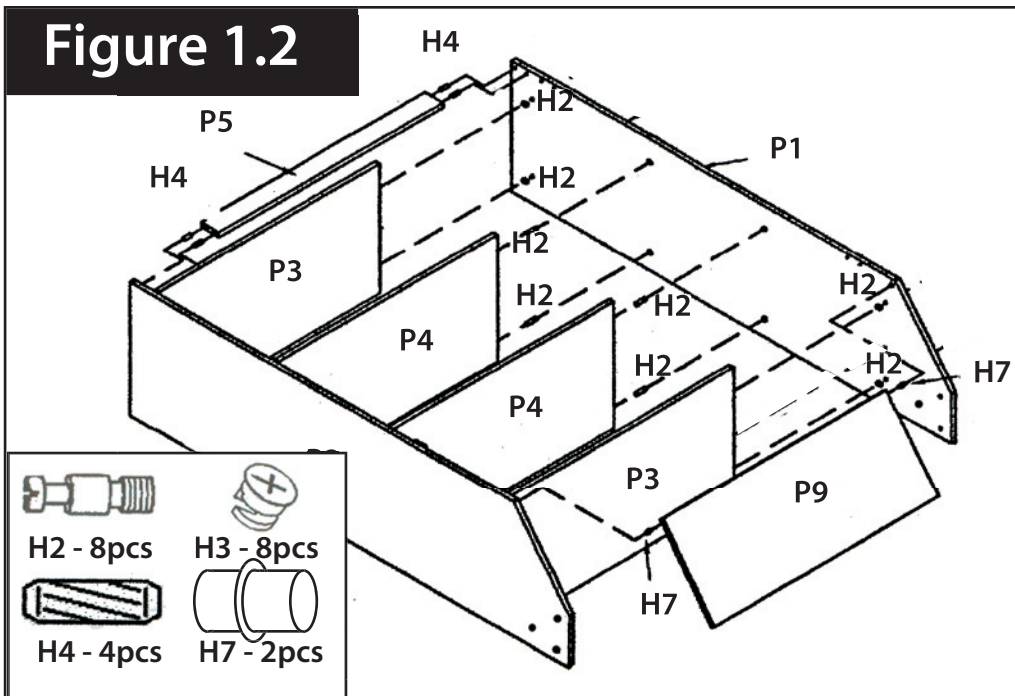
Figure 1.1

STEP 1.
Begin by screwing M6 Bolts (H2) into Side Panel (P2) as shown in Figure 1.

STEP 2.
Insert Cams (H3) into pre-drilled holes in Connector Panels (P3) and (P4). Attach P3 & P4 to P2. using Cams (H3) and M6 Bolt (H2) See Figure 1.1.

Note:
DO NOT fully tighten M6 Bolt (H2) until after you have completed Step 4 & 4A.

Figure 1.2



STEP 3.
Insert Wood Dowel Pins (H4) into P5. Attach P5 to P2.

STEP 4.
Attach Middle Door (P9) using Steel Pins (H7). (See Step 4A) Attach (P1) to partially assembled Lower Cabinet using M6 Bolt (H2) and Cams (H3) to secure to (P3) and (P4). Make sure Wood Dowels (H4) are inserted into slots on Side Panel (P1) before securing (P1) to assembly.

ASSEMBLY

STEP 4A.

Attach Middle Door (P9) to Lower Cabinet using Steel Pins (H7) (Shown in Figure 1.2B)

You may now tighten all M6 Bolts (H2).

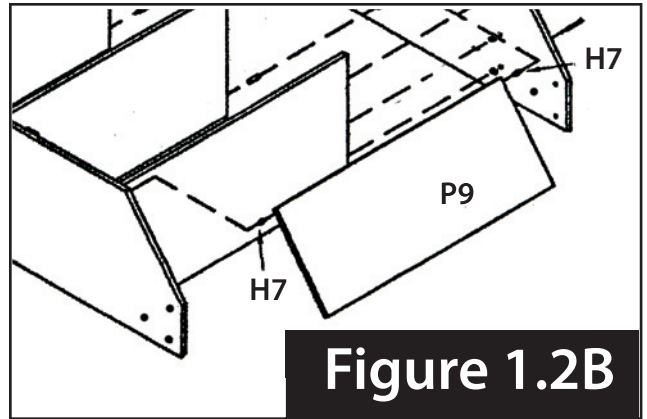


Figure 1.2B

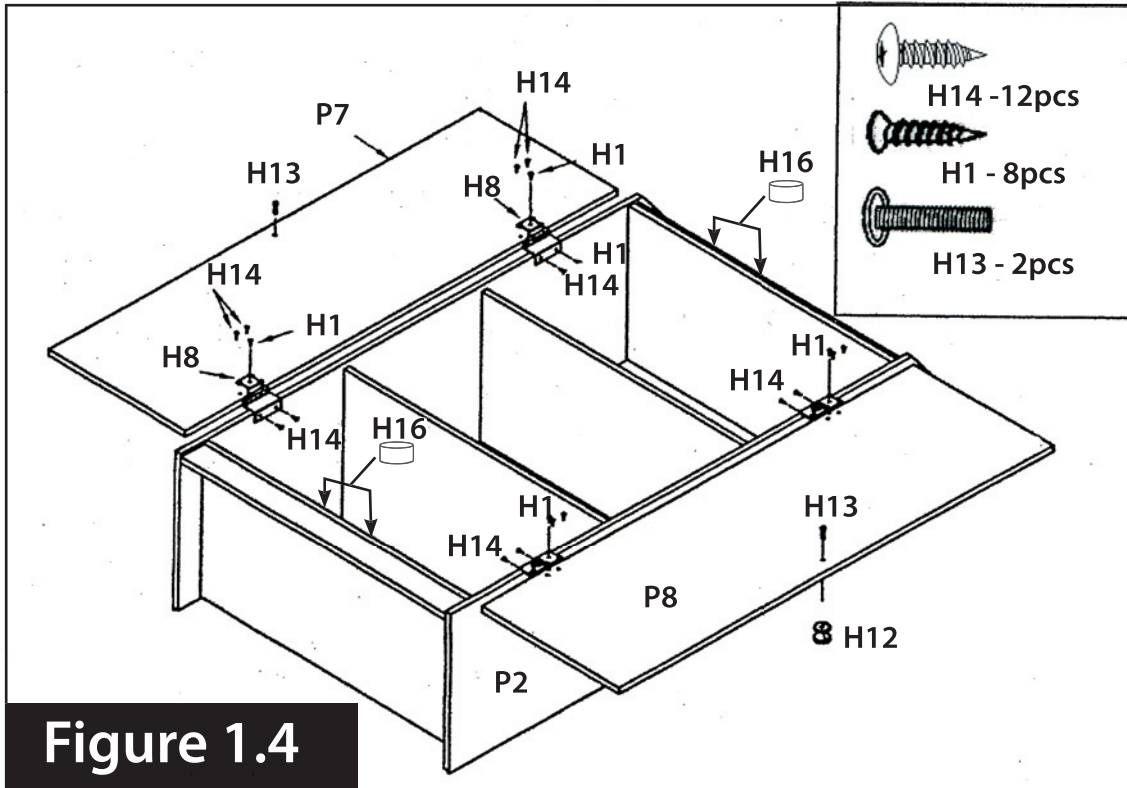


Figure 1.4

STEP 5.

Attach Door Hinges (H8) to Door (P7) and Side Panel (P1) as well as Door (P8) and Side Panel (P2) using Door Hinge Screws (H14) and (H1).

(A close-up of this step is offered in Figure 1.4A)

Attach Adhesive Bumper (H16) to top and bottom of the lower cabinet as specified in Figure. 1.4 Attach Knobs (H12) to the Door using Screw (H13) for each.

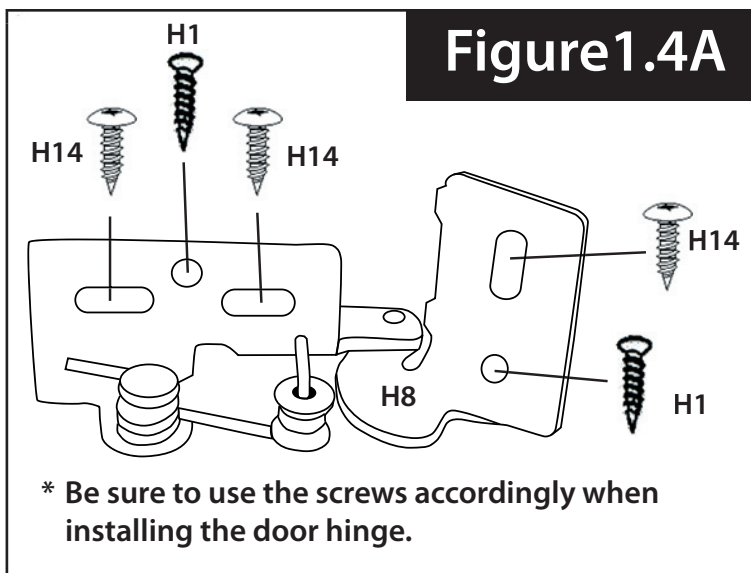
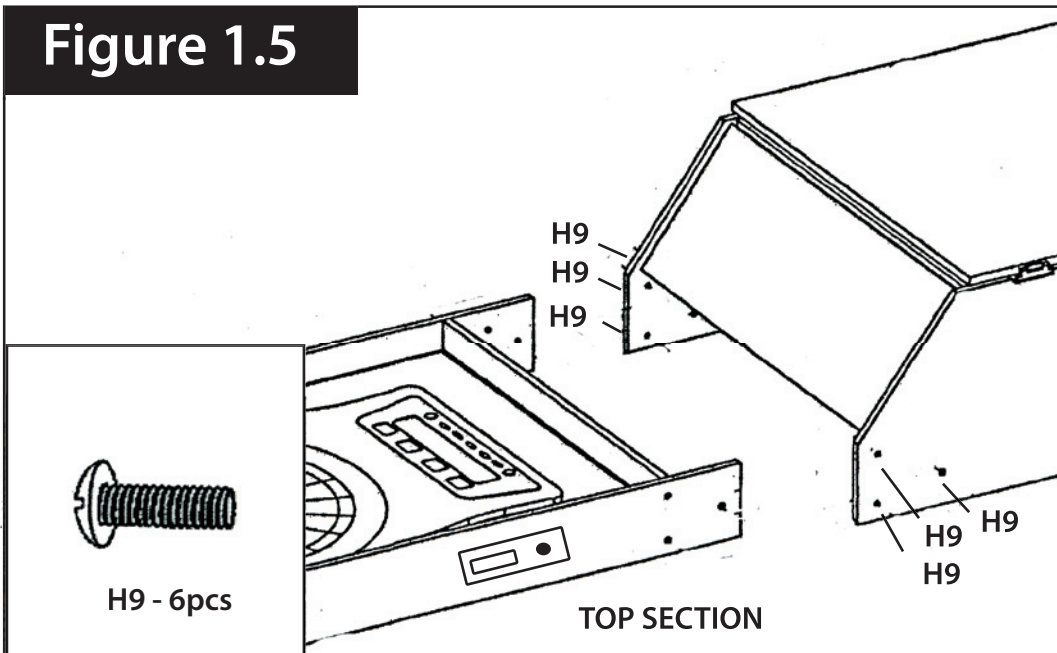


Figure 1.4A

Note.

Attach Left Door (P7) to Lower Cabinet using 3 Round Head Screws (H14) and 2 Flat Head Screws (H1) for each Hinge (H8).

Figure 1.5



STEP 7.

Attach Lower Cabinet to Upper Cabinet using Machine Screws (H9). See Figure 1.5

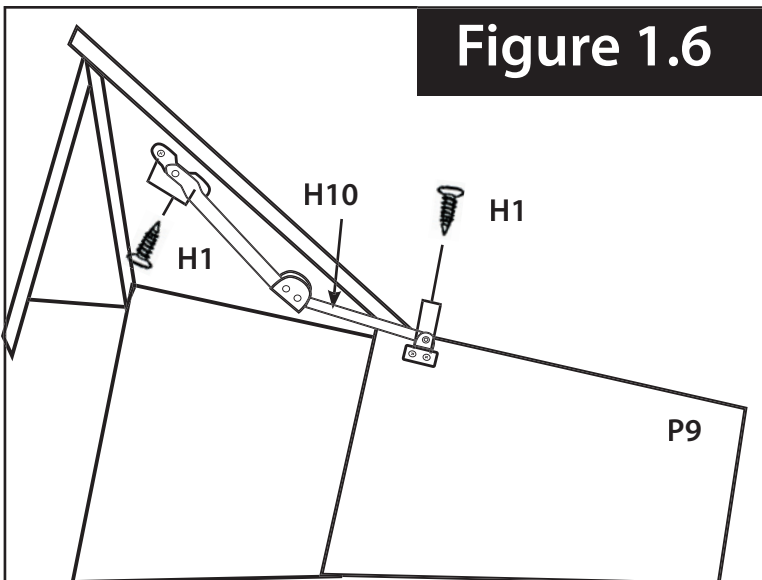
STEP 8.

Plug the adapter into the switch panel on the left hand side of the upper cabinet to power dartboard. This dartboard may also be powered with 4 (AA) batteries.

STEP 9.

With at least two (2) adults, stand the assembled cabinet up. Attach Lower back panel (P6) to the back of assembled cabinet using Flat Head Screws (H6). See Figure 1.7. Free Standing dart game should be carefully lifted and placed in its final location by two adults for safety. (Lift from bottom and top simultaneously.)

Figure 1.6



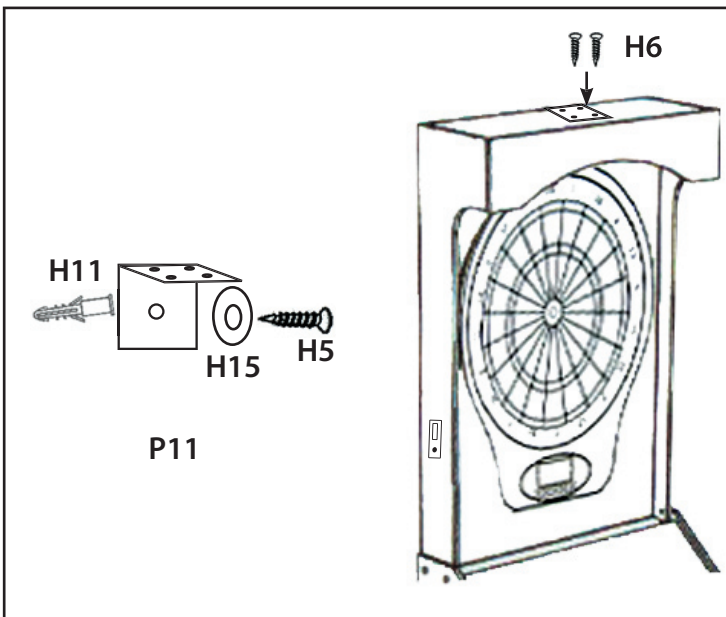
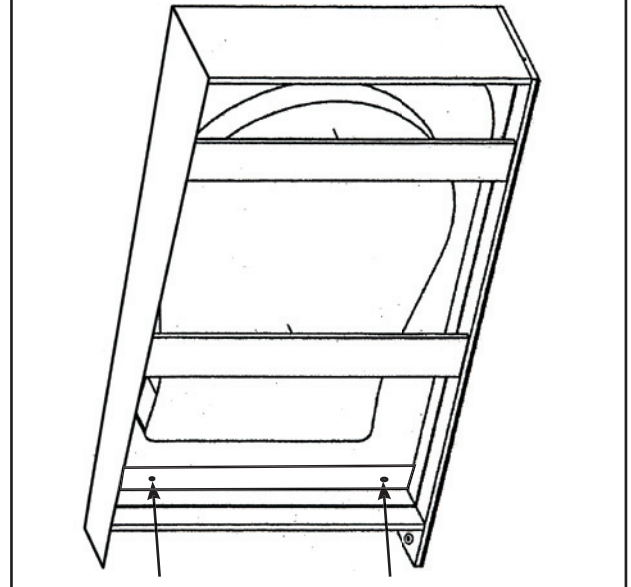
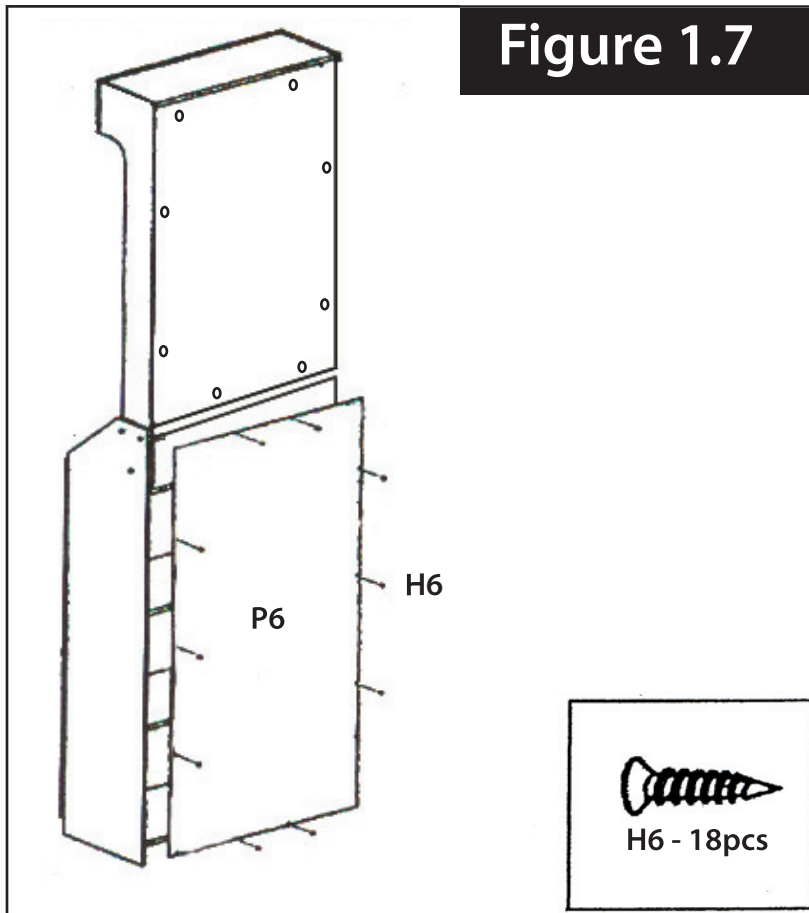
STEP 10.

Attach Middle Door Stay (H10) to the Middle Door (P9) and the inner Side Panel (P2) using Screw (H1) as shown in Figure 1.6.

Figure 1.7

Note:

If you find it necessary to remove the dart board, simply remove the upper backing. Once you have removed the backing exposing the cross beams seen below, remove the 2 screws holding the front panel in place. Remove the black surround to extract the dartboard. Carefully unplug the wires to fully remove the board.



Place Free Standing Game against the wall where it will be secured. Draw a small line on the wall at the top of the FS Game. Move the FS Game to attach the bracket to the wall using Molly Bolt (H11), Screw (H5) and washer (H15). The top of the bracket should be matched to the line on the wall. Re-position the free standing game under the bracket and then secure the bracket to the top of the free standing game using Screw (H6).

Note:

Using a ladder, secure the bracket to the top using Screw (H6).

