

ROOF-CEPTOR® INDIRECT WASTE DRAIN

7 1/4"(185) TOP - MEDIUM DEPTH RECEPTORS

FUNCTION: Recommended for use in roof areas to receive waste water from air conditioning units, cooling towers and other mechanical equipment installed on the roof. The solid water dam prevents storm water from entering the waste line. The large vandal proof dome bottom strainer provides ample drainage and prevents entry of debris.

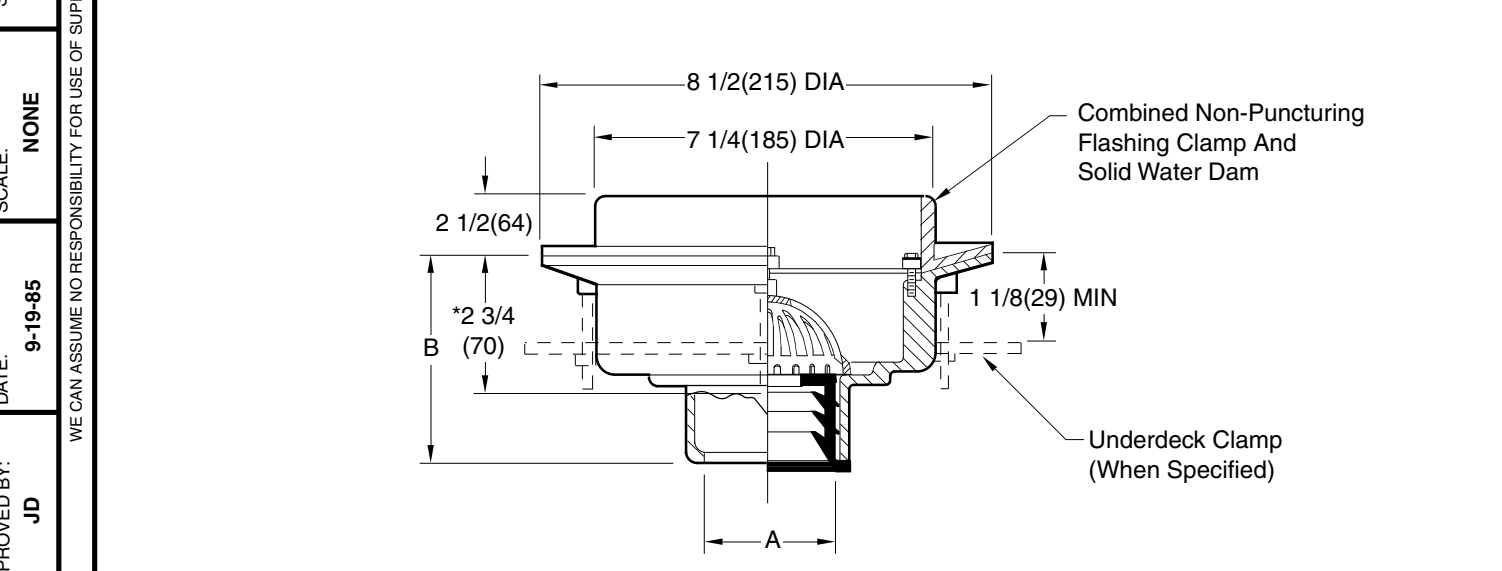


Fig. 3960C ... CAULK OUTLET
 Fig. 3960Y ... NO-HUB OUTLET

*This Dimension to Internal Stop of Speedi-Set Gasket

recommended deck openings:
 with suffix -R - 9"(230)
 less suffix -R - 7 3/4"(195)

A SIZE	02 (50)	03 (80)	04 (100)
B	5 1/2(140) for Caulk, NO-HUB and Speedi-Set.		
	4 1/4(110) for Threaded		

REGULARLY FURNISHED:
 Duco Cast Iron Receptor with Solid Water Dam and Cast Iron Dome Bottom Strainer Secured with Stainless Steel Vandal Proof Screws.

VARIATIONS:
 Extension -E
 L Speedi-Set Service Weight
 LXH Speedi-Set Extra Heavy
 Roof Sump Receiver -R
 Underdeck Clamp-UDC
 T Threaded Outlet

OPTIONAL MATERIALS:
 All Galvanized -G

NOTE: Dimensions shown in parentheses are in millimeters.

FIGURE NUMBER	C	04/22/04	Added UDC to Variations Added Millimeters Submittal Update	JJ	CL	WEIGHT POUNDS	VOLUME CUBIC FEET	FIGURE NUMBER
	A	8-27-96 7-26-94		EMB				
REV.	DATE	DESCRIPTION	BY	CKD. BY				3960

C

DRAWING NUMBER S3960

SIZE A

SCALE: NONE

DATE: 9-19-85

APPROVED BY: JD

CHECKED BY: JD

DRAWN BY: PJ

3960

DIMENSIONS ARE SUBJECT TO MANUFACTURERS TOLERANCE AND CHANGE WITHOUT NOTICE

WE CAN ASSUME NO RESPONSIBILITY FOR USE OF SUPERSEDED OR VOID DATA