



Date: \_\_\_\_\_ Type: \_\_\_\_\_

Firm Name: \_\_\_\_\_

Project: \_\_\_\_\_

# ColorReach Powercore gen2

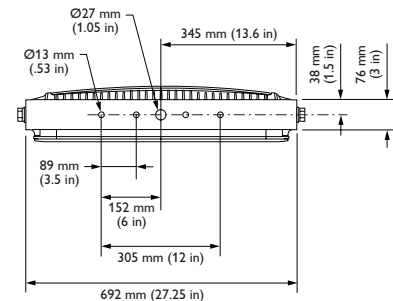
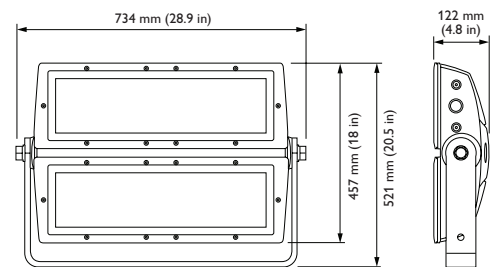
## 23° spread lens, UL / CE

Premium long-throw exterior LED floodlight with intelligent color light

ColorReach Powercore gen2 combines all the benefits of LED-based lighting and control in an elegant fixture specifically designed for large-scale installations, such as skyscrapers, casinos, bridges, piers, public monuments, and themed attractions. With levels of light output and projection never before achieved in an LED lighting fixture, ColorReach Powercore gen2 affords entirely new possibilities in exterior illumination.

- Integrates Powercore technology — Powercore technology rapidly, efficiently, and accurately controls power output to fixtures directly from line voltage. Philips Data Enabler Pro merges line voltage and control data and delivers them to fixtures over a single standard cable, dramatically simplifying installation and lowering total system cost.
- Versatile optics — A native 5° beam angle and exchangeable spread lenses of 8°, 13°, 23°, 40°, 63°, and an asymmetric 5° x 17° support a variety of photometric distributions for a multitude of applications, including spotlighting, wall grazing, and asymmetric wall washing. Bezel and gasket are included with spread lenses for easy user installation.
- Unique split design supports diffuser combinations — Each half of the fixture is individually addressable and controllable. For instance, you could use one spread lens on the fixture's lower half to bathe a large façade with color at street level, and a different spread lens to project a contrasting or complementary color hundreds of feet up the building's walls.
- Saturated, cost-effective color — High-performance LEDs offer rich, saturated color at significantly less cost for installation, operation, and maintenance than traditional light sources.
- Simple fixture positioning — Rugged, slim-profile mounting bracket allows simple positioning and fixture rotation through a full 360°. Side locking bolts reliably secure fixture with a standard wrench.

- Universal power input range — Fixtures accept a universal power input range of 100 – 277 VAC, allowing consistent installation in any location around the world.



- Industry-leading controls — Fixtures work seamlessly with the complete Philips Color Kinetics line of controllers, including Light System Manager, iPlayer 3, and ColorDial Pro, as well as third-party controllers.

For detailed product information, please refer to the ColorReach Powercore gen2 Product Guide at [www.philipscolorkinetics.com/ls/rgb/colorreach/](http://www.philipscolorkinetics.com/ls/rgb/colorreach/)

**PHILIPS**

## Specifications

Due to continuous improvements and innovations, specifications may change without notice.

Item	Specification	Details
Output	Lumens*	4063 (half unit)
	LED Channels	Red / Green / Blue
	Mixing Distance	50 ft (15.2 m) to uniform light
	Lumen Maintenance†	100,000 hours L70 @ 25° C    100,000 hours L70 @ 50° C
Electrical	Input Voltage	100 – 277 VAC, auto-switching, 50 / 60 Hz
	Power Consumption	270 W maximum at full output, steady state
Control	Interface	Data Enabler Pro (DMX / Ethernet)
	Control System	Philips Color Kinetics full range of controllers, including Light System Manager, iPlayer 3, and ColorDial Pro, or third-party controllers
Physical	Dimensions (Height x Width x Depth)	20.5 x 28.9 x 4.8 in (521 x 734 x 122 mm)
	Weight	75 lb (34 kg)
	Effective Projected Area (EPA)	0.42 m <sup>2</sup>
	Housing	Die-cast aluminium, powder-coated finish
	Lens	Tempered glass
	Fixture Connections	Integral male / female waterproof connector, 6 ft (1.8 m) unified power / data cable
	Temperature Ranges	-40° – 122° F (-40° – 50° C) Operating -4° – 122° F (-20° – 50° C) Startup -40° – 176° F (-40° – 80° C) Storage
	Humidity	0 – 95%, non-condensing
Certification and Safety	Certification	UL / cUL, FCC Class A, CE, PSE
	Environment	Dry / Damp / Wet Location, IP66

\* Lumen measurement complies with IES LM-79-08 testing procedures

† L70 = 70% lumen maintenance (when light output drops below 70% of initial output). Ambient luminaire temperatures specified. Lumen maintenance calculations are based on lifetime prediction graphs supplied by LED source manufacturers. Calculations for white-light LED fixtures are based on measurements that comply with IES LM-80-08 testing procedures. Refer to [www.philipscolorkinetics.com/support/appnotes/lm-80-08.pdf](http://www.philipscolorkinetics.com/support/appnotes/lm-80-08.pdf) for more information.



## Fixtures and Accessories

Item	Type	Item Number	Philips 12NC
ColorReach Powercore <i>Includes 3.0 m (10 ft) leader cable</i>	UL / CE	123-000153-00	912400130182
Replacement Leader Cable	UL	3.0 m (10 ft)	108-000055-03 910503704066
		15.2 m (50 ft)	108-000055-00 910503703137
	CE	3.0 m (10 ft)	108-000055-04 910503704067
		15.2 m (50 ft)	108-000055-01 910503704064
Spread Lens with bezel	13°	120-000068-00	910503700506
	23°	120-000068-01	910503700507
	40°	120-000068-02	910503700508
	63°	120-000068-03	910503700509
	Asymmetric (5° x 17°)	120-000068-04	910503700510
	8°	120-000068-05	910503700511

Use Item Number when ordering in North America.

Copyright © 2015 Philips Solid-State Lighting Solutions, Inc. All rights reserved. Chromacore, Chromasic, CK, the CK logo, Color Kinetics, the Color Kinetics logo, ColorBlast, ColorBlaze, ColorBurst, ColorGraze, ColorPlay, ColorReach, iW Reach, eW Reach, DIMand, EssentialWhite, eW, iColor, iColor Cove, IntelliWhite, iW, iPlayer, Optibin, and Powercore are either registered trademarks or trademarks of Philips Solid-State Lighting Solutions, Inc. in the United States and / or other countries. All other brand or product names are trademarks or registered trademarks of their respective owners. Due to continuous improvements and innovations, specifications may change without notice.

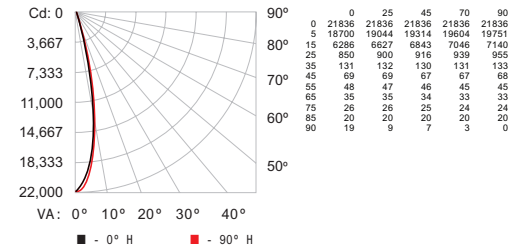
DAS-000133-04 R02 9-15



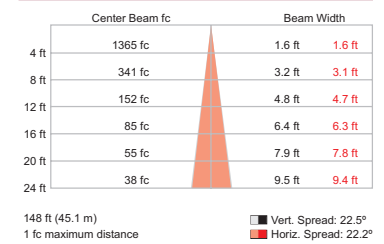
## Photometrics

23° spread lens, half unit

### Polar Candela Distribution



### Illuminance at Distance



LED	Lumens	Efficacy
RGB	4063	31.9

For lux multiply fc by 10.7



Philips Color Kinetics  
3 Burlington Woods Drive  
Burlington, Massachusetts 01803 USA  
Tel 888.385.5742  
Tel 617.423.9999  
Fax 617.423.9998  
[www.philipscolorkinetics.com](http://www.philipscolorkinetics.com)