

# ROUND ARCHITECTURAL SURFACE MOUNT

# RNDS

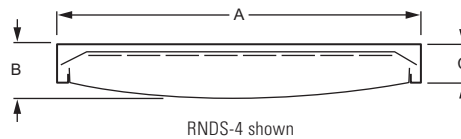
## LED

CATALOG #:				TYPE:			
PROJECT:			NOTES:				
<b>EXAMPLE</b> <b>RNDS - 4 - L136/835 - FXA - OPTIONS - DIM - UNV</b>							
SERIES		NOMINAL DIAMETER	LUMEN PACKAGE	CRI & CCT	LENS	OPTIONS	VOLTAGE



## FEATURES

- ▶ Round, surface mounted, architectural fixture adds visual interest to a variety of applications.
- ▶ Frosted, round acrylic lens provides soft, uniform light distribution.
- ▶ Lift-and-twist lens assembly allows for easy maintenance.
- ▶ LED technology provides high efficacy and energy efficiency.
- ▶ Rated for 50,000 hours at 85% lumen maintenance (L85).
- ▶ Minimum 82 CRI; 3000K, 3500K, 4000K CCT.
- ▶ This fixture is proudly made in the USA.



Fixture	A (Dia.)	B	C
2'	26-3/16"	6-11/16"	5-1/8"
3'	36-11/16"	7-3/16"	5-1/8"
4'	48-11/16"	7-11/16"	5-1/8"

## SPECIFICATIONS

**Housing** – .080" spun aluminum outer housing with C.R.S. back plate.  
**Shielding** – Frosted acrylic lens, .125" thick.  
**Finish** – Textured matte white polyester TGIC powder coat bonded to phosphate-free, multi-stage pretreated metal. All parts painted after fabrication to facilitate installation, increase efficiency, and inhibit corrosion.  
**Electrical** – High quality mid-power LED boards. L85 at 50,000 hours. 25°C maximum ambient operating temperature.  
**Mounting** – Surface mount.  
**Labels** – cCSAus certified as luminaire suitable for dry or damp locations.  
**Warranty** – 5-year limited fixture warranty, see [www.hewilliams.com/warranty](http://www.hewilliams.com/warranty).

## ORDERING INFORMATION

SERIES	
<b>RNDS</b>	Round Architectural Surface Mount

NOMINAL DIAMETER	
2	2'
3	3'
4	4'

LED PACKAGE			
EXAMPLE: L136/835			AVERAGE SYSTEM WATTAGE
LUMEN PACKAGE	NOMINAL LUMENS	MINIMUM CRI & CCT	
<b>2' UNIT</b>			31
L25/	2,500	830 = 82 CRI, 3000K 835 = 82 CRI, 3500K 840 = 82 CRI, 4000K	
<b>3' UNIT</b>			
L67/	6,700		
<b>4' UNIT</b>			75
L136/	13,600		125

Nominal lumen output based on 3500K CCT. Actual lumens may vary +/- 5%. See specific photometric tests. Additional LED lumen packages available, consult factory.

LENS	
<b>FXA</b>	Frosted convex acrylic lens

OPTIONS	
<b>EM/BSL310 REMOTE MOUNT<sup>1</sup></b>	Remote mount emergency LED driver (maximum nominal 950 lumens module output in EM mode). See back for details. <sup>1</sup>
<b>(L__)</b>	Additional lower lumen packages available. Specify in increments of 100 nominal lumens. <b>Example:</b> 12,500 nominal lumens = RNDS-4-L136/835-FXA-(L125)

DRIVER	
<b>DRV</b>	Driver prewired for non-dimming applications
<b>DIM</b>	Driver prewired for 0-10V low-voltage dimming applications

VOLTAGE	
<b>120</b>	120V
<b>277</b>	277V
<b>UNV</b>	120-277V

<sup>1</sup> EM/BSL310 REMOTE MOUNT requires remote mounted LED driver, provided with remote mounting enclosure for installation in ceiling above fixture. Separate power and control wiring to remote box required. See back for details.

LED

### PHOTOMETRY

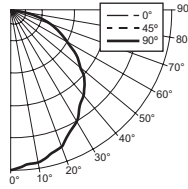
Catalog #: RNDS-4-L136/835-FXA-DRV-UNV

#### IMPORTANT:

Electrostatic sensitive unit. Observe precautions when handling.

#### TEST REPORT INFORMATION

- ▶ Test Report #: 18643.0
- ▶ Date: 01/23/15
- ▶ Lamp Type: LED
- ▶ **Rated Lumens: 13550**
- ▶ **Watts: 125.2**
- ▶ **Lumens Per Watt: 108.2**
- ▶ **CRI: 83**
- ▶ **CCT: 3375K**



#### CANDLEPOWER DISTRIBUTION

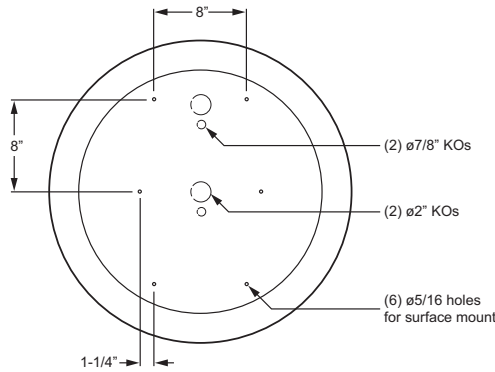
Vertical Angle	Horizontal Angle			Zonal Lumens
	0°	45°	90°	
0°	4974.	4974.	4974.	
5°	4802.	4798.	4794.	458.0
15°	4600.	4594.	4596.	1302.8
25°	4163.	4158.	4161.	1925.4
35°	3629.	3622.	3627.	2277.0
45°	3178.	3172.	3176.	2457.3
55°	2433.	2429.	2437.	2182.8
65°	1675.	1666.	1677.	1657.8
75°	888.	890.	890.	940.2
85°	316.	321.	321.	348.9
90°	125.	127.	127.	

#### LUMEN SUMMARY

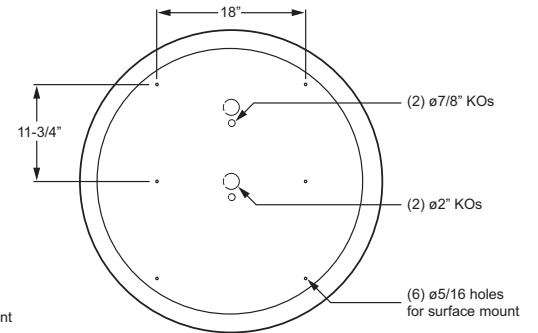
Zone	Lumens	% Fixture
0° - 30°	3686.	27.2
0° - 40°	5963.	44.0
0° - 60°	10603.	78.3
0° - 90°	13550.	100.0
<b>Total Luminaire:</b>		
0° - 180°	13550.	100.0
IES Spacing Criteria: End = 1.2 Across = 1.2 Diagonal = 1.2		

### FIXTURE DETAILS

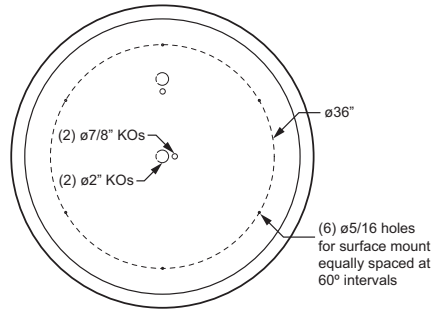
#### 2' MOUNTING INFORMATION



#### 3' MOUNTING INFORMATION



#### 4' MOUNTING INFORMATION



#### EM/BSL310 REMOTE MOUNT DETAILS

