

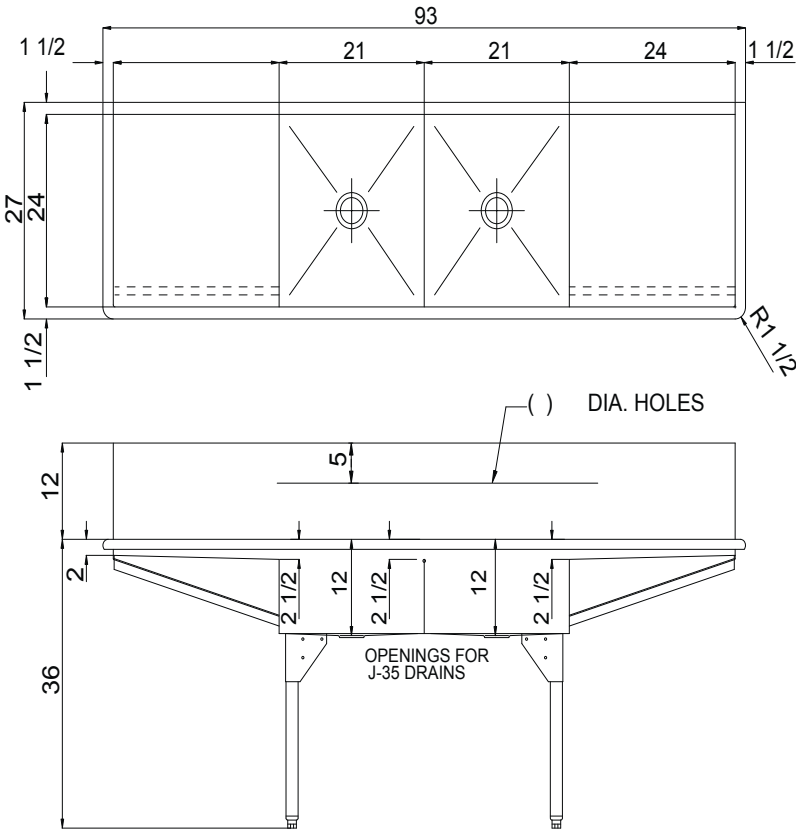


**INSTITUTIONAL GROUP**

**SB-242-24RL (12/12)**

**TWO COMPARTMENT  
SQUARE CORNER - TWO DRAINBOARDS**

**SUBMITTAL DATA**



Models listed above will be fabricated based on the detail shown here. Standard depth is 12", standard backsplash height is 12", for other sizes, specify requirements. Custom size units will be based on the above drawing, modified as required.

**41.44**  
Gallon  
Capacity

**Capacity Matters**

Max ID sizing with straight sided bowl configuration (non tapered sides). Tight corner radius design.

**SPECIFICATION**

Constructed of 14 gauge type 304, 18-8 stainless steel. Interior surfaces polished with a non-porous Hand-Blended Just Finish. Exposed exterior surfaces to have a brush finish. Supported on (4) 1 5/8 O.D. stainless steel tubular legs with stainless steel angle gussets and adjustable bullet feet. Drain punch #35 centered for Just J-35 unless otherwise specified.

FUNCTIONAL DESIGN, QUALITY, AND SPECIFICATIONS LISTED DESCRIBE THE JUST STANDARD OF QUALITY. WHEN MAKING COMPARISONS WITH OTHER OFFERINGS, INSIST ON THE JUST QUALITY OF CONSTRUCTION. FOR ADDITIONAL INFORMATION REGARDING THE COMPLETE LINE OF **JUST** SINKS, FAUCETS AND DRAINS, VISIT OUR WEB SITE AT [www.justmfg.com](http://www.justmfg.com)

**To be specified :**

- Faucet hole punching:  
**Over partition(centered):**  
**Over each Compartment**  
**(centered)**

**Holes punched at each location:**

- (1) Hole Centered
- (2) Holes on 8" centers
- (3) Holes on 4 "centers

Alternate Punching:  
Faucet Model: \_\_\_\_\_

Punching required: \_\_\_\_\_

**Standard**

**Depth - 12" Backsplash ht-12"**  
(Water level 11-1/4")

**Alternate sizing**

8" backsplash / 14" depth  
\_\_\_\_\_backsplash  
\_\_\_\_\_depth

Job Name \_\_\_\_\_

Customer \_\_\_\_\_

Architect/Engineer \_\_\_\_\_

APPROVED FOR MANUFACTURING

MODEL NO. **SB-242-24RL** QTY. \_\_\_\_\_

COMPANY \_\_\_\_\_

TITLE \_\_\_\_\_ DATE \_\_\_\_\_

SIGNATURE \_\_\_\_\_

REVISED-5/2004

**JUST MANUFACTURING COMPANY**

**9233 KING STREET . FRANKLIN PARK . ILLINOIS . 60131-2111**

PH: 847-678-5150 . FAX: 847-678-6817 . E-MAIL: [custserv@justmfg.com](mailto:custserv@justmfg.com) . [www.justmfg.com](http://www.justmfg.com)