

SNO-WAY[®]

SNOW & ICE CONTROL EQUIPMENT

SERVICE PARTS MANUAL

22 SERIES SNOW PLOWS
FOR PLOW SERIAL NUMBERS AFTER
22D100000
22G100000



TABLE OF CONTENTS

	Page
PARTS LIST INTRODUCTION.....	2
POWER PACK FRAME.....	3
BLADES.....	6
HYDRAULIC SYSTEM - GRAVITY DOWN.....	7
HYDRAULIC SYSTEM - DOWN PRESSURE.....	8
HYDRAULIC POWER UNIT - GRAVITY DOWN SYSTEM.....	9
HYDRAULIC POWER UNIT - DOWN PRESSURE SYSTEM.....	11
NOTES	13
LIFT CYLINDER - GRAVITY DOWN SYSTEM.....	14
LIFT CYLINDER - DOWN PRESSURE SYSTEM.....	15
ANGLE CYLINDERS	16
POWER PACK WIRING	17
CONTROL SYSTEM WIRING.....	18
AUXILIARY LIGHTS	19
NUMERICAL INDEX	21

PARTS LIST INTRODUCTION

Our dealership network stands by to provide you with any assistance you may require, including genuine Sno-Way service parts. All parts should be obtained from or ordered through your dealer. Give complete information about the part as well as the Model Number and Serial Number of your machine.

Record the Serial Number in the space provided in your Owner's Manual for quick reference. The Serial Number for the unit is on a plate located on the left frame gusset of the Hopper Frame.

"Right" and "Left" are determined from a position sitting on the Operators Seat of the vehicle.

We reserve the right to make changes or improvements in the design or construction of any part without incurring the obligation to install such changes in any unit previously delivered.

USING THIS PARTS LIST

Below is parts listing with four columns. The first column is the "ITEM", the second is the "PART NUMBER", The third is the "DESCRIPTION" and the fourth is the "QUANTITY".

The **"ITEM"** is the number used in the corresponding illustration.

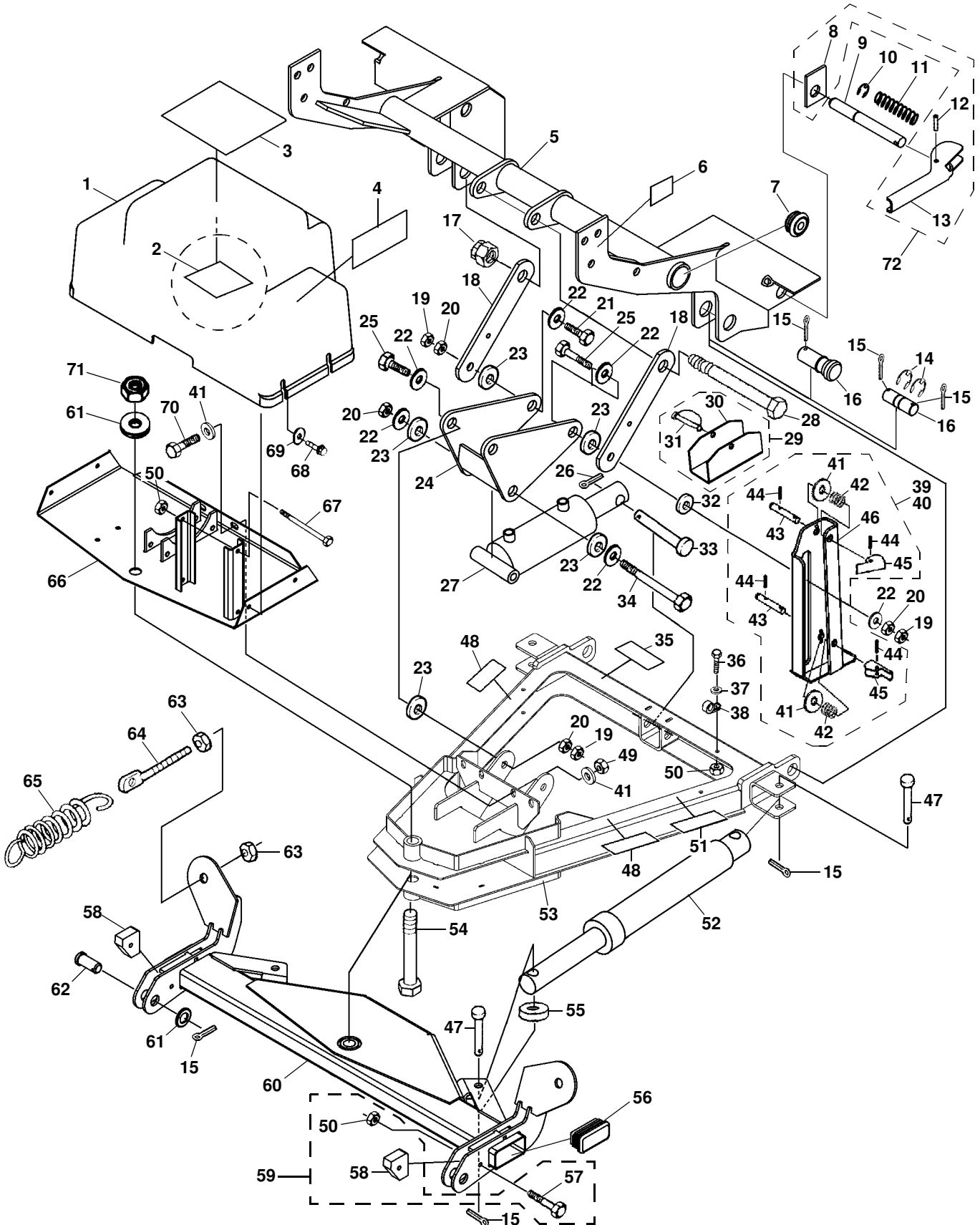
The **"PART NO."** is the number used to order replacement parts. If a number does not appear in the column the part is only available by ordering the complete assembly.

The **"DESCRIPTION"** is the name of the replacement part. At times the name may be indented, this means that the indented parts are part of the preceding assembly.

The **"QTY."** is the quantity needed to service the assembly illustrated, not the complete product.

ITEM	PART NO.	DESCRIPTION	QTY.
1	96100083	O-ring	1
2	96001529	Elbow	3
3	98100036	Capscrew, Hex.,3/8"-16NC x 7/8"	9

POWER PACK FRAME

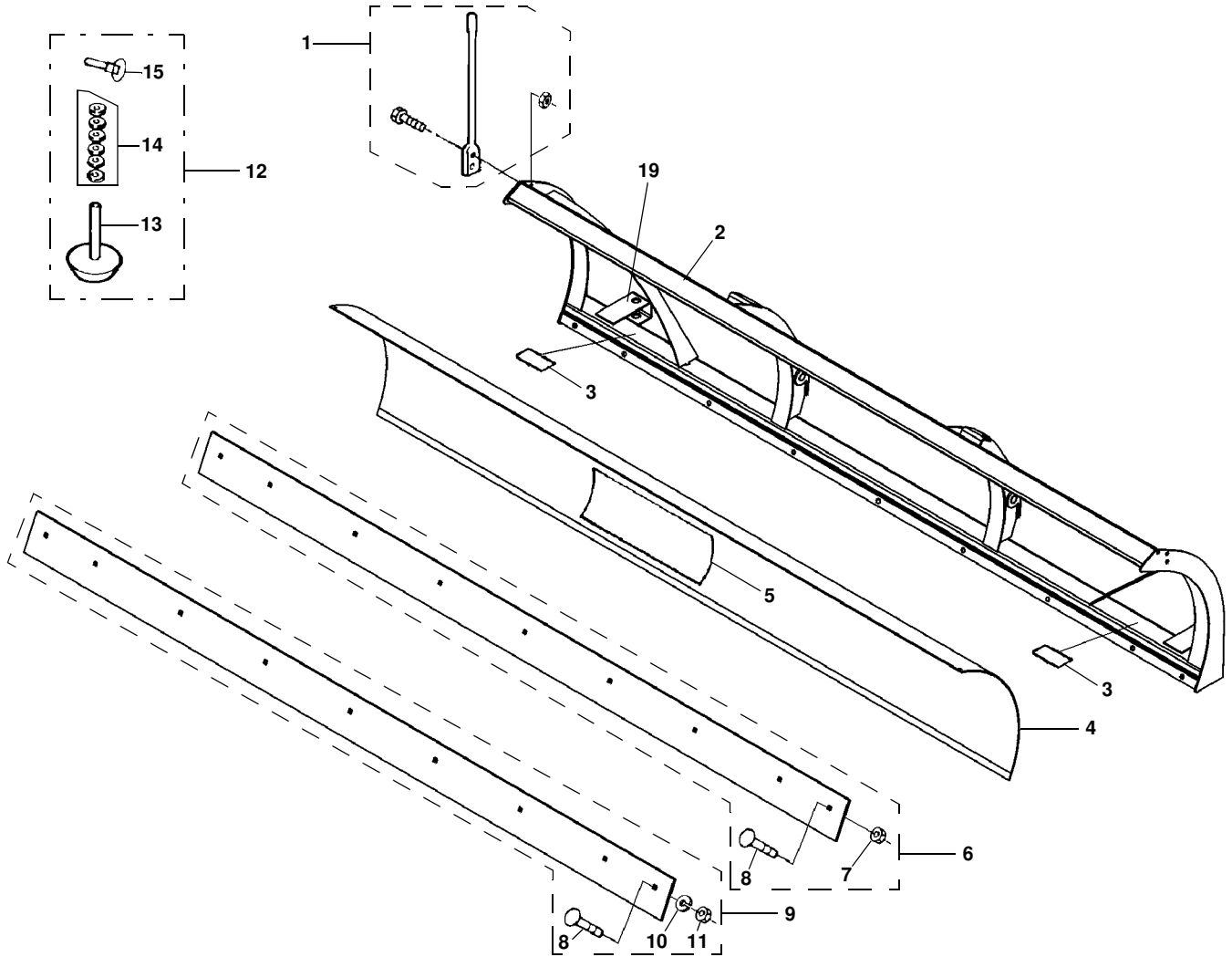


POWER PACK FRAME

ITEM	PART NO.	DESCRIPTION	QTY
1	96106073	Cover, 32 Series Pump.....	1
2	97100750	Decal, DP System.....	1
	97100752	Decal, Gravity System	1
3	97100986	Decal, Mounting Instructions	1
4	97101087	Decal, Warning, Cover Removal.....	1
5	96109014	Light/Lift Bar, Quick-Attach	1
	96107550	Assembly, Light/Lift Bar, Quick-Attach (includes items 8, 9, 10, 11, 12, 13) (Serial Numbers before 22D101184 and 22G100097, Order (2) lower hitch pins, item 16 with item 5.).....	1
6	97100400	Decal, Warning	1
7	96108875	End Cap, 1-1/2"	2
8	96110515	Plate, Bearing, Polyethylene	2
9	96107128	Pin, Quick-Tatch - Upper Hitch Pin	2
10	98100312	E-Ring.....	2
11	96107130	Spring, SS	2
12	98100313	Pin, Roll, 1/4 x 1-3/8" SS	2
13		Handle, Quick-Release (Available as Kit, Item 72)	
14	98100326	E-Ring, 7/8"	4
15	98009085	Pin, Cotter, 5/32" x 1-1/2"	10
16	96106958	Pin, Quick Hitch - Lower Hitch Pin (Use for Serial Numbers on or before 22D101183 and 22G100096)	2
	96109928	Pin, Quick Hitch - Lower Hitch Pin (Use for Serial Numbers on or after 22D101184 and 22G100097)	2
17	98009038	Nut, Nylock, 5/8"-11	1
18	96106885	Link, Lift	2
19	98100172	Nut, Jam, 1/2"-13	4
20	98009013	Nut, Nylock, 1/2"-13	5
21	98100390	Cap Screw, Hex, 1/2"-13 x 1-3/4"	2
22	98100176	Washer, Hardened	7
23		Spacer, Lift Bar (Available only in Kit)	
	96110393	Kit, Spacer (includes item 17, 28, two of item 19, 20, 21, and six of item 23)	6
24	96106884	Bellcrank.....	1
25	98100010	Cap Screw, Hex, 1/2"-13 x 2"	2
26	98100341	Pin, Cotter, 5/32" x 1"	1
27	96106893	Cylinder, Lift, Gravity Down	1
	96106894	Cylinder, Lift, Down Pressure	1
28	98009197	Cap Screw, Hex 5/8"-11 x 6"	1
29	96105278	Clamp, Cylinder Lock, Gravity Down	1
	96107769	Clamp, Cylinder Lock, Down Pressure	1
30		Clamp, Cylinder Lock, Gravity Down	1
		Clamp, Cylinder Lock, Down Pressure	1
31		Pin, Wire Lock.....	1
32	96106987	Spacer, Stand	1
33	98100251	Pin, Clevis, 5/8" x 3-1/2"	1
34	98009114	Cap Screw, Hex, 1/2"-13 x 6"	1
35	97100005	Decal, Patent	1
36	98009027	Cap Screw, Hex, 1/4"-20 x 1"	1
37	98100254	Washer, Flat, 1/4"	1
38	96101891	Clamp, Tube.....	1
39	96107532	Jackstand Assembly, 22/26 Series	1
40	96107711	Kit, Jackstand Hardware (includes one ea. items 41, 42, 43, 45, two item 44)	2
41	98009032	Washer, 3/8"	6
42		Spring, Latch	2
43		Pin, Latch.....	2
44		Roll Pin, 5/32" x 7/8"	4
45		Cam, Jackstand	2
46	96106986	Jackstand.....	1
47	98100322	Pin, Clevis, 1/2" x 2-3/8"	4
48	97100876	Decal, Warning, Pinch Point	2
49	98009009	Nut, Hex Nylock, 3/8"-16	2
50	98100255	Nut, Nylock, 1/4"-20	4
51	97100001	Decal, Warning	1
52	96110951	Cylinder, Angle, 1" (see Page 16 for parts breakdown)	2
53	96107512	A-Frame, 22 Series.....	1
54	98100324	Cap Screw, Hex, 3/4"-10 x 6-1/2"	1

55	96107710	Spacer, Swing Cylinder 22.....	2
56	96108877	End Cap, 3 x 1-1/2".....	2
57	98100340	Cap Screw, Hex, 1/4"-20 x 1-1/2".....	2
58		Cushion/Stop, Blade Trip, 22 Series	1
59	96108338	Kit, Stop, Blade Trip, 22.....	1
60	96106391	Frame, Swing, 22 Series.....	1
61	98009030	Washer, Flat, 3/4".....	3
62	98100320	Pin, Clevis, 3/4" x 1-5/8".....	2
63	98009078	Nut, Hex, 5/8"-11.....	4
64	96102781	Eye Bolt, 5/8"-11 x 6".....	2
65	96106889	Spring, Trip.....	2
66	96106903	Platform, Pump.....	1
67	98100266	Cap Screw, Hex, 1/4"-20 x 6".....	1
68	98019176	Screw, Flange Head, Self-Tapping, 5/16" x 1"	4
69	98019230	Washer, Flat, 5/16".....	4
70	98009022	Cap Screw, Hex, 3/8"-16 x 1".....	2
71	98100323	Nut, Hex, 3/4"-10.....	1
72	99100953	Kit, Cam Handle (includes item 8,12, and 13)	2

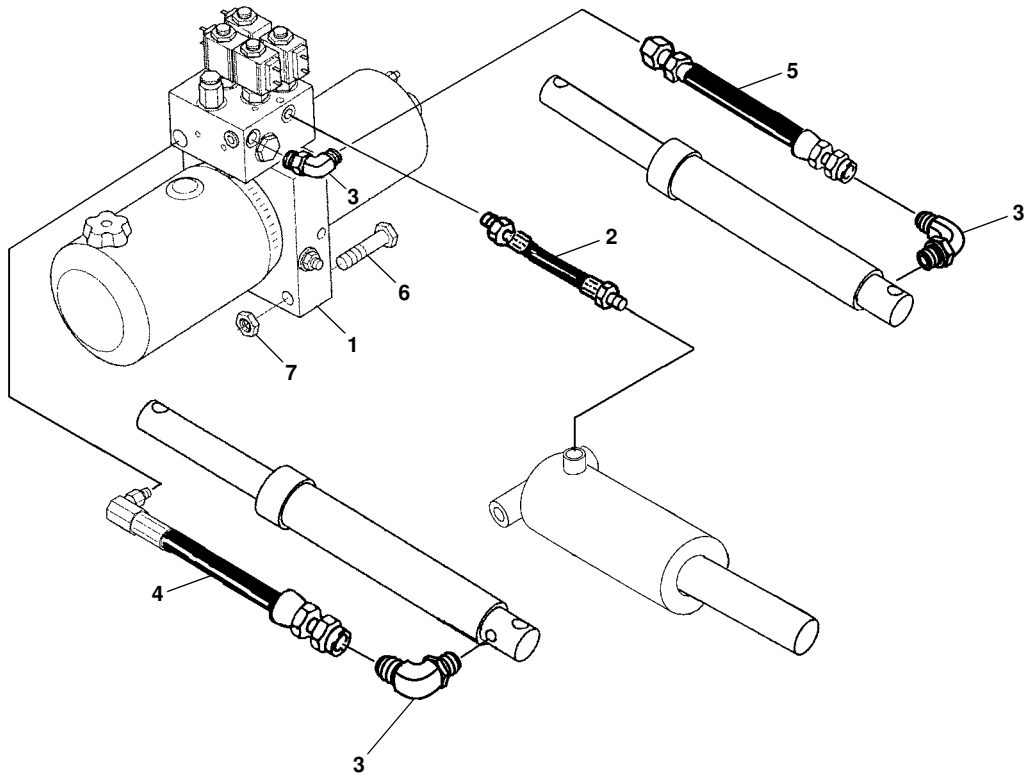
BLADES



ITEM	PART NO.	DESCRIPTION	QTY
1	96106696	Kit, Guide, Blade (includes 2 Guides and Mounting Hardware)	1
2		Frame, 72"	1
		Frame, 80"	1
		Frame, 90"	1
3	97100018	Decal, Warning	2
4	96107793	Kit, Skin, Polycarbonate, 72" (includes "Sno-Way" Decal)	1
	96107794	Kit, Skin, Polycarbonate, 80" (includes "Sno-Way" Decal)	1
	96107795	Kit, Skin, Polycarbonate, 90" (includes "Sno-Way" Decal)	1
5	97100912	Decal, Sno-Way (used with Polycarbonate Blade)	1
6	96107796	Kit, Wearstrip, Steel, 72"	1
	96107797	Kit, Wearstrip, Steel, 80"	1
	96107798	Kit, Wearstrip, Steel, 90"	1
7	98009009	Nut, Hex., Nylock, 3/8"-16	9
8	98009061	Bolt, Carriage, Gr. 5, 3/8"-16 x 1-1/2"	9
9	96108011	Kit, Wearstrip, Poly, 72"	1
	96108012	Kit, Wearstrip, Poly, 80"	1
	96108013	Kit, Wearstrip, Poly, 90"	1
10	98009008	Washer, Lock, 3/8"	9
11	98009077	Nut, Hex, 3/8"-16	9
12	96001191	Assembly, Shoe	2
13		Shoe, Cast, 3/4" Shaft	1
14	98009127	Washer, Flat, 7/8"	15
15	98009169	Pin, Lynch, 1/4" x 1-9/16"	1
16	99100490	Kit, Deflector, Curled (all blades, includes Hardware)	1
17	96101257	Hardware Kit, Curled Deflector	1
18	99100788*	Kit, Shoe (includes (2) item 12)	1
19	96107463	Brkt., Shoe, 22	2

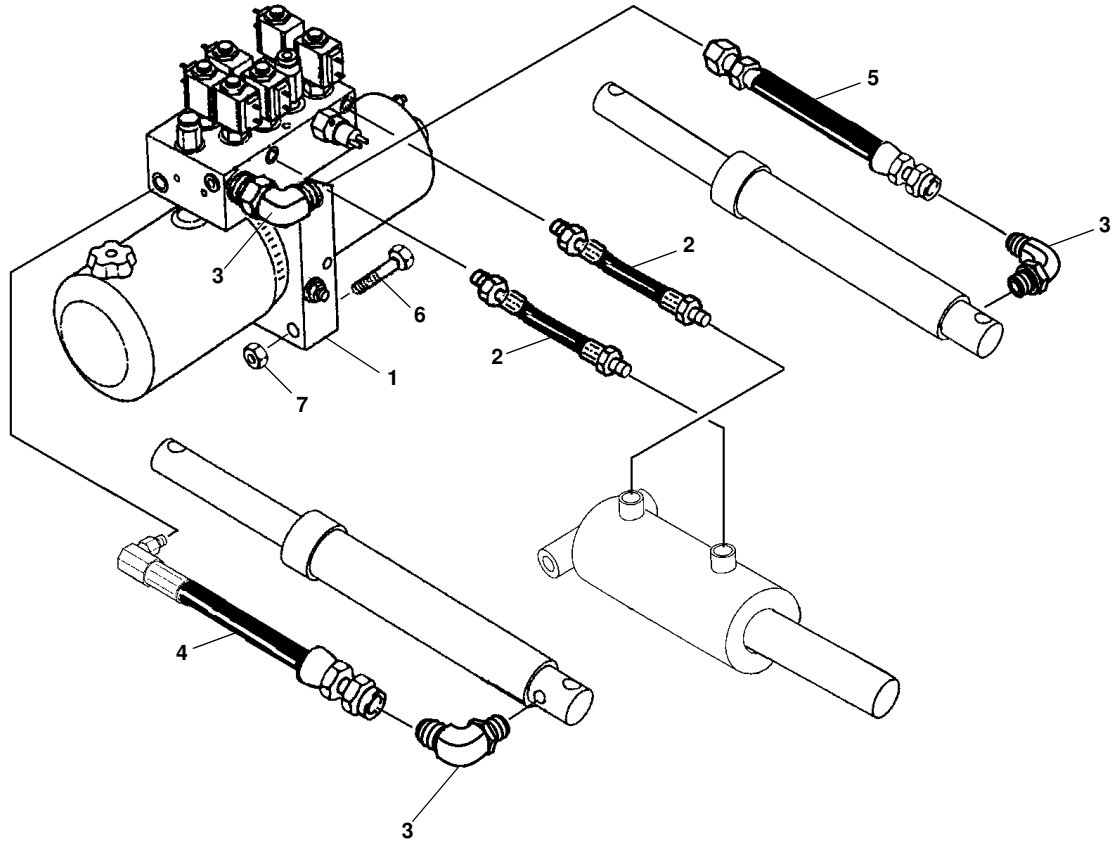
* NOT SHOWN

HYDRAULIC SYSTEM GRAVITY DOWN



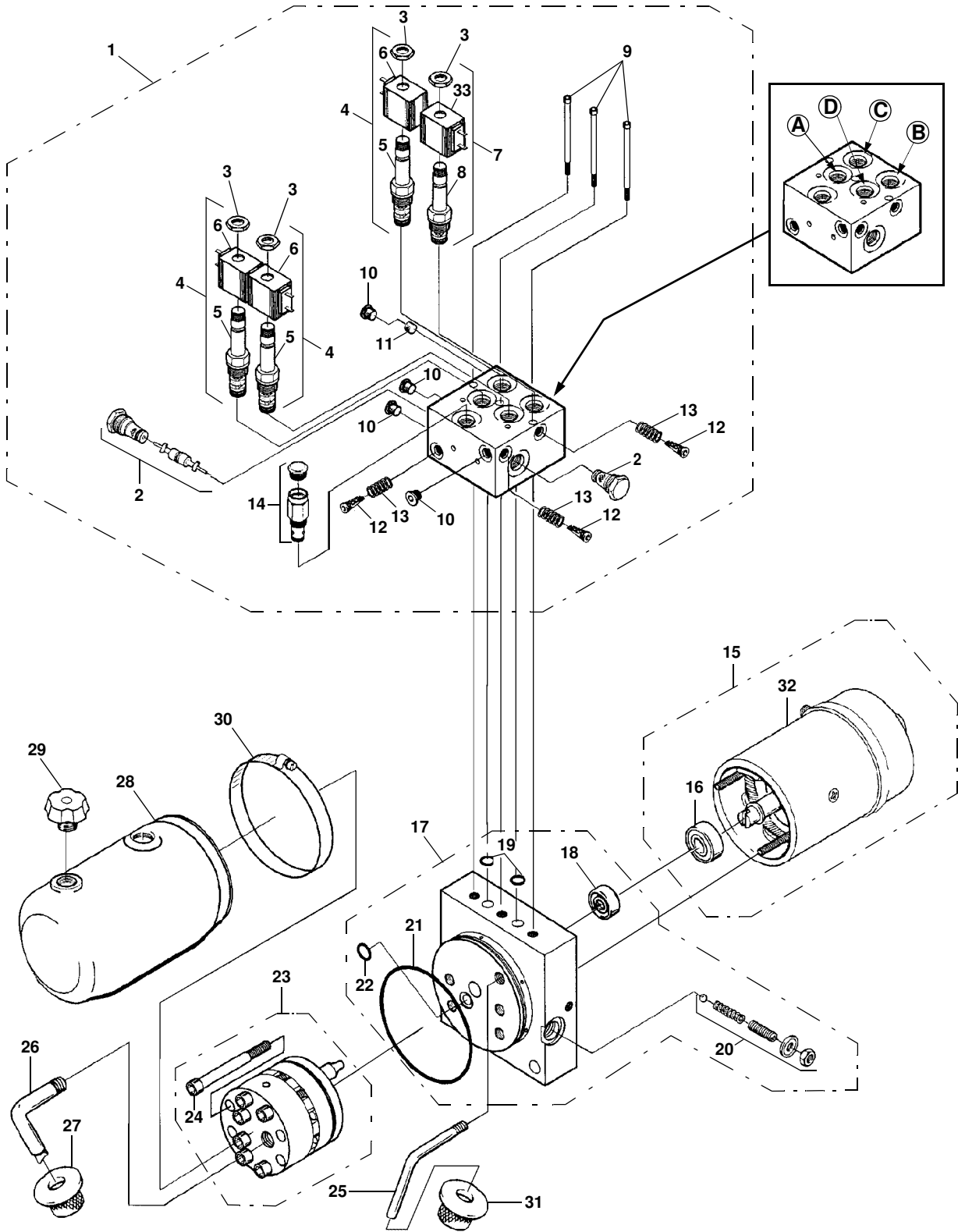
ITEM	PART NO.	DESCRIPTION	QTY
1	96107514	Power Unit, Gravity, 22 (see Page 8 for parts breakdown)	1
2	96106069	Hose, Hydraulic, 18-3/4"	1
3	96100001	Fitting, Elbow, 90 Degree.....	3
4	96106070	Hose, Hydraulic, 27-1/2"	1
5	96106071	Hose, Hydraulic, 32"	1
6	98100264	Capscrew, Hex Head, 5/16"-18 x 2-1/4"	2
7	98009150	Nylock, Hex Head, 5/16"-18.....	2

HYDRAULIC SYSTEM DOWN PRESSURE



ITEM	PART NO.	DESCRIPTION	QTY
1	96107515	Power Unit, DP, 22 (see Page 10 for parts breakdown)	1
2	96106069	Hose, Hydraulic, 18-3/4"	2
3	96100001	Fitting, Elbow, 90 Degree	3
4	96106070	Hose, Hydraulic, 27-1/2"	1
5	96106071	Hose, Hydraulic, 32"	1
6	98100264	Capscrew, Hex Head, 5/16"-18 x 2-1/4"	2
7	98009150	Nylock, Hex Head, 5/16"-18	2

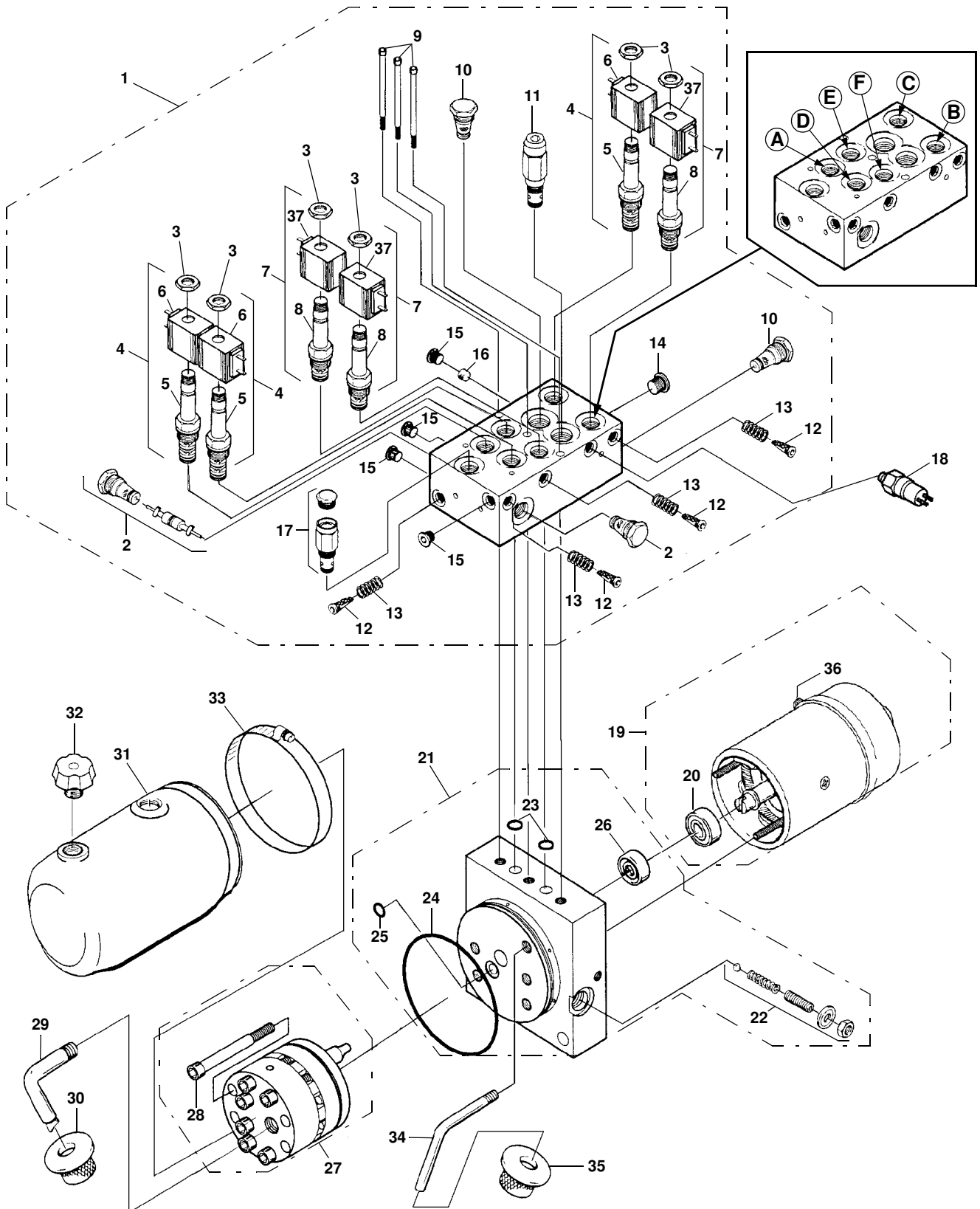
HYDRAULIC POWER UNIT GRAVITY DOWN SYSTEM



HYDRAULIC POWER UNIT GRAVITY DOWN SYSTEM

ITEM	PART NO.	DESCRIPTION	QTY
1		Valve Assembly	1
2	96106273	Valve, Check	1
3	96105275	Nut, Coil Retaining	4
4		Valve, 10V DC (Red Coil) - Use part 96108341	3
	96108341	Valve, 3-Way, 10V DC (Black Coil)	3
5		Cartridge (Red Coil) - Use part 96108341	3
	96108324	Cartridge, 3-Way (Black Coil)	3
6	96105274	Coil, 10V DC (Red)	4
	96108323	Coil, 10V DC (Black)	4
7		Valve, 10V DC (Red Coil) - Use part 96108342	1
	96108342	Valve, 2-Way, 10V DC (Blue Coil)	1
8		Cartridge (Red Coil) - Use part 96108342	1
	96108325	Cartridge, 2-Way (Blue Coil)	1
9	96105237	Screw	3
10	96105234	Fitting, Plug	4
11	96105422	Fitting, Orifice	1
	96108627	Kit, Orifice (to adjust drop rate)	1
12	96105250	Screen, Inline	3
13	96105251	Spring, Retaining.....	3
14	96105243	Valve, Relief, Cross Over	1
15	96106802	Motor, 12V DC.....	1
16		Bearing, Motor Base	1
17	96105232	Base Assembly, Pump	1
18	96105317	Seal, Shaft.....	1
19	96105314	O-Ring.....	2
20	96105313	Parts Kit, Relief Valve.....	1
21	96105315	O-Ring.....	1
22	96105316	O-Ring.....	1
23	96107803	Pump Assembly	1
24		Screw, Socket Head Cap	4
25	96105249	Tube, Return.....	1
26	96105246	Tube, Suction	1
27	96105245	Filter, Suction	1
28	96105241	Reservoir.....	1
29	96105244	Filler Cap.....	1
30	96105231	Clamp.....	1
31	96105318	Filter, Return	1
32	96106803	Brush, Replacement Kit	1
33	96111171	Coil, 10V DC (Blue Coil).....	1

HYDRAULIC POWER UNIT DOWN PRESSURE SYSTEM

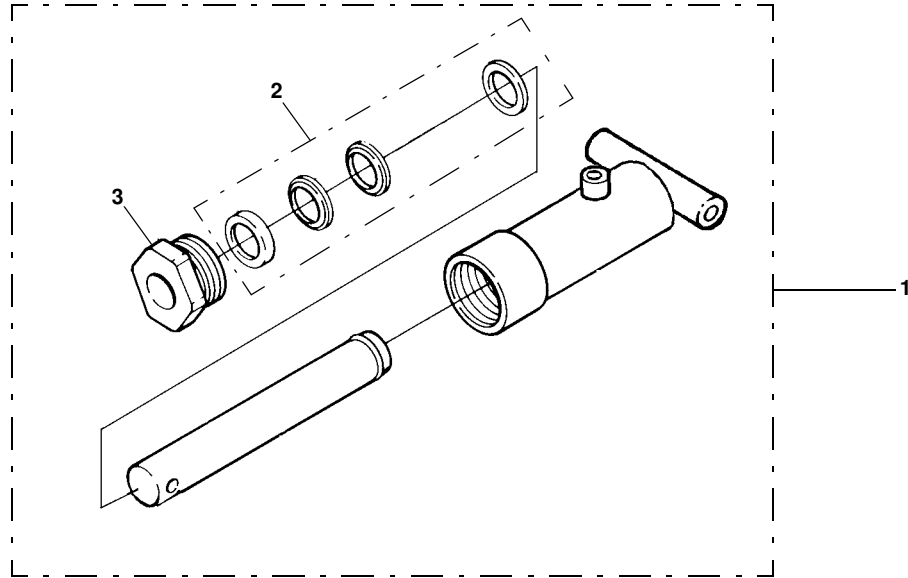


HYDRAULIC POWER UNIT DOWN PRESSURE SYSTEM

ITEM	PART NO.	DESCRIPTION	QTY
1		Valve Assembly	1
2	96106273	Valve, Check	1
3	96105275	Nut, Coil Retaining.....	6
4		Valve, 10V DC (Red Coil) - Use part 96108341	3
	96108341	Valve, 3-Way, 10V DC (Black Coil)	3
5		Cartridge (Red Coil) - Use part 96108341	3
	96108324	Cartridge, 3-Way (Black Coil)	3
6	96105274	Coil, 10V DC (Red).....	6
	96108323	Coil, 10V DC (Black).....	6
7		Valve, 10V DC (Red Coil) - Use part 96108342	3
	96108342	Valve, 2-Way, 10V DC (Blue Coil).....	3
8		Cartridge (Red Coil) - Use part 96108342	3
	96108325	Cartridge, 2-Way (Blue Coil).....	3
9	96105237	Screw.....	3
10	96105238	Valve, Check.....	2
11	96105253	Valve, Relief, Down Pressure (460-500 psi)	1
12	96105250	Screen, Inline.....	4
13	96105251	Spring, Retaining.....	4
14	96105240	Fitting, Plug.....	2
15	96105234	Fitting, Plug.....	4
16	96105422	Fitting, Orifice	1
	96108627	Kit, Orifice (to adjust drop rate).....	1
17	96105243	Valve, Relief, Crossover (2000 psi).....	1
18	96101976	Switch, Pressure (325 psi).....	1
19	96106802	Motor, 12V DC	1
20		Bearing, Motor Base.....	1
21	96105232	Base Assembly, Pump.....	1
22	96105313	Parts Kit, Relief Valve	1
23	96105314	O-Ring	2
24	96105315	O-Ring	1
25	96105316	O-Ring	1
26	96105317	Seal, Shaft	1
27	96107803	Pump Assembly.....	1
28		Screw, Socket Head Cap.....	4
29	96105246	Tube, Suction.....	1
30	96105245	Filter.....	1
31	96105241	Reservoir	1
32	96105244	Filler Cap	1
33	96105231	Clamp	1
34	96105249	Tube, Return	1
35	96105318	Filter, Return	1
36	96106803	Brush Replacement Kit.....	2
37	96111171	Coil, 10V DC (Blue Coil).....	3

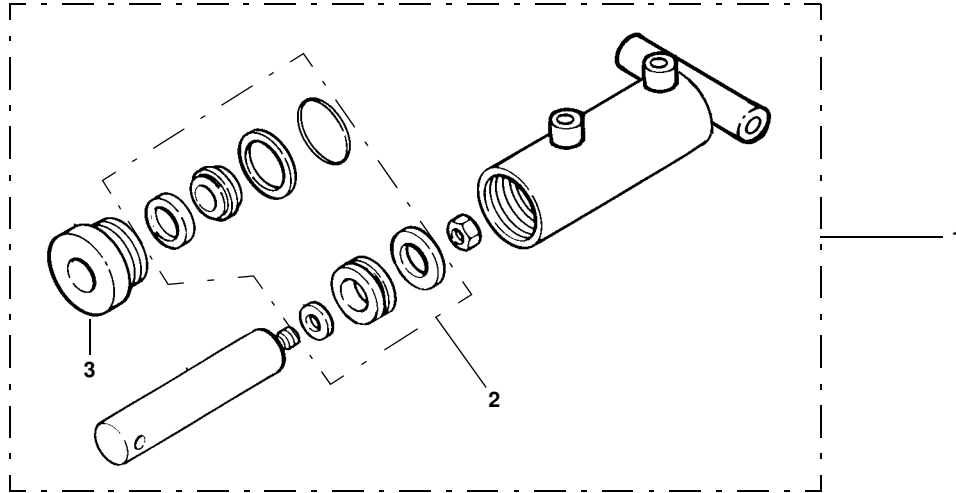
NOTES

LIFT CYLINDER GRAVITY DOWN SYSTEM



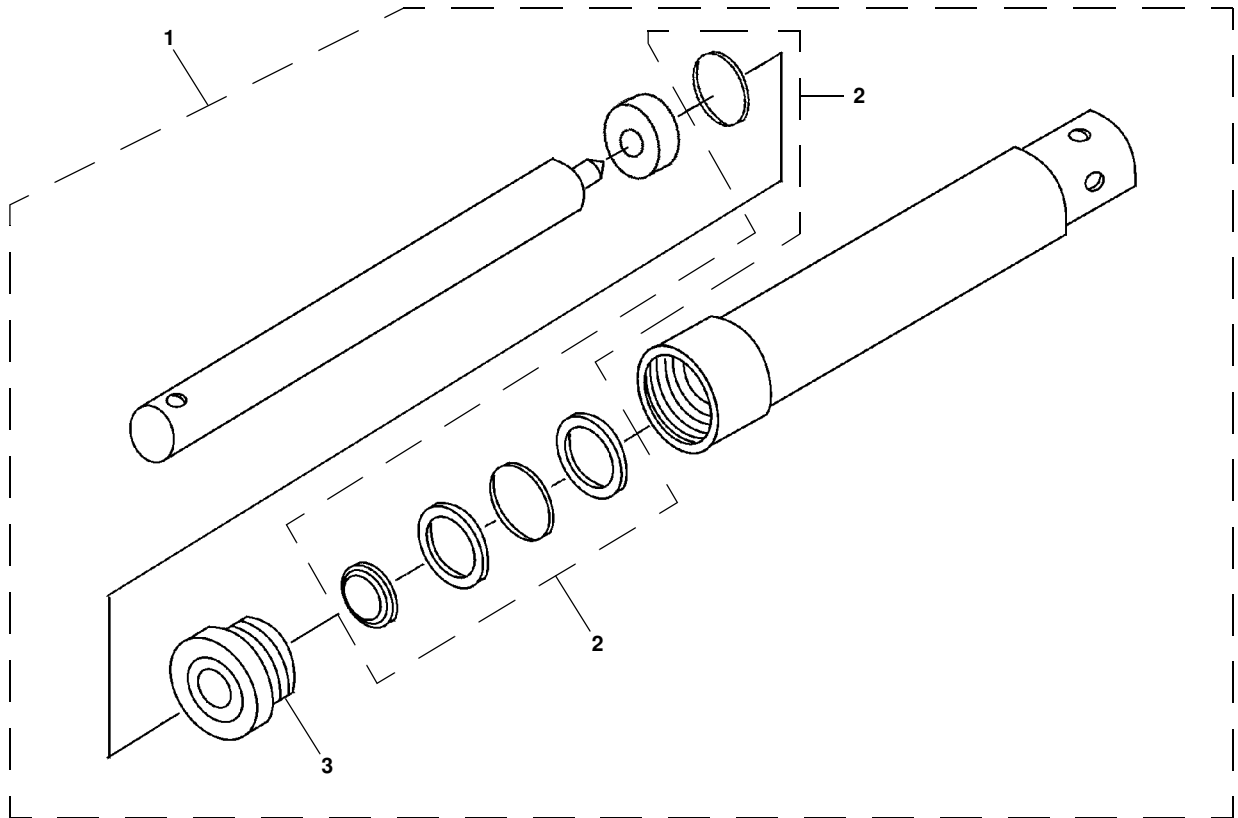
ITEM	PART NO.	DESCRIPTION	QTY
1	96106893	Cylinder, Lift, 2" (Single Action)	1
2	96107806	Kit, Lift Cylinder Seal	1
		O-Ring	1
		Seal, Rod	1
		Ring, Guide	1
		Seal, Wiper	1
3	96107807	Gland Nut.....	1

LIFT CYLINDER DOWN PRESSURE SYSTEM



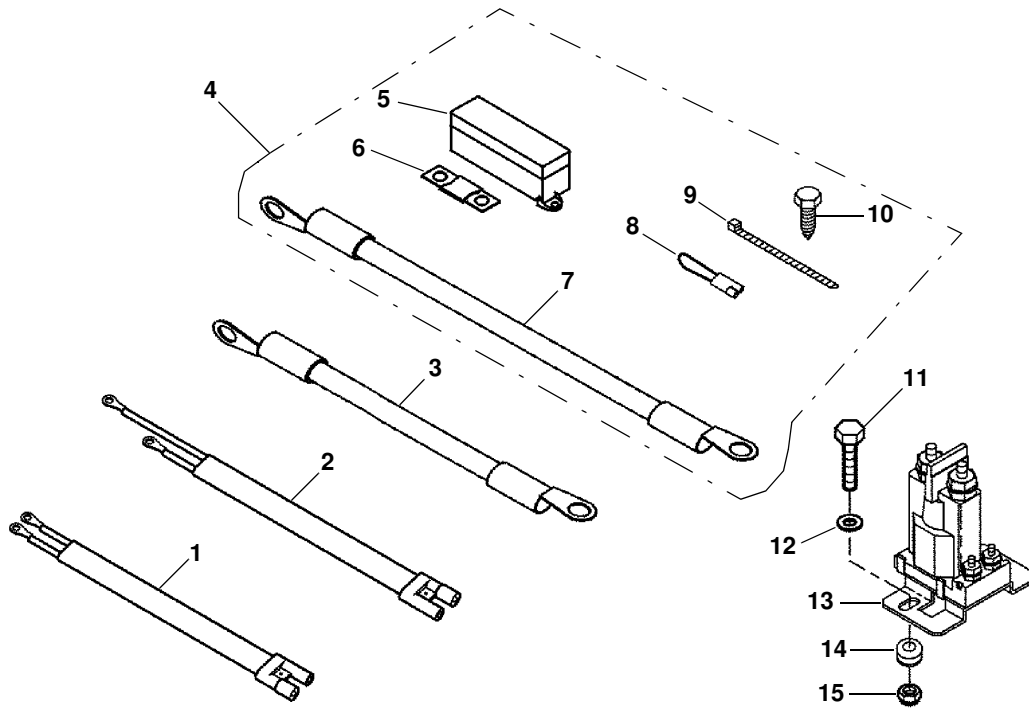
ITEM	PART NO.	DESCRIPTION	QTY
1	96106894	Cylinder, Lift, 2-1/2" (Double Action)	1
2	96107808	Kit, Seal, For 2-1/2" Cylinder	1
3	96107809	Nut, Gland, For 2-1/2" Cylinder.....	1

ANGLE CYLINDERS



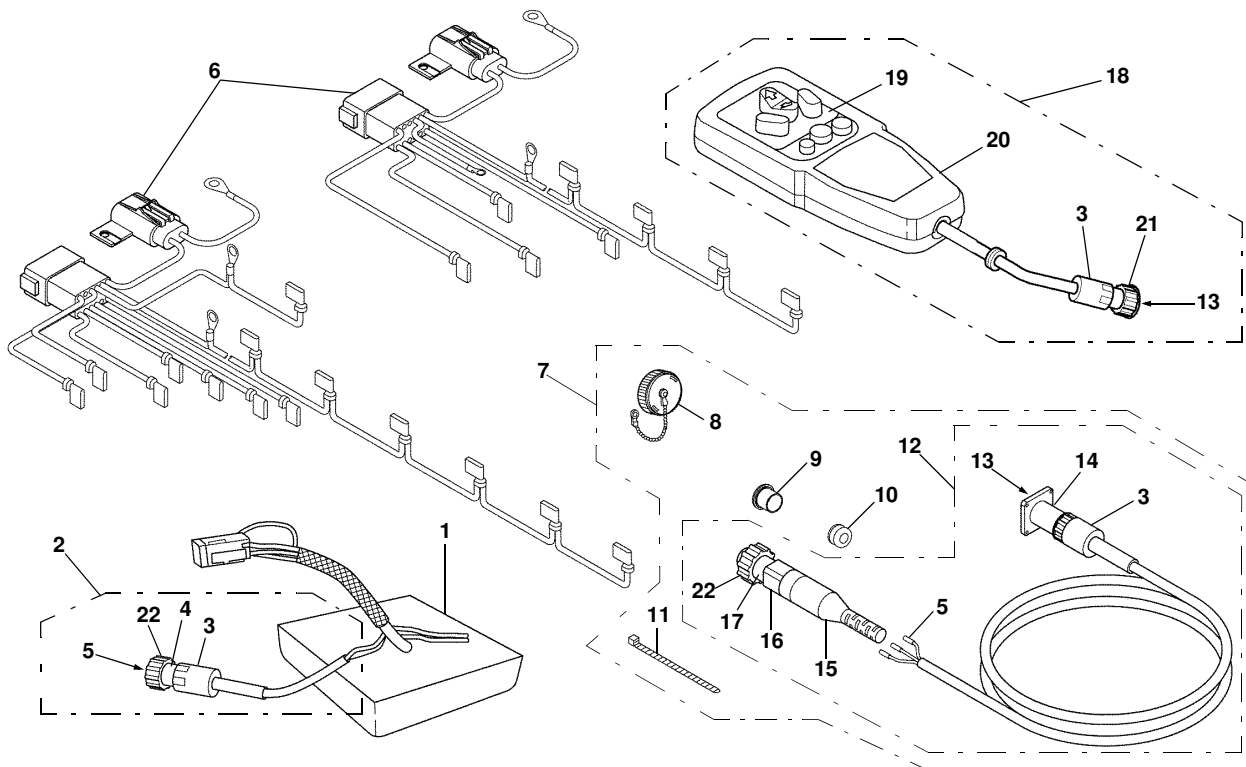
ITEM	PART NO.	DESCRIPTION	QTY
1	96110951	Cylinder, Swing, 1" (future use will replace 96106895)	2
2	96107810	Kit, Seal, 22 Swing Cylinder (for current cylinder)	1
		O-ring.....	1
		Seal, Rod.....	1
		Ring, Guide, 1"	2
		Seal, Wiper	1
2	96111172	Kit, Seal, 22 Swing Cylinder (for future use with 96110951)	1
		O-ring.....	2
		Seal, Rod.....	1
		Seal, Wiper	1
		Ring, Guide.....	1
3	96107811	Nut, Gland, 22 Swing Cylinder (for current cylinder)	1
3	96111173	Nut, Gland, 22 Swing Cylinder (for future use with 96110951).....	1

POWER PACK WIRING



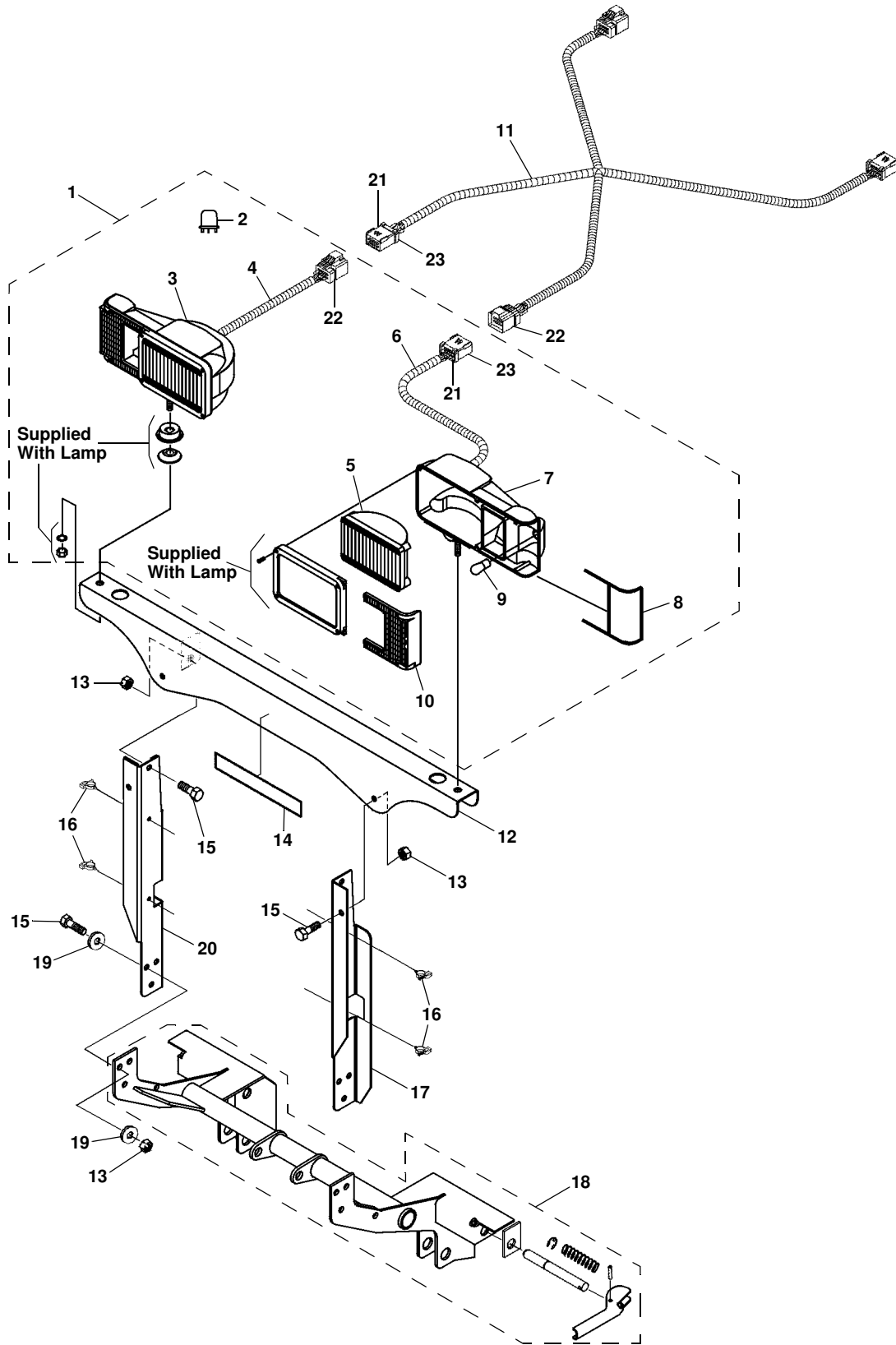
ITEM	PART NO.	DESCRIPTION	QTY
1	96104221	Harness, Battery Power	1
2	96104230	Harness, Plow Power.....	1
3	96105273	Harness, Solenoid - HT Series	1
4	96105167	Bag Power Harness Parts.....	1
5	96109143	Fuse Holder	1
6	96109142	Fuse, 250 Amp	1
7	96102891	Cable, Power.....	2
8	96105082	Cap, Protective	2
9	96001227	Strap, Tie Plastic.....	2
10	98100037	Screw, Self Tapping, #10-16 x 1"	4
11	98100391	Capscrew, Hex, 1/4"-20 x 7/8"	2
12	98100254	Washer, Flat, 1/4"	2
13	96002086	Switch, Solenoid	1
14	96105282	Grommet, 3/8" ID	2
15	98100255	Nut, Hex Head Nylock, 1/4"-20	2

CONTROL SYSTEM WIRING



ITEM	PART NO.	DESCRIPTION	QTY
1	96105084	Module, Wired Control.....	1
	96107734	Module, Wireless Control	1
2	96105487	Harness Repair Kit	1
3	96105709	Clamp, Cable.....	3
4	96105418	Connector, Plug.....	1
5	96105370	Contact, Signal Socket	6
6	96105131	Harness, Solenoids - Gravity Down.....	1
	96108247	Harness, Solenoids - Down Pressure.....	1
7	96105081	Bag, Harness Controls	1
8	96105300	Cap, Screw-On	1
9	96105284	Cap, 1/2".....	1
10	96104893	Grommet, 5/16" ID.....	1
11	96001227	Strap, Plastic Tie.....	5
12	96105101	Harness, Vehicle.....	1
13	96105416	Contact, Signal Pin	6
14	96105710	Connector, Receptacle, Flanged	1
15	96105419	Boot, Cable.....	1
16	96105420	Grip, Cable.....	1
17	96105708	Connector, Plug, Unsealed.....	1
18	96107354	Controller Assembly, Wired	1
	96107355	Controller Assembly, Wireless	1
19	96107356	Touch Pad, Straight Blade	1
20	96105299	Housing, Controller, Complete.....	1
21	96105417	Connector, Receptacle	1
22	96106533	Coupling Ring	2
23	96107382	Controller, Joystick, Str, Wired (not shown).....	1
	96106472	Controller, Joystick, Str, Wireless (not shown).....	1
24	96105325	Insertion Tool for Circular Connectors (not shown)	1
25	96105404	Extraction Tool for Circular Connectors (not shown)	1
26	96105877	Kit, Connector Repair (not shown) (includes: (3) #3, (1) #4, (6) #5, (6) #13, (1) #14, (1) #15, (1) #16, (1) #17, (1) #21, (1) #24, (1) #25.....	1

AUXILIARY LIGHTS



AUXILIARY LIGHTS

ITEM	PART NO.	DESCRIPTION	QTY
1	96107893	Kit, Lamp, EIS	1
2	96003010	Flasher	1
3	96107984	Light, Assembly, RH, EIS	1
4	96107986	Harness, Plow Light, RH, EIS	1
5	96100514	Lamp, Sealed Beam	2
6	96107985	Harness, Plow Light, LH, EIS	1
7	96107983	Light, Assembly, LH, EIS	1
8	96106693	Gasket, Turn Signal	2
9	96003060	Lamp, Park & Turn	2
10	96106692	Lens, Turn Signal	2
11	96107894	Harness, Wiring, Main Light, EIS*	1
12	96108030	Assy., Light Bar	1
13	98009009	Nut, Hex., Nylock, 3/8"-16	10
14	97100882	Decal, Sno-Way	1
15	98009022	Capscrew, Hex., 3/8"-16 x 1"	10
16	96100440	Clip, Rosebud	4
17	96106988	Support, LH, 29 Series	1
18	96107550	Assembly, Light/Lift Bar, Quick-Attach	1
19	98009032	Washer, Flat, 3/8"	6
20	96106989	Support, RH, 29 Series	1
21	96108116	Connector, Male	2
22	96108117	Connector, Female	2
23	96108600	Clip, Secondary Lock	2

* NOTE: Adapter required. See Application Guide

NUMERICAL INDEX

PART NO.	PAGE	ITEM	PART NO.	PAGE	ITEM	PART NO.	PAGE	ITEM
96001191	6	12		12	6		12	36
96001227	17	9	96105275	10	3	96106884	4	24
	18	11		12	3	96106885	4	18
96002086	17	13	96105278	4	29	96106889	5	65
96003010	20	2	96105282	17	14	96106893	4	27
96003060	20	9	96105284	18	9		14	1
96100001	7	3	96105299	18	20	96106894	4	27
	8	3	96105300	18	8		15	1
96100440	20	16	96105313	10	20	96106903	5	66
96100514	20	5		12	22	96106958	4	16
96101257	6	17	96105314	10	19	96106986	4	46
96101891	4	38		12	23	96106987	4	32
96101976	12	18	96105315	10	21	96106988	20	17
96102781	5	64		12	24	96106989	20	20
96102891	17	7	96105316	10	22	96107128	4	9
96104221	17	1		12	25	96107130	4	11
96104230	17	2	96105317	10	18	96107354	18	18
96104893	18	10		12	26	96107355	18	18
96105081	18	7	96105318	10	31	96107356	18	19
96105082	17	8		12	35	96107382	18	23
96105084	18	1	96105325	18	24	96107463	6	19
96105101	18	12	96105370	18	5	96107512	4	53
96105131	18	6	96105404	18	25	96107514	7	1
96105167	17	4	96105416	18	13	96107515	8	1
96105231	10	30	96105417	18	21	96107532	4	39
	12	33	96105418	18	4	96107550	4	5
96105232	10	17	96105419	18	15		20	18
	12	21	96105420	18	16	96107710	5	55
96105234	10	10	96105422	10	11	96107711	4	40
	12	15		12	16	96107734	18	1
96105237	10	9	96105487	18	2	96107769	4	29
	12	9	96105708	18	17	96107793	6	4
96105238	12	10	96105709	18	3	96107794	6	4
96105240	12	14	96105710	18	14	96107795	6	4
96105241	10	28	96105877	18	26	96107796	6	6
	12	31	96106069	7	2	96107797	6	6
96105243	10	14		8	2	96107798	6	6
	12	17	96106070	7	4	96107803	10	23
96105244	10	29		8	4		12	27
	12	32	96106071	7	5	96107806	14	2
96105245	10	27		8	5	96107807	14	3
	12	30	96106073	4	1	96107808	15	2
96105246	10	26	96106273	10	2	96107809	15	3
	12	29		12	2	96107810	16	2
96105249	10	25	96106391	5	60	96107811	16	3
	12	34	96106472	18	23	96107893	20	1
96105250	10	12	96106533	18	22	96107894	20	11
	12	12	96106692	20	10	96107983	20	7
96105251	10	13	96106693	20	8	96107984	20	3
	12	13	96106696	6	1	96107985	20	6
96105253	12	11	96106802	10	15	96107986	20	4
96105273	17	3		12	19	96108011	6	9
96105274	10	6	96106803	10	32	96108012	6	9

NUMERICAL INDEX

PART NO.	PAGE	ITEM	PART NO.	PAGE	ITEM	PART NO.	PAGE	ITEM
96108013	6	9	98009032	4	41			
96108030	20	12		20	19			
96108116	20	21	98009038	4	17			
96108117	20	22	98009061	6	8			
96108247	18	6	98009077	6	11			
96108323	10	6	98009078	5	63			
	12	6	98009085	4	15			
96108324	10	5	98009114	4	34			
	12	5	98009127	6	14			
96108325	10	8	98009150	7	7			
	12	8		8	7			
96108338	5	59	98009169	6	15			
96108341	10	4	98009197	4	28			
	12	4	98019176	5	68			
96108342	10	7	98019230	5	69			
	12	7	98100010	4	25			
96108600	20	23	98100037	17	10			
96108627	10	11	98100172	4	19			
	12	16	98100176	4	22			
96108875	4	7	98100251	4	33			
96108877	5	56	98100254	4	37			
96109014	4	5		17	12			
96109142	17	6	98100255	4	50			
96109143	17	5		17	15			
96109928	4	16	98100264	7	6			
96110393	4	23		8	6			
96110515	4	8	98100266	5	67			
96110951	4	52	98100312	4	10			
	16	1	98100313	4	12			
96111171	10	33	98100320	5	62			
	12	37	98100322	4	47			
96111172	16	2	98100323	5	71			
96111173	16	3	98100324	4	54			
97100001	4	51	98100326	4	14			
97100005	4	35	98100340	5	57			
97100018	6	3	98100341	4	26			
97100400	4	6	98100391	17	11			
97100750	4	2	99100490	6	16			
97100752	4	2	99100788	6	18			
97100876	4	48	99100953	5	72			
97100882	20	14						
97100912	6	5						
97100986	4	3						
97101087	4	4						
98009008	6	10						
98009009	4	49						
	6	7						
	20	13						
98009013	4	20						
98009022	5	70						
	20	15						
98009027	4	36						
98009030	5	61						

SNO-WAY[®] INTERNATIONAL, INC.



Hartford, WI 53027 USA
Website: www.snoway.com
©2007 Sno-Way[®] International