

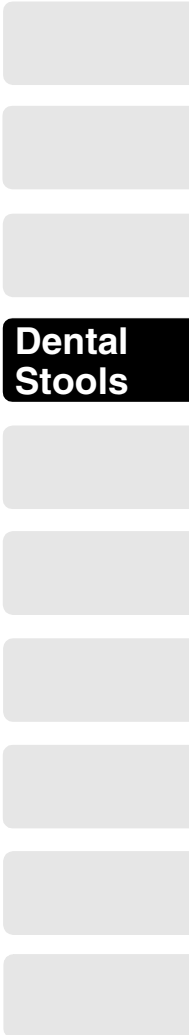
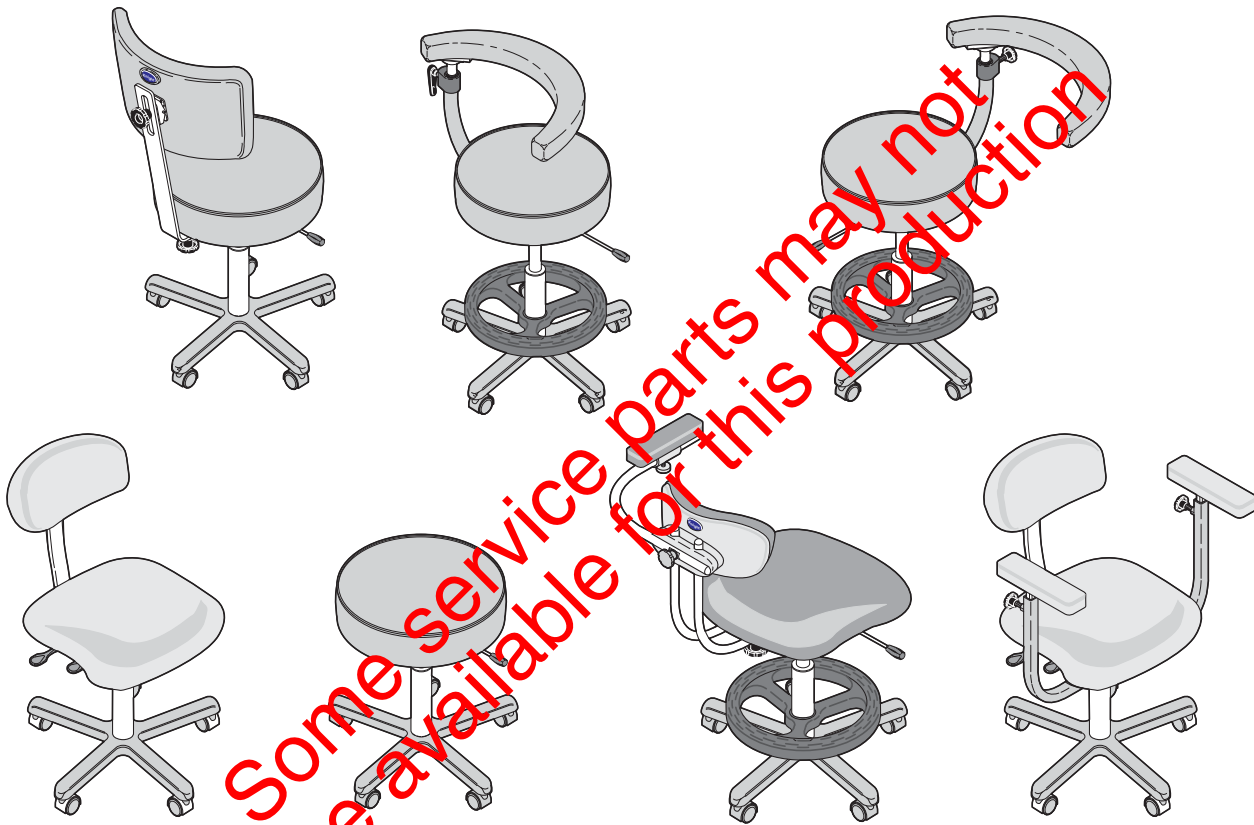
Stools

Knight[®]
by MIDMARK

Dental Stools

Service and Parts Manual

Serial Number Prefixes:
SK, SL & V



**Dental
Stools**

FOR USE BY MIDMARK
TRAINED TECHNICIANS ONLY

SF-1619

Part No. 004-0275-00 Rev. I (9/16/14)

TABLE OF CONTENTS

| Section/Paragraph.....Page | Section/Paragraph Page |
|--|---|
| IMPORTANT INSTRUCTIONS | SECTION VI PARTS LIST |
| General Safety Instructionsii | 6.1 Introduction 6-1 |
| Safety Alert Symbolsii | 6.2 Description Of Columns 6-1 |
| Warranty Instructions ii | 6.3 Torque Specifications And Important Assembly Notes 6-1 |
| SECTION I GENERAL INFORMATION | Pictorial Index 6-2 |
| Not Available | 154012(V) Doctor's Economy Stool (Dom.) . 6-3 |
| SECTION II TESTING AND TROUBLESHOOTING | 154013(V) Doctor's Economy Stool (Exp.)... 6-4 |
| Not Available | 154014(V) Ass't's. Economy Stool (Dom.).... 6-5 |
| SECTION III SCHEDULED MAINTENANCE | 154015(V) Ass't's. Economy Stool (Exp.) 6-6 |
| Not Available | 154016(V) Assistant's. Deluxe Stool (Dom.) 6-7 |
| SECTION IV MAINTENANCE/SERVICE | 154017(V) Assistant's. Deluxe Stool (Exp.).. 6-8 |
| INSTRUCTIONS | Abdominal Support Assembly 6-9* |
| Not Available | 154018(V) Deluxe Doctor's Stool (Dom.) ... 6-10 |
| | 154019(V) Deluxe Doctor's Stool (Dom.) ... 6-11 |
| | 154020(V) Doctor's Economy Stool (Dom.) 6-12 |
| | 154031(V) Posture Plus Stool (Dom.) 6-13 |
| | 154037(V) Deluxe Doctor's Stool (Dom.) . 6-14.* |
| | COMMENTS 7-1 |
| | FAX ORDER FORM..... 7-2 |

(*) Indicates that there has been a serial number break for the illustration and that there are additional point page(s) following the original page.

TABLE OF CONTENTS

General Safety Instructions

Safety First: The primary concern of Midmark Corporation is that this stool is maintained with the safety of the patient and staff in mind. To assure that services and repairs are completed safely and correctly, proceed as follows:

- (1) Read this entire manual before performing any services or repairs on this stool.
- (2) Be sure you understand the instructions contained in this manual before attempting to service or repair this stool.

Safety Alert Symbols

Throughout this manual are safety alert symbols that call attention to particular procedures. These items are used as follows:



DANGER

A **DANGER** is used for an imminently hazardous operating procedure, practice, or condition which, if not correctly followed, will result in loss of life or serious personal injury.



WARNING

A **WARNING** is used for a potentially hazardous operating procedure, practice, or condition which, if not correctly followed, could result in loss of life or serious personal injury.



CAUTION

A **CAUTION** is used for a potentially hazardous operating procedure, practice, or condition which, if not correctly followed, could result in minor or moderate injury. It may also be used to alert against unsafe practices.



EQUIPMENT ALERT

An **EQUIPMENT ALERT** is used for an imminently or potentially hazardous operating procedure, practice, or condition which, if not correctly followed, will or could result in serious, moderate, or minor damage to unit.

NOTE

A **NOTE** is used to amplify an operating procedure, practice or condition.

Warranty Instructions

Refer to the Midmark "Limited Warranty" for warranty information. Failure to follow the guidelines listed below will void the warranty and/or render the dental stool unsafe for operation.

- In the event of a malfunction, do not attempt to use the stool until necessary repairs have been made.
- Do not attempt to disassemble stool, replace malfunctioning or damaged components, or perform adjustments unless you are one of Midmark's authorized service technicians.
- Do not substitute parts of another manufacturer when replacing inoperative or damaged components. Use only Midmark replacement parts.

**SECTION VI
PARTS LIST****6.1 Introduction**

The illustrated parts list provides information for identifying and ordering the parts necessary to maintain the stool in peak operating condition. Refer to paragraph 1.5 for parts ordering information.

6.2 Description of Columns

The Item column of the parts list gives a component its own unique number. The same number is given to the component in the parts illustration. This allows a part number of a component to be found if the technician can visually spot the part on the illustration. The technician simply finds the component in question on the illustration and notes the item number of that component. Then, he finds that item number in the parts list. The row corresponding to the item number gives the technician the part number, a description of the component, and quantity of parts per subassembly. Also, if a part number is known, the location of that component can be determined by looking for the item number of the component on the illustration.

The Part No. column lists the MIDMARK part number for that component.

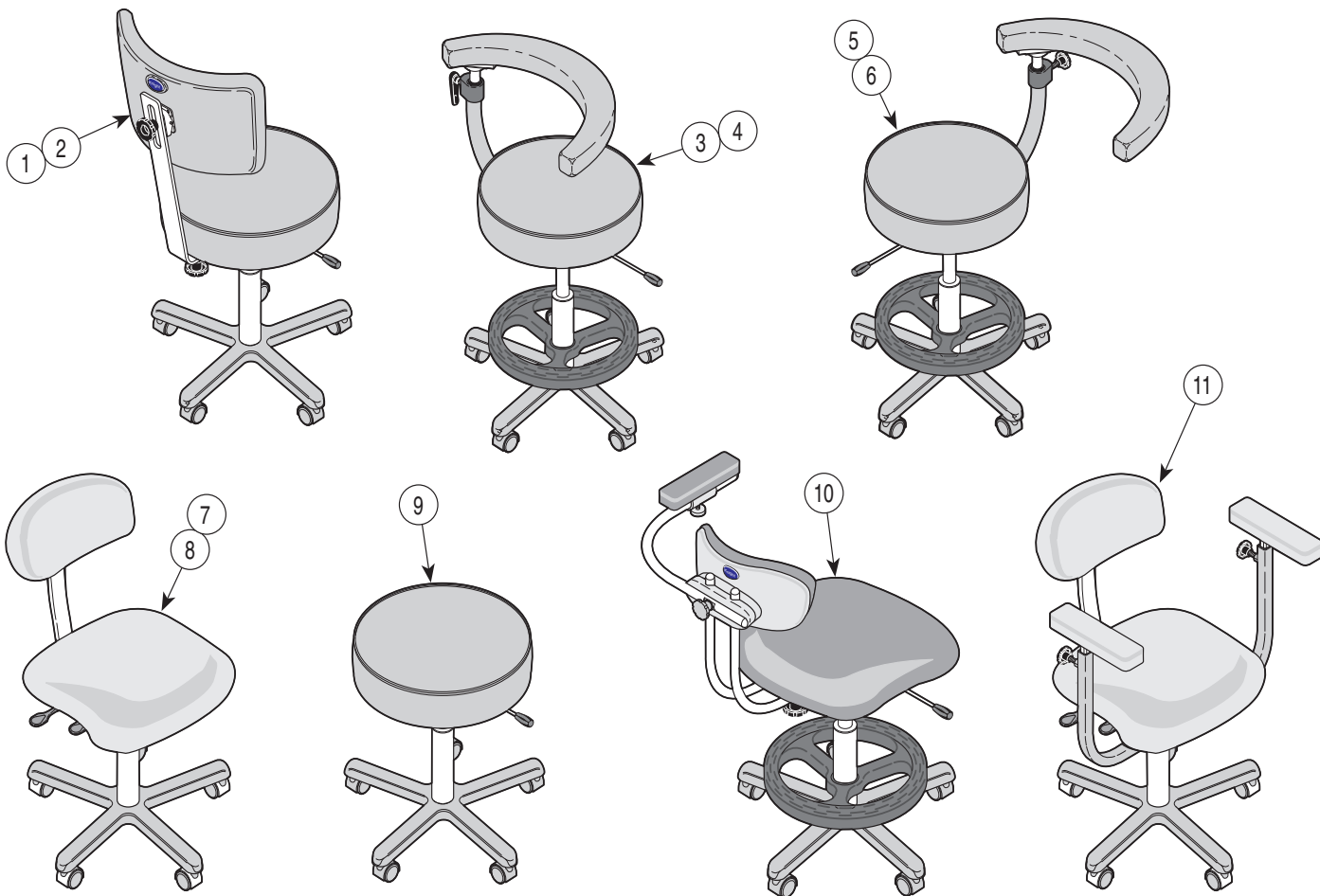
The Description column provides a physical description of the component.

The Qty. column lists the number of units of a particular component that is required for the subassembly. The letters "AR" denote "as required" when quantities of a particular component cannot be determined, such as: adhesive.

Bullets { • } in the Part No. column and the Description column show the indenture level of a component. If a component does not have a bullet, it is a main component of that illustration. If a component has a bullet, it is a subcomponent of the next component listed higher in the parts list than itself that does not have a bullet. Likewise, if a component has two bullets, it is a subcomponent of the next component listed higher in the parts list than itself that has only one bullet.

6.3 Torque Specifications and Important Assembly Notes

When specific assembly torque specifications, measurements, or procedures have been identified, by our engineering department, as required to assure proper function of the stool, those torque specifications measurements, and procedures will be noted on the parts illustrations. Adherence to these requirements is essential.



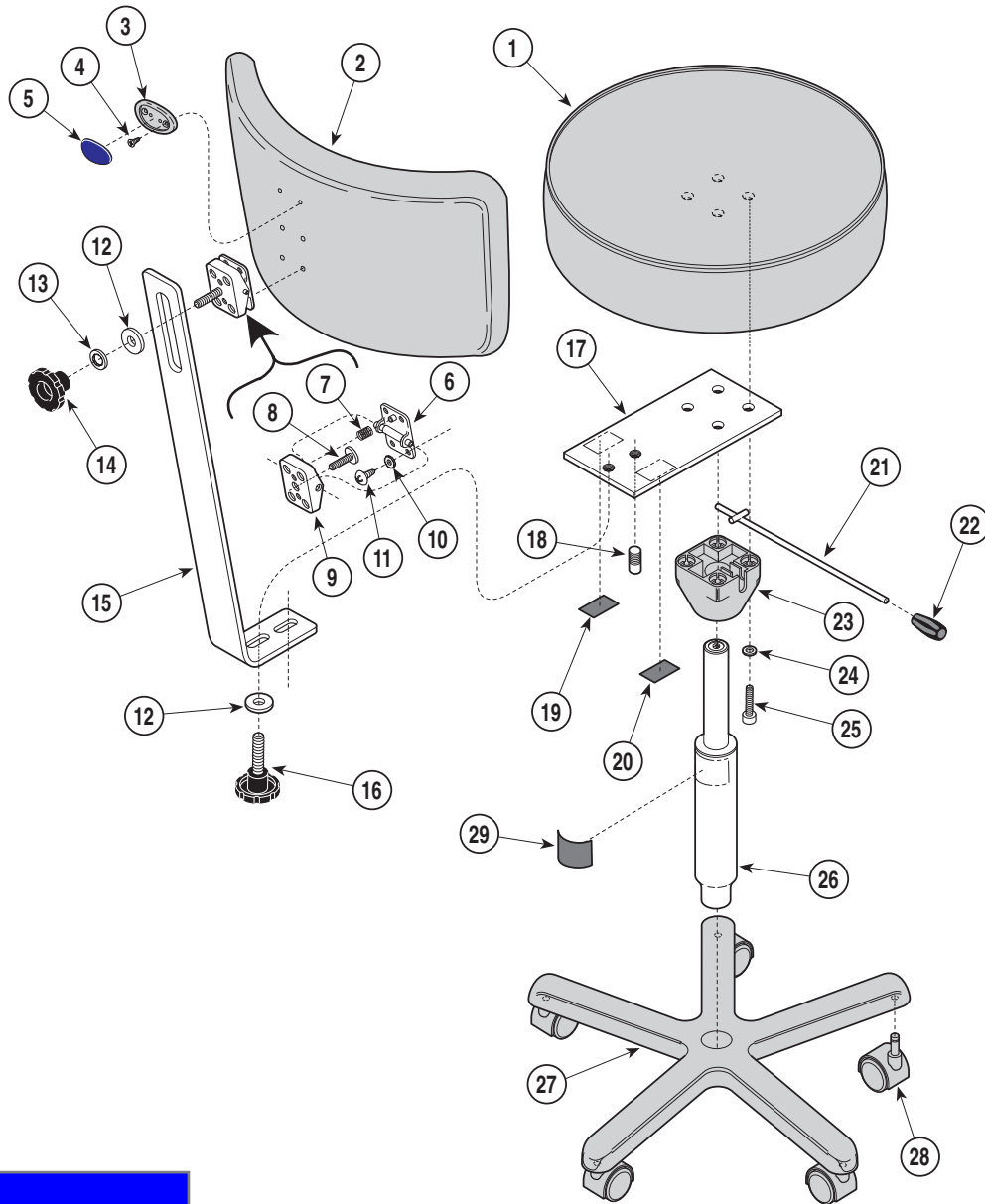
KA923900i

| Item | Part No. | Description | Page | Item | Part No. | Description | Page |
|------|------------|--|------|------|------------|--|------|
| 1 | 154012-xxx | Doctor's Economy Stool - Domestic (*Specify Color) | 6-3 | • | | • Bellyboard Arm Assembly (Referred to as "Abdominal Support Assembly" ... | 6-9 |
| 2 | 154013-xxx | Doctor's Economy Stool - Export (*Specify Color) | 6-4 | 7 | 154018-xxx | Deluxe Doctor's Stool - Domestic (*Specify Color) | 6-10 |
| 3 | 154014-xxx | Assistant's Economy Stool - Domestic (*Specify Color) | 6-5 | 8 | 154019-xxx | Deluxe Doctor's Stool - Export (*Specify Color) | 6-11 |
| 4 | 154015-xxx | Assistant's Economy Stool - Export (*Specify Color) | 6-6 | 9 | 154020-xxx | Doctor's Economy Stool - Domestic (*Specify Color) | 6-12 |
| 5 | 154016-xxx | Assistant's Deluxe Stool - Domestic (*Specify Color) | 6-7 | 10 | 154031-xxx | Posture Plus Stool - Domestic (*Specify Color) | 6-13 |
| 6 | 154017-xxx | Assistant's Deluxe Stool - Export (*Specify Color) | 6-8 | 11 | 154037-xxx | Deluxe Doctor's Stool With Arm - Domestic (*Specify Color)] | 6-14 |

Always Specify Model & Serial Number

Doctor's Economy Stool - Domestic 154012(V)

SECTION VI PARTS LIST



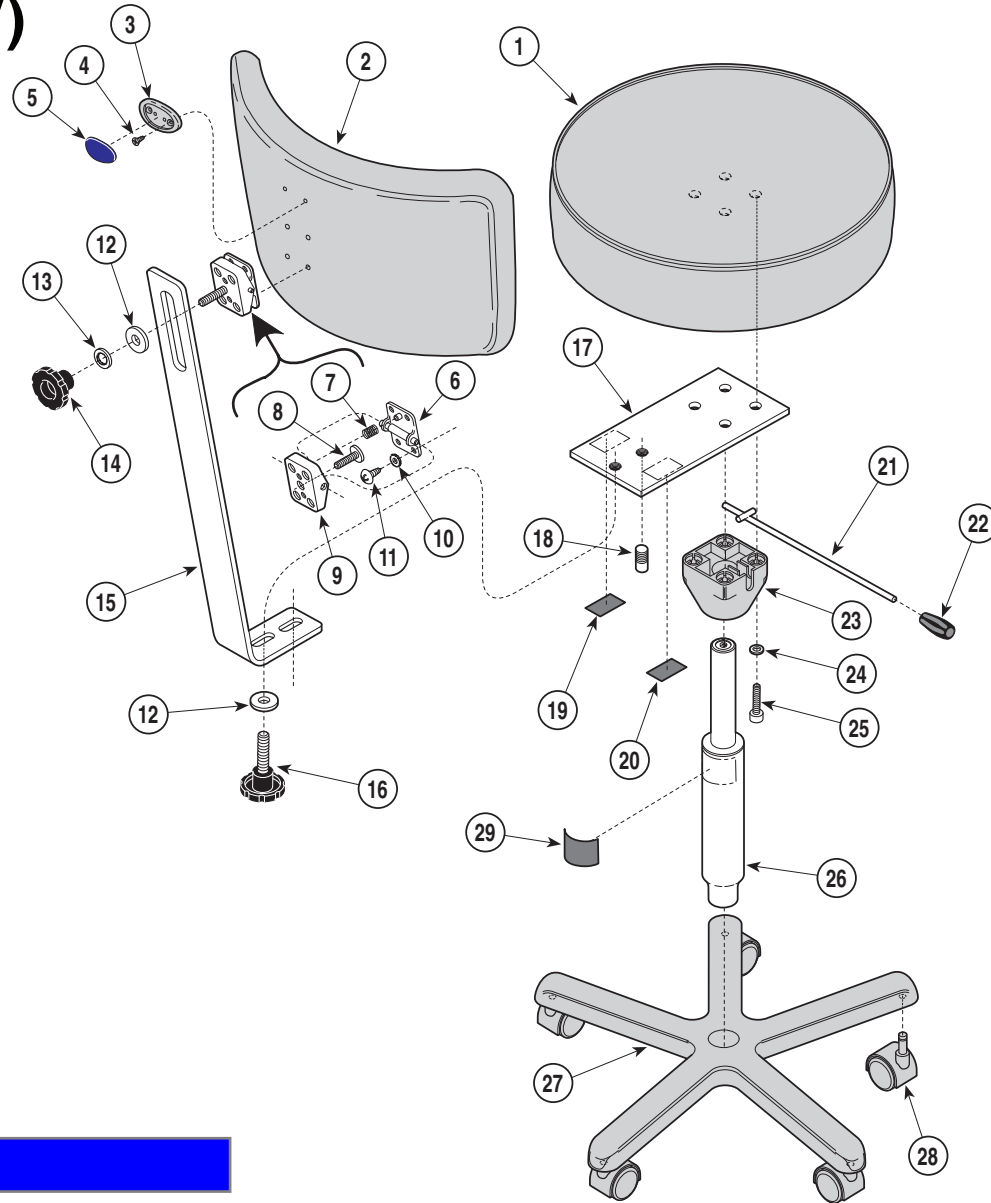
KA923301

| Item | Part No. | Description | Qty. | Item | Part No. | Description | Qty. |
|------|-------------------------|--|------|------|---------------------|--|------|
| | 154012-xxx | Doctor's Economy Stool - Domestic (Incl Items 1 thru 28 [*Specify Color]) | 1 | 15 | • 117695 | • Back Support | 1 |
| 1 | • 151118-xxx | • Seat Cushion Assm. (*Specify Color) .. | 1 | 16 | • 119211 | • Knob..... | 1 |
| 2 | • 151706-xxx | • Back Cushion Assembly (Incl items 3 thru 5 [*Specify Color]) | 1 | 17 | • 151115 | • Seat Mounting Plate..... | 1 |
| 3 | •• 122195-1 | •• Logo Plate (Older units only) | 1 | 18 | • 119198 | • Anti-Rotation Stud..... | 1 |
| 4 | •• 122205 | •• Screw (Older units only)..... | 2 | 19 | • TP1161 | • Nameplate..... | 1 |
| 5 | •• 121527 | •• Small Logo (Older units only)..... | 1 | 20 | • | • Serial Number Label | 1 |
| 6 | • 117884 | • Mounting Plate..... | 1 | 21 | • 120852 | • Lever | 1 |
| 7 | • 117887 | • Spring | 1 | 22 | • 120853 | • Knob..... | 1 |
| 8 | • 117886 | • Bolt | 1 | 23 | • 151792 | • Cylinder Mount..... | 1 |
| 9 | • 117885 | • Hinge Plate | 1 | 24 | • 119238 | • Lockwasher | 4 |
| 10 | • C2564 | • Lockwasher..... | 4 | 25 | • 119210 | • Screw | 4 |
| 11 | • 120313 | • Screw | 4 | 26 | • 120289 | • Cylinder..... | 1 |
| 12 | • 119233 | • Washer | 2 | 27 | • 002-1257-00 | • Five Legged Base Kit..... | 1 |
| 13 | • 109035 | • Lockwasher..... | 1 | 28 | • 016-0683-00 | • Plastic Caster | 5 |
| 14 | • 119232 | • Handwheel..... | 1 | | 153263 | Complete Caster Set (Incl. 5 casters).... | 1 |
| | | | | 29 | • 061-0770-00 | • Knight By Midmark Label (Used on newer units only) | 1 |

Always Specify Model & Serial Number

Doctor's Economy Stool - Export 154013(V)

SECTION VI PARTS LIST



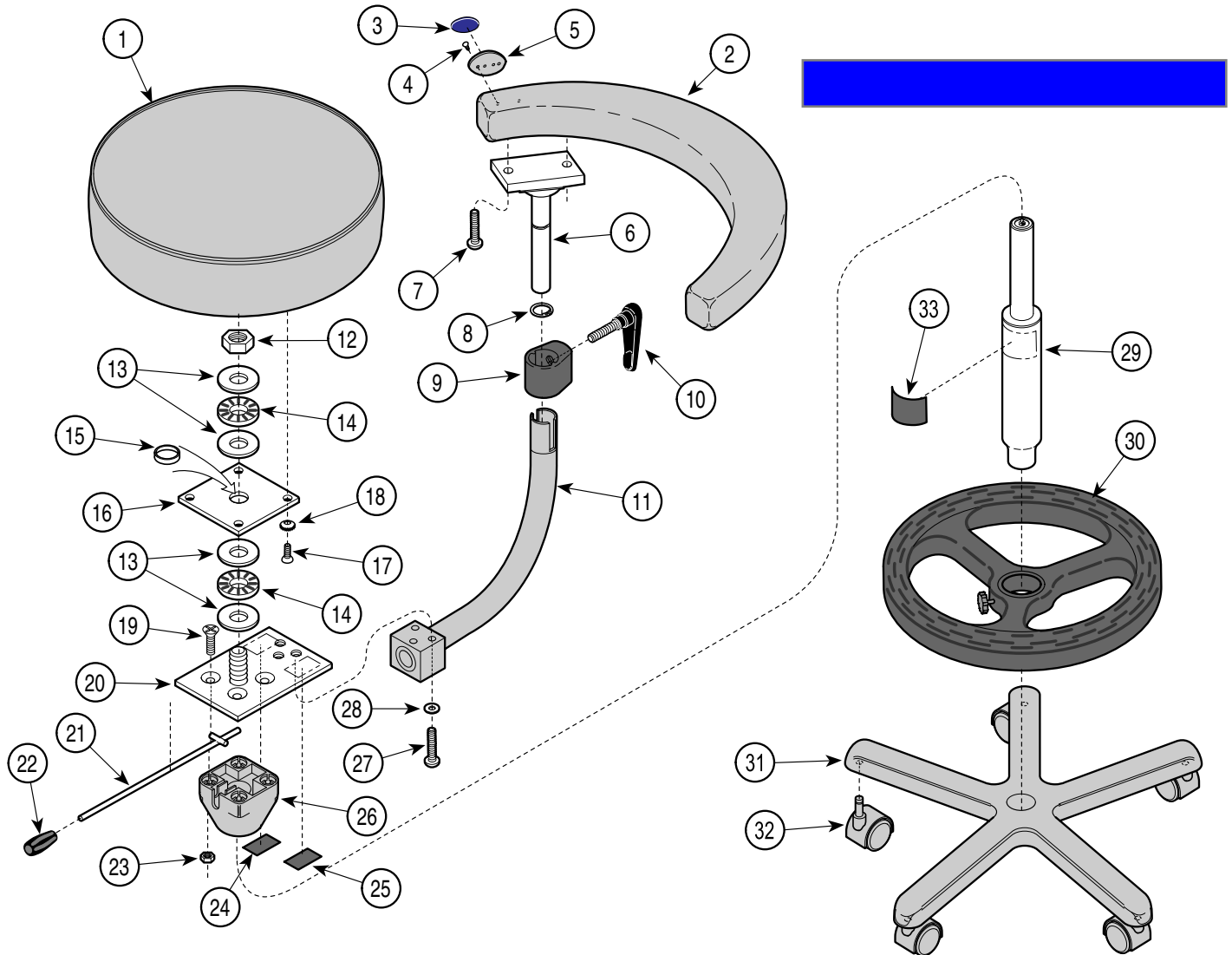
KA923301

| Item | Part No. | Description | Qty. | Item | Part No. | Description | Qty. |
|------|---------------------------|---|------|------|---------------------|--|------|
| | 154013(-xxx) | Doctor's Economy Stool - Export (Incl Items 1 thru 28 [*Specify Color]) .. 1 | | 15 | • 117695 | • Back Support | 1 |
| 1 | • 151118 (*)** | • Seat Cushion Assm. (Specify Color - Refer to Page 6-2) | 1 | 16 | • 119211 | • Knob | 1 |
| 2 | • 151706 (*)** | • Back Cushion Assembly (Includes Items 3 thru 5 [*Specify Color]) | 1 | 17 | • 151115 | • Seat Mounting Plate | 1 |
| 3 | •• 122195-1 | •• Logo Plate (Older units only) | 1 | 18 | • 119198 | • Anti-Rotation Stud..... | 1 |
| 4 | •• 122205 | •• Screw (Older units only) | 2 | 19 | • TP1161 | • Nameplate | 1 |
| 5 | • 121527 | • Small Logo (Older units only) | 1 | 20 | • | • Serial Number Label..... | 1 |
| 6 | • 117884 | • Mounting Plate | 1 | 21 | • 120852 | • Lever | 1 |
| 7 | • 117887 | • Spring | 1 | 22 | • 120853 | • Knob | 1 |
| 8 | • 117886 | • Bolt | 1 | 23 | • 151792 | • Cylinder Mount..... | 1 |
| 9 | • 117885 | • Hinge Plate..... | 1 | 24 | • 119238 | • Lockwasher..... | 4 |
| 10 | • C2564 | • Lockwasher | 4 | 25 | • 119210 | • Screw | 4 |
| 11 | • 120313 | • Screw | 4 | 26 | • 120289 | • Cylinder..... | 1 |
| 12 | • 119233 | • Washer..... | 2 | 27 | • 002-1257-00 | • Five Legged Base Kit..... | 1 |
| 13 | • 109035 | • Lockwasher | 1 | 28 | • 016-0683-00 | • Plastic Caster..... | 5 |
| 14 | • 119232 | • Handwheel | 1 | | 153263 | Complete Caster Set (Incl. 5 casters) ... | 1 |
| | | | | 29 | • 061-0770-00 | • Knight By Midmark Label (Used on newer units only)..... | 1 |

Always Specify Model & Serial Number

Assistant's Economy Stool - Domestic 154014(V)

SECTION VI PARTS LIST



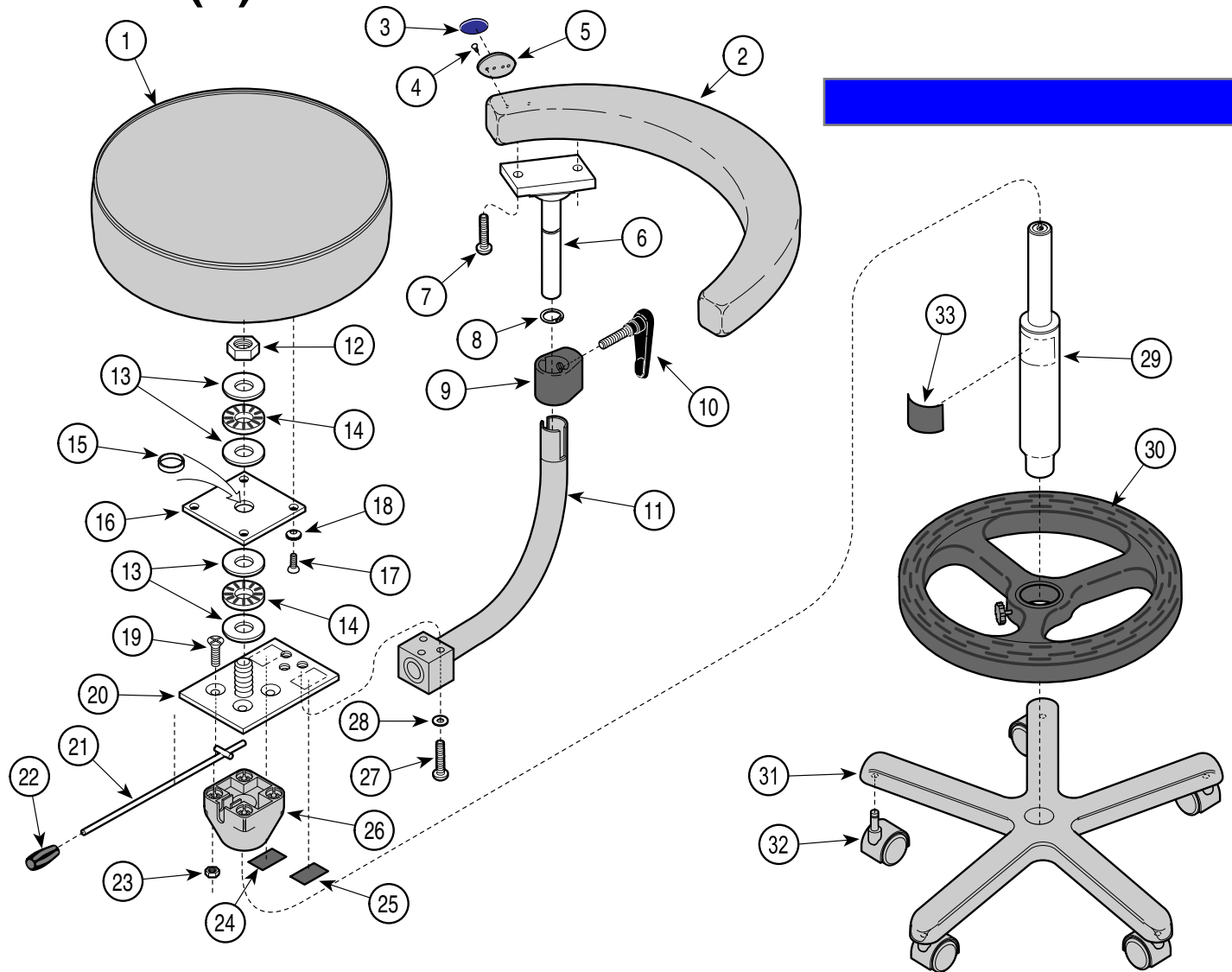
KA923603i

| Item | Part No. | Description | Qty. | Item | Part No. | Description | Qty. |
|------|---------------|--|------|------|---------------|---|------|
| | 154014-xxx | Assistant's Economy Stool - Domestic (Incl Items 1 thru 32 [*Specify Color] .. 1 | | 17 | C2240 | Screw | 4 |
| 1 | • 149714(*)** | • Seat Cushion Assm (*Specify Color) .. 1 | | 18 | C2564 | • Lockwasher..... | 4 |
| 2 | • 150251(*)** | • Bellyboard Cushion Assembly (Includes Items 3 thru 5 [*Specify Color]) | 1 | 19 | • 112659 | • Screw | 4 |
| 3 | •• 121527 | •• Small Logo (Older units only) | 1 | 20 | • 151149 | • Bodyrest Plate Assembly | 1 |
| 4 | •• 122205 | •• Screw (Older units only) | 2 | 21 | • 120407 | • Lever | 1 |
| 5 | •• 122195-1 | •• Logo Plate (Older units only) | 1 | 22 | • 120853 | • Knob | 1 |
| 6 | • 150252-2 | • Pivot Bar | 1 | 23 | • 119253 | • Nylon Nut | 4 |
| 7 | • 040-0375-78 | • Screw | 2 | 24 | • | • Serial Number Label | 1 |
| 8 | • 110065 | • Retaining Ring..... | 1 | 25 | • TP1161 | • Nameplate | 1 |
| 9 | • 120290-1 | • Locking Clamp | 1 | 26 | • 151792 | • Cylinder Mount..... | 1 |
| 10 | • 120291-6 | • Ratchet Handle | 1 | 27 | • 110064 | • Screw | 3 |
| 11 | • 151797 | • Arm Support Weldment..... | 1 | 28 | • C151 | • Washer | 3 |
| 12 | • 117964 | • Locknut..... | 1 | 29 | • 120269 | • Cylinder..... | 1 |
| 13 | • 109457 | • Thrust Bearing Race | 4 | 30 | • 122835 | • Footring Assembly | 1 |
| 14 | • 155436 | • Bearing..... | 2 | 31 | • 002-1257-00 | • Five Legged Base Kit..... | 1 |
| 15 | • 015-1663-00 | • Plastic Spacer | 1 | 32 | • 016-0683-00 | • Plastic Caster..... | 5 |
| 16 | • 051-1032-50 | • Support Plate | 1 | | 153263 | Complete Caster Set (Incl. 5 casters) ... | 1 |
| | | | | 33 | • 061-0770-00 | • Knight By Midmark Label (Used on newer units only)..... | 1 |

Always Specify Model & Serial Number

Assistant's Economy Stool - Export 154015(V)

SECTION VI PARTS LIST



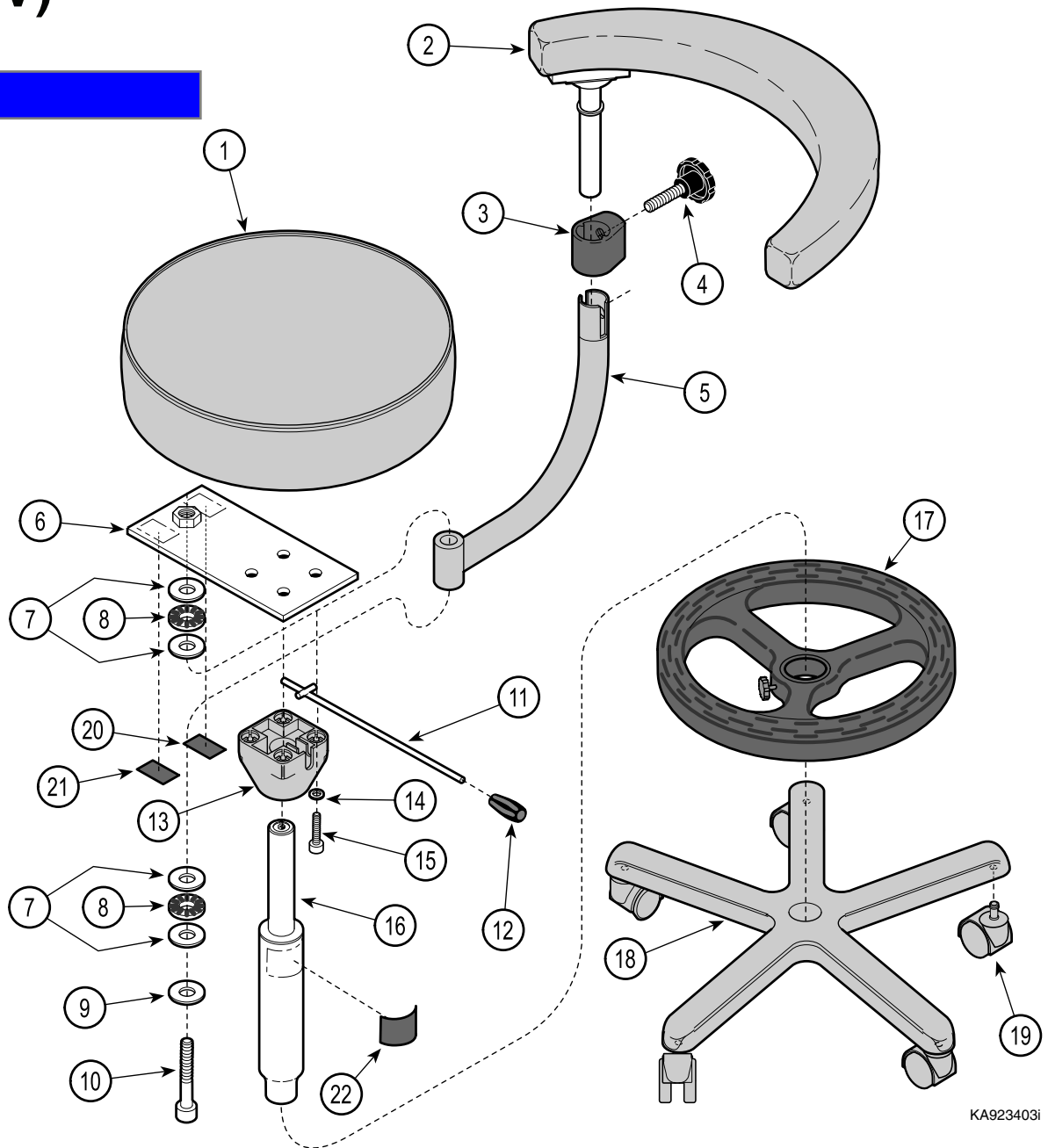
KA923603i

| Item | Part No. | Description | Qty. | Item | Part No. | Description | Qty. |
|------|-----------------------|---|------|------|-------------|---|------|
| | 154015-xxx | Assistant's Economy Stool - Export (Incl Items 1 thru 32 [*Specify Color]) | 1 | 17 | C2240 | Screw | 4 |
| 1 | 149714-xxx | Seat Cushion Assm. (*Specify Color) | 1 | 18 | C2564 | Lockwasher | 4 |
| 2 | 150251-xxx | Bellyboard Cushion Assm (Incl Items 3 thru 5 [*Specify Color]) | 1 | 19 | 112659 | Screw | 4 |
| 3 | 121527 | Small Logo (Older units only) | 1 | 20 | 151149 | Bodyrest Plate Assembly | 1 |
| 4 | 122205 | Screw (Older units only) | 2 | 21 | 120407 | Lever | 1 |
| 5 | 122195-1 | Logo Plate (Older units only) | 1 | 22 | 120853 | Knob | 1 |
| 6 | 150252-2 | Pivot Bar | 1 | 23 | 119253 | Nylon Nut | 4 |
| 7 | 040-0375-78 | Screw | 2 | 24 | | Serial Number Label | 1 |
| 8 | 110065 | Retaining Ring | 1 | 25 | TP1161 | Nameplate | 1 |
| 9 | 120290-1 | Locking Clamp | 1 | 26 | 151792 | Cylinder Mount | 1 |
| 10 | 120291-6 | Ratchet Handle | 1 | 27 | 110064 | Screw | 3 |
| 11 | 151797 | Arm Support Weldment | 1 | 28 | C151 | Washer | 3 |
| 12 | 117964 | Locknut | 1 | 29 | 120269 | Cylinder | 1 |
| 13 | 109457 | Thrust Bearing Race | 4 | 30 | 122835 | Footring Assembly | 1 |
| 14 | 155436 | Bearing | 2 | 31 | 002-1257-00 | Five Legged Base Kit | 1 |
| 15 | 015-1663-00 | Plastic Spacer | 1 | 32 | 016-0683-00 | Plastic Caster | 5 |
| 16 | 051-1032-50 | Support Plate | 1 | | 153263 | Complete Caster Set (Incl. 5 casters) | 1 |
| | | | | 33 | 061-0770-00 | Knight By Midmark Label (Used on newer units only) | 1 |

Always Specify Model & Serial Number

Assistant's Deluxe Stool - Domestic 154016(V)

SECTION VI PARTS LIST



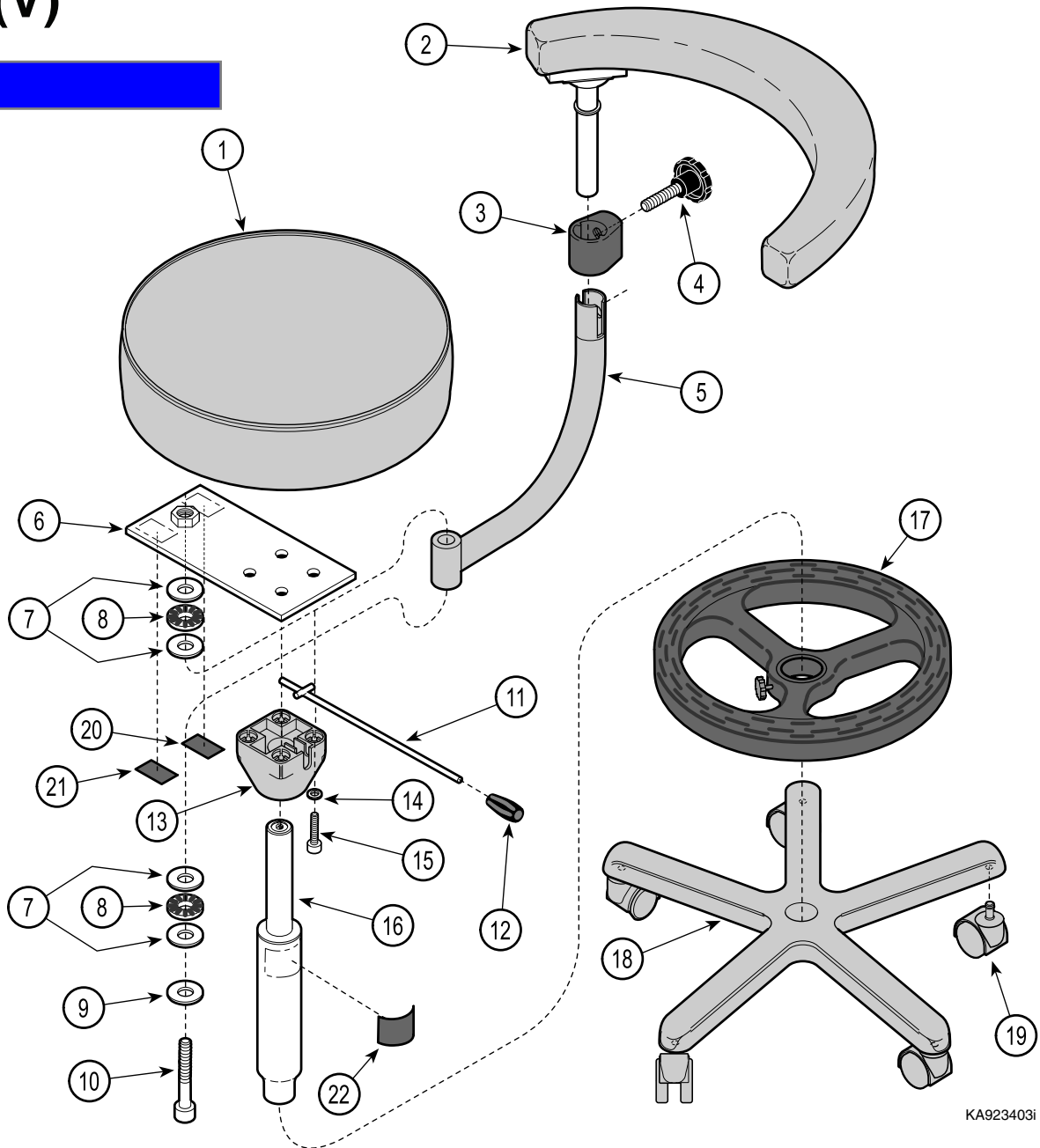
KA923403i

| Item | Part No. | Description | Qty. | Item | Part No. | Description | Qty. |
|------|-------------------------|--|------|------|---------------------|---|------|
| | 154016-xxx | Assistant's Deluxe Stool - Domestic (Incl Items 1 thru 21 [*Specify Color] | 1 | 12 | • 120853 | • Knob | 1 |
| 1 | • 151699-xxx | • Seat Cushion Assm (*Specify Color ... | 1 | 13 | • 151792 | • Cylinder Mount..... | 1 |
| 2 | • | • Bellyboard Arm Assembly (Refer to "Abdominal Support Assm" Elsewhere 1 | 1 | 14 | • 119238 | • Lockwasher..... | 4 |
| 3 | • 120290-1 | • Locking Clamp | 1 | 15 | • 119210 | • Screw..... | 4 |
| 4 | • 120314 | • Knob | 1 | 16 | • 120269 | • Assistant's Stool Cylinder | 1 |
| 5 | • 151701-1 | • Arm Support Weldment..... | 1 | 17 | • 122835 | • Footring Assembly | 1 |
| 6 | • 151712-1 | • Seat Plate Assembly | 1 | 18 | • 152471 | • Five Legged Base..... | 1 |
| 7 | • 120712 | • Thrust Washer..... | 4 | 19 | • 016-1146-00-216 | • Dual Wheel Caster..... | 5 |
| 8 | • 110207 | • Bearing..... | 2 | | 152707 | Complete Caster Set (Incl. 5 casters) ... | 1 |
| 9 | • 155269 | • Washer..... | 1 | 20 | • | • Serial Number Label..... | 1 |
| 10 | • 120698 | • Screw..... | 1 | 21 | • TP1162 | • Nameplate | 1 |
| 11 | • 120852 | • Lever | 1 | 22 | • 061-0770-00 | • Knight By Midmark Label (Used on newer units only)..... | 1 |

Always Specify Model & Serial Number

Assistant's Deluxe Stool - Export 154017(V)

SECTION VI PARTS LIST



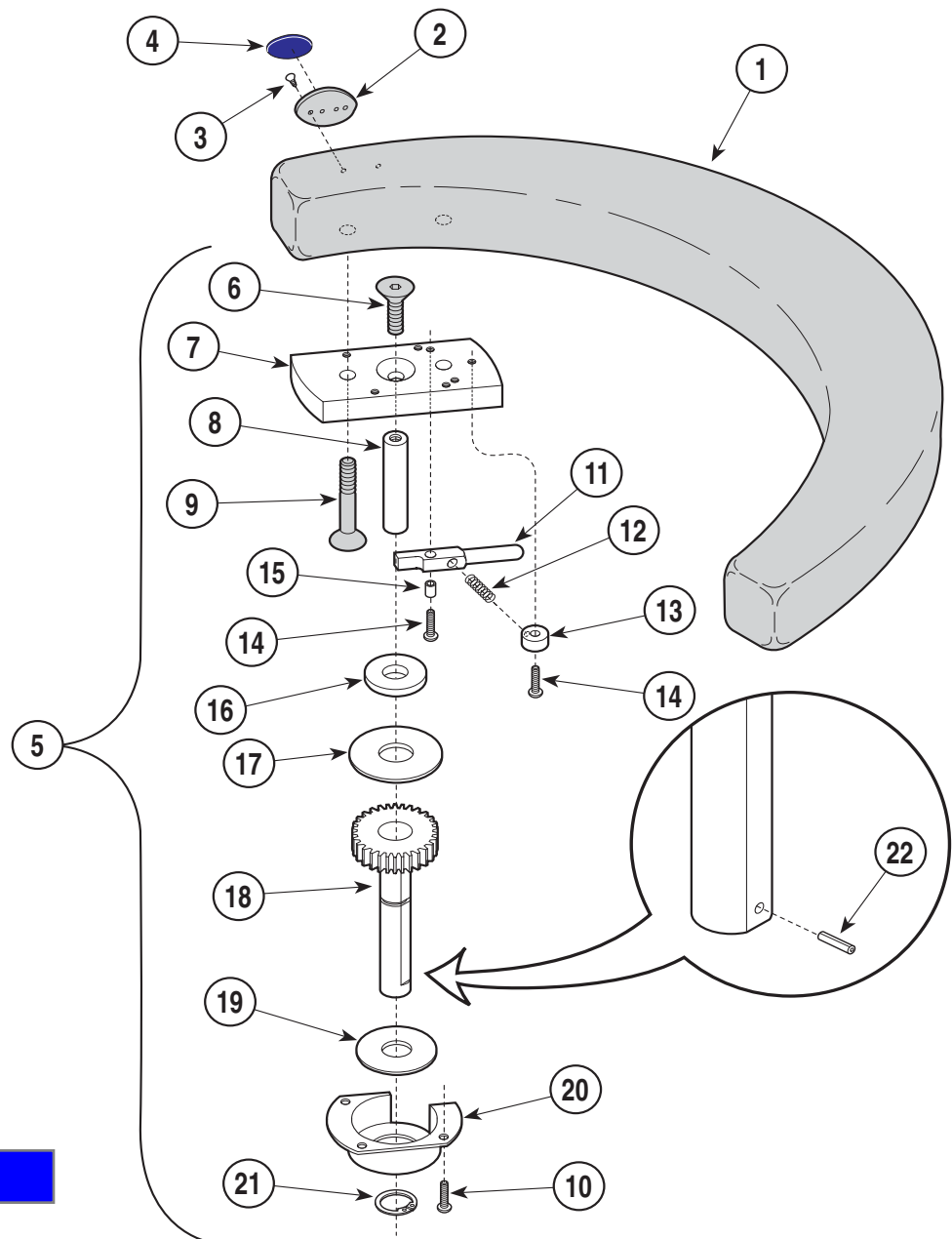
KA923403I

| Item | Part No. | Description | Qty. | Item | Part No. | Description | Qty. |
|------|--------------|--|------|------|-------------------|--|------|
| | 154017-xxx | Assistant's Deluxe Stool - Export (Includes Items 1 thru 21 [*Specify Color - Refer to Page 6-2])..... | 1 | 11 | • 120852 | • Lever | 1 |
| 1 | • 151699-xxx | • Seat Cushion Assm (*Specify Color) Color - Refer to Page 6-2) | 1 | 12 | • 120853 | • Knob | 1 |
| 2 | • | • Bellyboard Arm Assm (Ref Abdominal Support Assm" Elsewhere) | 1 | 13 | • 151792 | • Cylinder Mount..... | 1 |
| 3 | • 120290-1 | • Locking Clamp..... | 1 | 14 | • 119238 | • Lockwasher..... | 4 |
| 4 | • 120314 | • Knob..... | 1 | 15 | • 119210 | • Screw..... | 4 |
| 5 | • 151701-1 | • Arm Support Weldment..... | 1 | 16 | • 120269 | • Assistant's Stool Cylinder | 1 |
| 6 | • 151712-1 | • Seat Plate Assembly | 1 | 17 | • 122835 | • Footring Assembly | 1 |
| 7 | • 120712 | • Thrust Washer..... | 4 | 18 | • 152471 | • Five Legged Base | 1 |
| 8 | • 110207 | • Bearing..... | 2 | 19 | • 016-1146-00-216 | • Dual Wheel Caster | 5 |
| 9 | • 155269 | • Washer..... | 1 | | 152707 | Complete Caster Set (Incl. 5 casters) ... | 1 |
| 10 | • 120698 | • Screw | 1 | 20 | • | • Serial Number Label..... | 1 |
| | | | | 21 | • TP1162 | • Nameplate | 1 |
| | | | | 22 | • 061-0770-00 | • Knight By Midmark Label (Used on newer units only)..... | 1 |

Always Specify Model & Serial Number

Abdominal Support Assembly

SECTION VI PARTS LIST



KA923503

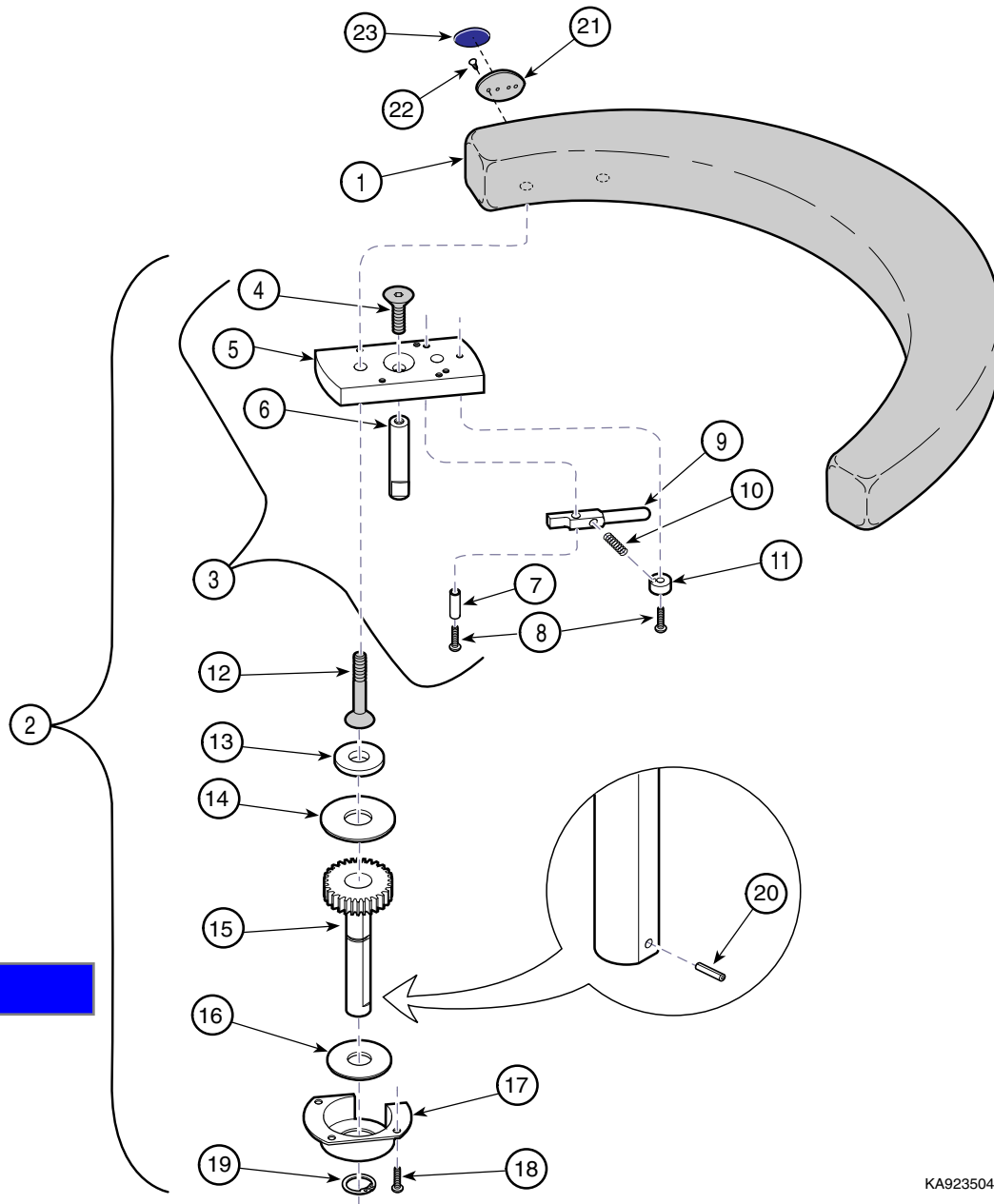
Used on units with serial numbers: SK, SL and V thru V609032

| Item | Part No. | Description | Qty. | Item | Part No. | Description | Qty. |
|------|-----------------------|---|------|------|------------|------------------------------------|------|
| 1 | 150251-xxx | Abdominal Support Cushion (Includes Items 2 thru 4 [*Specify Color])..... | 1 | 12 | • 120256 | • Ratchet Spring..... | 1 |
| 2 | •• 122195-1 | •• Logo Plate (Used on older units only)..... | 1 | 13 | • 120263-2 | • Stop Washer..... | 1 |
| 3 | •• 122205 | •• Screw (Used on older units only)..... | 2 | 14 | • 102127 | • Screw..... | 2 |
| 4 | •• 121527 | •• Small Logo (Older units only)..... | 1 | 15 | • 122392 | • Ratchet Bushing..... | 1 |
| 5 | 002-1706-00 | Ratchet Assm. (Incl Items 6 thru 21)..... | 1 | 16 | • 120275 | • Washer..... | 1 |
| 6 | •112679 | •Screw..... | 1 | 17 | • 120276 | • Nylon Washer..... | 1 |
| 7 | • 120262-2 | • Ratchet Plate..... | 1 | 18 | • 151696-2 | • Ratchet Gear Assembly..... | 1 |
| 8 | • 120251-2 | • Threaded Stud..... | 1 | 19 | • 120312 | • Nylon Washer..... | 1 |
| 9 | • 120250 | • Screw..... | 2 | 20 | • 120265-2 | • R.H. Gear Cover (Shown)..... | 1 |
| 10 | • 105480 | • Screw (Apply Loctite #042-0024-00).... | 3 | | • 120545-2 | • L.H. Gear Cover (Not Shown)..... | 1 |
| 11 | • 120271-2 | • Ratchet Lever..... | 1 | 21 | • 110065 | • Retaining Ring..... | 1 |
| | | | | 22 | 120252 | Roll Pin (Early Units Only)..... | 1 |

Always Specify Model & Serial Number

Abdominal Support Assembly

SECTION VI PARTS LIST



KA923504i

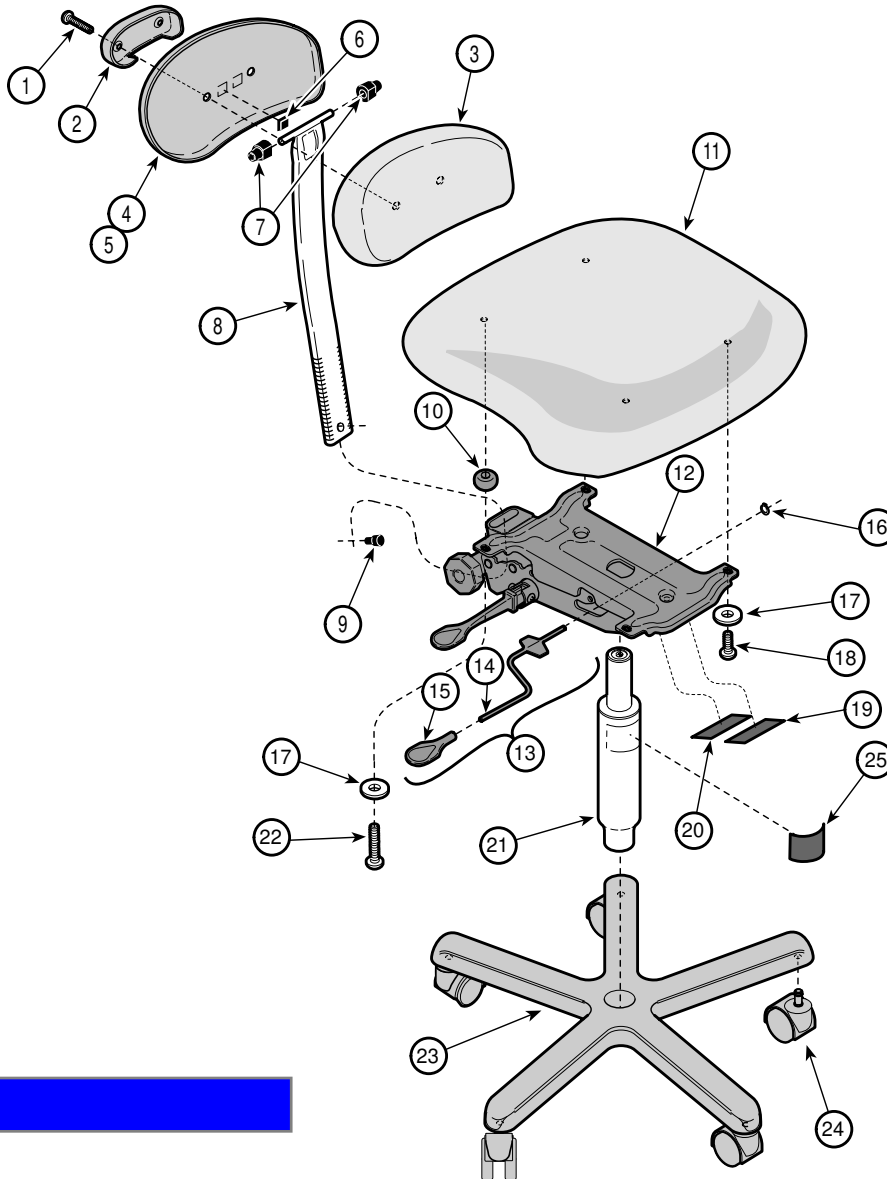
Used on units with serial numbers: V609033 thru Present

| Item | Part No. | Description | Qty. | Item | Part No. | Description | Qty. |
|------|--------------------------------------|---|--------|------|------------|--|------|
| 1 | 150251-xxx 150251V-xxx | Abdominal Sup Cushion - Plush Uphlstry (*Specify Color [Domestic Only]) Abdominal Support Cushion - Vacuform Upholstery (*Specify Color) | 1 1 | 12 | • 120250 | • Screw | 2 |
| 2 | 002-1706-00 | Ratchet Assm (Incl Items 3 -20) | 1 | 13 | • 120275 | • Washer | 1 |
| 3 | •002-1142-00 | •• Ratchet Plate Assm Kit (Incl Itms 4-8)1 | 1 | 14 | • 120276 | • Nylon Washer | 1 |
| 4 | ••112679 | ••Screw .375-16 x 1" Flat Hex Hd. | 1 | 15 | • 151696-2 | • Ratchet Gear Assembly..... | 1 |
| 5 | ••120262-2 | ••Ratchet Plate | 1 | 16 | • 120312 | • Nylon Washer | 1 |
| 6 | ••120251-2 | ••Threaded Stud | 1 | 17 | • 120265-2 | • R.H. Gear Cover (Shown)..... | 1 |
| 7 | ••122392 | ••Bushing | 1 | | • 120545-2 | • L.H. Gear Cover (Not Shown)..... | 1 |
| 8 | ••102127 | ••Screw (Apply Loctite #042-0024-00)... | 2 | 18 | • 105480 | • Screw (Apply Loctite #042-0024-00) ... | 3 |
| 9 | • 120271-2 | • Ratchet Lever..... | 1 | 19 | • 110065 | • Retaining Ring | 1 |
| 10 | • 120256 | • Ratchet Spring | 1 | 20 | 120252 | Roll Pin (Older Units Only) | 1 |
| 11 | • 120263-2 | • Stop Washer | 1 | 21 | 122195-1 | Logo Plate (Used on older units only) | 1 |
| | | | | 22 | 122205 | Screw (Used on older units only) | 2 |
| | | | | 23 | 121527 | Small Logo (Older units only)..... | 1 |

Always Specify Model & Serial Number

Deluxe Doctor's Stool - Domestic 154018(V)

SECTION VI PARTS LIST



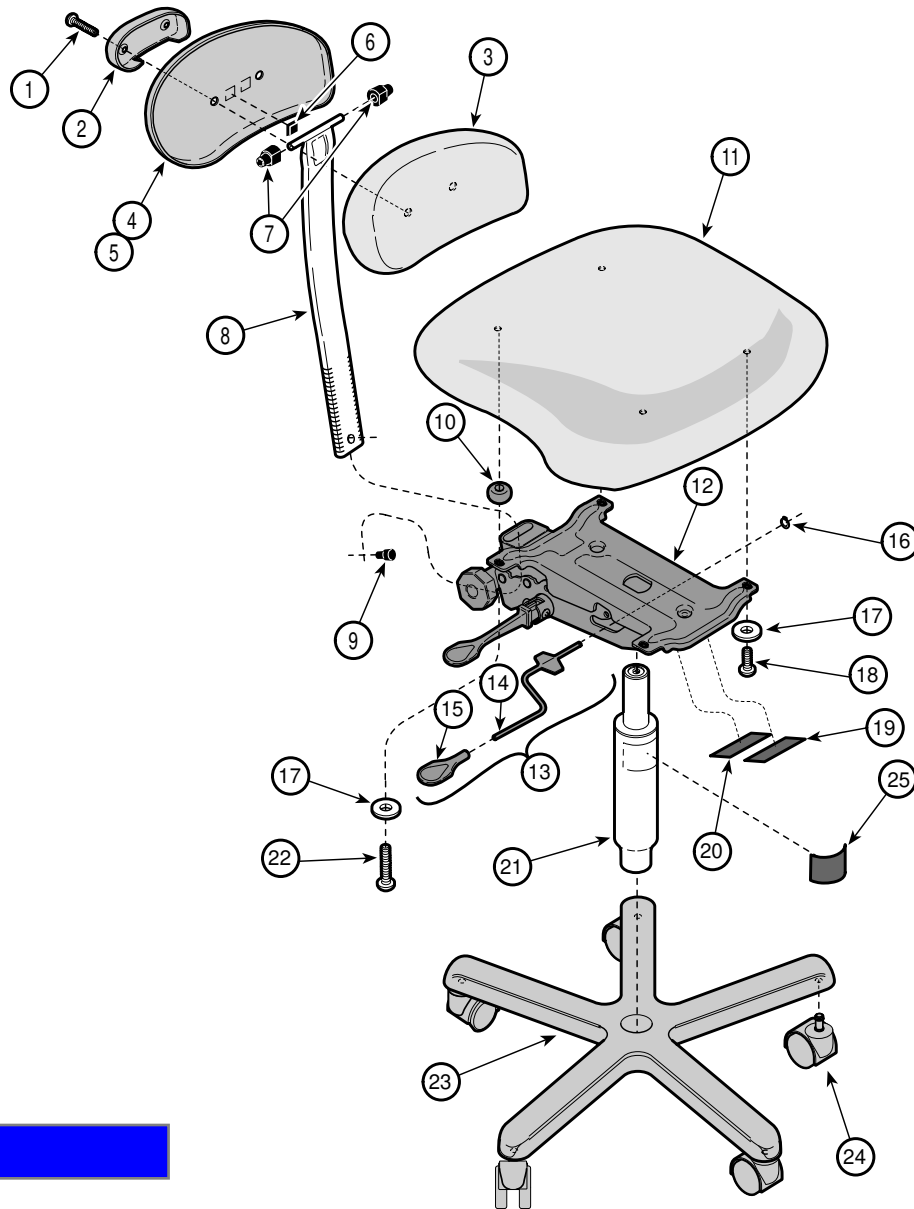
KA923103i

| Item | Part No. | Description | Qty. | Item | Part No. | Description | Qty. |
|------|----------------------|--|------|------|-------------------|--|------|
| | 154018-xxx | Deluxe Doctor's Stool - Domestic (Incl Items 1 thru 23 [*Specify Color]...) | 1 | 12 | • 120466 | • Seat Control..... | 1 |
| 1 | • 423012 | • Screw | 2 | 13 | • 029-2950-00 | • Lever Assm. (incl items 14 thru 16).... | 1 |
| 2 | • 120448-50 | • Backrest Pivot Cover..... | 1 | 14 | • • 120449 | • • Seat Tilt Control Lever..... | 1 |
| 3 | • 451709-xxx | • Back Cushion Assm. Incl Items 4 thru 6 [*Specify Color] | 1 | 15 | • • 120450 | • • Lever Handle..... | 1 |
| 4 | • • 422766 | • • Stool Back Plate | 1 | 16 | • • 120453 | • • E-Ring | 1 |
| 5 | • • 121527 | • • Small Logo (Not Shown) (Used on older units only) | 1 | 17 | • 118047 | • Washer | 4 |
| 6 | • • 108965 | • • Bumper | 2 | 18 | • 120313 | • Screw..... | 2 |
| 7 | • 120451 | • Pivot Bushings | 2 | 19 | • | • Serial Number Label..... | 1 |
| 8 | • 420447 | • Seat Tilt Bar..... | 1 | 20 | • TP4162 | • Nameplate | 1 |
| 9 | • 120452 | • Bar Stop | 1 | 21 | • 120289 | • Cylinder..... | 1 |
| 10 | • 053-1338-00 | • Stool Tilt Spacer | 2 | 22 | • 120288 | • Screw..... | 2 |
| 11 | • 451708(+)** | • Seat Cushion Assm. (*Specify Color ..) | 1 | 23 | • 452474 | • Five Legged Base..... | 1 |
| | | | | 24 | • 016-1146-00-216 | • Dual Wheel Caster | 5 |
| | | | | | 152707 | Complete Caster Set (Incl. 5 casters) ... | 1 |
| | | | | 25 | • 061-0770-00 | • Knight By Midmark Label (Used on newer units only)..... | 1 |

Always Specify Model & Serial Number

Deluxe Doctor's Stool - Export 154019(V)

SECTION VI PARTS LIST



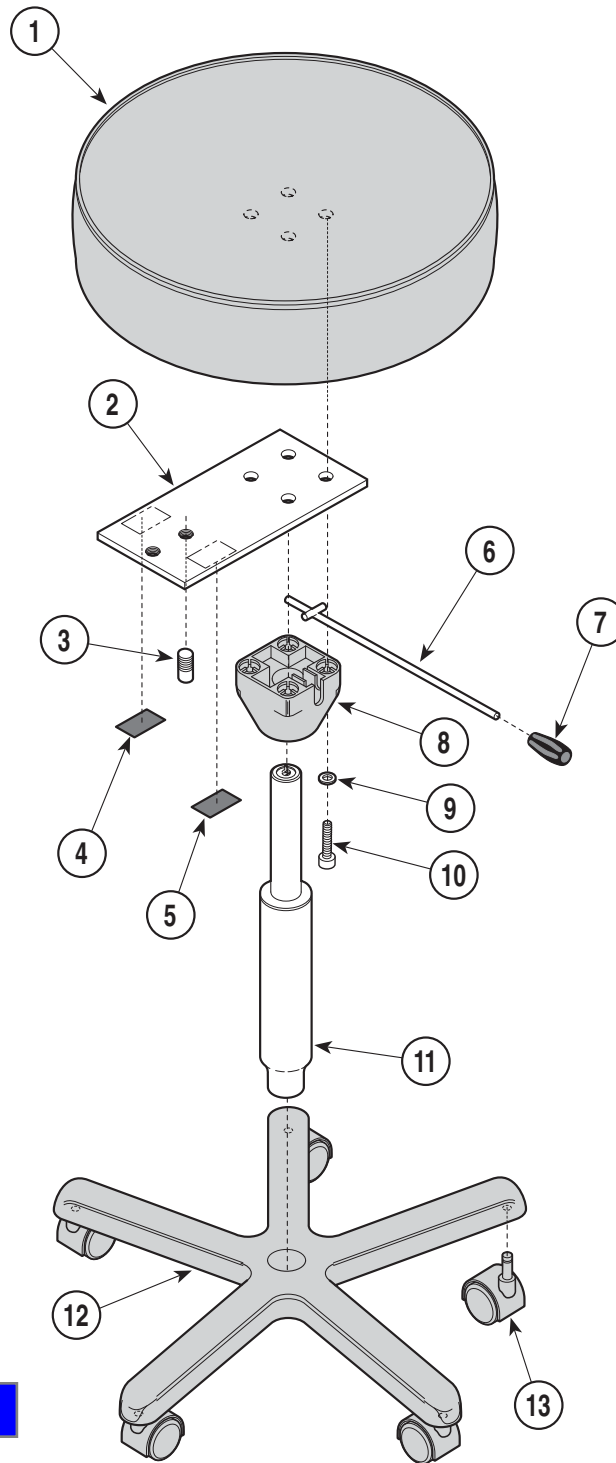
KA923103i

| Item | Part No. | Description | Qty. | Item | Part No. | Description | Qty. |
|------|---------------------|---|------|------|-------------------|--|------|
| | 154019-xxx | Deluxe Doctor's Stool - Export (Incl Items 1 thru 23 [*Specify Color.... | 1 | 12 | • 120466 | • Seat Control..... | 1 |
| 1 | • 423012 | • Screw | 2 | 13 | • 029-2950-00 | • Lever Assy (incl items 14 thru 16) | 1 |
| 2 | • 120448-50 | • Backrest Pivot Cover..... | 1 | 14 | • • 120449 | • • Seat Tilt Control Lever..... | 1 |
| 3 | • 451709-xxx | • Back Cushion Assembly (Incl Items 4 thru 6 [*Specify Color].... | 1 | 15 | • • 120450 | • • Lever Handle..... | 1 |
| 4 | • • 422766 | • • Stool Back Plate | 1 | 16 | • • 120453 | • • E-Ring | 1 |
| 5 | • • 121527 | • • Small Logo (Not Shown) (Used on older units only) | 1 | 17 | • 118047 | • Washer | 4 |
| 6 | • • 108965 | • • Bumper | 2 | 18 | • 120313 | • Screw..... | 2 |
| 7 | • 120451 | • Pivot Bushings | 2 | 19 | • | • Serial Number Label..... | 1 |
| 8 | • 420447 | • Seat Tilt Bar..... | 1 | 20 | • TP4162 | • Nameplate | 1 |
| 9 | • 120452 | • Bar Stop | 1 | 21 | • 120289 | • Cylinder..... | 1 |
| 10 | • 053-1338-00 | • Stool Tilt Spacer | 2 | 22 | • 120288 | • Screw..... | 2 |
| 11 | • 451708-xxx | • Seat Cushion Assm. (*Specify Color...) | 1 | 23 | • 452474 | • Five Legged Base..... | 1 |
| | | | | 24 | • 016-1146-00-216 | • Dual Wheel Caster..... | 5 |
| | | | | | 152707 | Complete Caster Set (Incl. 5 casters) ... | 1 |
| | | | | 25 | • 061-0770-00 | • Knight By Midmark Label (Used on newer units only)..... | 1 |

Always Specify Model & Serial Number

Doctor's Economy Stool - Domestic 154020(V)

SECTION VI PARTS LIST



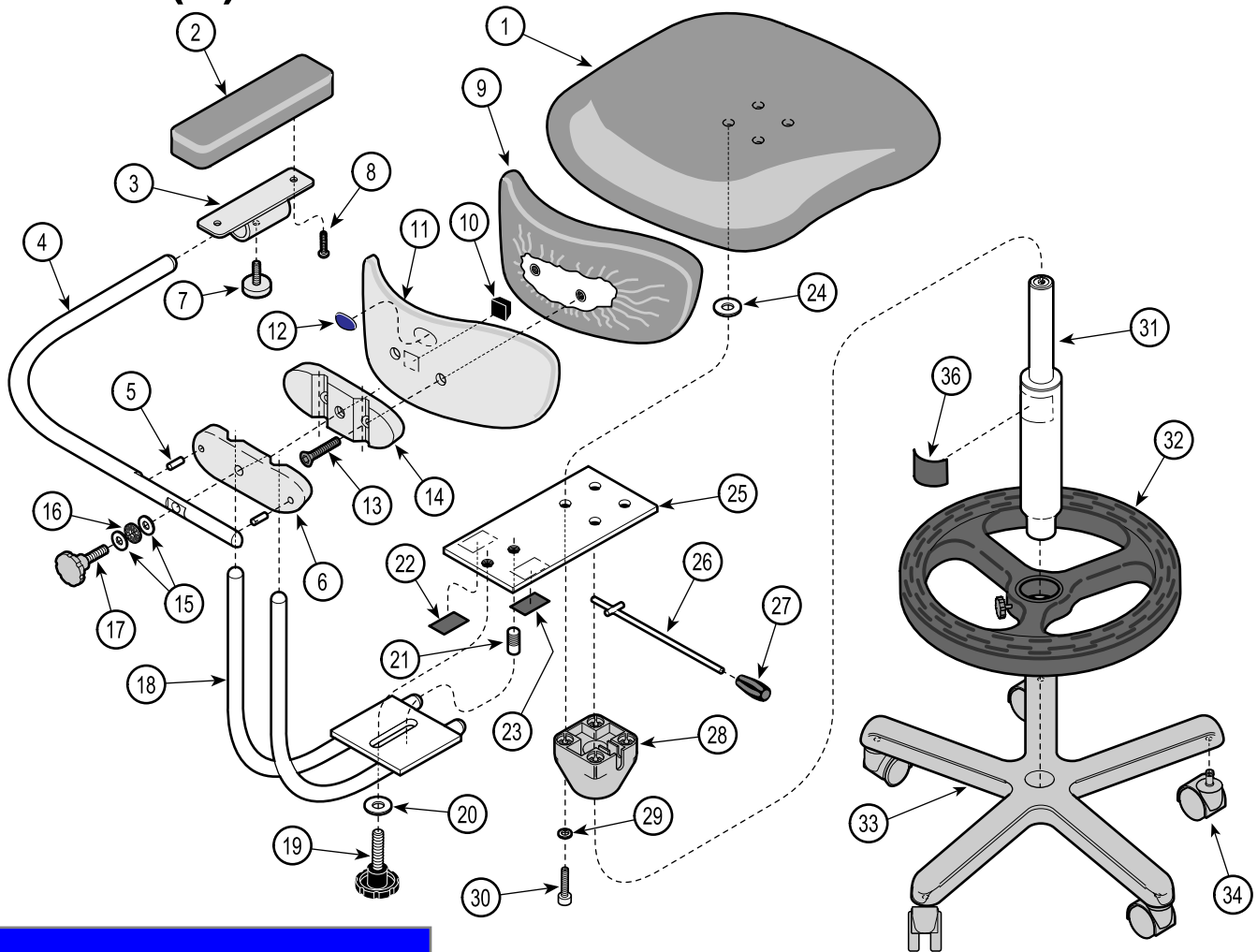
KA923700

| Item | Part No. | Description | Qty. | Item | Part No. | Description | Qty. |
|------|-------------------------|---|------|------|---------------------|--|------|
| | 154020-xxx | Doctor's Economy Stool - Domestic (Incl Items 1 thru 13 [*Specify Color .. 1 | | 7 | • 120853 | • Knob | 1 |
| 1 | • 151118-xxx | • Seat Cushion Assmy (*Specify Color) 1 | 1 | 8 | • 151792 | • Cylinder Mount | 1 |
| 2 | • 151115 | • Seat Mounting Plate..... | 1 | 9 | • 119238 | • Lockwasher | 4 |
| 3 | • 119198 | • Anti-Rotation Stud..... | 1 | 10 | • 119210 | • Screw..... | 4 |
| 4 | • TP1161 | • Nameplate..... | 1 | 11 | • 120289 | • Cylinder | 1 |
| 5 | • | • Serial Number Label | 1 | 12 | • 002-1257-00 | • Five Legged Base Kit | 1 |
| 6 | • 120852 | • Lever | 1 | 13 | • 016-0683-00 | • Plastic Caster | 5 |
| | | | | | 153263 | Complete Caster Set (Incl. 5 casters) | 1 |

Always Specify Model & Serial Number

Posture Plus Stool - Domestic 154031(V)

SECTION VI PARTS LIST



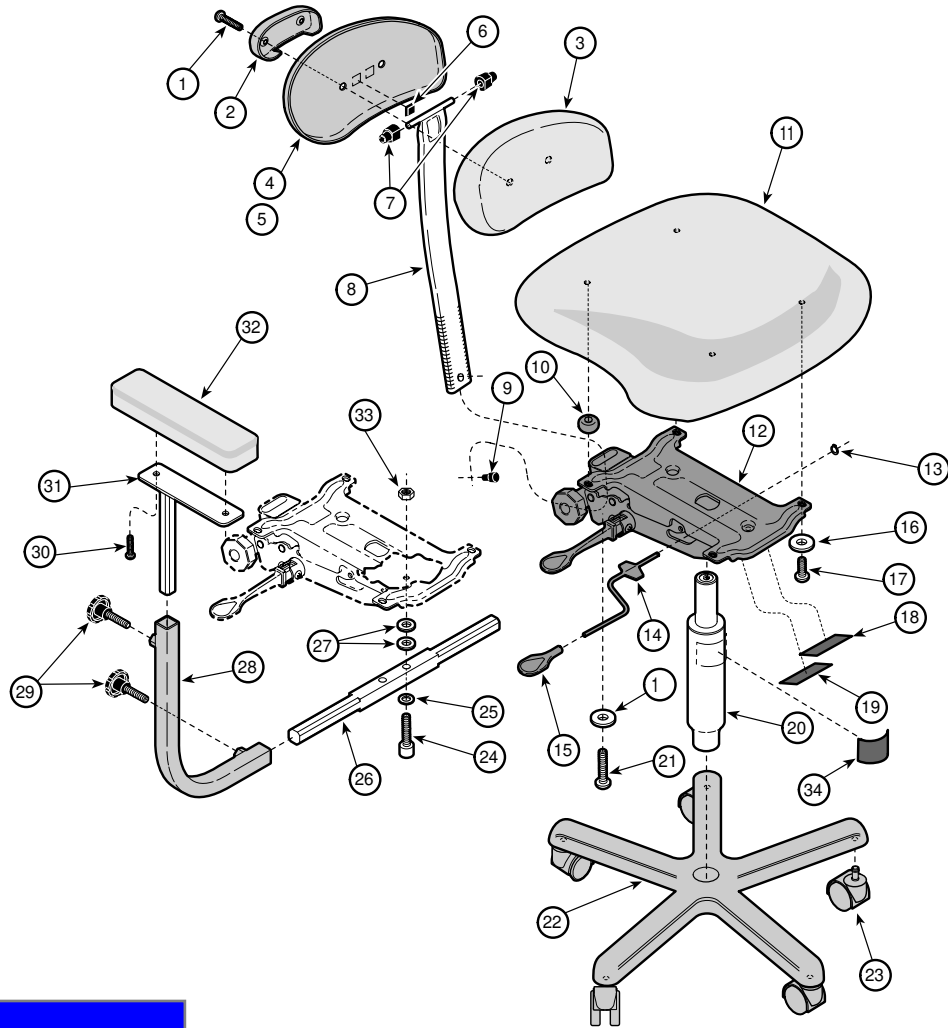
KA923803I

| Item | Part No. | Description | Qty. | Item | Part No. | Description | Qty. |
|------|-------------------------|---|------|------|------------------------|---|------|
| | 154031-xxx | Posture Plus Stool - Domestic (Incl Items 1 thru 35 [*Specify Color]) . | 1 | 17 | • 016-0891-00 | • Stool Backrest Knob | 1 |
| 1 | • 452417-xxx | • Seat Cushion Assm. (*Specify Color) . | 1 | 18 | • 152389-2 | • Backrest Weldment | 1 |
| 2 | • 152636-xxx | • Armrest Assm. (Vacuform Upholstery (*Specify Color)) | 1 | 19 | • 119211 | • Knob | 1 |
| | • 153316-xxx | • Armrest Assm. (Plush Upholstery (*Specify Color)) | 1 | 20 | • 119233 | • Washer | 1 |
| 3 | • 152459-1 | • Armrest Mounting Bar Assembly | 1 | 21 | • 119198 | • Anti-Rotation Stud | 1 |
| 4 | • 152474 | • Arm Support Assm. (Incl Item 5 & 6) .. | 1 | 22 | • | • Serial Number Label | 1 |
| 5 | • • 117518 | • • Groove Pin | 2 | 23 | • TP1162 | • Stool Nameplate Label | 1 |
| 6 | • • 122865-1 | • • Outer Backrest Mounting Plate | 2 | 24 | • 117649 | • Washer | 6 |
| 7 | • 121351-1 | • Stool Knob | 1 | 25 | • 121354-1 | • Mounting Plate | 1 |
| 8 | • 118796 | • Screw | 2 | 26 | • 420852 | • Lever | 1 |
| 9 | • 451709-xxx | • Back Cushion Assm. Incl Items 10, 11, 12, & 13 [*Specify Color]) | 1 | 27 | • 120853 | • Lever Knob | 1 |
| 10 | • • 108965 | • • Bumper | 2 | 28 | • 451792 | • Cylinder Mount | 1 |
| 11 | • • 422766 | • • Stool Back Plate | 1 | 29 | • 119238 | • Washer | 4 |
| 12 | • • 121527 | • • Small Logo (Older units only) | 1 | 30 | • 155551 | • Screw | 4 |
| 13 | • • 040-0250-33 | • • Screw | 2 | 31 | • 129269 | • Cylinder | 1 |
| 14 | • 152475 | • Backrest Plate Assembly | 1 | 32 | • 122835 | • Footring Assembly | 1 |
| 15 | • 121530 | • Washer | 2 | 33 | • 452471-50 | • Five Legged Base | 1 |
| 16 | • 121531 | • Bearing | 1 | 34 | • 016-1146-00-216 | • Dual Wheel Caster | 5 |
| | | | | | 152707 | Complete Caster Set (Incl. 5 casters) . | 1 |
| | | | | 35 | • 421362 | • Allen Wrench (Not Shown) | 1 |
| | | | | 36 | • 061-0770-00 | • Knight by Midmark Label (Newer units only) | 1 |

Always Specify Model & Serial Number

Deluxe Doctor's Stool W/ Arms - Domestic 154037(V)

SECTION VI PARTS LIST



KA9232021

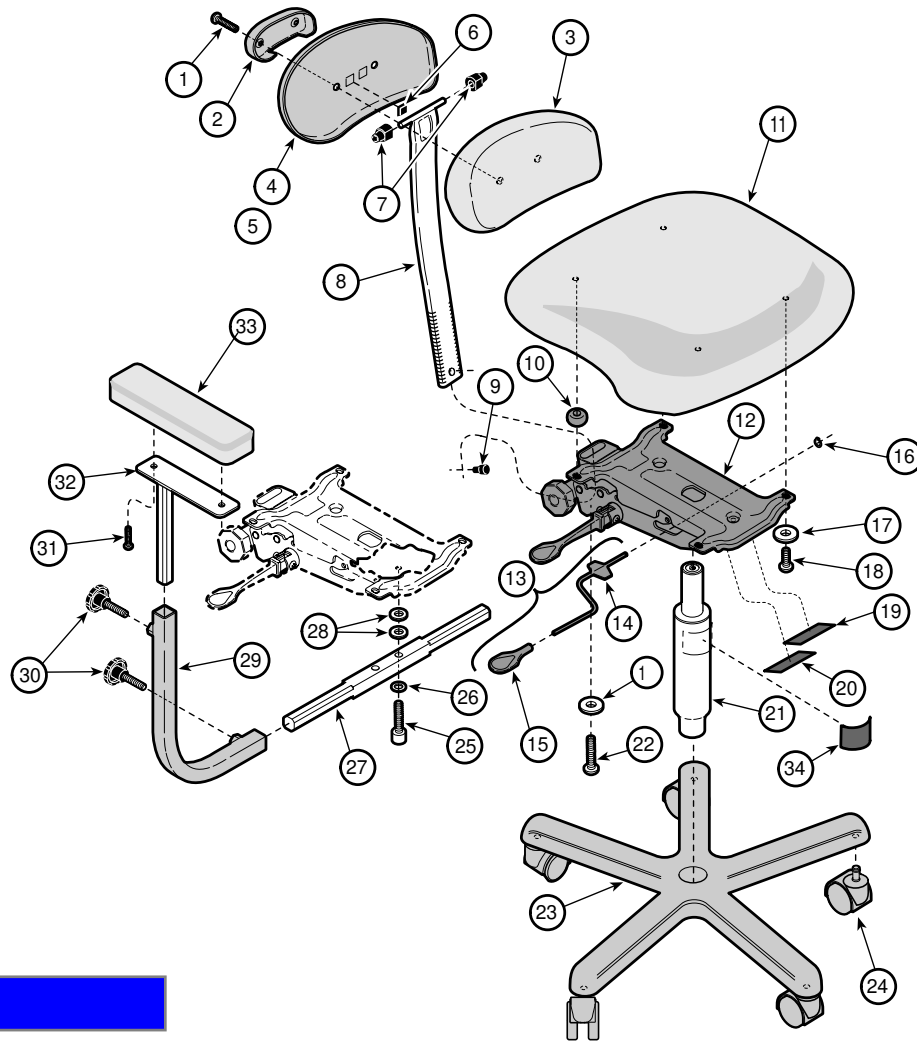
Used on units built prior to 10/05/01

| Item | Part No. | Description | Qty. | Item | Part No. | Description | Qty. |
|------|-------------------------|---|------|------|------------------------|--|------|
| | 154037-xxx | Deluxe Dr's Stool With Arms Domestic - (Incl Items 1 thru 32 [*Specify Color])..... | | 18 | • | • Serial Number Label | 1 |
| 1 | • 423012 | • Screw | 2 | 19 | • TP4162 | • Nameplate | 1 |
| 2 | • 120448-50 | • Backrest Pivot Cover | 1 | 20 | • 120289 | • Cylinder | 1 |
| 3 | • 451709-xxx | • Back Cushion Assembly (Incl Items 4, 5, and 6 [*Specify Color])1 | 1 | 21 | • 120288 | • Screw | 2 |
| 4 | • • 422766 | • Stool Back Plate | 1 | 22 | • 452471-50 | • Five Legged Base | 1 |
| 5 | • • 121527 | • Small Logo (Older units only) (Not Shown)1 | 1 | 23 | • 016-1146-00-216 | • Dual Wheel Caster | 5 |
| 6 | • • 108965 | • Bumper | 2 | | 152707 | Complete Caster Set (Incl. 5 casters).... | 1 |
| 7 | • 120451 | • Pivot Bushings | 2 | 24 | • 121844 | • Screw | 2 |
| 8 | • 420447 | • Seat Tilt Bar | 1 | 25 | • C4507 | • Lockwasher | 2 |
| 9 | • 120452 | • Bar Stop | 1 | 26 | • 122234-2 | • Mounting Bar | 1 |
| 10 | • 053-1338-00 | • Stool Tilt Spacer | 2 | 27 | • 100099 | • Washer | 4 |
| 11 | • 451708-xxx | • Seat Cushion Assm (*Specify Color) .. | 1 | 28 | • 152901-1 | • R.H. Tube Assembly (Shown) | 1 |
| 12 | • 120466-6 | • Seat Control | 1 | | • 152902-1 | • L.H. Tube Assembly (Not Shown) | 1 |
| 13 | • 120453 | • E-Ring | 1 | 29 | • 152963 | • Knob | 4 |
| 14 | • 120449 | • Seat Tilt Control Lever | 1 | 30 | • 118796 | • Screw | 4 |
| 15 | • 120450 | • Lever Handle | 1 | 31 | • 152873-2 | • Post Weldment | 2 |
| 16 | • 118047 | • Washer | 4 | 32 | • 152636-xxx | • Armrest Pad Assembly (Specify Color - Refer to Page 6-2) | 2 |
| 17 | • 120313 | • Screw | 2 | 33 | • C1269 | • Nut | 2 |
| | | | | 34 | • 061-0770-00 | • Knight By Midmark Label (Used on newer units only) | 1 |

Always Specify Model & Serial Number

Deluxe Doctor's Stool W/ Arms - Domestic 154037(V)

SECTION VI PARTS LIST



DA103102I

Used on units built after 10/05/01

| Item | Part No. | Description | Qty. | Item | Part No. | Description | Qty. |
|------|---------------|--|------|------|-------------------|--|------|
| | 154037-xxx | Deluxe Dr's Stool With Arms Domestic (Incl Items 1 thru 32 [*Specify Color]) | 1 | 18 | • 120313 | • Screw | 2 |
| | • 423012 | • Screw | 2 | 19 | • | • Serial Number Label | 1 |
| 2 | • 120448-50 | • Backrest Pivot Cover | 1 | 20 | • TP4162 | • Nameplate | 1 |
| 3 | • 451709-xxx | • Back Cushion Assm (Incl Items 4, 5, and 6 [*Specify Color]) | 1 | 21 | • 120289 | • Cylinder | 1 |
| 4 | • 422766 | • Stool Back Plate | 1 | 22 | • 120288 | • Screw | 2 |
| 5 | • 121527 | • Small Logo (Older units only) (Not Shown) | 1 | 23 | • 452471-50 | • Five Legged Base | 1 |
| 6 | • 108965 | • Bumper | 2 | 24 | • 016-1146-00-216 | • Dual Wheel Caster | 5 |
| 7 | • 120451 | • Pivot Bushings | 2 | | 152707 | Complete Caster Set (Incl. 5 casters) | 1 |
| 8 | • 420447 | • Seat Tilt Bar | 1 | 25 | • 121844 | • Screw | 2 |
| 9 | • 120452 | • Bar Stop | 1 | 26 | • C4507 | • Lockwasher | 2 |
| 10 | • 053-1338-00 | • Stool Tilt Spacer | 2 | 27 | • 122234-2 | • Mounting Bar | 1 |
| 11 | • 451708(*)** | • Seat Cushion Assm (*Specify Color) | 1 | 28 | • 100099 | • Washer | 4 |
| 12 | • 120466-1 | • Seat Control | 1 | 29 | • 152901-1 | • R.H. Tube Assembly (Shown) | 1 |
| 13 | • 029-2950-00 | • Lever Assy (incl items 14 thru 16) | 1 | | • 152902-1 | • L.H. Tube Assembly (Not Shown) | 1 |
| 14 | • 120449 | • Seat Tilt Control Lever | 1 | 30 | • 152963 | • Knob | 4 |
| 15 | • 120450 | • Lever Handle | 1 | 31 | • 118796 | • Screw | 4 |
| 16 | • 120453 | • E-Ring | 1 | 32 | • 152873-2 | • Post Weldment | 2 |
| 17 | • 118047 | • Washer | 4 | 33 | • 152636-xxx | • Armrest Pad Assm (*Specify Color) | 2 |
| | | | | 34 | • 061-0770-00 | • Knight By Midmark Label (Used on newer units only) | 1 |

Always Specify Model & Serial Number

COMMENTS

The Technical Publications Department of Midmark Corporation takes pride in its publications. We are sure that our manuals will fill all of your needs when you are performing scheduled maintenance, servicing, or repairs on a Midmark product.

However, if you find any errors or feel that there should be a change, addition, or deletion to a manual, please let us know!

Page(s) and Paragraph(s) Needing Changed:

Description of Error or Desired Change:

Please fax or mail a copy of this completed comment sheet to:

Midmark Corporation
ATTN: Technical Publications Department
60 Vista Drive
Versailles, Ohio 45380
Fax: (937) 526-5542

FAX ORDERING FORM

(SERVICE PARTS ONLY)

NOTES:

- ALL **BLOCKED** AREAS MUST BE COMPLETED.
- USE FOR NON-WARRANTY FAX ORDERS ONLY. WARRANTY ORDERS MUST BE TELEPHONED IN (1-800-MIDMARK).

| ATTENTION: SERVICE DEPARTMENT FAX#: 877-249-1793 | | | | |
|---|--------|---|-----------------------|-------------|
| ACCT #: _____ | | P.O. #: _____ | | DATE: _____ |
| NAME: _____ | | SHIP TO: _____ | | |
| ADDRESS: _____ | | _____ | | |
| CITY, ST.: _____ | | _____ | | |
| CONTACT: _____ | | _____ | | |
| PHONE: _____ | | _____ | | |
| <input type="checkbox"/> NON-EMERGENCY ORDER - TO SHIP WITHIN 72 HOURS IF PART(S) IN STOCK. | | METHOD OF SHIPMENT <u>OTHER</u> _____ | | |
| <input type="checkbox"/> EMERGENCY ORDER - TO SHIP WITHIN 24 HOURS IF PART(S) IN STOCK (IF ORDER IS RECEIVED BEFORE 1:00 P.M. E.S.T). | | UPS FED EX | | |
| SEND NOTIFICATION IF PARTS ARE NOT AVAILABLE TO SHIP WITHIN 24 HOURS VIA E-MAIL OR FAX TO: _____ | | <input type="checkbox"/> NEXT DAY A.M. <input type="checkbox"/> NEXT DAY A.M. | | |
| | | <input type="checkbox"/> NEXT DAY P.M. <input type="checkbox"/> NEXT DAY P.M. | | |
| | | <input type="checkbox"/> 2ND DAY <input type="checkbox"/> 2ND DAY | | |
| | | <input type="checkbox"/> GROUND <input type="checkbox"/> ECONOMY | | |
| QTY. | PART # | DESCRIPTION (SPECIFY COLOR OF ITEM IF APPLICABLE) | COLOR CODE | PRICE/PER |
| | | | | |
| | | | | |
| | | | | |
| | | | | |
| | | | | |
| | | | | |
| | | | | |
| | | | | |
| | | | | |
| | | | | |
| | | | | |
| | | | | |
| | | | | |
| | | | | |
| | | | | |
| | | | | |
| | | | | |
| | | | | |
| | | | | |
| | | | | |
| | | | | |
| | | | | |
| | | | TOTAL COST: \$ | |

Midmark Corporation
60 Vista Drive
P.O. Box 286
Versailles, Ohio 45380-0286
937-526-3662
Fax 937-526-5542
midmark.com



Because we care.

Subject to change without notice.
Refer to www.Documark.com for latest revision.