

'Apollo' Valves

SUBMITTAL SHEET

75-100 Series

Locking Bronze Ball Valve



Job Name:	
Job Location:	
Engineer:	
Contractor:	
Tag:	
PO Number:	
Representative:	
Wholesale Distributor:	



DESCRIPTION

This Apollo® Ball Valve meets OSHA standards and provides for easy, safe maintenance of pneumatic tools. Valve can be padlocked in the OPEN or CLOSED position with the same hardware.

FEATURES

- Adjustable Packing Gland
- Blow-Out Proof Stem Design
- RPTFE Seats and Stuffing Box Ring
- Hardened Ball for Wear Resistance

PERFORMANCE RATING

- Maximum Pressure: 600 psi CWP, 150 SWP
- Temperature Range: +50°F - 200°F

APPROVALS

- MSS SP-110; Ball Valves, Threaded, Socket-Welding, Solder Joint, Grooved and Flared Ends
- Federal Specification: WW-V-35C, Type: II, Composition: BZ, Style: 3
- CRN: OC10908.5C

OPTIONS & SIZES

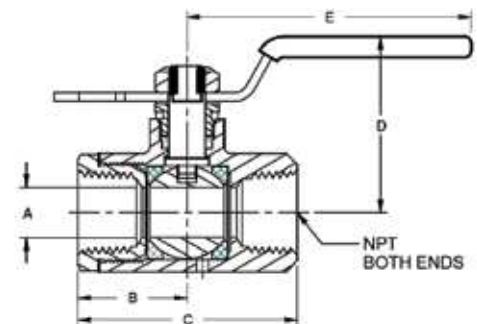
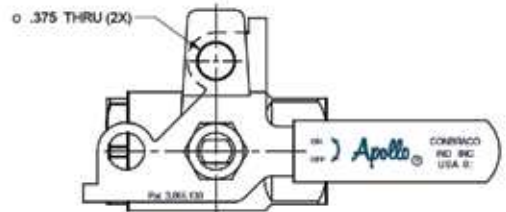
- (-02) Stem Grounded 1/4" - 2"
- (-07) T-Handle 1/4" - 2"
- (-08) 90° Reversed Stem 1/4" - 2"
- (-14) Side Vented Ball (Uni-Directional) 1/4" - 2"
- (-10) SS Lever & Nut 1/4" - 2"
- (-17) Rough Chrome Plated 1/4" - 2"
- (-20) Slot Vented Ball 1/4" - 2"
- (-24) Graphite Packing 1/4" - 2"
- (-41) Automatic Drain (Bronze Valves Only) 1/4" - 2"
- (-49) Assembled Dry 1/4" - 2"
- (-57) Oxygen Cleaned 1/4" - 2"
- (-60) Static Grounded Ball & Stem 1/4" - 2"
- (-P01) BSPP (Parallel) Thread Connection 1/4" - 2"
- (-T01) BSPT (Tapered) Thread Connection 1/4" - 2"
- (75-140 SERIES) 316 SS Ball and Stem 1/4" - 2"
- (75-190 SERIES) Pinned Retainer 1/4" - 2"

STANDARD MATERIALS LIST

Part Name	Material
Lever and Grip	Steel, Zinc Plated w/ Vinyl
Stem Packing	MPTFE
Stem Bearing	RPTFE
Ball	B16 Brass, Chrome Plated or B283, C37700 Chrome Plated
Seat (2)	RPTFE
Retainer	B16 Brass or B927, C27451(1/4"-1") B584 Bronze (1 1/4"-2")
Gland Nut	B16 Brass
Stem	B16 Brass
Lever Nut	Steel, Zinc Plated
Body	B584 Bronze-C84400

DIMENSIONS

Part Number	Size (in.)	Dimensions (in.)				
		A	B	C	D	E
75-101-01	1/4"	0.43	1.12	2.25	1.81	3.00
75-102-01	3/8"	0.50	1.12	2.25	1.81	3.00
75-103-01	1/2"	0.50	1.12	2.25	1.81	3.00
75-104-01	3/4"	0.87	1.68	3.37	2.25	3.87
75-105-01	1"	0.87	1.68	3.37	2.25	3.87
75-106-01	1-1/4"	1.00	2.00	4.00	2.62	5.50
75-107-01	1-1/2"	1.25	2.16	4.37	2.87	5.50
75-108-01	2"	1.50	2.34	4.68	3.06	5.50



Apollo Valves, Manufactured by **Conbraco Industries, Inc.**
701 Matthews Mint-Hill Road, Matthews, NC 28105 USA
www.apollovalves.com | (704) 841-6000

