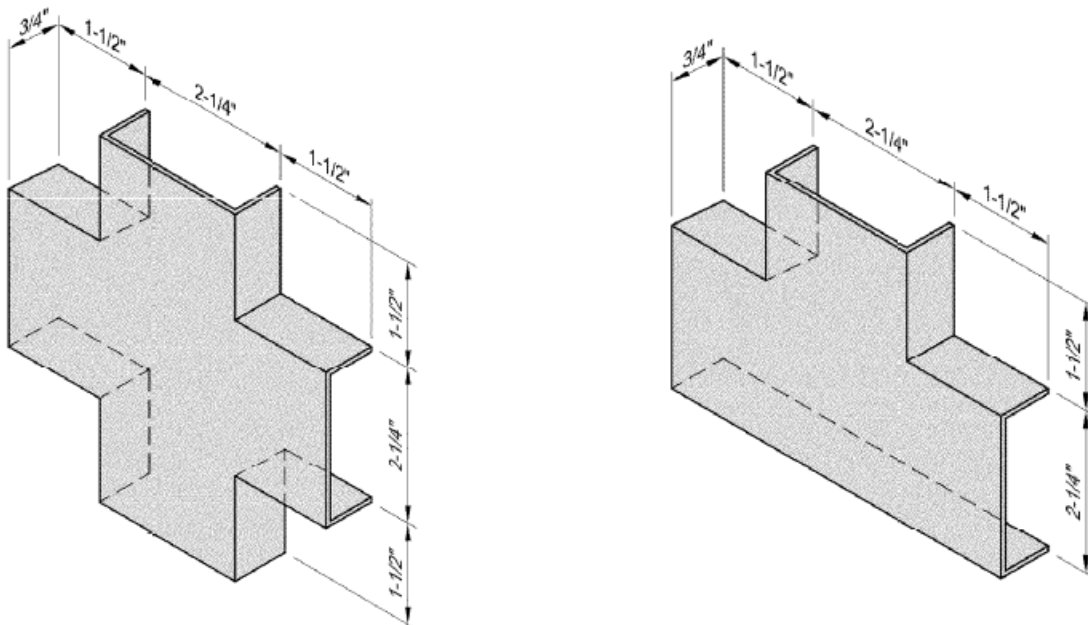


Pecora offers a variety of silicone based architectural sealants and preformed silicone profiles for commercial waterproofing purposes. Typically, the preformed silicone profiles are provided in flat strips packaged in rolls of varying widths, colors and textures. In addition to the standard flat profiles, custom molded silicone profiles are available from Pecora. Custom shapes typically include inside corner saddles, outside corner saddles, 90° saddles, T-shapes, etc. The silicone profiles can be molded to practically any configuration.

In order to provide custom silicone profiles to our customers in a timely manner, Pecora requires specific information regarding the desired profile configuration. The most critical information would be precise measurements which are generally provided in the form of sketches, CAD details, or other electronic formats. Other requirements will include the desired Shore A hardness, profile thickness, color, quantities, tolerances, etc.

All required information regarding the requested profiles is recorded on the “Silicone Extrusion Custom Design Quote Form”. Price quotes are generated solely on the information provided by the customer. As a result, completing the form in its entirety will ensure the most efficient & accurate quoting process. The referenced quote form can be found on page two of this bulletin.

Please review the quote form thoroughly and contact the Pecora Technical Service Group with any questions or concerns.



Note: One form per custom extrusion request.

Pecora Sales Representative					
Distributor					
Street Address					
City		State/Province		Postal/Zip Code	
Phone		Fax			
Distributor Representative				Phone	

Project Name						
Street Address						
Application						
Drawing/Part Technical Approver name				Phone		
Quote needed by			Material needed by			
Mock-up samples required ¹		<input type="checkbox"/> Yes <input type="checkbox"/> No	Date needed		Quantity	ea/linear ft.

Standard color (to match Pecora 895NST Silicone Sealant)

Translucent Tru-White Aluminum Stone Classic Bronze Black

__ Custom colors: Submit a representative substrate sample or paint chip to Pecora for matching.

Please provide a drawing of the custom design² you are ordering including the following information:

- ✓ All dimensions including thickness (indicate on drawing)
- ✓ Tolerance requirements
- ✓ Material specification/durometer
- ✓ Total Job Quantity

If applicable, ASTM C1115 specification reference _____

Submit all completed requests to Pecora Corporation at the address below. You will receive a quote within 5 working days for standard designs.

Pecora Corporation
165 Wambold Rd.
Harleysville, PA 19438
Ph: (215) 723-6051
Fax: (215) 799-2518

Keep a copy of this form for your records.
Please copy your Pecora Representative.

¹ A set up fee may be assessed.

² Please provide a dimensionally accurate drawing of actual part. Drawings showing application may also be attached. Drawings can be sent to techservices@pecora.com

MDM 7/2011

