



# Profile Dryers

*Safety Information* ..... 3-5

**Operating Instructions**

Controls ..... 6-7

Drying Center ..... 9

Features ..... 8, 9

Loading and Using  
the Dryer ..... 11

Reversing The Door ..... 10

Venting The Dryer ..... 12

*Troubleshooting Tips* .. 13, 14

**Customer Service**

Product Registration ... 2, 15, 16

Service Telephone

Numbers ..... Back Cover

Warranty for Customers  
in the U.S.A. .... 19

**Owner's Manual**

*Models Type:*

405      483

465      513

Profile

## Sécheuses

**Manuel d'utilisation**

*Types de modèle:*

405      483

465      513

*La section française commence à la page 20*

Profile

## Secadoras

**Manual del propietario**

*Modelos tipo:*

405      483

465      513

*La sección en español empieza en la página 36*



# GE & You, A Service Partnership.



## IMPORTANT!

Fill out the Consumer Product Registration Card.

### Two easy ways to register your appliance!

- Through the internet at [www.geappliances.com](http://www.geappliances.com)
- Complete and mail the enclosed Product Registration Card



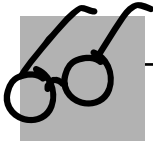
## FOR YOUR RECORDS

Write the model and serial numbers here:

# \_\_\_\_\_

# \_\_\_\_\_

They are on the label on the front of the dryer behind the door.



## READ THIS MANUAL

Inside you will find many helpful hints on how to use and maintain your dryer properly. Just a little preventive care on your part can save you a great deal of time and money over the life of your dryer.



## PROPER VENTING

For the best drying performance the dryer needs to be properly vented. The dryer will use more energy and run longer if it is not vented to the specifications outlined in the *Venting the Dryer* section in this manual and the *Exhausting* section in the Installation Instructions.



## IF YOU NEED SERVICE

You'll find many answers to common problems in the *Before You Call For Service* section. If you review our chart of *Troubleshooting Tips* first, you may not need to call for service at all.

If you do need service, you can relax knowing help is only a phone call away. A list of toll-free customer service numbers is included in the back section. Or, **in the U.S.**, you can always call the GE Answer Center® at 800.626.2000, 24 hours a day, 7 days a week. **In Canada**, call 1-800-361-3400.

**OR**

Visit our Website at: [www.geappliances.com](http://www.geappliances.com)

# IMPORTANT SAFETY INFORMATION. READ ALL INSTRUCTIONS BEFORE USING.

## **⚠ WARNING!**

*For your safety, the information in this manual must be followed to minimize the risk of fire or explosion, electric shock, or to prevent property damage, personal injury, or death.*

- **Do not store or use gasoline or other flammable vapors and liquids in the vicinity of this or any other appliance.**
- **Installation and service must be performed by a qualified installer, service agency or the gas supplier.**

## **WHAT TO DO IF YOU SMELL GAS:**

- 1 Do not try to light a match, or cigarette, or turn on any gas or electrical appliance.**
- 2 Do not touch any electrical switch; do not use any phone in your building.**
- 3 Clear the room, building or area of all occupants.**
- 4 Immediately call your gas supplier from a neighbor's phone. Follow the gas supplier's instructions carefully.**
- 5 If you cannot reach your gas supplier, call the fire department.**

### *California Safe Drinking Water and Toxic Enforcement Act*

This act requires the governor of California to publish a list of substances known to the state to cause cancer, birth defects or other reproductive harm and requires businesses to warn customers of potential exposure to such substances.

Gas appliances can cause minor exposure to four of these substances, namely benzene, carbon monoxide, formaldehyde and soot, caused primarily by the incomplete combustion of natural gas or LP fuels.

Properly adjusted dryers will minimize incomplete combustion. Exposure to these substances can be minimized further by properly venting the dryer to the outdoors.



## **PROPER INSTALLATION**

*This dryer must be properly installed and located in accordance with the Installation Instructions before it is used. If you did not receive an Installation Instructions sheet, you can receive one by calling us toll-free at the GE Answer Center®, 800.626.2000.*

- Properly ground dryer to conform with all governing codes and ordinances. Follow details in Installation Instructions.
- Install or store where it will not be exposed to temperatures below freezing or exposed to the weather.
- Connect to a properly rated, protected and sized power supply circuit to avoid electrical overload.
- Remove all sharp packing items and dispose of all shipping materials properly.

### *Exhaust/Ducting:*

- 1 Gas dryers *MUST* be exhausted to the outside.**
- 2 Exhausting electric dryers to the outside is *strongly recommended* to prevent large amounts of moisture and lint from being blown into the room.**
- 3 Use only rigid metal or flexible metal 4" diameter ductwork inside the dryer cabinet or for exhausting to the outside. *USE OF PLASTIC OR OTHER COMBUSTIBLE DUCTWORK CAN CAUSE A FIRE. PUNCTURED DUCTWORK CAN CAUSE A FIRE IF IT COLLAPSES OR BECOMES OTHERWISE RESTRICTED IN USE OR DURING INSTALLATION.***

For complete details, follow the Installation Instructions.

# IMPORTANT SAFETY INFORMATION. READ ALL INSTRUCTIONS BEFORE USING.

## ⚠ **WARNING!**



### YOUR LAUNDRY AREA

- Keep the area underneath and around your appliances free of combustible materials (lint, paper, rags, etc.), gasoline, chemicals, and other flammable vapors and liquids.
- Keep the floor around your appliances clean and dry to reduce the possibility of slipping.
- Close supervision is necessary if this appliance is used by or near children. Do not allow children to play on, with, or inside this or any other appliance.
- Keep all laundry aids (such as detergents, bleaches, etc.) out of the reach of children, preferably in a locked cabinet. Observe all warnings on container labels to avoid injury.
- Never climb on or stand on the dryer top.



### WHEN USING YOUR DRYER

- Never reach into the dryer while the drum is moving. Before loading, unloading or adding clothes, wait until the drum has completely stopped.
- Clean the lint filter before each load to prevent lint accumulation inside the dryer or in the room. **DO NOT OPERATE THE DRYER WITHOUT THE LINT FILTER IN PLACE.**
- Do not wash or dry articles that have been cleaned in, washed in, soaked in, or spotted with combustible or explosive substances (such as wax, oil, paint, gasoline, degreasers, dry-cleaning solvents, kerosene, etc.) which may ignite or explode. Do not add these substances to the wash water. Do not use or place these substances around your washer or dryer during operation.
- Do not place items exposed to cooking oils in your dryer. Items contaminated with cooking oils may contribute to a chemical reaction that could cause a clothes load to catch fire.
- Any article on which you have used a cleaning solvent or that contains flammable materials (such as cleaning cloths, mops, towels used in beauty salons, restaurants, or barber shops, etc.) must not be placed in or near the dryer until solvents or flammable materials have been removed. There are many highly flammable items used in homes such as acetone, denatured alcohol, gasoline, kerosene, some household cleaners, some spot removers, turpentine, waxes, wax removers and products containing petroleum distillates.
- The laundry process can reduce the flame retardancy of fabrics. To avoid such a result, carefully follow the garment manufacturer's care instructions.
- Do not dry articles containing rubber, plastic, foam, or similar materials such as padded bras, tennis shoes, galoshes, bath mats, rugs, bibs, baby pants, plastic bags, pillows, etc., that may melt or burn. Some rubber materials, when heated, can under certain circumstances produce fire by spontaneous combustion.
- Do not store plastic, paper or clothing that may burn or melt on top of the dryer during operation.
- Garments labeled *Dry Away from Heat* or *Do Not Tumble Dry* (such as life jackets containing Kapok) must not be put in your dryer.
- Do not dry fiberglass articles in your dryer. Skin irritation could result from the remaining particles that may be picked up by clothing during subsequent dryer uses.
- To minimize the possibility of electric shock, unplug this appliance from the power supply or disconnect the dryer at the household distribution panel by removing the fuse or switching off the circuit breaker before attempting any maintenance or cleaning (except the removal and cleaning of the lint filter). **NOTE:** Turning the Cycle Selector knob to an **OFF** position does **NOT** disconnect the appliance from the power supply.

- Never attempt to operate this appliance if it is damaged, malfunctioning, partially disassembled, or has missing or broken parts, including a damaged cord or plug.
- The interior of the machine and the exhaust duct connection inside the dryer should be cleaned at least once a year by a qualified technician. See the *Loading and Using the Dryer* section.
- If yours is a gas dryer, it is equipped with an automatic electric ignition and does not have a pilot light. **DO NOT ATTEMPT TO LIGHT WITH A MATCH.** Burns may result from having your hand in the vicinity of the burner when the automatic ignition turns on.
- You may wish to soften your laundered fabrics or reduce the static electricity in them by using a dryer-applied fabric softener or an anti-static conditioner. We recommend you use either a fabric softener in the wash cycle, according to the manufacturer's instructions for those products, or try a dryer-added product for which the manufacturer gives written assurance on the package that their product can be safely used in your dryer. Service or performance problems caused by use of these products are the responsibility of the manufacturers of those products and are not covered under the warranty to this appliance.



## WHEN NOT USING YOUR DRYER

- Grasp the plug firmly when disconnecting this appliance to avoid damage to the cord while pulling. Place the cord away from traffic areas so it will not be stepped on, tripped over or subjected to damage.
- Do not attempt to repair or replace any part of this appliance or attempt any servicing unless specifically recommended in this Owner's Manual or in published user-repair instructions that you understand and have the skills to carry out.
- Before discarding a dryer, or removing it from service, remove the dryer door to prevent children from hiding inside.
- Do not tamper with controls.



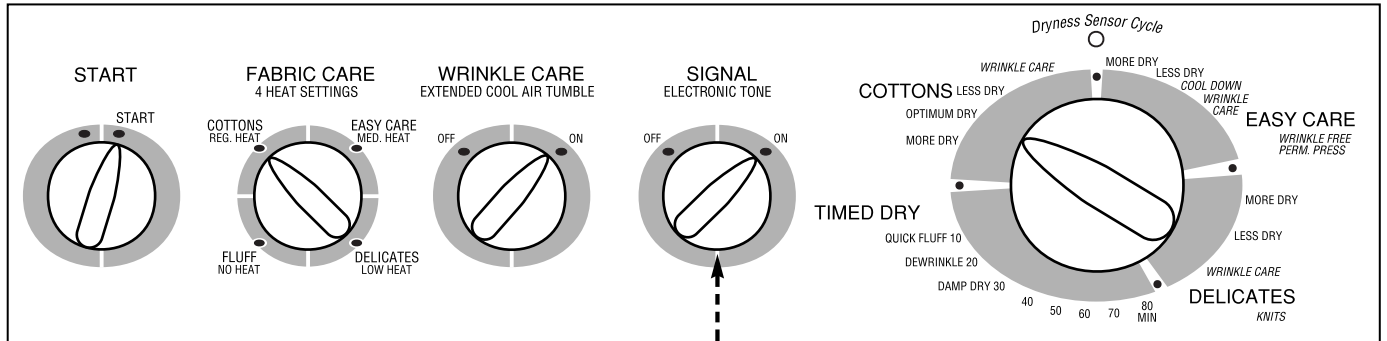
*Read and follow this Safety Information carefully.*

## **SAVE THESE INSTRUCTIONS**

# About the dryer control panel.

You can locate your model number on the label on the front of the dryer behind the door. Throughout this manual, features and appearance may vary from your model.

## Model Type 405



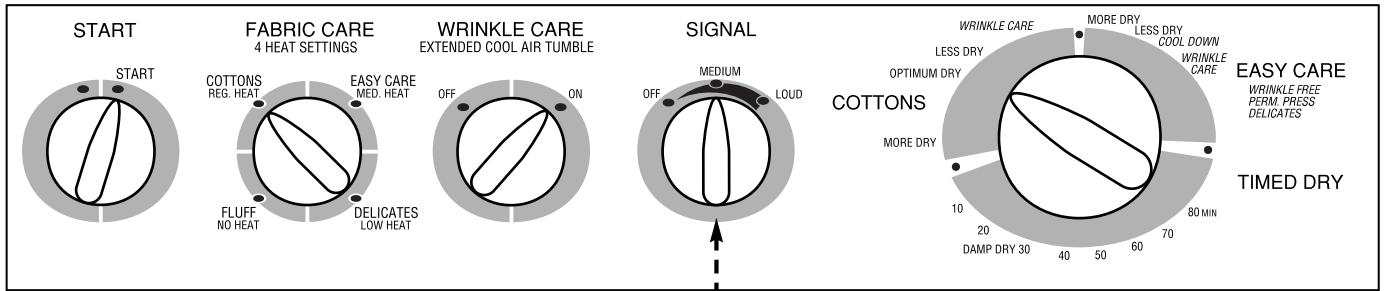
3

1

Optional Feature, on some models

2

## Model Type 465



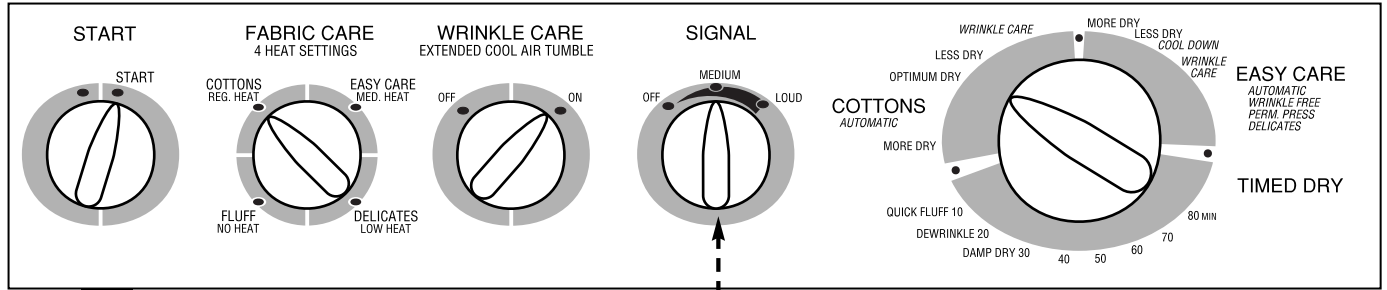
3

1

Optional Feature, on some models

2

## Model Type 483



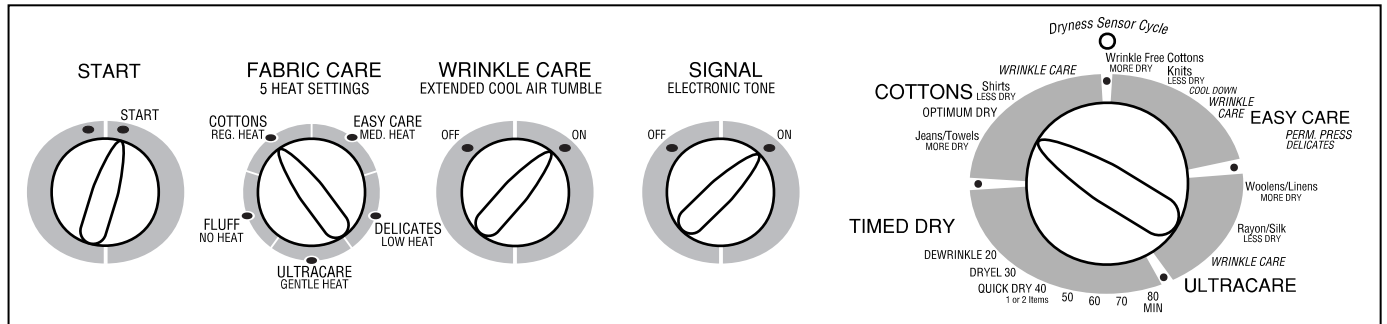
3

1

Optional Feature, on some models

2

## Model Type 513



3

1

2



## Control Settings

**IMPORTANT:** Clean the lint filter each time you use the dryer.

### 1 Fabric Care

**COTTONS  
REG. HEAT** For regular to heavy cottons.

**EASY CARE  
MED. HEAT** For synthetics, blends, delicates and items labeled *permanent press*.

**FLUFF  
NO HEAT** For *fluffing* items without heat. Use the **TIMED DRY** cycle.

**DELICATES  
LOW HEAT** For delicates, synthetics and items labeled *tumble dry low*.

**ULTRACARE  
GENTLE HEAT** For lingerie and special-care fabrics.

### 2 Drying Cycles—Automatic cycles automatically determine fabric dryness. Select **MORE DRY** for heavier fabrics, **LESS DRY** for lighter fabrics. Timed cycles run for the selected time.

**COTTONS** For cottons and most linens. For most loads select **OPTIMUM DRY**.

**EASY CARE** For wrinkle-free, permanent press and delicate items, and knits.

**ULTRACARE** For special-care fabrics such as rayons, woolens, and silks.

**TIMED DRY** Set the Cycle Selector at the desired drying time.

**DAMP DRY** For leaving items partially dry.

**QUICK DRY** For one or two items.

**DRYEL®** For use with DRYEL "dry clean only" fabric care system. Use the **MED-HEAT** fabric care setting. See product package for instructions.

**DEWRINKLE** For removing wrinkles from items that are clean and dry or that are very lightly damp.

**QUICK FLUFF** For freshening or fluffing up already dry clothing, fabric, linens, and pillows. Use with **FLUFF NO HEAT**. Provides 10 minutes of no-heat tumbling.

### 3 Start—Close the dryer door. Select **START**. Opening the door during operation will stop the dryer. To restart the dryer, close the door and select **START** to complete the cycle.

#### NOTE:

**Drying times will vary according to the type of heat used (Electric, Natural or LP gas), size of load, types of fabrics, wetness of clothes, and condition of exhaust ducts.**

## About your dryer features.

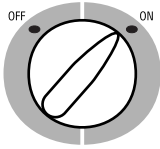
### Color Logic

Select the correct **FABRIC CARE** setting. Match the particular color below the words with the same color on the Cycle Dial.

**Example:** *Drying a load of clothing labeled permanent press.*

- 1 Choose the **FABRIC CARE** setting—for this load it would be the **EASY CARE MED. HEAT** (which is a particular color).
- 2 Turn the Cycle Dial to the area that has the same color as the **FABRIC CARE** setting you have chosen—for this load it would be the **EASY CARE AUTOMATIC**.

WRINKLE CARE  
EXTENDED COOL AIR TUMBLE



### Wrinkle Care

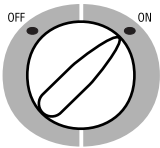
Use this option to minimize the wrinkles in clothes. It provides approximately 15 minutes of no-heat tumbling after the clothes are dry.

This option can only be used with the **COTTONS**, **EASY CARE**, **DELICATES**, and **ULTRACARE** cycles. If you are using the **CYCLE SIGNAL** and you select the **WRINKLE CARE**

option, a signal will sound at the end of the drying time and several times during the **WRINKLE CARE** cycle. This will remind you that it is time to remove the clothes.

If **WRINKLE CARE** is not **ON**, the dryer will stop once the timer reaches the **WRINKLE CARE** mark on the cycle dial.

SIGNAL  
ELECTRONIC TONE



(appearance may vary)

### End of Cycle Signal

This signal will sound just before the end of the cycle to remind you to remove the clothes. On some models, the signal sound level can be adjusted.

If you selected the **WRINKLE CARE** option the signal will sound at the end of the drying time and will sound several times during the **WRINKLE CARE** cycle. This will remind you that it is time to remove the clothes.

#### NOTE:

- **Remove garments promptly at the sound of the signal. Place clothes on hangers so wrinkles won't set in.**
- **Use the END OF CYCLE SIGNAL especially when drying fabrics like polyester knits and permanent press. These fabrics should be removed so wrinkles won't set in.**

### Dryness Sensor Cycle

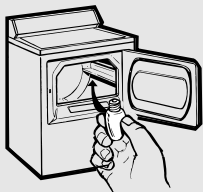
### Dryness Sensor Cycle—on some models

This feature is only activated in the **COTTONS**, **EASY CARE**, **DELICATES**, and **ULTRACARE** cycles.

The **Dryness Sensor** provides greater drying accuracy than standard machines, resulting in shorter dry times and better clothes care. As the clothes tumble, they touch a moisture sensor. The sensor will stop the heating cycle as soon as the clothes have reached the selected dryness.

On some models, there is a **Dryness Sensor Cycle** indicator light. This light is illuminated during automatic cycles. When the **Dryness Sensor** feature stops the heating cycle, the light will go out and the cool down period will begin.

**Note:** The clothes will be hot if they are removed immediately after the indicator light goes out.



### Drum Lamp

Before replacing the light bulb, be sure to unplug the dryer power cord or disconnect the dryer at the household distribution panel by removing the fuse or switching off the

circuit breaker. Reach above dryer opening from inside the drum. Remove the bulb and replace with the same size bulb.

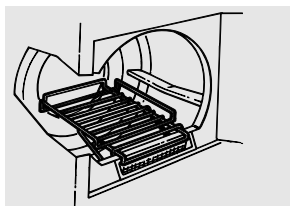
### Automatic Cycle Signal

### Automatic Cycle Signal—on some models

At the end of each cycle there is approximately 15 minutes of no-heat tumbling after the laundry is dry.

A reminder signal will sound periodically during this time to remind you to remove the laundry.





### Drying Rack—on some models

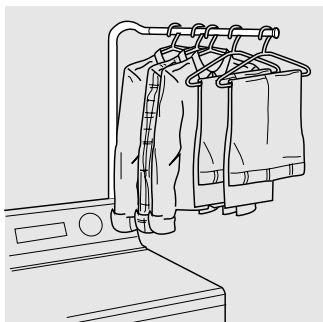
A handy drying rack may be used for drying articles such as stuffed toys, pillows or washable sweaters.

Hook the rack over the lint filter so the rack extends into the dryer drum.

#### NOTE:

- The drying rack must be used with the **TIMED CYCLE**.
- Do not use this drying rack when there are other clothes in the dryer.

## About the drying center (on some models).



### ⚠ WARNING!

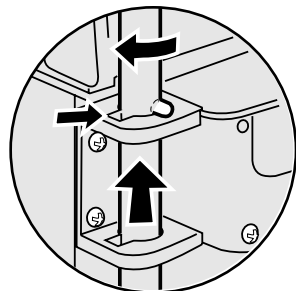
- Do not overload the Drying Center. It may be damaged if more than 20 lbs. are applied.
- Always store the Drying Center in a safe position so that it does not hit anyone.
- Do not allow children to play with the Drying Center.

The pole on the Drying Center can be set at different heights. Line up the tabs on the pole with the notch on the brackets (this will occur when the pole is parallel to the control panel) and raise or lower the pole, resting the tab on the bracket at the height you want.

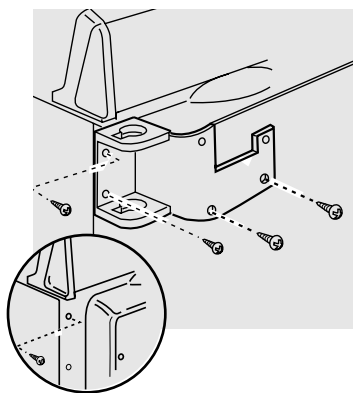
### The Drying Center can be mounted on either side of the dryer.

To remove and transfer the Drying Center to the opposite side:

- 1 Remove the pole by raising it up. Make sure to line up the tabs on the pole with the notches on the bracket.



- 2 Remove the four screws that secure the bracket to the dryer. Three of the screws will be required to mount the bracket on the other side. The fourth screw at the top of the side panel flange (shown in circled illustration) needs to be put back into its original location.



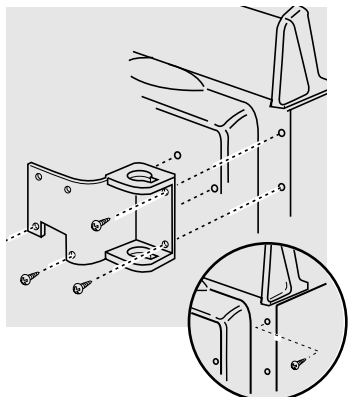
- 3 On the other side of the dryer remove the screw at the top of the side panel flange (shown in circled illustration).

- 4 Turn the bracket upside down and attach it with the screw you just removed and with the three screws that were removed from the other side.

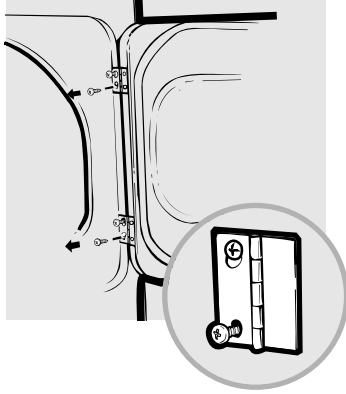
### ⚠ WARNING!

Make sure you use only these screws. Never use any long screws (must be less than 3/8") or pointed screws.

- 5 Insert the pole into the mounting bracket.



## About reversing the door.

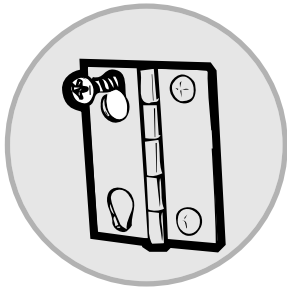


### Reversing the Door

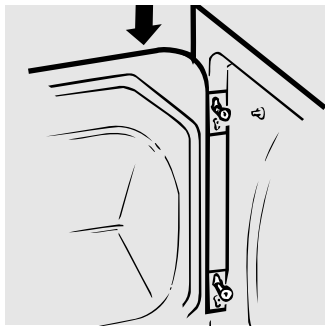
Tools needed:

- Standard #2 Phillips screwdriver
- Tape-tipped putty knife
- Needle-nosed pliers

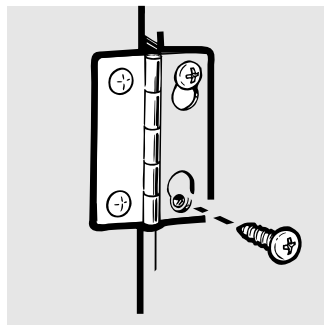
- 1 Open the door and remove the filler plugs opposite the hinges. With the door completely open, remove the bottom screw from each hinge on the dryer face. Insert these screws about half way into the **TOP** holes, for each hinge, on the opposite side (where you removed the filler plugs). Apply firm pressure to get the screw started in untapped holes.



- 2 Loosen top screw from each hinge on the dryer face half way. With one hand holding the top of the door and the other hand holding the bottom, remove the door from the dryer by lifting it **UP** and **OUT**.



- 3 Rotate the door 180°. Insert it on the opposite side of the opening by moving the door **IN** and **DOWN** until the top hinge and the bottom hinge are resting on the top screws inserted in step 1.



- 4 Remove the remaining screws from the side of the opening from which the door was removed. With these screws secure each hinge at the bottom. Tighten the two top screws of each hinge. Reinsert the plastic plugs on the side from which the door was removed.

# Loading and using the dryer.

Always follow the fabric manufacturer's care label when laundering.



## Sorting and Loading Hints

As a general rule, if clothes are sorted properly for the washer, they are sorted properly for the dryer.

Do not add fabric softener sheets once the load has become warm. They may cause fabric softener stains. Bounce® Fabric Conditioner Dryer Sheets have been approved for use in all GE Dryers when used in accordance with the manufacturer's instructions.

**Do not overload.** This wastes energy and causes wrinkling.

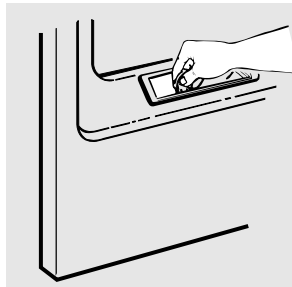
**Do not dry the following items:** fiberglass items, woolsens, rubber-coated items, plastics, items with plastic trim and foam-filled items.



## Care and Cleaning of the Dryer

**The Exterior:** Wipe or dust any spills or washing compounds with a damp cloth. Dryer control panel and finishes may be damaged by some laundry pretreatment soil and stain remover products. Apply these products away from the dryer. The fabric may then be washed and dried normally. Damage to your dryer caused by these products is not covered by your warranty.

**The Lint Filter:** Clean the lint filter before each use. Moisten your fingers and reach into the filter opening. Run your fingers across the filter. Have a qualified technician vacuum the lint from the dryer once a year.



**The Exhaust Duct:** Inspect and clean the exhaust ducting at least once a year to prevent clogging. A partially clogged exhaust can lengthen the drying time.

Follow these steps:

- 1 Turn off electrical supply by disconnecting the plug from the wall socket.
- 2 Disconnect the duct from the dryer.
- 3 Vacuum the duct with the hose attachment and reconnect the duct.

**The Exhaust Hood:** Check with a mirror that the inside flaps of the hood move freely when operating. Make sure that there is not wildlife (birds, insects, etc.) nesting inside the duct or hood.



## Fabric Care Labels

Below are fabric care label "symbols" that affect the clothing you will be laundering.

### WASH LABELS

Machine wash cycle						
Water temperature						

### BLEACH LABELS

Bleach symbols			
----------------	--	--	--

### DRY LABELS

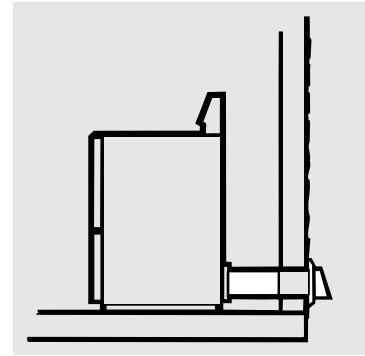
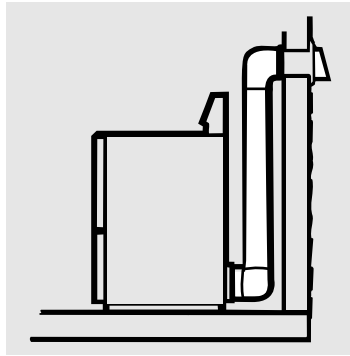
Tumble dry						
Heat setting						
Special instructions						

## Venting the dryer.

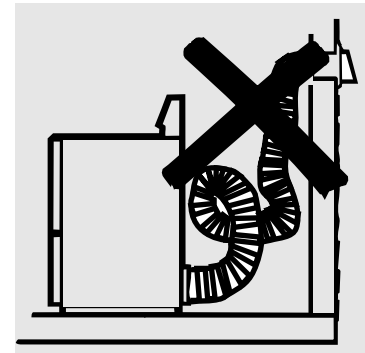
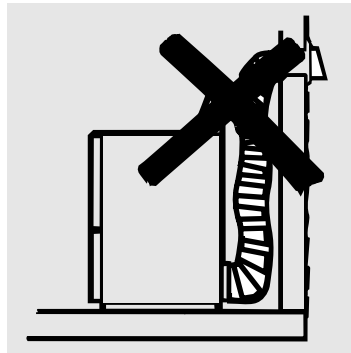
For the best drying performance the dryer needs to be properly vented. **The dryer will use more energy and run longer if it is not vented to the below specifications. Carefully follow the details on Exhausting in the Installation Instructions.**

- Use only rigid metal or flexible metal 4" diameter ductwork inside the dryer cabinet or for exhausting to the outside.
- Do not use plastic or other combustible ductwork.
- Use the shortest length possible.
- Do not crush or collapse.
- Avoid resting the duct on sharp objects.
- **Venting must conform to local building codes.**

**Correct Venting**



**Incorrect Venting**



## Before you call for service...



**Troubleshooting Tips**  
Save time and money! Review the charts on the following pages first and you may not need to call for service.

<b>Problem</b>	<b>Possible Causes</b>	<b>What To Do</b>
<b>Dryer doesn't start</b>	<b>Dryer is unplugged</b>	<ul style="list-style-type: none"> <li>• Make sure the dryer plug is pushed completely into the outlet.</li> </ul>
	<b>Fuse is blown/circuit breaker is tripped</b>	<ul style="list-style-type: none"> <li>• Check the house fuse/circuit breaker box and replace fuse or reset breaker. <b>NOTE:</b> Most electric dryers use two fuses/breakers.</li> </ul>
<b>Dryer doesn't heat</b>	<b>Fuse is blown/circuit breaker is tripped, the dryer may tumble but not heat</b>	<ul style="list-style-type: none"> <li>• Check the house fuse/circuit breaker box and replace fuse or reset breaker.</li> </ul>
	<b>Gas service is off</b>	<ul style="list-style-type: none"> <li>• Make sure gas shutoff at dryer and main shutoff are fully open.</li> </ul>
<b>Dryer shakes or makes noise</b>	<b>Some shaking/ noise is normal. Dryer may be sitting unevenly</b>	<ul style="list-style-type: none"> <li>• Move dryer to an even floor space, or adjust leveling legs as necessary until even.</li> </ul>
<b>Greasy spots on clothes</b>	<b>Improper use of fabric softener</b>	<ul style="list-style-type: none"> <li>• Follow directions on fabric softener package.</li> </ul>
	<b>Drying dirty items with clean ones</b>	<ul style="list-style-type: none"> <li>• Use your dryer to dry only clean items. Dirty items can stain clean items and the dryer.</li> </ul>
	<b>Clothes were not completely clean</b>	<ul style="list-style-type: none"> <li>• Sometimes stains which cannot be seen when the clothes are wet <i>appear</i> after drying. Use proper washing procedures before drying.</li> </ul>
<b>Lint on clothes</b>	<b>Lint filter is full</b>	<ul style="list-style-type: none"> <li>• Clean lint screen before each load.</li> </ul>
	<b>Improper sorting</b>	<ul style="list-style-type: none"> <li>• Sort lint producers (like chenille) from lint collectors (like corduroy).</li> </ul>
	<b>Static electricity can attract lint</b>	<ul style="list-style-type: none"> <li>• See suggestions in this section under <b>STATIC</b>.</li> </ul>
	<b>Overloading</b>	<ul style="list-style-type: none"> <li>• Separate large loads into smaller ones.</li> </ul>
	<b>Paper, tissue, etc., left in pockets</b>	<ul style="list-style-type: none"> <li>• Empty all pockets before laundering clothes.</li> </ul>
<b>Static occurs</b>	<b>No fabric softener was used</b>	<ul style="list-style-type: none"> <li>• Try a fabric softener.</li> <li>• Bounce® Fabric Conditioner Dryer Sheets have been approved for use in all GE Dryers when used in accordance with the manufacturer's instructions.</li> </ul>
	<b>Overdrying</b>	<ul style="list-style-type: none"> <li>• Try a fabric softener.</li> <li>• Adjust controls for less drying.</li> </ul>
	<b>Synthetics, permanent press and blends can cause static</b>	<ul style="list-style-type: none"> <li>• Try a fabric softener.</li> </ul>
<b>Inconsistent drying times</b>	<b>Type of heat</b>	<ul style="list-style-type: none"> <li>• Automatic drying times will vary according to the type of heat used (electric, natural or LP gas), size of load, types of fabrics, wetness of clothes and condition of exhaust ducts.</li> </ul>

## Before you call for service...

<b>Problem</b>	<b>Possible Causes</b>	<b>What To Do</b>
<b>Clothes take too long to dry</b>	<b>Improper sorting</b>	<ul style="list-style-type: none"> <li>Separate heavy items from lightweight items (generally, a well-sorted washer load is a well-sorted dryer load).</li> </ul>
	<b>Large loads of heavy fabrics (like beach towels)</b>	<ul style="list-style-type: none"> <li>Large, heavy fabrics contain more moisture and take longer to dry. Separate large, heavy fabrics into smaller loads to speed drying time.</li> </ul>
	<b>Controls improperly set</b>	<ul style="list-style-type: none"> <li>Match control settings to the load you are drying.</li> </ul>
	<b>Lint filter is full</b>	<ul style="list-style-type: none"> <li>Clean lint filter before every load.</li> </ul>
	<b>Improper or obstructed ducting</b>	<ul style="list-style-type: none"> <li>Check installation instructions for proper ducting/venting.</li> <li>Make sure ducting is clean, free of kinks and unobstructed.</li> <li>Check to see if outside wall damper operates easily.</li> <li>Check the Installation Instructions to make sure the dryer venting is correct.</li> </ul>
	<b>Blown fuses or tripped circuit breaker</b>	<ul style="list-style-type: none"> <li>Replace fuses or reset circuit breakers. Since most dryers use 2 fuses/breakers, make sure both are operating.</li> </ul>
	<b>Overloading/combining loads</b>	<ul style="list-style-type: none"> <li>Do not put more than one washer load in the dryer at a time.</li> </ul>
<b>Clothes are wrinkled</b>	<b>Underloading</b>	<ul style="list-style-type: none"> <li>If you are drying only one or two items, add a few items to ensure proper tumbling.</li> </ul>
	<b>Overdrying</b>	<ul style="list-style-type: none"> <li>Select a shorter drying time.</li> <li>Remove items while they still hold a slight amount of moisture.</li> </ul>
<b>Clothes shrink</b>	<b>Letting items sit in dryer after cycle ends</b>	<ul style="list-style-type: none"> <li>Remove items when cycle ends and fold or hang immediately.</li> </ul>
	<b>Some fabrics will naturally shrink when washed. Others can be safely washed, but will shrink in the dryer</b>	<ul style="list-style-type: none"> <li>To avoid shrinkage, follow garment care labels exactly.</li> <li>Some items may be pressed back into shape after drying.</li> <li>If you are concerned about shrinkage in a particular item, do not machine wash or tumble dry it.</li> </ul>

## GE Service Protection Plus™

GE, a name recognized worldwide for quality and dependability, offers you Service Protection Plus™—comprehensive protection on all your appliances—**No Matter What Brand!**

**Benefits Include:**

- Backed by GE
- All brands covered
- Unlimited service calls
- All parts and labor costs included
- No out-of-pocket expenses
- No hidden deductibles
- One 800 number to call

***We'll Cover Any Appliance.  
Anywhere. Anytime.\****

You will be completely satisfied with our service protection or you may request your money back on the remaining value of your contract. No questions asked. It's that simple.

Protect your refrigerator, dishwasher, washer and dryer, range, TV, VCR and much more—**any brand!** Plus there's no extra charge for emergency service and low monthly financing is available. Even icemaker coverage and food spoilage protection is offered. You can rest easy, knowing that all your valuable household products are protected against expensive repairs.

Place your confidence in GE and call us in the U.S. toll-free at **800-626-2224** for more information.

\*All brands covered, up to 20 years old, in the continental U.S.



Please place in envelope and mail to:

***General Electric Company***  
**Warranty Registration Department**  
**P.O. Box 32150**  
**Louisville, KY 40232-2150**

# Consumer Product Ownership Registration

Dear Customer:

Thank you for purchasing our product and thank you for placing your confidence in us.

We are proud to have you as a customer!

Follow these three steps to protect your new appliance investment:

**1** Complete and mail your Consumer Product Ownership Registration today. Have the peace of mind of knowing we can contact you in the unlikely event of a safety modification.


**2** After mailing the registration below, store this document in a safe place. It contains information you will need should you require service. Our service number is 800 GE CARES (800-432-2737).

**3** Read your Owner's Manual carefully. It will help you operate your new appliance properly. If you have questions, or need more information, call the GE Answer Center® 800.626.2000.

Model Number

Serial Number

**Important: If you did not get a registration card with your product, detach and return the form below to ensure that your product is registered, or register online at [www.geappliances.com](http://www.geappliances.com).**

 Cut here

## Consumer Product Ownership Registration



Model Number

Serial Number

Mr.  Ms.  Mrs.  Miss

First Name

Last Name

Street Address

Apt. #

E-mail Address

City

State

Zip Code

Date Placed In Use  
Month

Day

Year

Phone Number  -  -

Occasionally, we may allow selected companies to send you information.

Check here if you do not want this information.



**GE Appliances**

General Electric Company  
Louisville, Kentucky  
[www.geappliances.com](http://www.geappliances.com)



**Notes.**

---

<b><i>Safety Instructions</i></b>	<b><i>Operating Instructions</i></b>	<b><i>Installation Instructions</i></b>	<b><i>Troubleshooting Tips</i></b>	<b><i>Customer Service</i></b>
-----------------------------------	--------------------------------------	---	------------------------------------	--------------------------------

**Customer Service**

**Troubleshooting Tips**

**Operating Instructions**

**Safety Instructions**

**Notes.**

---

# GE Dryer Warranty *(For customers in the United States)*



All warranty service provided by our Factory Service Centers, or an authorized Customer Care® technician. For service, call 800-GE-CARES.

This warranty is valid only in the United States. Warranty may vary in Canada. See your approved Profile dealer for details.

<b>For The Period Of:</b>	<b>GE Will Replace:</b>
<b>One Year</b> <i>From the date of the original purchase</i>	<b>Any part</b> of the dryer which fails due to a defect in materials or workmanship. During this <b>full one-year warranty</b> , GE will also provide, <b>free of charge</b> , all labor and in-home service to replace the defective part.
<b>Five Years</b> <i>From the date of the original purchase</i>	<b>Any extra large or super capacity dryer drum</b> which fails due to a defect in materials or workmanship. During this <b>additional four-year limited warranty</b> , you will be responsible for any labor or in-home service costs.

## What GE Will Not Cover:

- Service trips to your home to teach you how to use the product.
- Improper installation.
- Failure of the product if it is abused, misused, or used for other than the intended purpose or used commercially.
- Replacement of house fuses or resetting of circuit breakers.
- Damage to the product caused by accident, fire, floods or acts of God.
- Incidental or consequential damage to personal property caused by possible defects with this appliance.

*This warranty is extended to the original purchaser and any succeeding owner for products purchased for home use within the USA. In Alaska, the warranty excludes the cost of shipping or service calls to your home.*

*Some states do not allow the exclusion or limitation of incidental or consequential damages. This warranty gives you specific legal rights, and you may also have other rights which vary from state to state. To know what your legal rights are, consult your local or state consumer affairs office or your state's Attorney General.*

**Warrantor: General Electric Company. Louisville, KY 40225**

Mesures de sécurité .....21-23

### Directives de fonctionnement

Autres caractéristiques .....26, 27  
Centre de séchage .....27  
Évacuation de la sècheuse .....30  
Inversion de l'ouverture de la porte .....28  
Tableaux de commande .....24, 25  
Utilisation de la sècheuse .....29

Conseils de dépannage .....31, 32

### Service à la clientèle

Garantie pour la clientèle aux États-Unis .....34  
Numéros de service .....35

## Un partenariat de service.



### IMPORTANT!

Remplir la carte d'enregistrement du produit de consommation.

#### Deux moyens faciles d'enregistrer votre appareil ménager!

- Par l'internet à [www.geappliances.com](http://www.geappliances.com)
- Remplir et poster la carte d'enregistrement du produit ci-jointe



### À CONSERVER SOIGNEUSEMENT

Transcrivez les numéros de modèle et de série ici.

N° \_\_\_\_\_

N° \_\_\_\_\_

Vous les trouverez derrière le tableau de commande.



### LISEZ VOTRE MANUEL

Vous y trouverez de nombreux conseils pour l'utilisation et l'entretien de votre sècheuse. Ces quelques mesures préventives vous permettront d'économiser du temps et de l'argent, et, ainsi, de prolonger la vie de votre sècheuse.



### ÉVACUATION CORRECTE

Pour un meilleur rendement, la sècheuse doit être correctement évacuée. La sècheuse usera plus d'énergie et fonctionnera pendant plus longtemps si elle n'est pas évacuée suivant les consignes données dans la section *Évacuation de la sècheuse* et dans la section *Évacuation* dans les Directives d'installation.



### SI VOUS AVEZ BESOIN DE SERVICE

Vous trouverez des solutions aux problèmes courants que vous pourriez rencontrer dans la section *Avant d'appeler un réparateur*. Et, en consultant d'abord nos *Conseils de dépannage*, vous pourrez peut-être éviter de faire appel à un réparateur.

Si vous avez besoin de service, vous savez que vous n'avez qu'à nous téléphoner. Vous trouverez à la fin du présent manuel les numéros sans frais du service à la clientèle. **Aux États-Unis**, vous pouvez appeler 24 heures par jour, 7 jours par semaine au GE Answer Center®, 800.626.2000. **Au Canada**, appelez le 1-800-361-3400.

# MESURES DE SÉCURITÉ IMPORTANTES. LISEZ D'ABORD TOUTES LES DIRECTIVES.

## **▲ MISE EN GARDE!**

*Pour votre sécurité, suivez les directives fournies dans le présent manuel afin de minimiser les risques d'incendie, d'explosion et de chocs électriques et prévenir des dégâts matériels et des blessures graves or mortelles.*

■ **N'entreposez pas ou n'utilisez pas d'essence ou autres vapeurs ou liquides inflammables à proximité de cet appareil ou de tout autre électroménager.**

■ **L'installation et les réparations doivent être effectuées par un installateur qualifié, une entreprise de réparation ou votre fournisseur de gaz.**

## **SI VOUS REMARQUEZ UNE ODEUR DE GAZ :**

**1** Ne faites fonctionner aucun appareil électrique.

**2** N'actionnez aucun interrupteur; n'utilisez aucun téléphone dans votre édifice.

**3** Évacuez la pièce, l'édifice ou les environs.

**4** Appelez immédiatement votre fournisseur de gaz en utilisant le téléphone d'un voisin. Suivez les directives qu'il vous donnera.

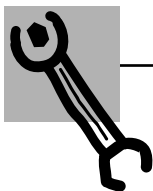
**5** Si vous ne pouvez joindre votre fournisseur de gaz, appelez les pompiers.

### *Loi sur les produits toxiques et l'eau potable de la Californie*

En vertu de cette loi, le Gouverneur de la Californie est tenu de publier une liste des substances reconnues par l'État comme pouvant causer le cancer, des malformations congénitales ou autres problèmes du genre et d'obliger les entreprises à avertir leurs clients de toute exposition potentielle à de telles substances.

Les électroménagers à gaz peuvent entraîner une exposition mineure à quatre de ces substances, en l'occurrence le benzène, le monoxyde de carbone, le formaldéhyde ou la suie, attribuables principalement à la combustion incomplète du gaz naturel ou du gaz de pétrole liquéfié.

Une sècheuse bien réglée réduit au minimum les risques de combustion incomplète. Pour réduire au minimum l'exposition à ces substances, faites évacuer l'air de la sècheuse à l'extérieur.



## **UNE INSTALLATION ADÉQUATE**

*Avant d'utiliser votre sècheuse, assurez-vous qu'elle a été adéquatement installée, conformément aux Directives d'installation. Si vous n'avez pas reçu de Directives d'installation avec votre sècheuse, appelez sans frais aux États-Unis au Centre de réponse GE au 800-626-2000. Au Canada appelez sans frais au 1-800-361-3400.*

■ Mettez l'appareil à la terre conformément à tous les codes et règlements en vigueur. Suivez les Directives d'installation.

■ Installez ou entreposez l'appareil dans une pièce où la température est supérieure à 0 °C. et où elle sera à l'abri des intempéries.

■ Branchez l'appareil sur un circuit protégé et de capacité appropriée afin d'éviter toute surcharge électrique.

■ Retirez tous les articles tranchants d'emballage et jetez tous les matériaux de transport.

### *Conduit d'évacuation :*

**1** L'air des sècheuses à gaz **DOIT** être évacué à l'extérieur.

**2** Il est **fortement recommandé** d'évacuer l'air des sècheuses électriques à l'extérieur afin d'éviter l'accumulation d'une grande quantité d'humidité et de charpie dans la pièce. Suivez les consignes données pour l'évacuation dans les Directives d'installation.

**3** N'utilisez qu'un conduit métallique rigide ou souple de 4 po de diamètre à l'intérieur de la carrosserie de la sècheuse ou pour l'évacuation vers l'extérieur. **L'UTILISATION D'UN CONDUIT DE PLASTIQUE OU FABRIQUÉ AVEC TOUT AUTRE MATÉRIAU COMBUSTIBLE PEUT CAUSER UN INCENDIE. LORSQU'UN CONDUIT EST PERFORÉ OU DEVIENT OBSTRUÉ AU COURS DE L'UTILISATION OU DE L'INSTALLATION, IL PEUT CAUSER UN INCENDIE.**

Pour plus de détails, suivez les Directives d'installation.

# MESURES DE SÉCURITÉ IMPORTANTES. LISEZ D'ABORD TOUTES LES DIRECTIVES.

## ⚠ MISE EN GARDE!



### AUTOUR DE VOTRE SÈCHEUSE

- Ne laissez pas s'accumuler autour et au-dessous de vos électroménagers des matériaux combustibles, comme de la charpie, du papier, des chiffons, des produits chimiques, etc.
- Gardez le sol propre et sec à proximité de vos électroménagers afin de ne pas glisser.
- Il faut exercer une étroite surveillance lorsque vous faites fonctionner cet appareil en présence d'enfants. Ne les laissez pas jouer avec l'appareil ni monter dessus, ou s'introduire à l'intérieur d'un vieil appareil qui ne sert plus.
- Gardez tous les produits pour la lessive (comme les détergents, la Javel, etc.) en dehors de la portée des enfants, de préférence dans une armoire fermée à clé. Suivez toutes les mises en garde sur les étiquettes pour éviter des blessures.
- Ne montez jamais sur le dessus de la sècheuse.



### LORSQUE VOUS UTILISEZ LA SÈCHEUSES

- Ne vous penchez jamais dans la sècheuse pendant que le tambour tourne. Avant de charger ou décharger la sècheuse ou d'y ajouter des vêtements, attendez que le tambour se soit complètement arrêté.
- Avant chaque séchage, nettoyez le filtre à charpie afin de prévenir l'accumulation de charpie à l'intérieur de la sècheuse ou dans la pièce. **NE FAITES PAS FONCTIONNER LA SÈCHEUSE SANS LE FILTRE À CHARPIE.**
- Il ne faut pas mettre dans la sècheuse, ou à proximité de celle-ci, tout article ayant été utilisé avec un solvant dégraissant ou contenant une substance inflammable (comme des chiffons de nettoyage, des vadrouilles, des serviettes utilisées dans les salons de coiffure, etc.), à moins qu'ils aient été débarrassés de toute trace et toute vapeur de substance inflammable. On utilise à la maison de nombreux produits inflammables : acétone, alcool dénaturé, essence, kérosène, nettoyants ménagers, détachants, térébenthine, cire, décapants, contenant du distillat de pétrole.
- Ne rangez pas dans votre sècheuse des articles qui ont été en contact avec des huiles de cuisson; ceux-ci peuvent provoquer une réaction chimique susceptible de faire s'enflammer vos vêtements.
- Ne lavez pas ou ne faites pas sécher des articles qui ont été lavés avec des produits combustibles ou explosifs, ou qui ont été trempés dans ces produits ou qui en sont tachés (cire, peinture, huile, essence, dégraissants, solvants pour le nettoyage à sec, kérosène, etc.) car ils risquent de s'enflammer ou d'exploser. Ne versez pas ces substances dans l'eau de la laveuse. N'utilisez pas ces substances à proximité de votre laveuse ou de votre sècheuse pendant qu'elles fonctionnent.
- La lessive peut atténuer les propriétés ignifugeantes des tissus. Pour éviter cette situation, suivez à la lettre les directives données par le fabricant du vêtement.
- Ne faites pas sécher des articles contenant du caoutchouc, du plastique, de la mousse ou autres matériaux similaires (comme des soutiens-gorge préformés, des chaussures de tennis, des caoutchoucs, des tapis de bain, des carpettes, des bavoirs, des culottes de bébé, des sacs de plastique, des oreillers, etc.) car ces matériaux peuvent fondre ou brûler. De plus, dans certaines circonstances, certains matériaux de caoutchouc peuvent causer un incendie par combustion spontanée lorsqu'ils sont chauffés.
- Ne rangez pas des articles qui peuvent fondre ou brûler, comme du plastique, papier, ou des vêtements sur le dessus de la sècheuse pendant qu'elle fonctionne.
- Les vêtements portant la mention «Faire sécher loin de la chaleur» ou «Ne faites pas sécher par culbutage» (comme les gilets de sauvetage contenant du kapok) *ne doivent pas être séchés dans votre sècheuse.*
- Ne faites pas sécher d'articles en fibre de verre dans votre sècheuse. Les particules qui restent dans la sècheuse et qui pourraient être recueillies par les vêtements lors d'un séchage subséquent risquent de causer des irritations cutanées.
- Pour réduire les risques de chocs électriques, débranchez toujours l'appareil ou débranchez la sècheuse au panneau de distribution en enlevant le fusible ou déclenchant le disjoncteur avant de le réparer ou de le nettoyer (sauf pour enlever et nettoyer le filtre à charpie). **REMARQUE** : Le fait de placer le sélecteur de programme à une position **d'ARRÊT** ne coupe **PAS** l'alimentation électrique de l'appareil.

- Ne faites pas fonctionner l'appareil s'il est endommagé, défectueux, partiellement démonté, ou si des pièces sont manquantes ou défectueuses, ou si le cordon d'alimentation ou la fiche sont endommagés.
- L'intérieur de l'appareil et le raccord du conduit d'évacuation à l'intérieur de la sècheuse doivent être nettoyés une fois par an par une personne qualifiée. Voyez la section *Utiliser et charger la sècheuse*.
- Si votre sècheuse fonctionne à gaz, elle est pourvue d'un système d'allumage électrique automatique et ne possède pas de veilleuse. **N'ESSAYEZ PAS DE L'ALLUMER AVEC UNE ALLUMETTE.** Vous risquez de vous brûler si vous approchez votre main du brûleur et que le dispositif d'allumage automatique s'allume.
- Il est possible que vous désiriez assouplir votre lessive ou réduire le collement électrostatique en utilisant un assouplissant textile dans votre sècheuse ou un produit antistatique. Nous vous recommandons d'utiliser un assouplissant liquide au cours du programme de lavage, conformément aux directives du fabricant de ce type de produit, ou de faire l'essai d'un assouplissant textile pour la sècheuse, pour lequel le fabricant certifie sur l'emballage que son produit peut être utilisé en toute sécurité dans la sècheuse. La responsabilité des problèmes de rendement ou de fonctionnement qui ne sont pas couverts par la garantie de cet appareil et sont attribuables à l'utilisation de ces produits relève du fabricant de ces produits.



## LORSQUE LA SÈCHEUSES N'EST PAS UTILISÉE

- Lorsque vous débranchez l'appareil, tirez sur la fiche et non pas sur le cordon afin d'éviter d'endommager le cordon d'alimentation. Installez le cordon de sorte que personne ne marche ni trébuche dessus ou qu'il ne soit pas exposé à des dommages ou des contraintes.
- Avant de jeter ou d'entreposer une sècheuse, enlevez toujours la porte afin d'empêcher les enfants de se cacher à l'intérieur.
- Ne réparez ou ne remplacez aucune pièce de cet appareil, à moins que cela ne soit spécifiquement recommandé dans le présent manuel ou dans des directives de réparation que vous comprenez et que vous êtes en mesure de suivre.
- Ne trafiquez pas les commandes de l'appareil.



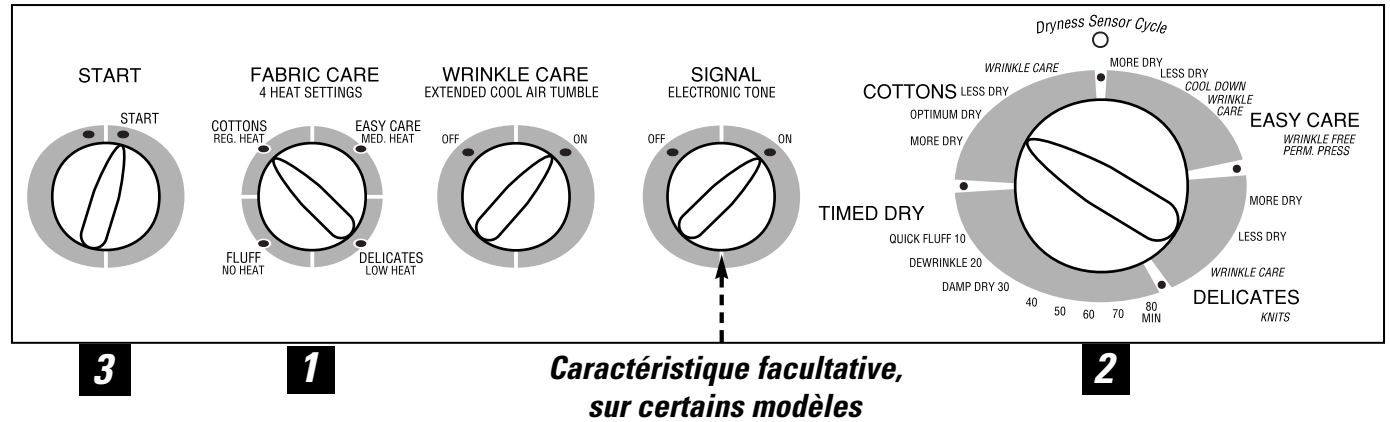
*Veuillez lire et suivre attentivement ces mesures de sécurité.*

## **CONSERVEZ CES DIRECTIVES**

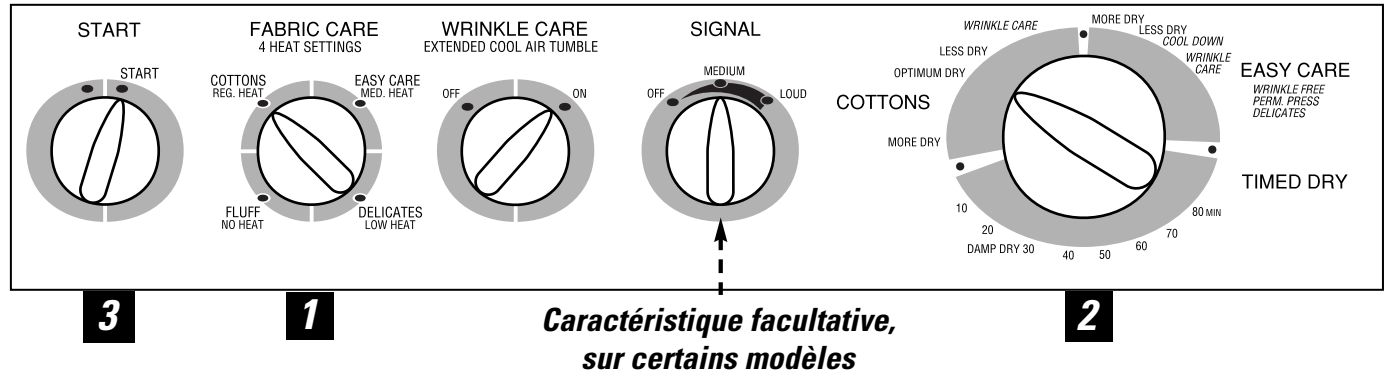
# Les commandes de votre sècheuse.

Vous trouverez votre numéro de modèle sur l'étiquette à l'avant de la sècheuse derrière la porte.  
Les caractéristiques et l'aspect de votre modèle peuvent varier de ceux présentés à travers ce manuel.

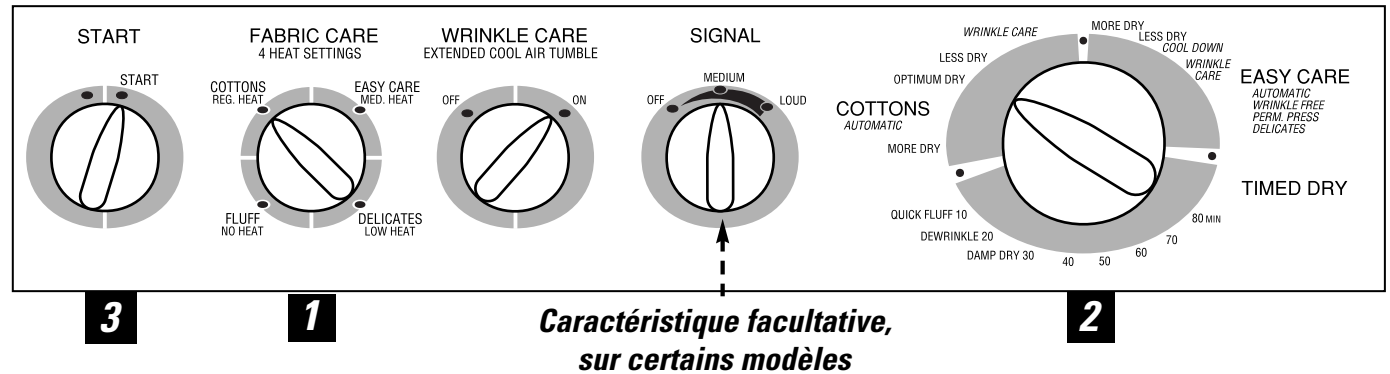
## Type de modèle 405



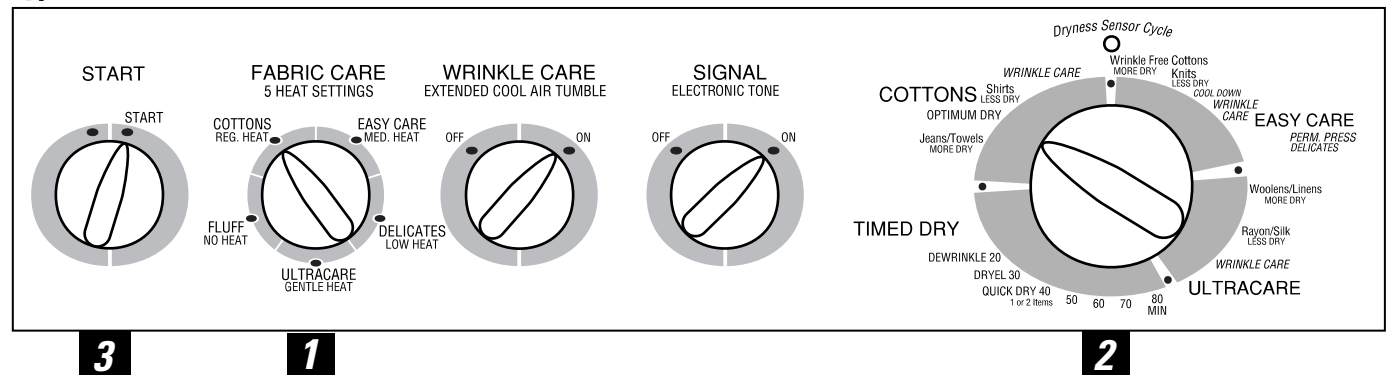
## Type de modèle 465



## Type de modèle 483



## Type de modèle 513







## Réglage des commandes

**IMPORTANT :** Nettoyez le filtre à charpie chaque fois que vous utilisez la sècheuse.

### 1 Fabric Care (entretien des tissus)

**COTTONS REG. HEAT** (cotons temp. régulière) Pour les cotons ordinaires ou lourds.

**EASY CARE MED. HEAT** (entretien facile temp. moyenne) Pour les tissus synthétiques, les mélanges et les articles portant la mention «Sans repassage».

**FLUFF NO HEAT** (Duvetage/Sans chaleur) Pour faire «aérer» les articles sans chaleur. Réglez un **SÉCHAGE MINUTÉ**.

**DELICATES LOW HEAT** (entretien facile délicats basse temp.) Pour les tissus délicats, synthétiques et les articles portant la mention «Sécher par culbutage à basse température».

**ULTRACARE GENTLEHEAT** Pour la lingerie et tissus nécessitant un soin spécial.

### 2 Programmes de séchage

— Les programmes automatiques déterminent la sécheresse des tissus automatiquement. Choisissez **More Dry** (plus sec) pour les tissus plus lourds, et **Less Dry** (moins sec) pour les tissus plus légers. Les programmes de séchage minuté fonctionnent pour la durée choisie.

**COTTONS** (Cotons) Pour les cotons et la plupart des articles en lin. Pour la plupart des charges, choisir **OPTIMUM DRY**.

**EASY CARE** (entretien facile) Pour les articles sans froissage, de pressage permanent et délicats et les tricots.

**ULTRACARE** Pour les tissus nécessitant un soin spécial tels que la rayonne, les lainages et les soies.

**TIMED DRY** (Séchage minuté) Réglez le sélecteur de programme à la durée de séchage désirée.

**DAMP DRY** (Séchage partiel) Pour que les articles soient légèrement humides, réglez le sélecteur de programme.

**QUICK DRY** Pour un ou deux articles.

**DRYEL®** Pour utilisation avec le système DRYEL de soins des tissus «nettoyer à sec seulement». Utiliser le réglage de soin des tissus **MED-HEAT**. Voir les instructions sur l'emballage du produit.

**DEWRINKLE** (Défroissage) Pour faire disparaître les faux plis d'articles propres et secs ou légèrement humides, réglez le sélecteur de programme.

**QUICKFLUFF** Pour rafraîchir ou duveter des articles déjà secs tels que vêtements, tissus, linge de maison et oreillers. Utiliser avec **FLUFF NO HEAT**. Procure 10 minutes de culbutage sans chaleur.

### 3 Mise en marche

— Fermez la porte de la sècheuse. Actionnez le bouton **START** (mise en marche). Lorsque vous ouvrez la porte pendant qu'elle fonctionne, la sècheuse s'arrête. Pour la remettre en marche, fermez la porte et actionnez **START** (mise en marche) pour terminer le programme.

**REMARQUE :** Les durées de séchage varient selon le type d'énergie utilisé (électricité, gaz naturel ou gaz de pétrole liquéfié), la grosseur de la brassée, le type de tissu, l'humidité des vêtements et l'état des conduits d'évacuation.

## Les caractéristiques de la sècheuse.

### La logique des couleurs

Sélectionnez le programme de **FABRIC CARE (entretien des tissus)**. Faites correspondre la couleur en dessous des mots avec la même couleur sur le sélecteur de programme.

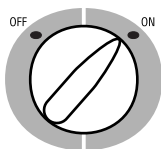
**Par exemple :** Sécher une brassée de vêtements marqués sans repassage.

1 Choisissez **FABRIC CARE (entretien des tissus)**—pour cette brassée cela devrait être

**EASY CARE MED HEAT (entretien facile temp. moyenne)** (qui est d'une couleur particulière).

2 Tournez le sélecteur à l'endroit qui a la même couleur que le programme **FABRIC CARE** que vous avez choisi—pour cette brassée cela devrait être **EASY CARE AUTOMATIC (entretien facile automatique)**.

WRINKLE CARE  
EXTENDED COOL AIR TUMBLE



### Wrinkle Care

Utilisez cette option pour minimiser le froissage des vêtements. Il procure environ 15 minutes de culbutage sans chaleur après le séchage des vêtements.

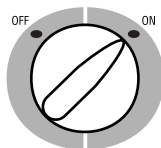
Cette option peut seulement être utilisée avec les programmes **COTTON, EASY CARE, DELICATES** et **ULTRACARE**. Si vous utilisez le **SIGNAL DE PROGRAMME** et choisissez l'option **WRINKLE CARE**, un signal se fera

entendre à la fin de la durée de séchage et plusieurs fois durant le programme

**WRINKLE CARE**. Ceci vous rappellera qu'il est temps de sortir les vêtements.

Si l'option **WRINKLE CARE** n'est pas sur **ON**, la sècheuse s'arrêtera lorsque la minuterie atteindra le repère **WRINKLE CARE** sur le cadran des programmes.

SIGNAL  
ELECTRONIC TONE



(L'apparence peut varier)

### Signal de fin de programme

Ce signal se fera entendre juste avant la fin du programme pour vous rappeler de sortir les vêtements. Sur certains modèles, le niveau sonore est réglable.

Si vous avez choisi l'option **WRINKLE CARE**, le signal se fera entendre à la fin de la durée de séchage et plusieurs fois durant le programme **WRINKLE CARE**. Ceci vous rappellera qu'il est temps de sortir les vêtements.

### REMARQUE :

- **Sortir les vêtements dès le signal sonore. Suspendre les vêtements sur des cintres pour que les plis ne se fixent pas.**
- **Utilisez le SIGNAL DE FIN DE PROGRAMME surtout lors du séchage de tissus tels que les tricots en polyester et les articles de pressage permanent. Ces tissus devraient être sortis pour que les plis ne se fixent pas.**

### Programme Dryness Sensor

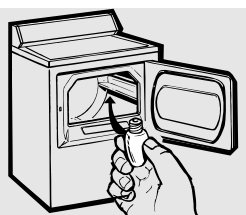
### Programme Dryness Sensor—sur certains modèles

Cette caractéristique n'est activée que dans les programmes **COTTON, EASY CARE, DELICATES** et **ULTRACARE**.

La caractéristique **Dryness Sensor** procure une plus grande précision de séchage que les machines standard, d'où des durées de séchage plus courtes et un meilleur soin des vêtements. Durant le culbutage, les vêtements touchent un capteur d'humidité. Le capteur arrête le programme de séchage dès que les vêtements ont atteint le degré de

séchage choisi. Certains modèles disposent d'un témoin lumineux de **Programme Dryness Sensor**. Ce témoin s'illumine durant les programmes automatiques. Lorsque la caractéristique **Dryness Sensor** arrête le programme de séchage, le témoin s'éteint et la période de refroidissement commence.

**Remarque :** Les vêtements sont chauds s'ils sont retirés dès que le témoin lumineux s'éteint.



### Lampe de tambour

Avant de remplacer l'ampoule, débranchez le cordon d'alimentation de la sècheuse ou débranchez la sècheuse au panneau de distribution en enlevant le fusible ou

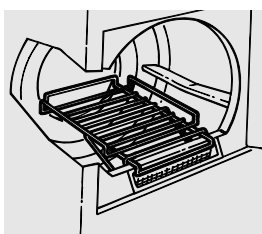
déclenchant le disjoncteur. À la partie supérieure de l'ouverture de chargement de la sècheuse, enlevez l'ampoule et remplacez-la par une ampoule de la même taille.

### Signal activé automatique de programme

### Signal activé automatique de programme—sur certains modèles

À la fin de chaque programme un culbutage pendant environ 15 minutes a lieu sans chaleur lorsque le linge est séché.

Un signal de rappel sera entendu périodiquement durant cette période pour vous rappeler de retirer le linge.



### Grille de séchage—sur certains modèles

Une grille de séchage pratique vous permet de faire sécher des articles tels que les jouets en peluche, les oreillers ou les tricots lavables. Accrochez la grille sur le filtre à charpie de sorte qu'elle soit suspendue à l'intérieur du tambour de la sècheuse.

### REMARQUE :

- La grille de séchage doit être utilisée avec un programme de **SÉCHAGE MINUTÉ**.
- Ne vous servez pas de la grille lorsqu'il y a d'autres vêtements à l'intérieur de la sècheuse.

## Centre de séchage.



### ⚠ MISE EN GARDE!

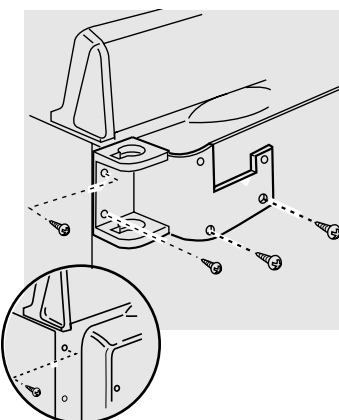
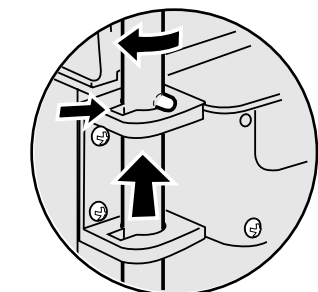
- Ne surchargez pas le Centre de séchage. Vous risquez de l'endommager si vous y déposez plus de 20 lb de linge.
- Rangez toujours le Centre de séchage dans une position sécuritaire afin que personne ne se cogne contre celui-ci.
- Ne laissez pas les enfants jouer avec le Centre de séchage.

La tringle du Centre de séchage peut être réglée à différentes hauteurs. Placez les languettes de la tringle vis-à-vis de l'encoche des supports (cela se passe quand la tringle est parallèle au tableau de contrôle) et abaissez ou relevez la tringle, en plaçant la languette sur le support correspondant à la hauteur voulue.

### Le Centre de séchage peut être installé d'un côté ou de l'autre de la sècheuse.

Pour enlever et transférer le Centre de séchage du côté opposé :

- 1 Soulevez la tringle pour l'enlever. Assurez-vous de placer les languettes de la tringle vis-à-vis des encoches du support.
- 2 Enlevez les quatre vis qui retiennent le support sur la sècheuse. Trois de ces vis serviront à installer le support de l'autre côté. La quatrième vis de la partie supérieure du panneau latéral (montrée dans le cercle) doit être remise à sa place.

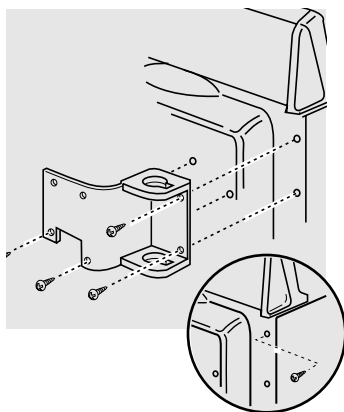


- 3 De l'autre côté de la sècheuse, enlevez la vis à la partie supérieure du panneau latéral (montrée dans le cercle).
- 4 Tournez le support à l'envers et fixez-le à l'aide de la vis que vous venez d'enlever et des trois vis qui ont été retirées de l'autre côté.

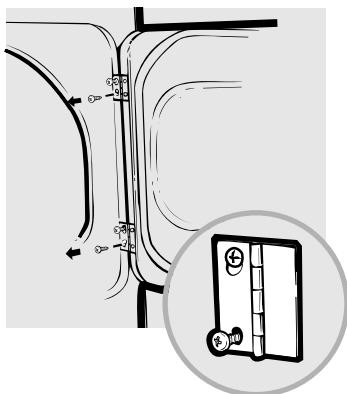
### ⚠ MISE EN GARDE!

Utiliser seulement les vis enlevées de la sècheuse. Ne jamais utiliser de vis longues (doivent avoir moins de 3/8 po de long) ou pointues.

- 5 Insérez la tringle dans le support de montage.



## Inversion de l'ouverture de la porte



### Inversion de l'ouverture de la porte

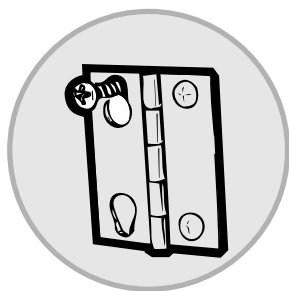
Outils nécessaires :

■ Tournevis Phillips  
n° 2 standard

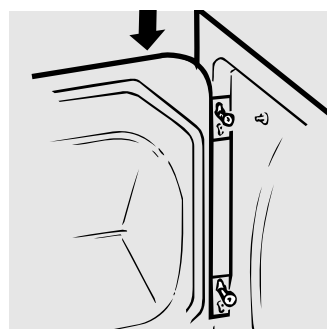
■ Couteau à mastic  
(extrémité recouverte  
de ruban gommé)

■ Pinces à bec long

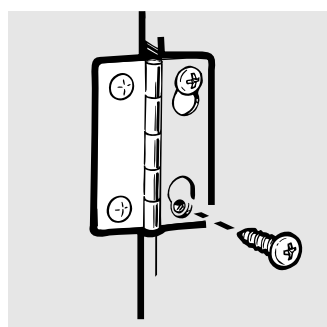
1 Ouvrez la porte et enlevez les capuchons qui se trouvent du côté opposé aux charnières. Ouvrez complètement la porte, puis enlevez la vis inférieure de chaque charnière sur le rebord de la sécheuse. Vissez ces vis à moitié dans les trous **SUPÉRIEURS**, pour chaque charnière, du côté opposé (où vous avez enlevé les capuchons). Appliquez une certaine pression pour que les vis commencent à tourner dans les trous non filetés.



2 Dévissez à moitié la vis supérieure de chaque charnière sur le rebord de la sécheuse. En tenant d'une main le haut de la porte et de l'autre le bas de la porte, enlevez la porte de la sécheuse en la **SOULEVANT**, puis en la **TIRANT**.



3 Tournez la porte de 180°. Installez-la du côté opposé de l'ouverture en **RETRANT** et **ABAISSANT** la porte jusqu'à ce que les vis installées à l'étape 1 soient insérées dans la charnière supérieure et dans la charnière inférieure.



4 Enlevez les vis qui restent du côté où se trouvait la porte précédemment. Installez ces vis à la partie inférieure de chaque charnière. Serrez les deux vis à la partie supérieure de chaque charnière. Remettez les capuchons de plastique à l'endroit où se trouvait la porte précédemment.

# Utiliser et charger la sècheuse.

Lors de la lessive, observez toujours les directives donnés sur l'étiquette d'entretien du vêtement.



## Tri et conseils pour le chargement

En règle générale, lorsque les vêtements sont correctement triés pour le lavage, ils le sont aussi pour le séchage.

N'ajoutez pas votre feuille d'assouplissant textile lorsque la brassée a commencé à chauffer, car celle-ci risque de provoquer des taches d'assouplissant. Les feuilles d'assouplissant de tissus Bounce® pour sècheuses ont été approuvées pour toutes les sècheuses GE si elles sont utilisées conformément aux instructions du fabricant.

**Ne surchargez pas la sècheuse** car cela peut affecter la qualité du séchage et provoquer des faux plis. Les vêtements doivent culbuter librement.

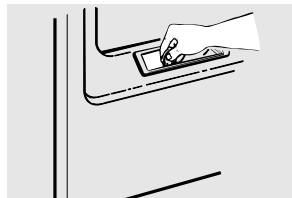
**Ne faites pas sécher les articles suivants dans la sècheuse :** articles en fibre de verre, lainages, articles recouverts de caoutchouc, plastiques, articles dotés d'une garniture en plastique, articles remplis de mousse de caoutchouc.



## Entretien et nettoyage de la sècheuse

**Extérieur :** Essuyez les produits de lessive renversés. Enlevez la poussière avec un linge humide. Le fini et le tableau de commande de la sècheuse peuvent être endommagés par certains produits de traitement préliminaire et détachants. Appliquez ces produits loin de la sècheuse. Vous pouvez ensuite laver et faire sécher les vêtements normalement. Les dommages causés à votre sècheuse par ces produits ne sont pas couverts par votre garantie.

**Filtre à charpie :** Nettoyez le filtre à charpie avant chaque utilisation. Humectez vos doigts et mettez votre main dans l'ouverture du filtre. Faites que un réparateur qualifié aspire la charpie de la sècheuse une fois par an.



**Conduit d'évacuation :** Inspectez et nettoyez au moins une fois par année le conduit d'évacuation de la sècheuse afin d'éviter qu'il se bloque. Lorsque le conduit d'évacuation est partiellement obstrué, cela a pour effet d'allonger la durée de séchage.

### Suivez ces étapes :

Pour nettoyer le conduit d'évacuation, procédez de la façon suivante :

- 1 Coupez l'alimentation électrique en débranchant le cordon d'alimentation de la prise murale.
- 2 Débranchez le conduit d'évacuation de la sècheuse.
- 3 Passez le tuyau de l'aspirateur dans le conduit d'évacuation, et rebranchez le conduit d'évacuation à la sècheuse.

**Évent mural :** Vérifiez avec un miroir que les volets à l'intérieur de l'évent bougent facilement quand la sècheuse fonctionne. Assurez-vous qu'il n'y a pas de nid (d'oiseaux, d'insectes, etc.) à l'intérieur du conduit d'évacuation ou de l'évent.



## Étiquettes d'entretien des tissus

Les "symboles" ci-dessous se trouvent sur les étiquettes d'entretien et ont un effet sur le lavage de vos vêtements.

### ÉTIQUETTES POUR LE LAVAGE

Programme de lavage						
Température de l'eau	●●●●● Chaude (50°C/120°F)		●●●●● Tiède (40°C/105°F)		●●●●● Froide/fraîche (30°C/85°F)	

### ÉTIQUETTES POUR L'EAU DE JAVEL

Symboles d'eau de Javel			
-------------------------	--	--	--

### ÉTIQUETTES POUR LE SÉCHAGE

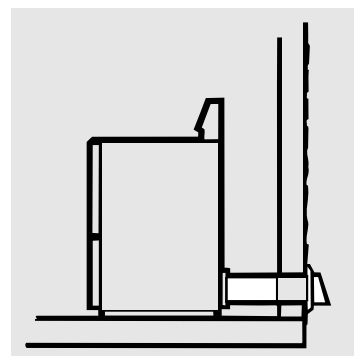
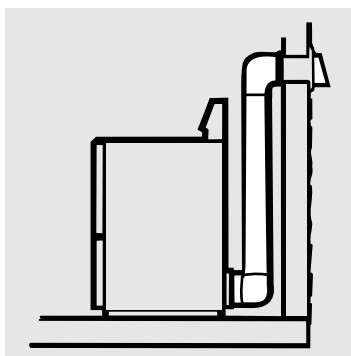
Séchage par culbutage						
Réglage de la chaleur	●●●●● Haute	●●●●● Moyenne	●●●●● Basse	●●●●● Sans chaleur/air		
Directives spéciales						

## Évacuation de la sécheuse

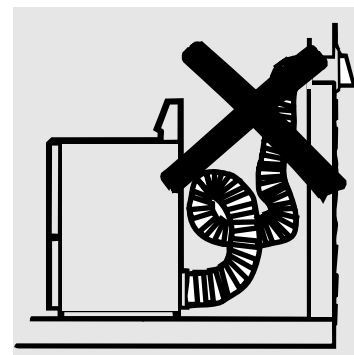
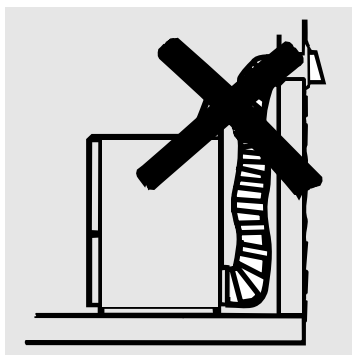
Pour un meilleur rendement de la sécheuse, l'air de la sécheuse doit être correctement évacué. **La sécheuse usera plus d'énergie et fonctionnera pendant plus longtemps si elle n'est pas évacuée selon les directives ci-dessous. Suivez les consignes données pour l'évacuation dans les Directives d'installation.**

- N'utilisez qu'un conduit d'évacuation de métal rigide ou flexible de 4 po de diamètre dans le cabinet de la sécheuse pour l'évacuation de l'air à l'extérieur.
- N'utilisez pas de conduit d'évacuation de plastique ou d'autre conduit d'évacuation combustible.
- Utilisez une longueur la plus courte que possible.
- N'écrasez pas ou ne pliez pas.
- Évitez de poser le conduit d'évacuation sur les objets tranchants.
- **L'évacuation doit être conforme à la réglementation locale en matière de construction.**

Évacuation  
correcte



Évacuation  
incorrecte



## Avant d'appeler un réparateur...



Conseils de dépannage—Économisez du temps et de l'argent! Consultez d'abord les tableaux qui suivent et vous pourrez peut-être éviter de faire appel à un réparateur.

Problème	Causes possibles	Correctifs
<b>La sècheuse ne fonctionne pas</b>	Sècheuse non branchée	<ul style="list-style-type: none"> <li>Assurez-vous que le cordon d'alimentation est bien branché dans la prise de courant.</li> </ul>
	Fusible grillé/disjoncteur déclenché	<ul style="list-style-type: none"> <li>Vérifiez les fusibles/disjoncteurs de la résidence. Remplacez le fusible ou réenclenchez le disjoncteur.</li> </ul> <p><b>REMARQUE</b> : La plupart des sècheuses électriques exigent deux disjoncteurs.</p>
<b>La sècheuse ne chauffe pas</b>	Fusible grillé/disjoncteur déclenché, la sècheuse tourne, mais ne chauffe pas	<ul style="list-style-type: none"> <li>Vérifiez les fusibles/disjoncteurs de la résidence. Remplacez le fusible ou réenclenchez le disjoncteur.</li> </ul>
	Alimentation en gaz coupée	<ul style="list-style-type: none"> <li>Assurez-vous que le robinet d'alimentation en gaz de la sècheuse et de la conduite de gaz sont ouverts.</li> </ul>
<b>La sècheuse est bruyante ou vibre</b>	Un peu de vibration/bruit est normal. Elle ne repose pas solidement sur le plancher	<ul style="list-style-type: none"> <li>Installez sur un plancher uniforme, ou faites en sorte qu'elle soit bien de niveau.</li> </ul>
<b>Taches de graisse sur les vêtements</b>	Utilisation inadéquate d'assouplissant	<ul style="list-style-type: none"> <li>Suivez les directives sur l'emballage de l'assouplissant.</li> </ul>
	Séchage d'articles sales avec des articles propres	<ul style="list-style-type: none"> <li>Ne faites sécher que des articles propres dans votre sècheuse. Les articles sales peuvent tacher les articles propres et la sècheuse.</li> </ul>
	Nettoyage insuffisant des vêtements	<ul style="list-style-type: none"> <li>Quelquefois les taches qui sont invisibles lorsque les articles sont mouillés apparaissent après le séchage. Utilisez les procédés de lavage corrects avant de sécher.</li> </ul>
<b>Charpie sur les vêtements</b>	Filtre à charpie plein	<ul style="list-style-type: none"> <li>Nettoyez le filtre à charpie avant chaque utilisation.</li> </ul>
	Tri incorrect	<ul style="list-style-type: none"> <li>Séparez les tissus produisant de la charpie (comme la chenille) de ceux qui la recueillent (comme le velours côtelé).</li> </ul>
	Charpie attirée par l'électricité statique	<ul style="list-style-type: none"> <li>Voir les suggestions données ci-dessous à la section «<b>ÉLECTRICITÉ STATIQUE</b>».</li> </ul>
	Surcharge	<ul style="list-style-type: none"> <li>Divisez les grosses charges en brassées plus petites.</li> </ul>
	Papier, papier mouchoir, etc., oubliés dans les poches	<ul style="list-style-type: none"> <li>Videz toutes les poches avant de laver les vêtements.</li> </ul>
<b>Électricité statique</b>	Utilisation d'aucun produit assouplissant	<ul style="list-style-type: none"> <li>Utilisez un produit assouplissant.</li> <li>Les feuilles d'assouplissant de tissus Bounce® pour sècheuses ont été approuvées pour toutes les sècheuses GE si elles sont utilisées conformément aux instructions du fabricant.</li> </ul>
	Séchage excessif	<ul style="list-style-type: none"> <li>Utilisez un produit assouplissant.</li> <li>Réglez une durée de séchage plus courte.</li> </ul>
	Les mélanges, les tissus synthétiques et sans repassage peuvent causer de l'électricité statique	<ul style="list-style-type: none"> <li>Utilisez un produit assouplissant.</li> </ul>

## Avant d'appeler un réparateur...

Mesures de sécurité

Fonctionnement

Conseils de dépannage

Service à la clientèle

<b>Problème</b>	<b>Causes possibles</b>	<b>Correctifs</b>
<b>Durées de séchage irrégulières</b>	Type de chaleur	<ul style="list-style-type: none"> <li>Les durées de séchage automatiques varieront selon le type d'énergie utilisé (électrique, gaz naturel ou gaz de pétrole liquéfié) la grosseur de la brassée, le type de tissu, l'humidité des vêtements et l'état des conduits d'évacuation.</li> </ul>
<b>Les vêtements prennent trop de temps à sécher</b>	Tri incorrect	<ul style="list-style-type: none"> <li>Séparez les articles lourds des articles légers (en général, lorsque la brassée est bien triée pour le lavage, elle l'est aussi pour le séchage).</li> </ul>
	Grosses brassées d'articles lourds (comme des serviettes de plage)	<ul style="list-style-type: none"> <li>Les gros articles lourds retiennent davantage d'humidité et prennent plus de temps à sécher. Faites sécher de plus petites brassées pour accélérer le séchage.</li> </ul>
	Commandes mal réglées	<ul style="list-style-type: none"> <li>Régalez les commandes en fonction de la brassée que vous faites sécher.</li> </ul>
	Filtre à charpie plein	<ul style="list-style-type: none"> <li>Nettoyez le filtre à charpie avant chaque utilisation.</li> </ul>
	Conduit d'évacuation inadéquat ou obstrué	<ul style="list-style-type: none"> <li>Vérifiez les Directives d'installation pour que le conduit d'évacuation soit adéquat.</li> <li>Assurez-vous que le conduit est propre, qu'il n'est pas pincé ni obstrué.</li> <li>Vérifiez si le volet de l'évent mural bouge librement.</li> <li>Voir la section Directives d'installation pour vous assurer que la sècheuse est correctement évacuée.</li> </ul>
	Fusibles grillés ou disjoncteurs déclenchés	<ul style="list-style-type: none"> <li>Remplacez les fusibles ou réenclenchez les disjoncteurs. Comme la plupart des sècheuses nécessitent deux fusibles/disjoncteurs, assurez-vous que les deux sont en bon état.</li> </ul>
	Surcharge/brassées mélangées	<ul style="list-style-type: none"> <li>Ne mettez qu'une brassée dans sècheuse à la fois.</li> </ul>
<b>Les vêtements sont froissés</b>	Brassée trop petite	<ul style="list-style-type: none"> <li>Lorsque vous ne faites sécher qu'un ou deux articles, ajoutez quelques articles pour assurer culbutage adéquat.</li> </ul>
	Séchage excessif	<ul style="list-style-type: none"> <li>Régalez une durée de séchage plus courte.</li> <li>Retirez les vêtements de la sècheuse lorsque'ils sont encore légèrement humides.</li> </ul>
<b>Les vêtements rétrécissent</b>	Articles laissés dans la sècheuse après la fin du programme	<ul style="list-style-type: none"> <li>Retirez les articles de la sècheuse lorsque le programme est terminé. Pliez-les ou suspendez-les immédiatement.</li> </ul>
	Certains tissus rétrécissent au lavage. D'autres peuvent être lavés en toute sécurité mais rétrécissent au séchage	<ul style="list-style-type: none"> <li>Pour éviter tout rétrécissement, suivez à lettre les directives sur l'étiquette d'entretien des vêtements.</li> <li>Certains articles peuvent retrouver leur forme d'origine après le séchage grâce à un pressage.</li> <li>Lorsque vous ne savez pas si un article rétrécit ou non, ne le lavez pas ou ne le faites pas sécher à la machine.</li> </ul>



**Notes.**

---

<b>Mesures de sécurité</b>	<b>Fonctionnement</b>	<b>Conseils de dépannage</b>	<b>Service à la clientèle</b>
----------------------------	-----------------------	------------------------------	-------------------------------

## Garantie de votre sècheuse GE (Pour la clientèle au États-Unis)



Toutes les réparations sous garantie seront effectuées par nos centres de réparation ou nos réparateurs autorisés. Appelez le 1-800-GE-CARES

Cette garantie ne s'applique qu'aux États-Unis. La Garantie peut varier au Canada. Voyez votre marchand Profile approuvé pour les détails.

### Pour une période de : GE remplacera :

<b>Un an</b> À compter de la date d'achat d'origine	<b>Toute pièce</b> de la sècheuse qui se révèle défectueuse en raison d'un vice de matières ou de fabrication. Pendant cette <b>garantie complète d'un an</b> , GE fournira également, <b>gratuitement</b> , tous les frais de main d'œuvre et de déplacement du réparateur à votre domicile pour remplacer la pièce défectueuse.
<b>Cinq ans</b> À compter de la date d'achat d'origine	<b>N'importe quel tambour de sècheuse très grand ou de grande capacité</b> qui se révèle défectueux en raison d'un vice de matières ou de fabrication. Pendant cette <b>garantie limitée supplémentaire de quatre ans</b> , vous devez assumer tous les frais de main d'œuvre et de déplacement du réparateur à votre domicile.

### Ce que GE ne couvrira pas :

- Toute visite à votre domicile pour vous expliquer le fonctionnement de l'appareil.
- Une installation inadéquate.
- Toute défectuosité du produit lorsqu'il est utilisé de façon abusive, ou à des fins commerciales ou à toute autre fin que celle pour laquelle il a été conçu.
- Le remplacement des fusibles ou le réenclenchement des disjoncteurs du panneau de distribution.
- Tout dommage au produit attribuable à un accident, un incendie, une inondation ou un cas de force majeure.
- Les dommages accidentels ou inconséquents à la propriété personnelle qui sont imputables aux défauts éventuels de cet appareil.

Cette garantie est offerte à l'acheteur initial ainsi qu'à tout acheteur subséquent d'un produit acheté à des fins domestiques aux États-Unis. En Alaska, la garantie d'un an ne comprend pas les frais d'expédition du produit ou de déplacement du réparateur à votre domicile.

Dans certains états, il est interdit d'exclure ou de limiter les dommages directs ou indirects. Il est alors possible que les limitations ou exclusions ci-dessus ne s'appliquent pas dans votre cas. La présente garantie vous confère des droits juridiques spécifiques. Vous pouvez bénéficier d'autres droits qui varient d'un état à l'autre. Pour connaître les droits dont vous bénéficiez dans votre état, communiquez avec le bureau des Relations avec les consommateurs de votre région ou de votre état, ou avec le procureur général de votre état.

**Garant : General Electric Company, Louisville, KY 40225**

## Numéros de service



### *GE Answer Center® Aux États-Unis : 800.626.2000*

Notre service d'information est ouvert 24 heures par jour, 7 jours par semaine.

**Au Canada**, écrivez au Directeur, Relations avec les consommateurs, Camco Inc., 1, Factory Lane, Bureau 310, Moncton, N.B. E1C 9M3.



### *Réparations à domicile Aux États-Unis : 800-432-2737*

Pour faire réparer votre électroménager GE, il suffit de nous téléphoner.

**Au Canada**, appelez le **1-800-361-3400**.



### *Pour les besoins particuliers Aux États-Unis : 800.626.2000*

Sur demande, GE peut fournir sans frais des commandes avec inscription en braille ou une brochure sur l'aménagement d'une cuisine pour les personnes à mobilité réduite. **Aux États-Unis**, appelez le **800-833-4322**.

**Au Canada**, écrivez au Directeur, Relations avec les consommateurs, Camco Inc., 1 Factory Lane, Bureau 310, Moncton, N.B. E1C 9M3.



### *Contrats d'entretien Aux États-Unis : 800-626-2224*

Achetez un contrat d'entretien GE avant que votre garantie n'expire et bénéficiez d'un rabais substantiel. Ainsi le service après-vente GE sera toujours là après expiration de la garantie.

**Au Canada**, appelez le **1-800-461-3636**.



### *Pièces et accessoires Aux États-Unis : 800-626-2002*

Ceux qui désirent réparer eux-mêmes leurs électroménagers peuvent recevoir pièces et accessoires directement à la maison (cartes VISA, MasterCard et Discover acceptées).

**Les directives stipulées dans le présent manuel peuvent être effectuées par n'importe quel utilisateur. Les autres réparations doivent généralement être effectuées par un technicien qualifié. Soyez prudent, car une réparation inadéquate peut affecter le fonctionnement sécuritaire de l'appareil.**

**Au Canada**, appelez le **1-800-361-3400**.



### *Un service satisfaisant*

Si vous n'êtes pas satisfait du service après-vente dont vous avez bénéficié :

**Premièrement**, communiquez avec les gens qui ont réparé votre appareil. **Ensuite**, si vous n'êtes toujours pas satisfait, **aux États-Unis**, envoyez tous les détails—numéro de téléphone compris—au Manager, Customer Relations, GE Appliances, Appliance Park, Louisville, KY 40225; ou, **au Canada**, au Directeur, Relations avec les consommateurs, Camco Inc., 1 Factory Lane, Bureau 310, Moncton, N.B. E1C 9M3.

# Una Asociación de Servicio.



## ¡IMPORTANTE!

Rellene la tarjeta de Registro del Producto del consumidor.

### ¡Dos maneras fáciles para registrar su artefacto electrodoméstico!

- A través del Internet en [www.geappliances.com](http://www.geappliances.com)
- Rellene la tarjeta de Registro del Producto incluida y envíela por correo



## PARA GUARDAR COMO REFERENCIA

Anote aquí los números de modelo y de serie:

No. \_\_\_\_\_

No. \_\_\_\_\_

Localizados en el frente de la secadora detrás de la puerta.



## LEA ESTE MANUAL

Este contiene instrucciones que le ayudará a usar y mantener de manera correcta su secadora. Un poco de cuidado preventivo le ayudará a ahorrar tiempo y dinero durante la vida de su secadora.



## VENTILACION CORRECTA

Para el mejor rendimiento de secado, la secadora debe ventilarse correctamente. Para más información sobre una ventilación correcta, vea la sección *Ventilación de la secadora* en este manual y la sección *Tubo de escape* en la Instrucciones de instalación.



## SI NECESITA SERVICIO

Encontrará en la sección de *Antes de solicitar un servicio* soluciones a los problemas más comunes. En revisar nuestra sección de *Solucionar problemas* primero, tal vez no necesitará de solicitar un servicio.

Si requiere un servicio, puede sentirse relajado al saber que la ayuda está sólo a una llamada de distancia. Se incluye una lista de números gratuitos y de servicio a clientes en la contraportada de la sección en español. O llame **en los Estados Unidos** al GE Answer Center® al 800.626.2000, las 24 horas a del día, los 7 días de la semana.

Seguridad

Información de seguridad .....37-39

### Instrucciones de operación

Características .....42, 43  
Cargar y usar la secadora .....45  
Centro de secado .....43  
Paneles de control ..40, 41  
Ventilación de la secadora .....46  
Voltar la puerta .....44

### Solucionar problemas

.....47, 48

### Servicio al consumidor

Garantía .....50  
Números del servicio .....51

Operación

Solucionar problemas

Servicio al consumidor

# INFORMACIONES IMPORTANTES DE SEGURIDAD. LEA PRIMERO TODA LAS INSTRUCCIONES.

## ⚠ ¡ADVERTENCIA!

Por su seguridad, la información contenida en este manual debe seguirse al pie de la letra para minimizar el riesgo de incendio o explosión, choque eléctrico o para evitar daños a la propiedad, lesiones personales o fallecimientos.

- No almacene ni use gasolina ni otros vapores o líquidos inflamables cerca de éste o de cualquier otro aparato.
- La instalación y servicio deben ser realizados por un instalador calificado, una agencia de servicio o por su proveedor de gas.

## SI CREE QUE HUELE A GAS:

- 1 No enciende un fósforo, un cigarrillo, o cualquier aparato a gas o eléctrico.
- 2 No toque ningún interruptor eléctrico; no use ningún teléfono en su edificio.
- 3 Saque de la habitación, edificio o área a todos los ocupantes.
- 4 De inmediato llame a su proveedor de gas desde el teléfono de algún vecino. Siga las instrucciones de su proveedor de gas.
- 5 Si no puede ponerse en contacto con su proveedor de gas, llame a los bomberos.

### Acta de Obligatoriedad del Estado de California sobre Agua Potable y Sustancias Tóxicas

Esta acta requiere que el gobernador de California publique una lista de sustancias de las que el estado tiene conocimiento como causantes de cáncer, defectos de nacimiento y otros daños reproductivos y requiere a los negocios que adviertan a los clientes sobre los riesgos de la exposición potencial a dichas sustancias.

Los aparatos que funcionan con gas pueden producir exposiciones poco importantes a cuatro de estas sustancias, que son benceno, monóxido de carbono, formaldehído y hollín, causados principalmente por la combustión incompleta de los combustibles de gas natural o de gas LP.

Las secadoras que están correctamente ajustadas minimizan la combustión incompleta. La exposición a estas sustancias puede disminuirse aún más si se ventilan adecuadamente las secadoras con salidas al exterior.



## INSTALACION ADECUADA

Esta secadora debe instalarse de manera adecuada y colocarse de acuerdo con las Instrucciones de instalación antes de usarse. Si no recibe una hoja de Instrucciones de instalación, llame sin costo al GE Answer Center®, 800.626.2000.

- La secadora debe instalarse con una conexión a tierra adecuada que esté en conformidad con los códigos y ordenanzas vigentes. Siga los detalles en las Instrucciones de instalación.
- Instale o guarde la secadora donde no esté expuesta a temperaturas bajo cero o a la intemperie.
- Conecte a un circuito eléctrico correctamente medido, protegido y del calibre correcto para evitar una sobrecarga eléctrica.
- Quite todos los artículos de embalaje afilados y deshágase de todos los materiales de embalaje correctamente.

### Tubo de escape:

- 1 Secadoras a gas **DEBEN** escapar al exterior.
- 2 Se recomienda ampliamente tener un tubo de escape al exterior para las secadoras eléctricas, para evitar grandes cantidades de humedad y de pelusa en el cuarto.
- 3 Use sólo tubo de metal rígido o flexible de 4" de diámetro dentro del gabinete de la secadora o como salida al exterior. **EL USO DE TUBOS DE PLASTICO O TUBOS COMBUSTIBLES DE OTRO TIPO PUEDE CAUSAR UN INCENDIO SI SE CAE O SI ESTA RESTRINGIDO DE ALGUNA MANERA DURANTE EL USO O LA INSTALACION.**

Siga las Instrucciones de instalación para detalles completos.

# INFORMACIONES IMPORTANTES DE SEGURIDAD. LEA PRIMERO TODA LAS INSTRUCCIONES.

Seguridad

## ⚠ ¡ADVERTENCIA!



### ALREDEDOR DE SU SECADORA

- Mantenga la área alrededor y debajo de sus aparatos libre de la acumulación de materiales combustibles tales como pelusa, papel, trapos, productos químicos, etcétera.
- Mantenga limpio y seco el suelo alrededor de sus aparatos para reducir de este modo la posibilidad de que alguien resbale.
- Es necesaria una supervisión muy estrecha si este aparato va a ser usado por niños o cerca de niños. No permita que los niños jueguen en el interior, sobre el aparato o con cualquier otro aparato.
- Mantenga todos los auxiliares de limpieza (como detergentes, blanqueadores, etc.) lejos del alcance de niños, de preferencia en un gabinete con llave. Observe todas las advertencias en las etiquetas de los recipientes para evitar lesiones.
- No se trape ni se pare encima de la secadora.

Operación



### CUANDO USE SU SECADORA

- Nunca meta las manos en la secadora mientras el tambor se mueva. Antes de cargar, descargar o añadir ropa, espere hasta que el tambor se detiene por completo.
- Limpie el filtro de pelusa antes de cada carga para evitar la acumulación de pelusa en la secadora o en el cuarto. **NUNCA OPERE LA SECADORA SIN EL FILTRO DE PELUSA EN SU SITIO.**
- No lave ni seque artículos que se hayan limpiado, lavado en, remojado en o manchado con sustancias combustibles o explosivas (tales como cera, aceite, pintura, gasolina, desengrasantes, solventes para lavado en seco, queroseno, etcétera) que puedan incendiarse o estallar. No añada estas sustancias al agua de lavado. No use estas sustancias cerca de su lavadora y de su secadora durante la operación de cualquiera de éstas.
- No ponga en la secadora artículos expuestos a aceite para cocinar. Los artículos contaminados con aceite para cocinar pueden contribuir a una reacción química que podría incendiar la carga de ropas.
- Cualquier artículo en el que usted haya usado un solvente limpiador o que contenga materiales inflamables (tales como trapos de limpieza, jergas, toallas que se usan en salones de belleza, restaurantes o barberías, etcétera) no deben colocarse en o cerca de la secadora hasta que se hayan quitado todos los rastros de estos líquidos o sólidos inflamables y sus vapores. Hay una gran cantidad de artículos altamente inflamables que se usan en los hogares. Por ejemplo: acetona, alcohol desnaturalizado, gasolina, queroseno, algunos limpiadores caseros, algunos removedores de manchas, aguarrás, ceras, removedores de cera y productos que contienen destilados de petróleo.
- El proceso de lavado reduce la capacidad de las telas a ser retardantes al fuego. Para evitar ese resultado, deben seguirse con gran cuidado las instrucciones impresas en la etiqueta del fabricante de la prenda.
- No seque artículos que contengan hule, plástico, espuma de caucho o materiales similares (por ejemplo, sostenes acojinados, tenis, zapatillas de hule, tapetes de baño, tapetes, baberos, calzones de hule para bebé, bolas de plástico, almohadas, etcétera) ya que estos materiales pueden derretirse o quemarse. También, algunos materiales de hule, cuando se calientan, bajo determinadas circunstancias pueden provocar un incendio por combustión espontánea.
- No guarde artículos que puedan quemarse o derretirse como ropas, papeles o plásticos sobre la secadora mientras ésta se encuentre en operación.
- Las prendas que estén marcadas con la etiqueta "Seque lejos de fuentes de calor" o "No seque en máquina" (como chalecos salvavidas que contengan Kapok) no deben meterse en su secadora.
- No seque en su secadora artículos de fibra de vidrio. Podría sufrir irritación de la piel como resultado de que hayan quedado partículas de fibra de vidrio que puedan haberse adherido a otras prendas durante el uso subsecuente de la secadora.
- Para minimizar la posibilidad de un choque eléctrico, desconecte este aparato del suministro eléctrico o desconecte la secadora al panel de distribución quitando el fusible o apagando el interruptor de circuitos antes de intentar llevar a cabo cualquiera actividad de mantenimiento o limpieza (excepto quitar y limpiar el filtro para pelusa). **NOTA:** Colocar la perilla de ciclo en **OFF (apagado)**, **NO** desconecta el aparato del suministro eléctrico.

Solucionar problemas

Servicio al consumidor

- No ponga a funcionar este aparato si está dañado, si funciona mal, si está parcialmente desarmado o si tiene partes rotas o faltantes, incluyendo un cable o clavija en malas condiciones.
- El interior de la máquina y la conexión del tubo de escape a dentro de la secadora debe limpiarse al menos una vez la año por un instalador capacitado. Vea la sección *Cargar y usar la secadora*.
- Si la suya es una secadora de gas, estará equipada con un mecanismo de ignición eléctrica y no tiene una luz piloto. **NO INTENTE ENCENDERLA UTILIZANDO UN FOSFORO.** Puede sufrir quemaduras por colocar la mano cerca del quemador cuando se encienda la ignición automática.
- Tal vez quiera suavizar las telas que haya lavado o reducir la electricidad estática de las mismas usando un suavizante para telas que se aplique en la secadora o un acondicionador anti-estática. Le recomendamos que utilice ya sea un suavizante para telas en el ciclo de lavado, siguiendo las instrucciones del fabricante para ese tipo de producto, o que pruebe un producto que se añada durante el secado, en el que el fabricante asegura por escrito en la etiqueta del empaque de que su producto puede usarse sin riesgo en su secadora. Los problemas de servicio o de funcionamiento causados por el uso de estos productos son responsabilidad de los fabricantes de esos productos y no están cubiertos por la garantía de este aparato.



## CUANDO NO USE SU SECADORA

- Cuando desconecte este aparato tire de la clavija y no del cable para evitar que se dañe el cable o la unión entre el cable y la clavija. Asegúrese de que el cable se localice en un sitio en donde no lo puedan pisar, tropezar con él o que no esté sujeto a daño o tensión.
- No repare ni reemplace ninguna parte de este aparato ni intente llevar a cabo ningún servicio a menos que esté recomendado de manera específica en este Manual del propietario o que esté publicado en instructivos de reparaciones hechas por el usuario que usted comprenda bien y que sea capaz de llevar a la práctica.
- Antes de deshacerse de una secadora o si ya no está en servicio, quite la puerta de la secadora para impedir a los niños de esconderse adentro.
- No manipule indebidamente los controles.



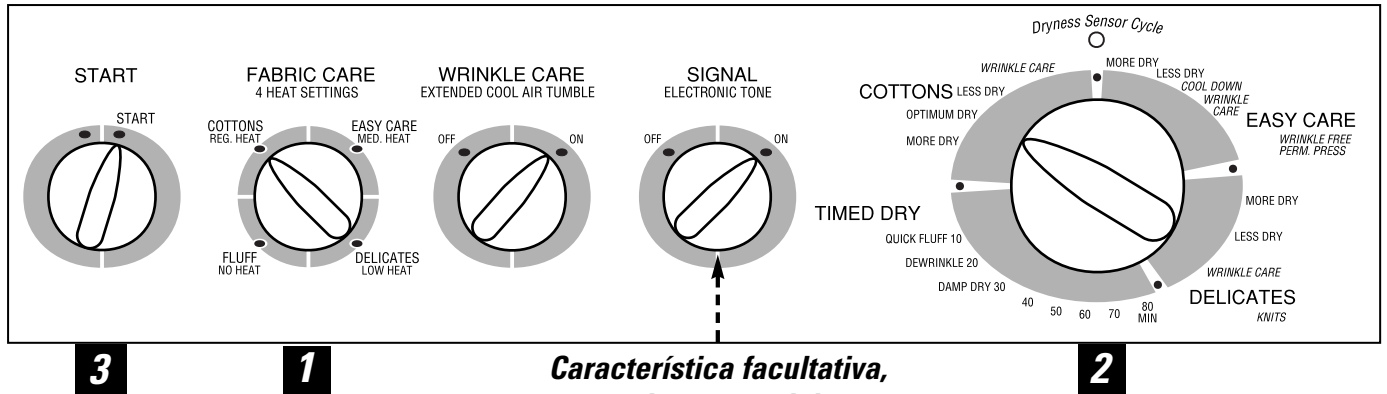
*Favor de leer y seguir cuidadosamente las precauciones de seguridad.*

## **GUARDE ESTAS INSTRUCCIONES**

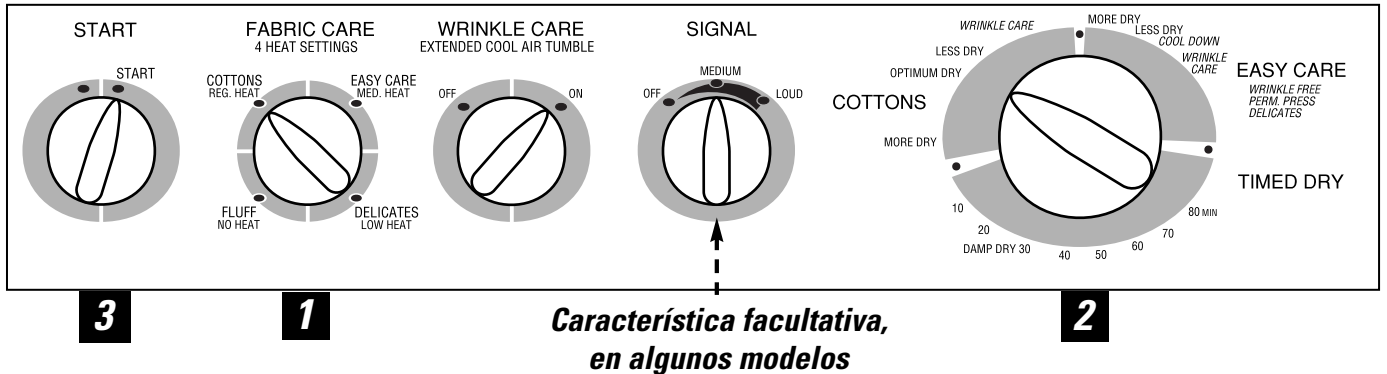
# El panel de control de su secadora.

Puede localizar su número de modelo en la etiqueta en el frente de la secadora detrás de la puerta. Su modelo puede tener otras características y apariencia que las ilustradas por todas partes de este manual.

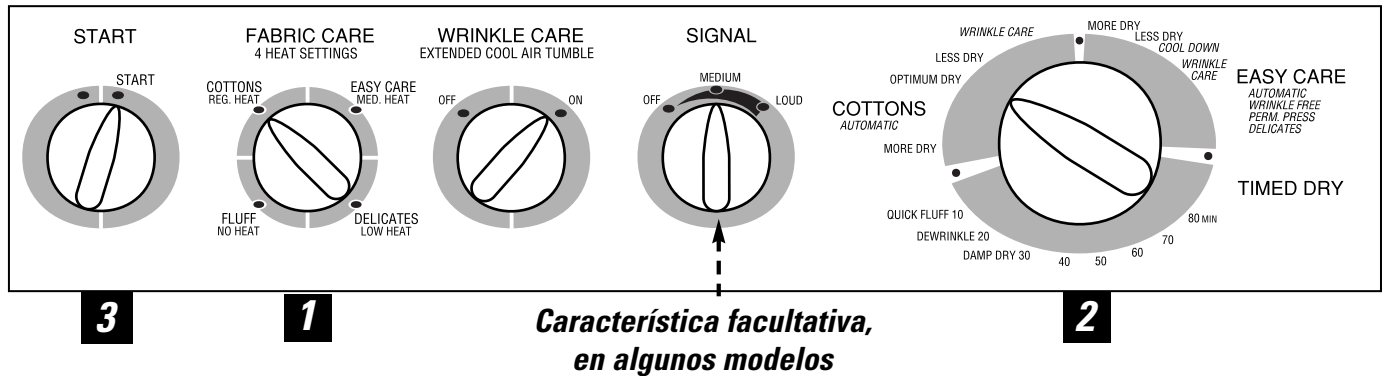
## Modelo Tipo 405



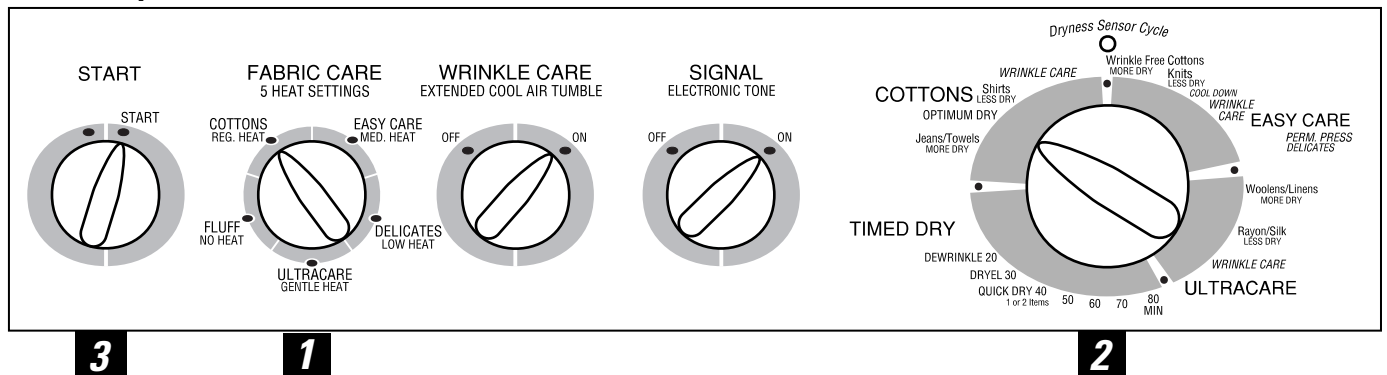
## Modelo Tipo 465



## Modelo Tipo 483



## Modelo Tipo 513







## Ajustar los controles

**IMPORTANTE:** Limpie el filtro de pelusa cada vez que use la secadora.

### 1 Fabric Care (cuidado de telas)

**COTTONS (algodones)** Para algodones regulares o pesados.  
**REG. HEAT (calor regular)**

**EASY CARE (cuidado fácil)** Para sintéticos, mezclas, prendas delicadas y artículos marcados *planchado permanente*.  
**MED. HEAT (calor medio)**

**FLUFF (prendas rellenas)** Para *prendas rellenas* sin calor. Use el ciclo de **TIMED DRY (secado por tiempo)**.  
**NO HEAT (sin calor)**

**DELICATES (prendas delicadas)** Para prendas delicadas, sintéticos y artículos marcados *secar con calor bajo*.  
**LOW HEAT (calor bajo)**

**ULTRACARE GENTLEHEAT** Para lencería y telas de cuidado especial.

### 2 Ciclos de secado— Los ciclos automáticos sienten la sequedad de las telas. Seleccione **MORE DRY (más secado)** para telas más pesadas, **LESS DRY (menos secado)** para telas más ligeras. Los ciclos por tiempo funcionan durante el tiempo seleccionado.

**COTTONS (algodones)** Para algodón y la mayoría de los linos. Para la mayoría de las cargas, elija **OPTIMUM DRY**.

**EASY CARE (cuidado fácil)** Para artículos inarrugables, planchado permanente, tejidos y delicados.

**ULTRACARE** Para productos que requieren cuidados especiales, como serían rayón, lanas y sedas.

**TIMED DRY (secado por tiempo)** Ajuste la perilla de ciclo para el tiempo de secado deseado.

**DAMP DRY (secado húmedo)** Para dejar los artículos parcialmente húmedos.

**QUICK DRY** Para uno o dos artículos.

**DRYEL®** Para usarse con el sistema de cuidado de telas DRYEL “solamente para lavar en seco”. Use la posición de cuidado de telas **MED-HEAT**. Vea las instrucciones en el paquete del producto.

**DEWRINKLE (desarrugar)** Para quitar arrugas de artículos que están limpios y secos o muy poco húmedos.

**QUICK FLUFF** Para refrescar o esponjar ropa ya seca, telas, ropa blanca y cojines. Use con **FLUFF NO HEAT**. Suministra volteo sin calor durante 10 minutos.

### 3 Start (inicio)— Cierre la puerta de la secadora. Seleccione **START (inicio)**. Abrir la puerta durante la operación detendrá la secadora. Para volver a iniciar la secadora, cierre la puerta y seleccione **START (inicio)** para completar el ciclo.

**NOTA:** Los tiempos de secado variarán de acuerdo al tipo de calor que se utilice (eléctrico, natural o de gas LP), el tamaño de la carga, los tipos de tela, la humedad de las prendas y la condición de los ductos de escape.

## Características de la secadora.

### Lógica por colores

Seleccione el ajuste correcto de **FABRIC CARE (cuidado de telas)**. Páree el color particular bajo las palabras con el mismo color en el selector de ciclos.

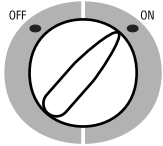
**Ejemplo:** Secar una carga de ropas de planchado permanente.

1 Escoja el ajuste de **FABRIC CARE**—para esta carga, será **EASY CARE MED HEAT**

(**cuidado fácil calor medio**) (que es de un color particular).

2 Gire el selector de ciclos al área que tiene el mismo color que el ajuste de **FABRIC CARE** que había escogido—para esta carga, será **EASY CARE AUTOMATIC (cuidado fácil automático)**.

WRINKLE CARE  
EXTENDED COOL AIR TUMBLE



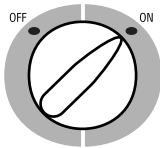
### Wrinkle Care

Si desea reducir las arrugas en la ropa, use esta opción. Suministra cerca de 15 minutos de volteo sin calor después que la ropa esté seca.

Esta opción puede usarse solamente con los ciclos **COTTON, EASY CARE, DELICATES** y **ULTRACARE**. Si está usando **SEÑAL DE CICLO** y eligió la opción **WRINKLE CARE**, al concluir el tiempo de secado sonará una

señal, así como en varias ocasiones durante el ciclo **WRINKLE CARE**. Esto sucede con el objeto de recordarle que es el momento de sacar la ropa. Si **WRINKLE CARE** no está **ON**, la secadora se detendrá en cuanto el temporizador llegue a la marca **WRINKLE CARE** en el cuadrante.

SIGNAL  
ELECTRONIC TONE



(La apariencia puede cambiar)

### Señal de fin de ciclo

Esta señal sonará justamente antes que termine el ciclo para recordarle que saque la ropa. El nivel del sonido de la señal se puede ajustar en algunos modelos.

Si usted eligió la opción **WRINKLE CARE**, al concluir el tiempo de secado sonará una señal, así como en varias ocasiones durante el ciclo **WRINKLE CARE**. Esto sucede con el objeto de recordarle que debe sacar la ropa.

#### NOTA:

- En cuanto suene la señal, saque las prendas inmediatamente. Coloque la ropa en ganchos para evitar que quede arrugada permanentemente.
- Use la **SEÑAL DE CICLO** particularmente durante el secado de telas como serían tejidos de poliéster y planchado permanente. Estas telas deben sacarse para evitar que queden arrugadas permanentemente.

### Ciclo Dryness Sensor

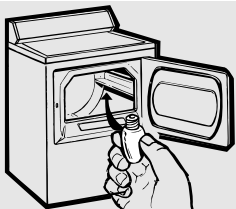
### Ciclo Dryness Sensor—en algunos modelos

Esta característica se activa durante los ciclos **COTTONS, EASY CARE, DELICATES** y **ULTRACARE**.

El **Dryness Sensor** suministra un secado más preciso que las máquinas estándar, lo que da por resultado tiempos de secado más cortos y un cuidado mejor de las prendas. Mientras la ropa da vueltas está en contacto con un detector de humedad. En cuanto la ropa alcanza la sequedad deseada, el detector detendrá el ciclo de calentamiento.

Algunos modelos disponen de una lámpara del ciclo **Dryness Sensor**. Esta lámpara se enciende durante los ciclos automáticos. La lámpara se apagará cuando la característica **Dryness Sensor** detiene el ciclo de calentamiento, y se inicia el período de enfriamiento.

**Nota:** Si la ropa se saca inmediatamente después que la lámpara indicadora se apagó, la ropa estará caliente aún.



### Luz del tambor

Antes de reemplazar la bombilla de luz, asegúrese de desconectar el cable de suministro eléctrico de la secadora o desconecte la secadora al panel de distribución quitando el fusible

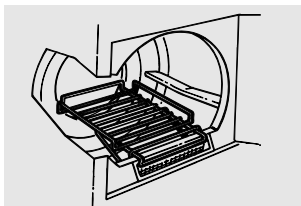
o apagando el interruptor de circuitos. Meta la mano en la parte superior de la secadora desde adentro del tambor. Quite la bombilla y reemplácela con una del mismo tamaño.

### Señal de encendido del ciclo automático

### Señal de encendido del ciclo automático—en algunos modelos

Al final de cada ciclo, que la ropa se ha secado, habrá 15 minutos aproximadamente de volteo sin calor.

Periodicamente, sonará una señal para recordarle que debe sacar la ropa.



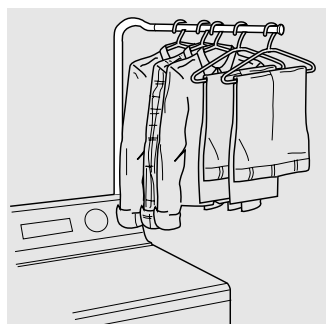
### Rejilla de secado—en algunos modelos

Una rejilla de secado práctica puede ser usada para secar artículos como juguetes rellenos, almohadas o suéteres lavables. Enganche la rejilla sobre el filtro de pelusa así que la rejilla se prolonga dentro del tambor de la secadora.

#### NOTA:

- La rejilla de secado debe ser usada con el **SECADO POR TIEMPO**.
- No use la rejilla de secado cuando hay otras prendas en la secadora.

## Información sobre el centro de secado.



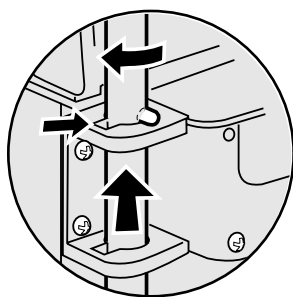
### ⚠ ¡PRECAUCION!

- No sobrecargue el Centro de secado. Si se aplica más de 20 libras puede ocurrir una avería.
- Para que nadie se golpee, procure siempre colocar el centro de secado en una posición segura.
- No permita que los niños jueguen con el Centro de secado.

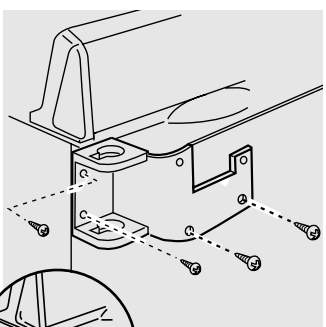
Se puede fijar el poste en el Centro de secado a diferentes niveles. Alinee las orejetas en el poste con las abrazaderas (esto sucede cuando el poste está paralelo al panel de control) y luego alce o baje el poste, haciendo descansar la orejeta en la abrazadera a la altura que le sea más cómoda.

### Se puede montar el Centro de secado en cualquier de los lados de la secadora.

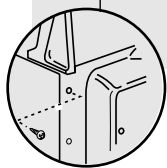
Para sacar y transferir el Centro de secado al lado opuesto.



- 1 Saque el poste alzándolo. Procure alinear las orejetas en el poste con las diferentes muescas en la abrazadera.



- 2 Saque los cuatro tornillos que aseguran las abrazaderas a la secadora. Se debe usar tres de los tornillos para montar el brazo en el otro lado. El cuarto tornillo en la parte superior del panel lateral (como se muestra en el círculo) debe colocarse en su posición original.

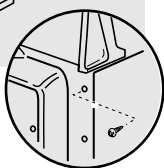
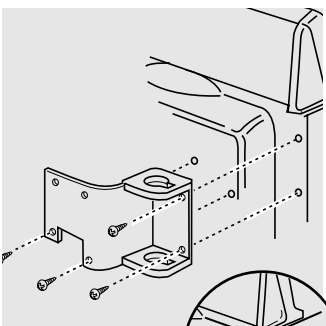


- 3 En el otro lado de la secadora saque el tornillo en la parte superior del panel lateral (como se muestra en el círculo).
- 4 Dele la vuelta a la abrazadera (cosa que la parte inferior quede encima) y únala con el tornillo que acaba de sacarse y con los tres tornillos que acaba de quitar en el otro lado.

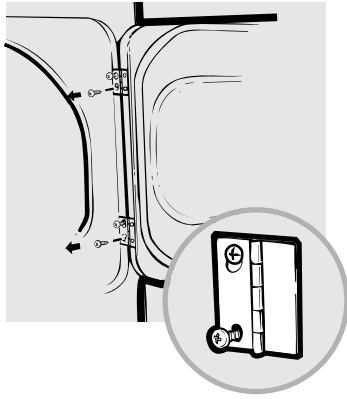
### ⚠ ¡PRECAUCION!

Asegúrese de usar éstos tornillos solamente. Nunca use tornillos largos (tienen que ser menos que 3/8") o tornillos puntiagudos.

- 5 Inserte el poste en la abrazadera de montaje.



# Cómo voltear la puerta.

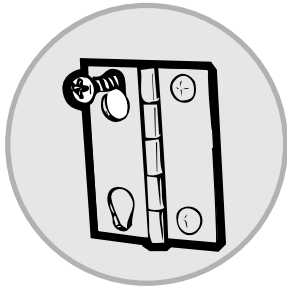


## Voltear la puerta

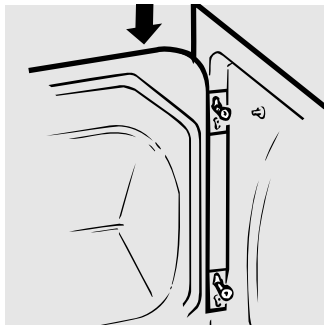
Herramientas necesarias:

- Destornillador
- Espátula con cinta adhesiva
- Pinzas de punta fina

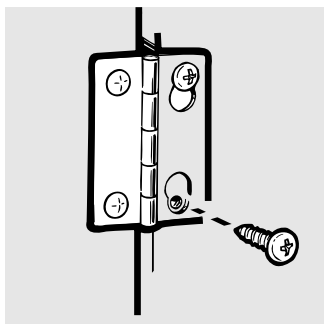
- 1 Abra la puerta y quite los tapones en el lado opuesto de las bisagras. Con la puerta completamente abierta, quite el tornillo inferior de cada bisagra en el lado de la secadora. Inserte estos tornillos hasta la mitad en los agujeros **SUPERIORES**, de cada bisagra, en el lado opuesto (donde quitó los tapones). Aplique una presión firme para que el tornillo entre en los agujeros no perforados.



- 2 Afloje el tornillo de arriba en cada bisagra hasta la mitad en el lado de la secadora. Con una mano sosteniendo la parte superior de la puerta y con la otra sosteniendo la parte inferior, quite la puerta de la secadora levantándola hacia **ARRIBA** y hacia **AFUERA**.



- 3 Gire la puerta de 180°. Insértela en la parte opuesta de la abertura moviendo la puerta hacia **ADENTRO** y hacia **ABAJO** hasta que la bisagra superior descansa en los tornillos superiores que se colocaron en el paso 1.



- 4 Quite los tornillos restantes de cada lado de la abertura de donde quitó la puerta. Con estos tornillos, asegure cada bisagra en la parte inferior. Apriete los dos tornillos superiores de cada bisagra. Vuelva a insertar los tapones de plástico en el lado de donde se quitó la puerta.

# Cargar y usar la secadora.

Siempre siga las instrucciones del fabricante de las prendas antes de lavar.



## Consejos para clasificar y cargar

Como regla general, si las prendas se clasifican correctamente para el lavado, estarán bien clasificadas para el secado.

No añada hojas de suavizante para telas una vez que la carga esté tibia. Esto puede causar el suavizante de manchar la ropa. Las Hojas de Suavizante de Tejidos Bounce® para secadoras han sido aprobadas para todas las secadoras GE siempre que se usen de acuerdo a las instrucciones del fabricante.

**No sobrecargue.** Esto causará una desperdicia de energía y arrugas.

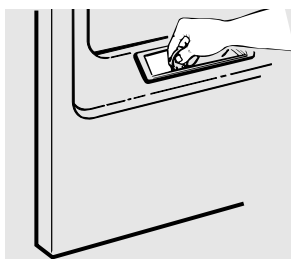
**No seque los siguientes artículos:** Artículos de fibra de vidrio, lanas, artículos conteniendo goma, plásticos, artículos con adornos de plástico y rellenos de goma.



## Cuidado y limpieza de su secadora

**El Exterior:** Limpie cualquier derrame o compuesto para lavar, con un trapo húmedo. El panel de control y los acabados pueden dañarse con algunos productos de pretratamiento de suciedad y con productos removedores de manchas. Aplique estos productos fuera de la secadora. Luego, las prendas pueden lavarse y secarse normalmente. Daños a su secadora causados por estos productos no están cubiertos bajo la garantía.

**El filtro de pelusa:** Limpie el filtro de pelusa antes de cada uso. Con los dedos humedecidos alcance en la abertura del filtro. Pase sus dedos por el filtro. Haga que un técnico capacitado aspire la pelusa de la secadora una vez al año.



**El tubo de escape:** Inspeccione y limpie el tubo de escape de la secadora por lo menos una vez al año para evitar que se obstruya. Un tubo parcialmente tapado puede alargar el tiempo de secado.

**Siga estos pasos:**

- 1 Apague el suministro eléctrico desconectando el enchufe eléctrico de la pared.
- 2 Desconecte el tubo de la secadora.
- 3 aspire el tubo de escape con la manguera del aspirador y conecte otra vez el tubo.

**La campana de escape:** Revise con un espejo que las pestañas interior de la campana se mueven con facilidad cuando la secadora está funcionando. Cerciórese que no haya vida silvestre (aves, insectos, etcétera) anidando dentro del tubo o de la campana de escape.



## Etiquetas de cuidado de telas

Abajo están "símbolos" de cuidado de telas que afectan la ropa que va lavar.

### ETIQUETAS PARA EL LAVADO

Ciclo de lavado en máquina						
	Normal	Planchado permanente/resistente a arrugas	Suave/delicado	Lavar a mano	No lave	No escurra
Temperatura del agua						
	Caliente (50°C/120°F)	Tibia (40°C/105°F)	Fría/fresca (30°C/85°F)			

### ETIQUETAS PARA EL BLANQUEADOR

Símbolos de blanqueador			
	Cualquier blanqueador (cuando se necesita)	Sólo blanqueador sin cloro (cuando se necesita)	No use blanqueador

### ETIQUETAS PARA EL SECADO

Secado por volteo						
	Secar	Normal	Planchado permanente/resistente a arrugas	Suave/delicado	No seque por volteo	No seque (usado con no lave)
Ajuste de calor						
	Alto	Medio	Bajo	Sin calor/aire		
Instrucciones especiales						
	Secar en una cuerda/colgar para secar	Dejar gotear	Secar en un sitio llano	Secar en la sombra		

Seguridad

Operación

Solucionar problemas

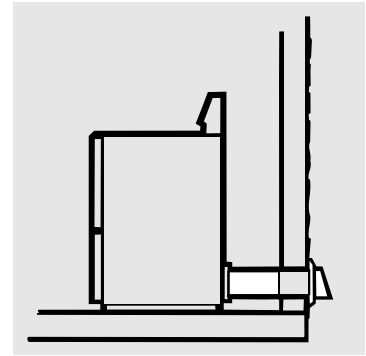
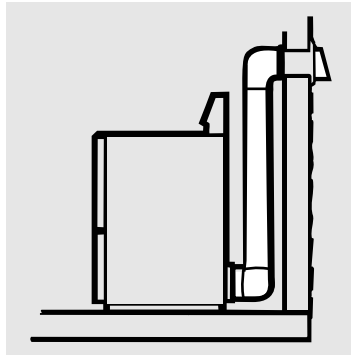
Servicio al consumidor

## Ventilación de la secadora

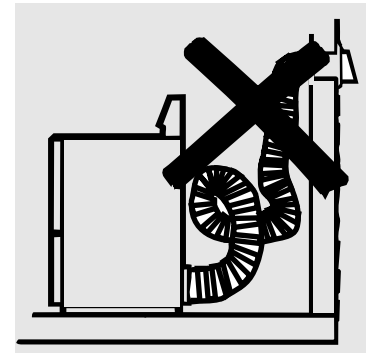
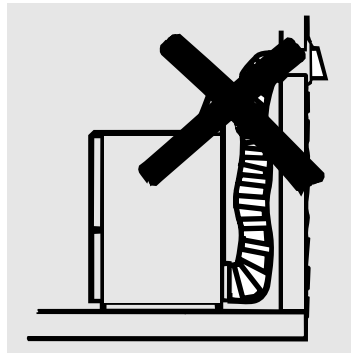
Para el mejor funcionamiento la secadora necesita ventilarse correctamente. **La secadora usará más energía y funcionará por más tiempo si la ventilación no se haga de acuerdo con las especificaciones abajo. Siga con cuidado los detalles para el tubo de escape en las Instrucciones de instalación.**

- Use sólo tubo de metal rígido o flexible de 4" de diámetro dentro el gabinete de la secadora o como salida al exterior.
- No use tubos de plástico o de otro combustibles.
- Use un largo de tubo lo más corto posible.
- No aplaste o doble.
- Evite dejar el tubo sobre objetos afilados.
- **La ventilación debe ajustarse a las normas vigentes en materia de construcción.**

**Ventilación  
correcta**



**Ventilación  
incorrecta**



## Antes de solicitar un servicio...



Solucionar problemas  
¡Ahorra tiempo y dinero! Revise primero las tablas en las siguientes páginas y tal vez no necesitará de solicitar un servicio.

Problema	Causas posibles	Qué hacer
<b>La secadora no funciona</b>	<b>La secadora está desconectada</b>	<ul style="list-style-type: none"> <li>• Vea que la clavija esté enchufada en la toma de corriente.</li> </ul>
	<b>Fusible fundido/interruptor de circuito fallando</b>	<ul style="list-style-type: none"> <li>• Revise la caja de fusibles de la casa/el interruptor de circuito y reemplace el fusible o reenciende el interruptor.</li> <li><b>NOTA:</b> La mayoría de las secadoras eléctricas usan dos fusibles/interruptores de circuito.</li> </ul>
<b>La secadora no calienta</b>	<b>Fusible fundido/interruptor de circuito fallando, la secadora se mueve pero no calienta</b>	<ul style="list-style-type: none"> <li>• Revise la caja de fusibles de la casa/el interruptor de circuito y reemplace el fusible o reenciende el interruptor.</li> </ul>
	<b>Servicio de gas cerrado</b>	<ul style="list-style-type: none"> <li>• Asegúrese que la válvula de gas de la secadora y la válvula principal de gas estén completamente abiertas.</li> </ul>
<b>La secadora se sacude o hace ruido</b>	<b>Un poco de sacudimiento/ruido es normal. La secadora no está nivelada</b>	<ul style="list-style-type: none"> <li>• Muévela en un suelo más uniforme o ajuste las patas niveladoras hasta que esté nivelada</li> </ul>
<b>Manchas grasosas en la ropa</b>	<b>Mal uso del suavizante para telas</b>	<ul style="list-style-type: none"> <li>• Siga las instrucciones en el paquete del suavizante.</li> </ul>
	<b>Secar ropa sucia con ropa limpia</b>	<ul style="list-style-type: none"> <li>• Seque artículos limpios solamente. Artículos sucios pueden manchar la ropa limpia o la secadora.</li> </ul>
	<b>La ropa no estuvo completamente limpia</b>	<ul style="list-style-type: none"> <li>• Algunas manchas que no se pueden ver en la ropa húmeda aparecen después de secar. Use procedimientos correctos de lavado antes de secar.</li> </ul>
<b>Pelusa en la ropa</b>	<b>El filtro de pelusa está lleno</b>	<ul style="list-style-type: none"> <li>• Limpie el filtro antes de cada uso.</li> </ul>
	<b>Clasificación incorrecta</b>	<ul style="list-style-type: none"> <li>• Separe las telas que producen pelusa (como la felpilla) de las que la recogen (como la pana).</li> </ul>
	<b>Electricidad estática puede atraer pelusa</b>	<ul style="list-style-type: none"> <li>• Vea las sugerencias en esta sección bajo <b>ESTÁTICA</b>.</li> </ul>
	<b>Sobrecarga</b>	<ul style="list-style-type: none"> <li>• Separe las cargas grandes en pequeñas cargas.</li> </ul>
	<b>Papel, pañuelos desechables, etc. que se quedaron en bolsillos</b>	<ul style="list-style-type: none"> <li>• Vacíe todos los bolsillos antes de lavar y secar la ropa.</li> </ul>
<b>Hay estática</b>	<b>No se usó suavizante para telas</b>	<ul style="list-style-type: none"> <li>• Use un suavizante para telas.</li> <li>• Las Hojas de Suavizante de Tejidos Bounce® para secadoras han sido aprobadas para todas las secadoras GE siempre que se usen de acuerdo a las instrucciones del fabricante.</li> </ul>
	<b>Exceso de secado</b>	<ul style="list-style-type: none"> <li>• Use un suavizante para telas.</li> <li>• Ajuste los controles para menos secado.</li> </ul>
	<b>Sintéticos, planchado permanente y mezclas pueden causar estática</b>	<ul style="list-style-type: none"> <li>• Use un suavizante para telas.</li> </ul>
<b>Inconsecuentes tiempos de secado</b>	<b>Tipo de calentamiento</b>	<ul style="list-style-type: none"> <li>• Tiempo automáticos de secado variarán de acuerdo al tipo de calentamiento usado (eléctrico, gas natural o LP), tipo de telas, humedad de las telas y estado de los tubos de escape.</li> </ul>

## Antes de solicitar un servicio...

Seguridad

Operación

Solucionar problemas

Servicio al consumidor

<b>Problema</b>	<b>Causas posibles</b>	<b>Qué hacer</b>
<b>Las prendas tardan mucho en secarse</b>	<b>Clasificación incorrecta</b>	<ul style="list-style-type: none"> <li>• Separe artículos pesados de los ligeros, (en general una carga bien clasificada para la lavadora está bien clasificada para la secadora).</li> </ul>
	<b>Cargas grandes de telas pesadas (como toallas de playa)</b>	<ul style="list-style-type: none"> <li>• Telas grandes y pesadas contienen más humedad y tardan más en secarse. Separe artículos grandes y pesados en pequeñas cargas para acelerar el tiempo de secado.</li> </ul>
	<b>Controles incorrectamente ajustados</b>	<ul style="list-style-type: none"> <li>• Ajuste los controles de acuerdo con la carga que está secando.</li> </ul>
	<b>Filtro de pelusa lleno</b>	<ul style="list-style-type: none"> <li>• Limpie el filtro antes de cada uso.</li> </ul>
	<b>Tubos de escape inadecuados o tapados</b>	<ul style="list-style-type: none"> <li>• Revise las instrucciones de instalación para tubos de escape y para la ventilación.</li> <li>• Asegúrese que los ductos estén limpios, que no estén obstruidos.</li> <li>• Revise que la ventilación hacia el exterior funciona bien.</li> <li>• Revise las instrucciones de instalación para asegurarse que la ventilación de la secadora está correcta.</li> </ul>
	<b>Fusible fundido/interruptor de circuito fallando</b>	<ul style="list-style-type: none"> <li>• Reemplace los fusibles o reenciende los interruptores de circuito. Ya que la mayoría de las secadoras usan dos fusibles y interruptores asegúrese que ambos funcionan.</li> </ul>
	<b>Sobrecarga/ combinación de cargas</b>	<ul style="list-style-type: none"> <li>• No ponga más de una carga de la lavadora en la secadora al mismo tiempo.</li> </ul>
<b>Cargas muy pequeñas</b>	<ul style="list-style-type: none"> <li>• Si está secando sólo uno o dos artículos, añada algunos más para asegurarse que la secadora funciona bien.</li> </ul>	
<b>Ropa arrugada</b>	<b>Exceso de secado</b>	<ul style="list-style-type: none"> <li>• Seleccione un tiempo de secado más breve.</li> <li>• Quite la ropa cuando tiene muy poca húmeda.</li> </ul>
	<b>Dejar la ropa en la secadora cuando el ciclo ya terminó</b>	<ul style="list-style-type: none"> <li>• Quite la ropa cuando termine el ciclo y dóblela o cuélguelas inmediatamente.</li> </ul>
<b>Las prendas encogen</b>	<b>Algunas telas encogen naturalmente cuando se lavan. Otras pueden lavarse sin riesgo pero encogeran en la secadora</b>	<ul style="list-style-type: none"> <li>• Para evitar encogeramiento siga la instrucciones del fabricante de las prendas.</li> <li>• Algunos artículos pueden recuperar sus formas después desecarse.</li> <li>• Si cree que un artículo en particular puede encoger, no lo lave en lavadora ni lo seque en secadora.</li> </ul>



**Notas.**

---

**Seguridad**

**Operación**

**Solucionar problemas**

**Servicio al consumidor**

# Garantía de la secadora GE (Para los consumidores en los Estados Unidos)



Todos los servicios los proporcionan nuestros centros de fábrica o nuestros prestadores Customer Care® autorizados. Para solicitar servicio, llame a 800-GE-CARES.

Seguridad

Durante:	GE reemplazará:
<b>Un año</b> A partir de la fecha de compra original	<b>Cualquier parte</b> de la secadora que falle debido a un defecto de fabricación o de mano de obra. Durante este <b>año de garantía completa</b> GE también proporcionará <b>sin costo</b> , mano de obra y servicio en su hogar para reemplazar las partes defectuosas.
<b>Cinco años</b> A partir de la fecha de compra original	<b>Un tambor más grande o de más capacidad</b> que falle debido a un defecto de fabricación o de mano de obra. Usted será responsable de todos los costos de mano de obra o de servicio en su casa durante el período de <b>garantía limitada por cuatro años adicionales</b> .

Operación

## Lo que GE no cubrirá

- Viajes de servicio a su hogar para enseñarle cómo usar el producto.
- Una instalación incorrecta.
- Fallas del producto si hay abuso, mal uso, o uso para otros propósitos que los propuestos, o uso para fines comerciales.
- Reemplazo de fusibles de su hogar o reajuste de interruptores de circuito.
- Daño al producto causado por accidente, fuego, inundaciones, o actos de Dios.
- Daño incidental o consecuencial a su propiedad causado por posibles defectos con el aparato.

Esta garantía se extiende al comprador original y a cualquier propietario que lo suceda para el caso de productos comprados para uso doméstico normal en los Estados Unidos. En Alaska, usted tendrá que pagar el flete del producto o los costos de viaje del técnico de servicio hasta su hogar. Algunos estados no permiten la exclusión o limitación de daños incidentales o consecuenciales. Esta garantía le proporciona derechos legales específicos, y puede tener otros derechos que pueden variar de un estado a otro. Para conocer los derechos legales de su estado, consulte con su oficina local de asuntos del consumidor o al procurador general de su estado.

Solucionar problemas

**Garantidor: General Electric Company. Louisville, KY 40225**

Servicio al consumidor

## Números de servicio.

---



### *GE Answer Center® En los EE.UU.: 800.626.2000*

---

El GE Answer Center® está abierto las 24 horas del día, los 7 días de la semana.



### *Reparaciones en su hogar En los EE.UU.: 800-432-2737*

---

Para reparar su aparato GE, sólo llame por teléfono.



### *Necesidades especiales En los EE.UU.: 800.626.2000*

---

**TDD 800-TDD-GEAC (800-833-4322)**

GE le ofrece, sin costo, un folleto de ayuda en planear cocinas para personas limitadas en su movilidad. **En los EE.UU., llame 800-TDD-GEAC (800-833-4322).**



### *Contratos de servicio En los EE.UU.: 800-626-2224*

---

Compre un contrato GE antes de que su garantía expire, y recibirá un descuento considerable. Así el servicio al consumidor GE estará allí aún después de que expire su garantía.



### *Partes y accesorios En los EE.UU.: 800-626-2002*

---

Las personas calificadas para dar servicio a sus aparatos pueden recibir partes y accesorios a sus hogares (se aceptan VISA, MasterCard y Discover).

**Las instrucciones de mantenimiento para el usuario que contiene este manual, le puede realizar cualquier usuario. Otro tipo de servicios los deberá ejecutar un personal calificado. Tenga precaución, un servicio inadecuado puede ser causa de peligros en la operación.**



### *Servicio satisfactorio*

---

Si no quedara satisfecho con el servicio GE:

**Primero**, contacte las personas que le dieron servicio.

**Después**, si sigue insatisfecho, **en los EE.UU.**, escriba todos los detalles—incluso su número de teléfono— a: Manager, Customer Relations, GE Appliances, Appliance Park, Louisville, KY 40225.

## Service Telephone Numbers.



### GE Answer Center® In the U.S.: 800.626.2000

The GE Answer Center® is open 24 hours a day, 7 days a week.

**In Canada**, contact: Manager, Consumer Relations, Camco Inc., 1 Factory Lane, Suite 310, Moncton, N.B., E1C 9M3.

**OR**

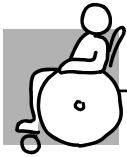
Visit our Website at: [www.geappliances.com](http://www.geappliances.com)



### In-Home Repair Service In the U.S.: 800-432-2737

Expert GE repair service is only a phone call away.

**In Canada**, call 1-800-361-3400.



### Special Needs Service In the U.S.: 800.626.2000

GE offers, free of charge, a brochure to assist in planning a barrier-free kitchen for persons with limited mobility. **In the U.S., call 800-TDD-GEAC (800-833-4322).**

**In Canada**, contact: Manager, Consumer Relations, Camco Inc., 1 Factory Lane, Suite 310, Moncton, N.B., E1C 9M3.



### Service Contracts In the U.S.: 800-626-2224

Purchase a GE service contract while your warranty is still in effect and you'll receive a substantial discount. GE Consumer Service will still be there after your warranty expires.

**In Canada**, call 1-800-461-3636.



### Parts and Accessories In the U.S.: 800-626-2002

Individuals qualified to service their own appliances can have parts or accessories sent directly to their homes (VISA, MasterCard and Discover cards are accepted).

**Instructions contained in this manual cover procedures to be performed by any user. Other servicing generally should be referred to qualified service personnel. Caution must be exercised, since improper servicing may cause unsafe operation.**

**In Canada**, call 1-800-361-3400.



### Service Satisfaction

If you are not satisfied with the service you receive from GE:

**First**, contact the people who serviced your appliance.

**Next**, if you are still not pleased, **in the U.S.**, write all the details—including your phone number—to: Manager, Customer Relations, GE Appliances, Appliance Park, Louisville, KY 40225; or, **in Canada**, to Director, Consumer Relations, Camco Inc., 1 Factory Lane, Suite 310, Moncton, N.B., E1C 9M3.