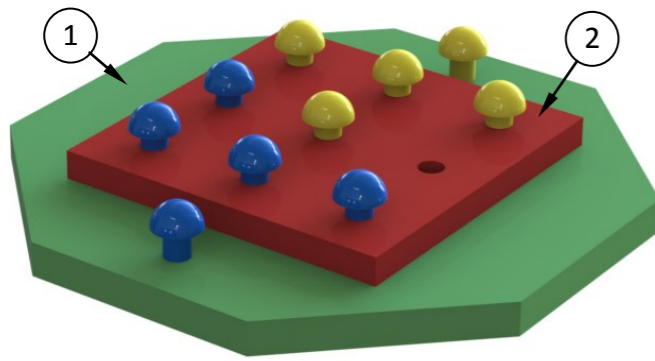


Tic - Tac - Toe Game Activity Sheet



Activity 1.

Complete the parts list using the detail drawings below.

Part No.	Material	Overall Size
1	Acrylic	
2	Acrylic	

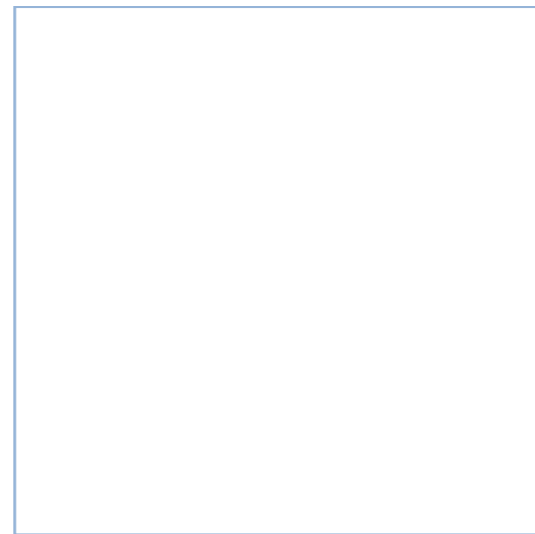
Having completed this project I will be able to;

- Identify the overall dimensions of both parts.
- Mark out both pieces using the information given.
- Inscribe an octagon in a given square.
- Identify the parts of the pillar drill and state the function of each part.
- Drill holes accurately and safely in a piece of acrylic.
- List the steps required to achieve a polished edge on a piece of perspex.



Activity 3.

Inscribe the largest possible octagon in the square provided.



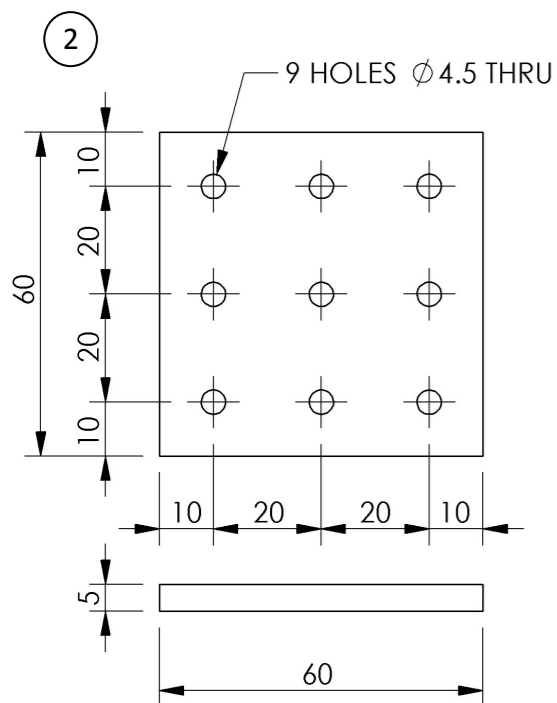
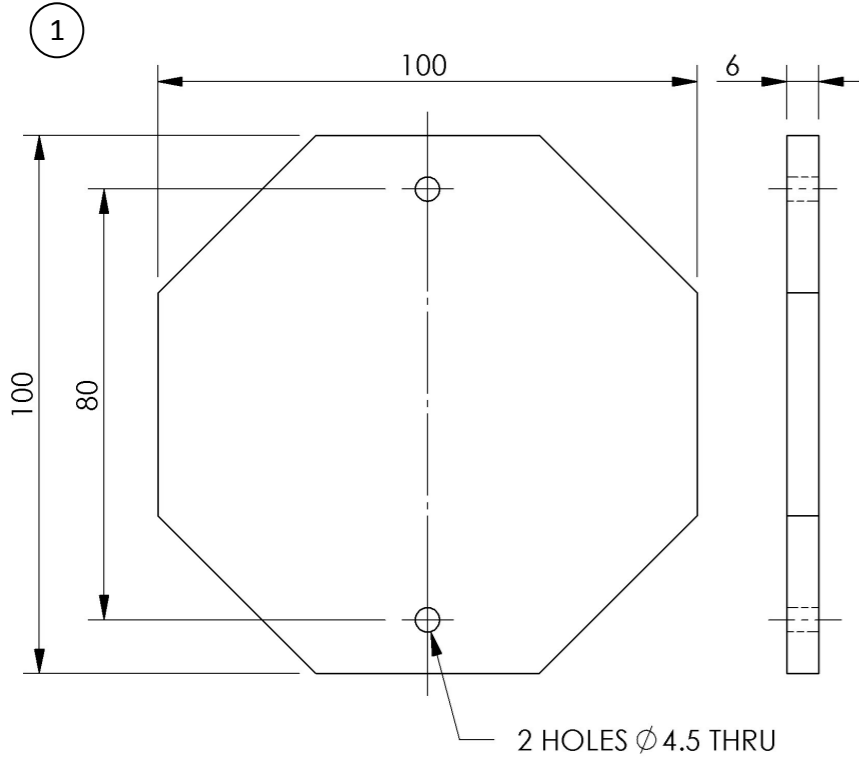
Activity 2.

Fill in the label for each shape by selecting from the list



1. _____ 2. _____ 3. _____ 4. _____ 5. _____

- Pentagon
- Square
- Hexagon
- Triangle
- Rectangle



Activity 4.

The parts of a Pillar Drilling Machine are labelled opposite. Fill in the blanks below listing the part number, name and function of each part.

No.	Name	Function
1	Base	Strong and heavy, to make the drilling machine stable
	Pillar	
5		
	Chuck	
7		To enable a number of blind holes to be drilled to the same depth.
	Feed Lever	
3		
		To stop the drill in case of an emergency
2		



Activity 5.

List two safety precautions to be taken when using the drilling machine

- _____
- _____



Activity 6.

Acrylic is a *brittle* material. Explain the meaning of term *brittle*.

Brittle: _____

Name another material that is brittle. _____



Activity 7.

List the steps required to achieve a polished edge on a piece of acrylic.



Activity 8.

In the space provided, make a neat freehand sketch of an alternative design for the pins of the Tic - Tac - Toe Game.



Activity 9. Two Stars & a Wish



