

# Paper Template for Preparing a Paper for the International Journal of Research in Engineering and Advanced Technology

First-Name Last-Name<sup>1</sup>, First-Name Last-Name<sup>2</sup> and First-Name Last-Name<sup>3</sup>

<sup>1</sup> Department, University/Institute/Company Name,  
City, State ZIP/Zone, Country  
*Email address*

<sup>2</sup> Department, University/Institute/Company Name,  
City, State ZIP/Zone, Country  
*Email address*

<sup>3</sup> Department, University/Institute/Company Name,  
City, State ZIP/Zone, Country  
*Email address*

## Abstract

The abstract should summarize the content of the paper. Try to keep the abstract below 150 words. Do not have references or displayed equations in the abstract. It is imperative that the margins and style described below be adhered to carefully. This will enable us to maintain uniformity in the final printed copies of the Journal. Papers not made according these guidelines will not be published although its content has been accepted for publication. Paper form is a necessary condition for its publication, as well as its content.

**Keywords:** *Author Guide, Article, Camera-Ready Format, Paper Specifications, Paper Submission.*

## 1. Introduction

The text must be in English. Authors whose English language is not their own are certainly requested to have their manuscripts checked (or co-authored) by an English native speaker, for linguistic correctness before submission and in its final version, if changes had been made to the initial version. The submitted typeset scripts of each contribution must be in their final form and of good appearance because they will be printed directly. The document you are reading is written in the format that should be used in your paper.

This document is set in 10-point Times New Roman. If absolutely necessary, we suggest the use of condensed line spacing rather than smaller point sizes. Some technical formatting software print mathematical formulas in italic type, with subscripts and superscripts in a slightly smaller font size. This is acceptable.

## 2. Headings and Footnotes

Major headings are to be column centered in a bold font without underline. They need be numbered. "2. Headings and Footnotes" at the top of this paragraph is a major heading.

### 2.1 Subheadings

Subheadings should be as the above heading "2.1 Subheadings". They should start at the left-hand margin on a separate line.

The top of this paragraph illustrates a sub-subheading.

**Title:** The title should be centered across the top of the first page and should have a distinctive font of 18 points Century. It should be in a bold font and in lower case with initial capitals.

**Authors' Names and Addresses:** The authors' names and addresses should be centered below the title. These lines should be 9 points Times New Roman.

**Keywords:** From 4 to 6 keywords should follow the abstract (as a subheading: *Key words*, of the Abstract).

**Illustrations or pictures:** All illustrations or pictures should be clear black and white/color prints. Supply the best quality illustrations or pictures possible.

### 3. Tables, Figures and Equations

#### 3.1 Tables and Figures

To insert “Tables” or “Figures”, please paste the data as stated below. All tables and figures must be given sequential numbers (1, 2, 3, etc.) and have a caption placed below the figure (“FigCaption”) or above the table (“FigTalbe”) being described, using 8pt font and please make use of the specified style “caption” from the drop-down menu of style categories

Table 1: Margin specifications

<i>Margin</i>	<i>A4 Paper</i>	US Letter Paper
Left	18.5 mm	14.5 mm (0.58 in)
Right	18mm	13 mm (0.51 in)

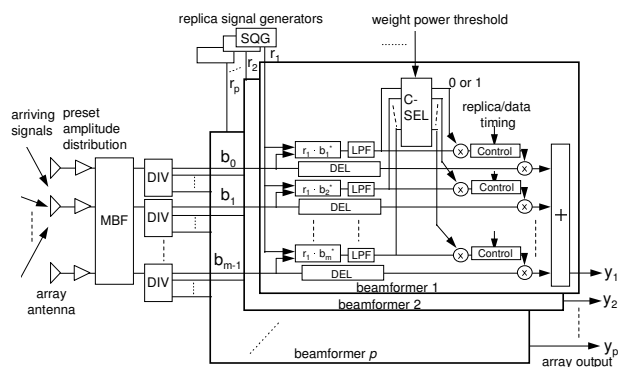


Fig. 1 Proposed beam former.

#### 3.2 Equations

All equations must be typed or written neatly in black. They should be numbered consecutively throughout the text. Equation numbers should be enclosed in parentheses and flushed right. Equations should be referred to as Eq. (X) in the text where X is the equation number. In multiple-line equations, the number should be given on the last line.

$$\begin{aligned}
 y_i(N) &= \sum_{n=0}^{m-1} w_n(N) b_n(N) \\
 &= \sum_{n=0}^{m-1} b_n^*(N) r_i(N) \cdot b_n(N)
 \end{aligned} \tag{1}$$

### 4. Conclusions

The better your paper looks, the better the Journal looks. Thanks for your cooperation and contribution.

### Appendix

Appendices, if needed, appear before the acknowledgment.

### Acknowledgments

Insert acknowledgment, if any. Sponsor and financial support acknowledgments are also placed here.

### References

- [1] A. A. Name, and B. B. Name, Book Title, Place: Press, Year.
- [2] A. Name, and B. Name, "Journal Paper Title", Journal Name, Vol. X, No. X, Year, pp. xxx-xxx.
- [3] A. Name, "Dissertation Title", M.S.(or Ph.D.) thesis, Department, University, City, Country, Year.
- [4] A. A. Name, "Conference Paper Title", in Conference Name, Year, Vol. x, pp. xxx-xxx.