

SPECIFICATIONS

Interior

CYLINDER



5440 LED

DELANO

Type:

Project:

Qty:

Construction

Solid brass with etched opal or hand-painted faux alabaster acrylic diffuser.

Source

LED lumen packages provide both direct and indirect illumination in 3000K, 3500K or 4000K color temperature options. Components are designed to be serviceable and replaceable. CRI > 83.

Optics

Advanced FA Optical System optimized for LED source and specific to luminaire distribution, size and shape. Optional LED downlight provides a directional 21° spot or 43° flood distribution. LED downlight is 4000 lumens.

Electrical

LED light engine consists of modular LED boards and 0-10V dimming driver rated for 50,000 hours at 25°C ambient temperature. Driver wattage is dependent on luminaire size. eldoLED solodrive power supply integrally mounted. Modular boards and drivers are available for replacement or service.

Dimming

The eldoLED 0-10V dimming driver produces a linear dimming curve from 100% to 0.1%.

Controls

Optional intelligence allows for constant lumen management and facilitate simple networking and control via CAT-5e cable.

Environment

UL and cUL listed for interior dry location use. Ambient operating temperature 0°C to 30°C.

Finish

Polished Brass or Polished Nickel plated. Consult factory for custom finishes.

Warranty

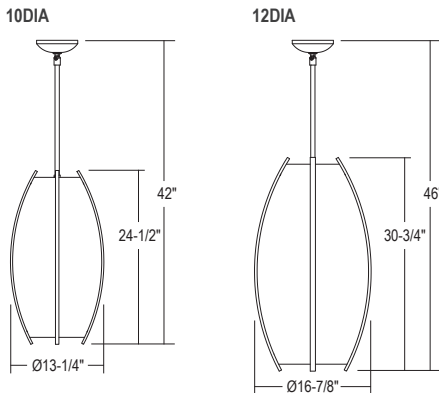
5-year limited warranty. Complete warranty terms located at www.acuitybrands.com/CustomerResources/Terms_and_conditions.aspx

Actual performance may differ as a result of end-user environment and application.

All values are design or typical values, measured under laboratory conditions at 25 °C.

Source	Wattage	Nominal Lumens (delivered)
LCP1A	45	2155
LCP3A	66.5	3185
LCP4A	111.7	4514

Note: Representative family (4800) luminaire tested at 30K. Specific finishes, diffuser materials, and color temperatures will affect actual results.



CATALOG NUMBER

Example: **WFP5440 10DIA LCP1A 30K MVOLT N80 OAE PB**

Series	Diameter	Source	Color Temperature	Voltage	Electrical Option
WFP5440 Delano Cylinders Series	10DIA 10 Inch Nominal Diameter	LCP1A LED Cylinder 1	30K 3000K CCT 35K 3500K CCT 40K 4000K CCT	MVOLT Multi Volt 120V thru 277V	N80 nLight Enabled Module (80% Constant Lumen Management) N100 nLight Enabled Module
	12DIA 12 Inch Nominal Diameter	LCP3A LED Cylinder 3 LCP4A LED Cylinder w/ Downlight 4			

Lens	Finish	Special	Describe Modification:	Notes	Weight
OAE Opal Acrylic Etched FAH4 White Vein Hand Painted Faux Alabaster FAH5 Antique Hand Painted Faux Alabaster (Beige) FAH6 Gray Vein Hand Painted Faux Alabaster FAH7 Beige Vein Hand Painted Faux Alabaster	PB Polished Brass PN Polished Nickel CPF* Custom Paint Finish CMF* Custom Metal Finish	MOD* Modification / Consult Factory		<ul style="list-style-type: none"> Winona Lighting products are union made. Custom sizes and finishes available upon request. <p>*Available by modification only. Consult factory.</p>	<p>WFP5440-10DIA - 20 lbs. WFP5440-12DIA - 25 lbs.</p> <p>Note: All pendants over 50 lbs require additional hanging support.</p>