

SPECIFICATIONS

Interior

RAPHAEL

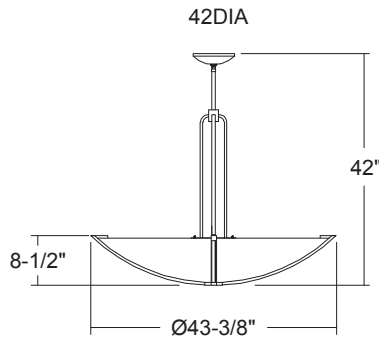
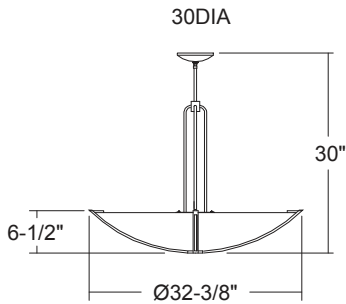


5000
APOLLO

Type:

Project:

Qty:



Warranty

1-year limited warranty. Complete warranty terms located at www.acuitybrands.com/CustomerResources/Terms_and_conditions.aspx

Actual performance may differ as a result of end-user environment and application.

CATALOG NUMBER

Example: **WFP5000 30DIA 4/60A19 120 OAE BA**

Series	Diameter	Source	Voltage	Lens	Finish	Special
WFP5000 Apollo Raphael Series	30DIA 30 Inch Nominal Diameter	4/60A19 (4) 60w A19/Medium 4/26DTT (4) 26w Quad Tube/G24q3	120 120V 277 277V 347* 347V	OAE Opal Acrylic Etched FAH4 White Vein Hand Painted Faux Alabaster	BA Brushed Aluminum LBP Light Bronze Paint CPF* Custom Paint Finish CMF* Custom Metal Finish	MOD* Modification / Consult Factory
	42DIA 42 Inch Nominal Diameter	8/60A19 (8) 60w A19/Medium 4/42TRT (4) 42w Triple Tube/GX24q4 8/42TRT (8) 42w Triple Tube/GX24q4		FAH5 Antique Hand Painted Faux Alabaster (Beige) FAH6 Gray Vein Hand Painted Faux Alabaster FAH7 Beige Vein Hand Painted Faux Alabaster		

Describe Modification:

Notes

Weight

- UL listed and cUL approved.
- Winona Lighting products are union made.
- Custom Sizes and Finishes available upon request.
- All Fluorescent fixtures available in 120V and 277V.
- Winona Lighting reserves the right to make design changes without prior notice.
- Lamps not included.

4/60A19, 4/26DTT-WFP5000-30DIA	30lbs
8/60A19-WFP5000-42DIA	40lbs
4/42TRT-WFP5000-42DIA	45lbs
8/42TRT-WFP5000-42DIA	46lbs

* Available by modification only. Consult factory.