
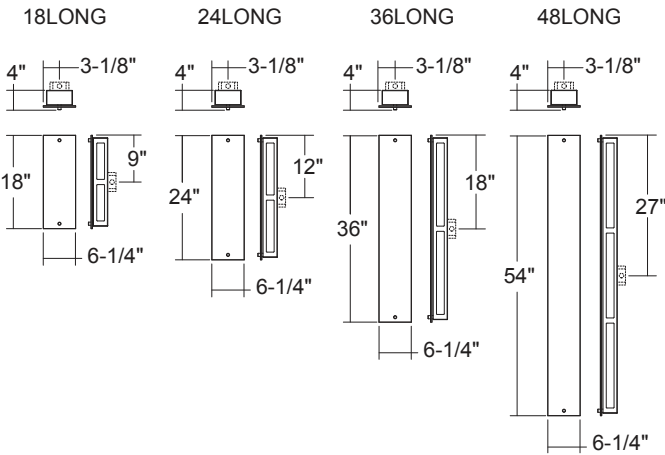


SPECIFICATIONS	Interior	PANELS
	<h1>5622</h1> <p>BARMONT</p>	Type: Project: Qty:

ADA



Warranty

1-year limited warranty. Complete warranty terms located at www.acuitybrands.com/CustomerResources/Terms_and_conditions.aspx

Actual performance may differ as a result of end-user environment and application.

CATALOG NUMBER

Example: WFW5622 18LONG 1/27TT 120 WLG BA

Series	Length	Source	Voltage	Lens	Finish	Special
WFW5622 Barmont Panels Series	18LONG 18 Inch Nominal Length	1/27TT (1) 27w Twin Tube/2G11 2/14T5 (2) 14w T5/Mini BiPin 2/21T5 (2) 21w T5/Mini BiPin 2/28T5 (2) 28w T5/Mini BiPin	120 120V 277 277V 347* 347V	WLG White Laminated Glass	BA Brushed Aluminum LBP Light Bronze Paint CPF* Custom Paint Finish CMF* Custom Metal Finish	MOD* Modification / Consult Factory
	24LONG 24 Inch Nominal Length					
	36LONG 36 Inch Nominal Length					
	48LONG 48 Inch Nominal Length					

Describe Modification:

Notes

- UL listed and cUL approved.
- Winona Lighting products are union made.
- Custom Sizes and Finishes available upon request.
- All Fluorescent fixtures available in 120V and 277V.
- Winona Lighting reserves the right to make design changes without prior notice.
- Lamps not included.
- *Available by modification only. Consult factory.

Weight

1/27TT-WFW5622-18LONG	7lbs
2/14T5-WFW5622-24LONG	7lbs
2/21T5-WFW5622-36LONG	18lbs
2/28T5-WFW5622-48LONG	22lbs