
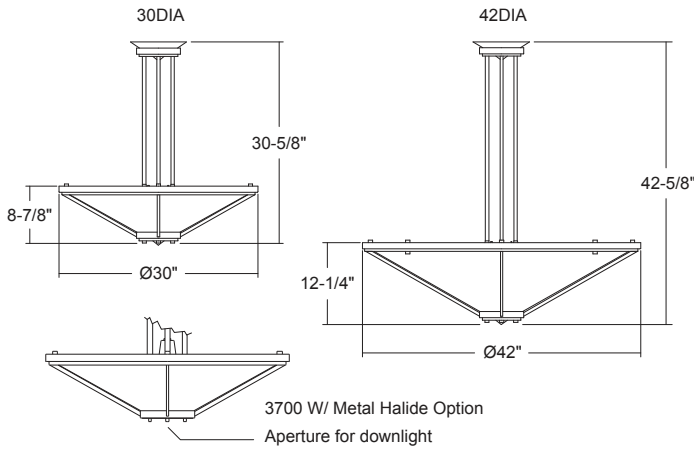


SPECIFICATIONS	Interior	AARON
	<h1 style="margin: 0;">3700</h1> <h2 style="margin: 0;">CONCORD</h2>	Type: Project: Qty:



Warranty
1-year limited warranty. Complete warranty terms located at www.acuitybrands.com/CustomerResources/Terms_and_conditions.aspx

Actual performance may differ as a result of end-user environment and application.

CATALOG NUMBER

Example: WFP3700 30DIA 1/M100ED17 120 RMB OAE BA

Series	Diameter	Source	Voltage	Power Source Location	Lens
WFP3700 Concord Aaron Series	30DIA 30 Inch Nominal Diameter	4/60A19 (4) 60w A19/Medium 4/13DTT (4) 13w Quad Tube/G24q1 4/26DTT (4) 26w Quad Tube/G24q3 2F39/2F18 (2) 39w Twin Tube Up/2G11 (Uplight) & (2) 18w Twin Tube Down/2G11 (Bowl Illum.) 1/M100ED17 (1) 100w ED17 Metal Halide/Medium 1/M175ED17 (1) 175w ED17 Metal Halide/Medium	120 120V 277 277V 347* 347V	RMB Remote Mount Ballast (Available with Metal Halide source only) SMB Surface Mount Ballast	OAE Opal Acrylic Etched FAH4 White Vein Hand Painted Faux Alabaster FAH5 Antique Hand Painted Faux Alabaster (Beige) FAH6 Gray Vein Hand Painted Faux Alabaster FAH7 Beige Vein Hand Painted Faux Alabaster
	42DIA 42 Inch Nominal Diameter	8/60A19 (8) 60w A19/Medium 4/42TRT (4) 42w Triple Tube/GX24q4 4F39/2F27 (4) 39w Twin Tube Up/2G11 (Uplight) & (2) 27w Twin Tube Down/2G11 (Bowl Illum.) 4F40/2F27 (4) 40w Twin Tube Up/2G11 (Uplight) & (2) 27w Twin Tube Down/2G11 (Bowl Illum.) 4F50/2F27 (4) 50w Twin Tube Up/2G11 (Uplight) & (2) 27w Twin Tube Down/2G11 (Bowl Illum.) 4F55/2F27 (4) 55w Twin Tube Up/2G11 (Uplight) & (2) 27w Twin Tube Down/2G11 (Bowl Illum.) 1/M175ED28 (1) 175w ED28/BT28 Metal Halide/Mogul 1/M250ED28 (1) 250w ED28/BT28 Metal Halide/Mogul 1/M400ED28 (1) 400w ED28/BT28 Metal Halide/Mogul 6F39/2F27 (6) 39w Twin Tube Up/2G11 (Uplight) & (2) 27w Twin Tube Down/2G11 (Bowl Illum.)			

Finish	Special	Describe Modification:	Notes	Weight
BA Brushed Aluminum LBP Light Bronze Paint CPF* Custom Paint Finish CMF* Custom Metal Finish	MOD* Modification / Consult Factory		<ul style="list-style-type: none"> UL listed and cUL approved. Winona Lighting products are union made. Custom Sizes and Finishes available upon request. All Fluorescent fixtures available in 120V and 277V. Winona Lighting reserves the right to make design changes without prior notice. Lamps not included. 	4/60A19-WFP3700-30DIA 20lbs 4/13DTT, 4/26DTT-WFP3700-30DIA 30lbs 2F39/2F18-WFP3700-30DIA 45lbs 1/M100ED17, 1/M175ED17-WFP3700-30DIA 34lbs 8/60A19-WFP3700-42DIA 32lbs 4/26DTT, 4/42TRT-WFP3700-42DIA 40lbs ALL UPLIGHT/BOWL LAMPS IN WFP3700-42DIA 65lbs ALL METAL HALIDE LAMPS IN WFP3700-42DIA 50lbs

*Available by modification only. Consult factory.